



US00D477665S

(12) **United States Design Patent**
Myrman et al.

(10) **Patent No.:** **US D477,665 S**

(45) **Date of Patent:** **** Jul. 22, 2003**

(54) **INHALER**

(74) *Attorney, Agent, or Firm*—Young & Thompson

(75) Inventors: **Mattias Myrman**, Stockholm (SE);
Michael Mattsson, Göteborg (SE)

(57) **CLAIM**

The ornamental design for an inhaler, as shown and described.

(73) Assignee: **Microdrug AG**, Hergiswil NW (CH)

(**) Term: **14 Years**

DESCRIPTION

(21) Appl. No.: **29/162,170**

FIG. 1 is a top, front and perspective view of the design for an inhaler;

(22) Filed: **Jun. 12, 2002**

FIG. 2 is a right side elevational view thereof;

(51) **LOC (7) Cl.** **29-02**

FIG. 3 is a left side elevational view thereof;

(52) **U.S. Cl.** **D24/110**

FIG. 4 is a bottom plan view thereof;

(58) **Field of Search** D24/110; 128/203.15,
128/203.21, 200.14, 200.23

FIG. 5 is a top plan view thereof;

FIG. 6 is a rear elevational view thereof;

FIG. 7 is a front elevational view thereof;

FIG. 8. is a top, front and perspective view thereof in an open condition;

(56) **References Cited**

U.S. PATENT DOCUMENTS

D443,689 S * 6/2001 Myrman et al. D24/110
6,422,236 B1 * 7/2002 Nilsson et al. 128/203.15

FIG. 9. is a left side elevational view in an open condition;

FIG. 10. is a right side elevational view thereof in an open condition;

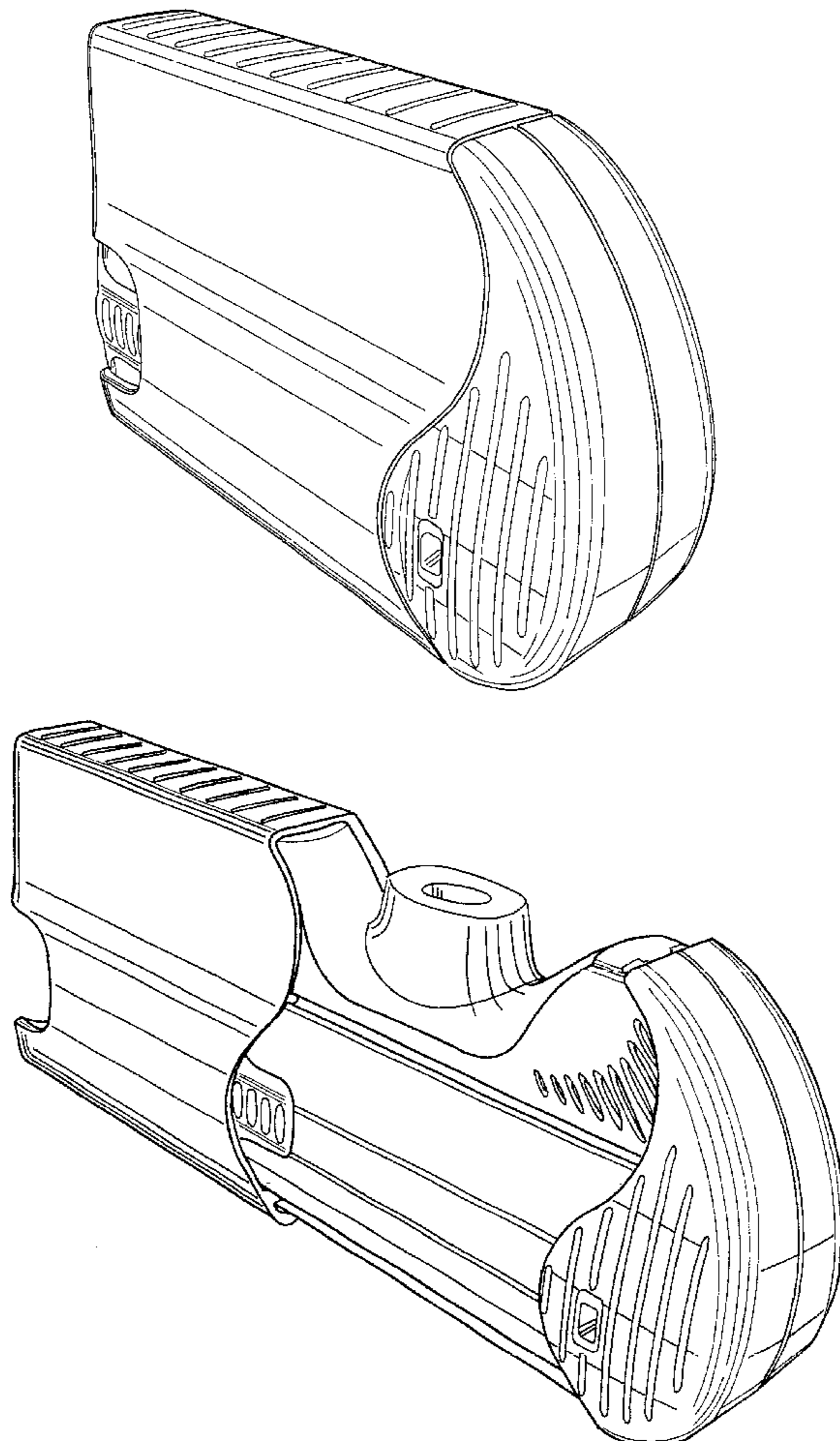
FIG. 11. is a top plan view thereof in an open condition; and,

FIG. 12. is a bottom plan view thereof in an open condition.

* cited by examiner

Primary Examiner—Ian Simmons

1 Claim, 7 Drawing Sheets



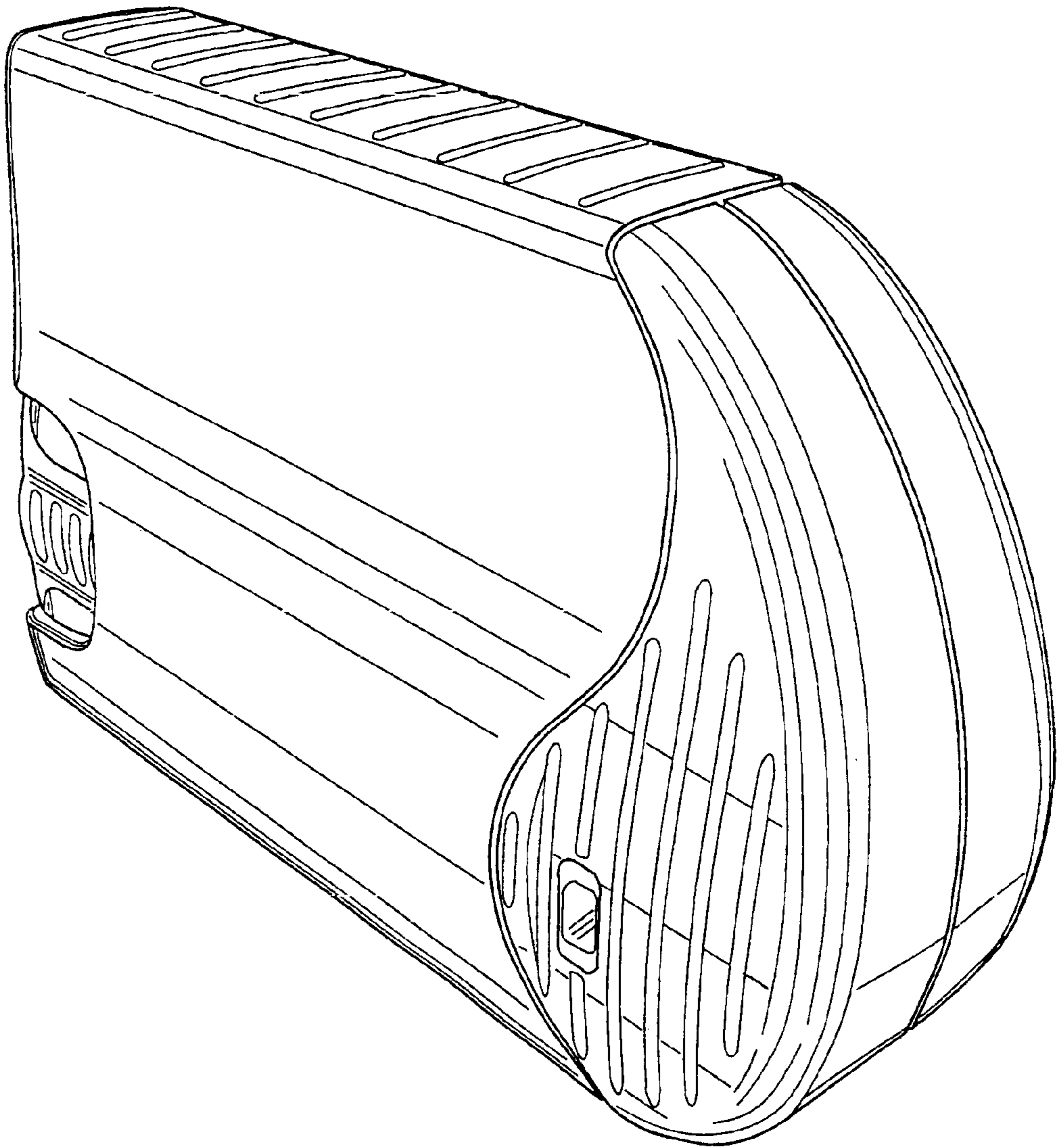


FIG. 1

FIG. 2

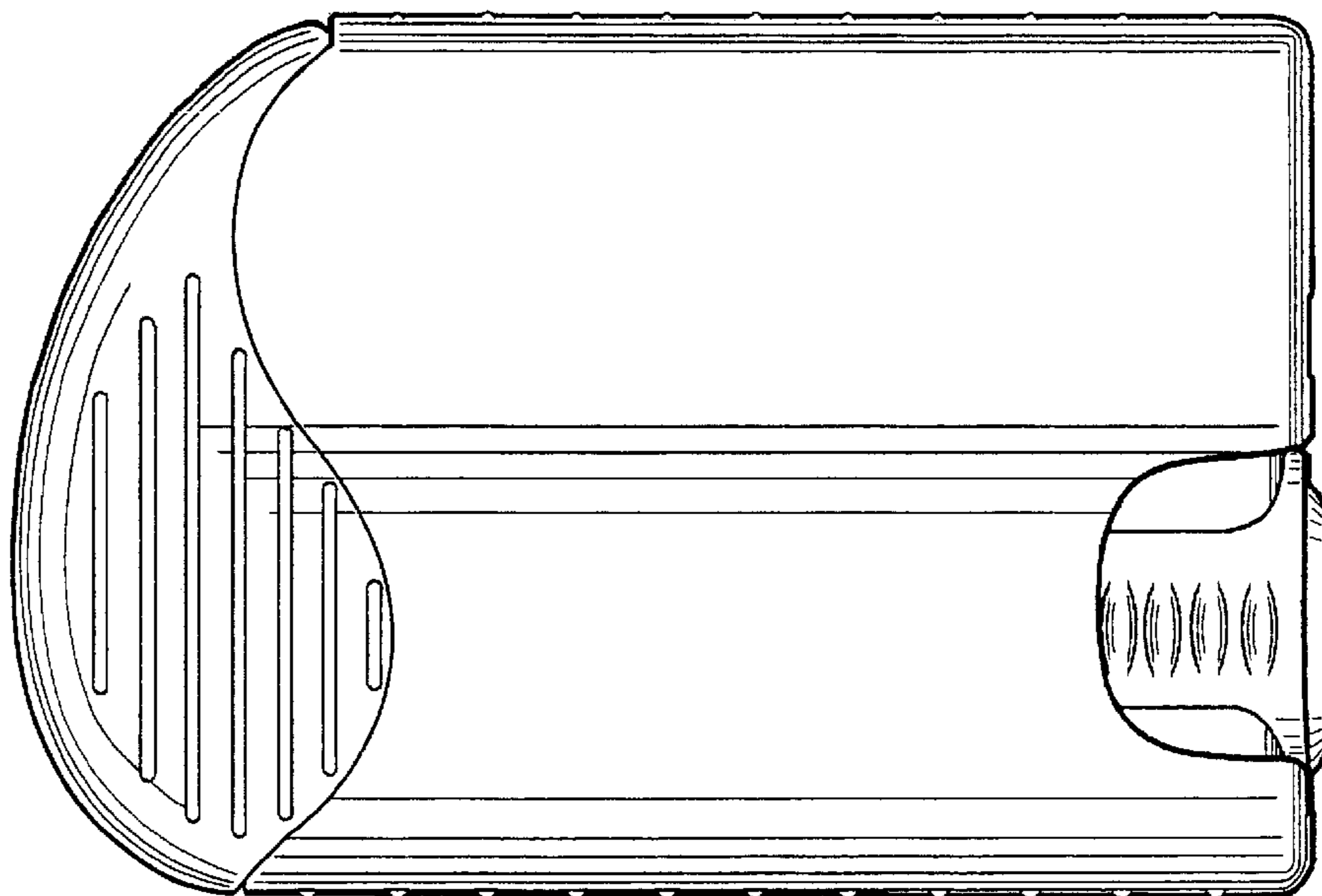
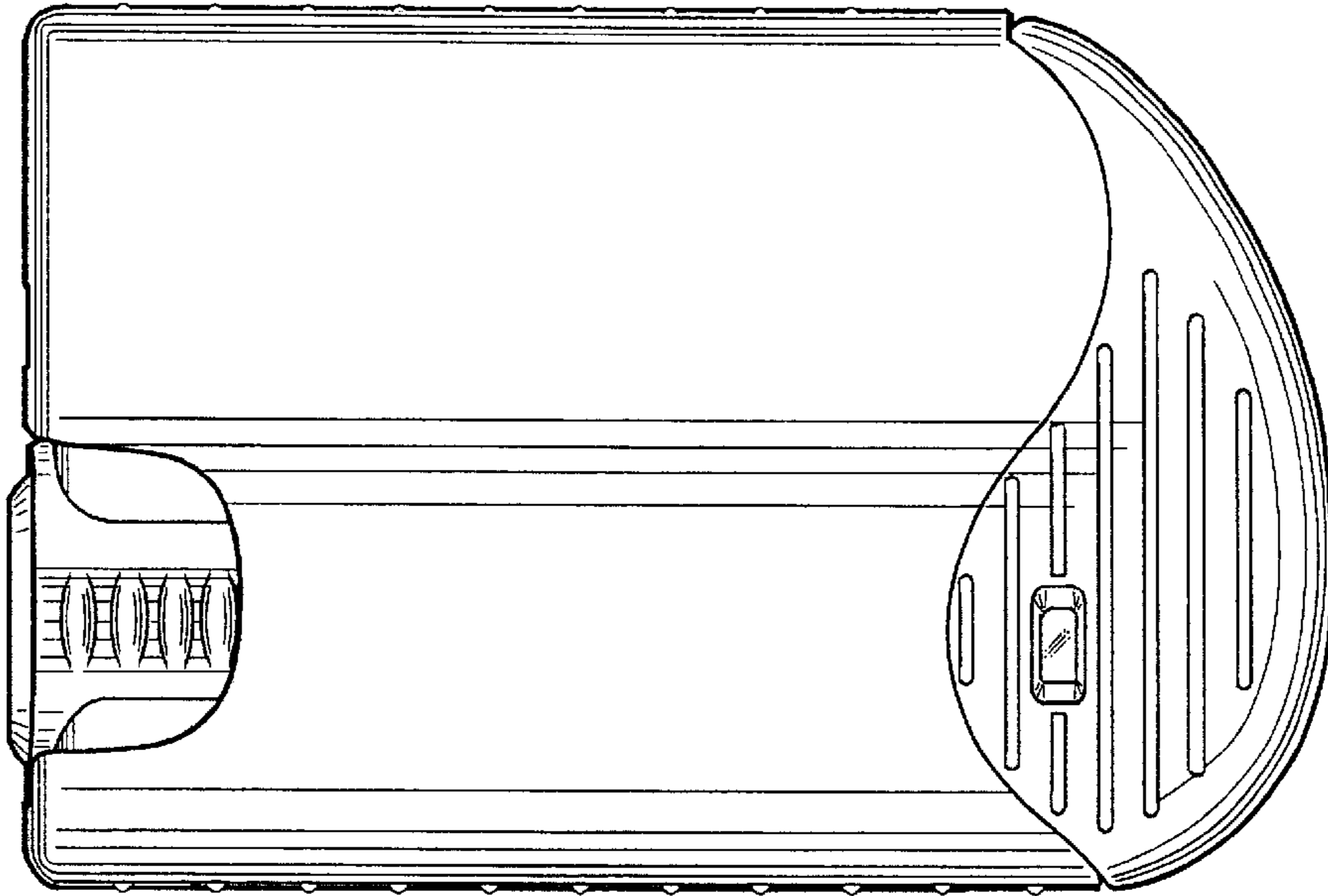


FIG. 3

FIG. 4

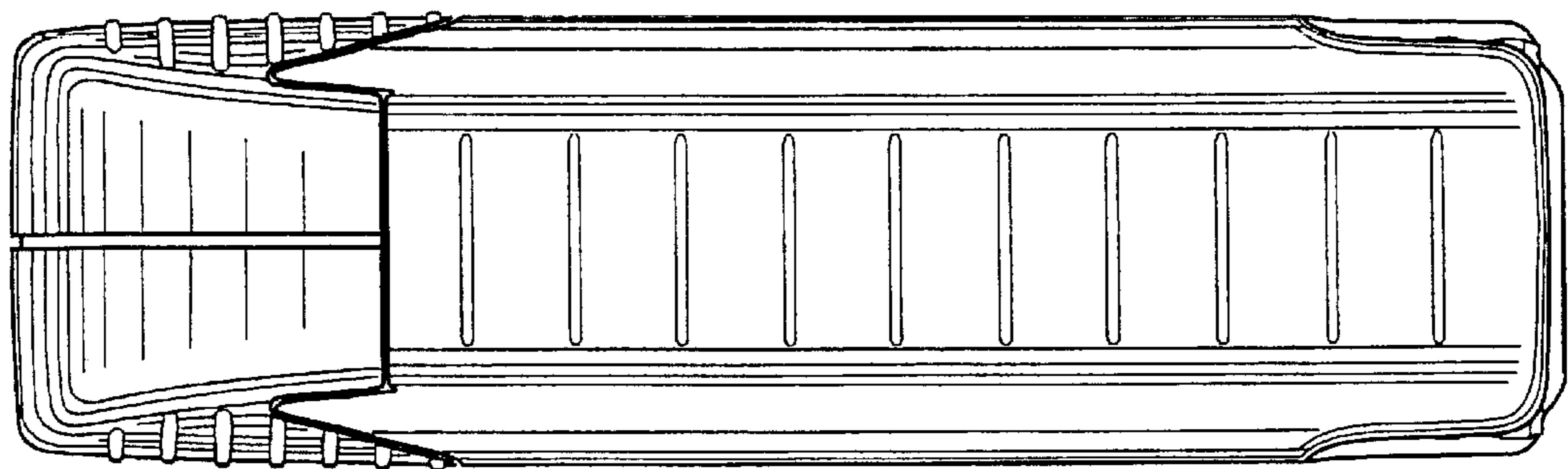
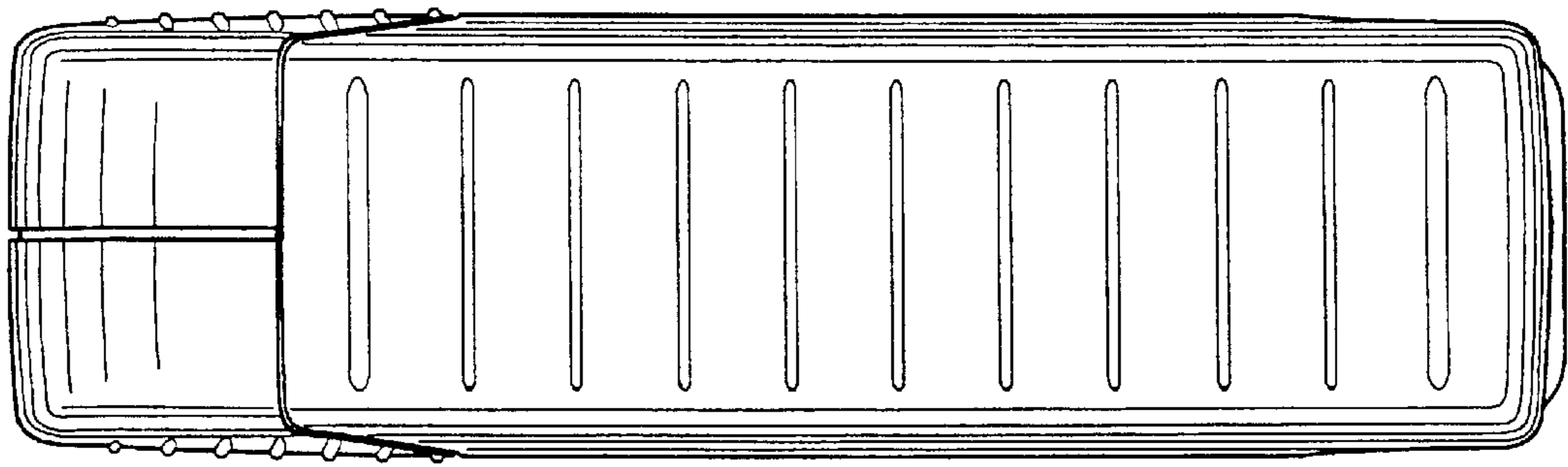


FIG. 5

FIG. 7

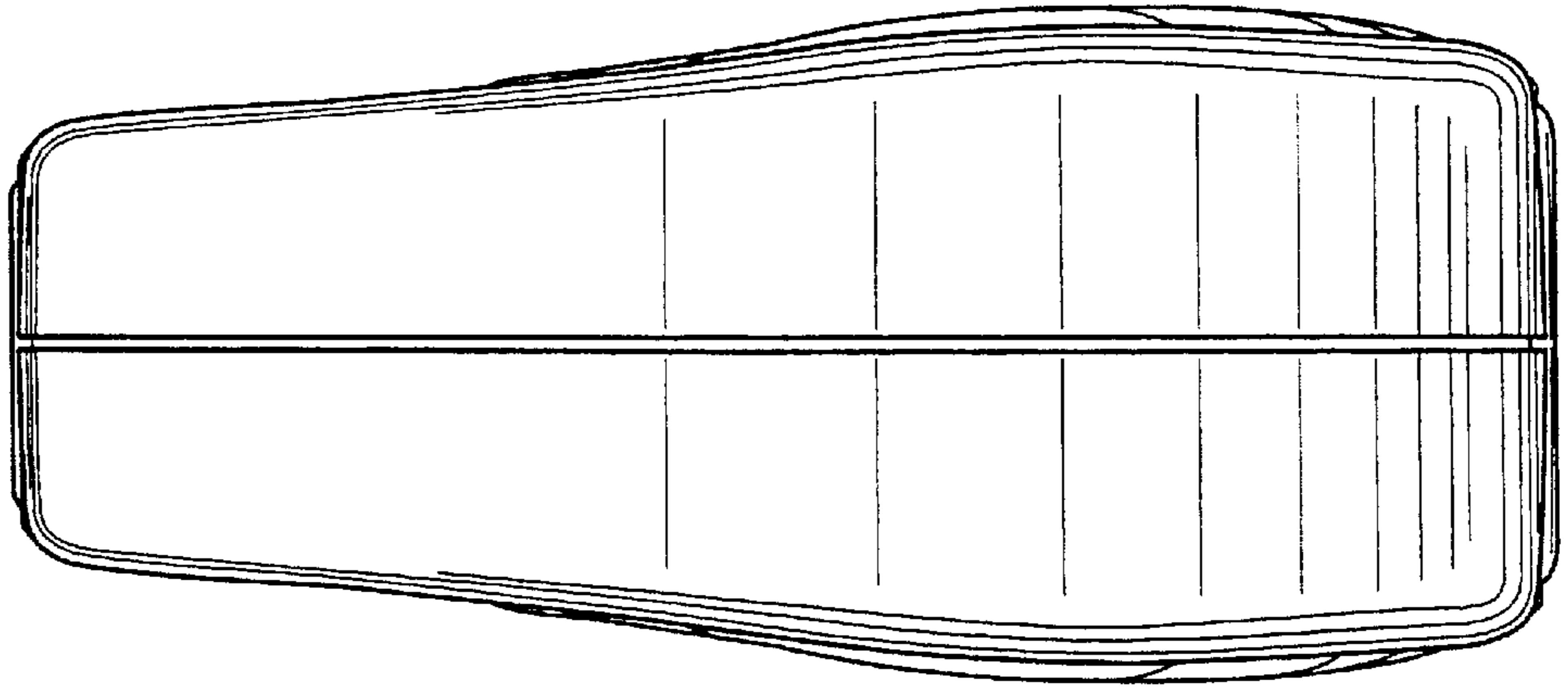
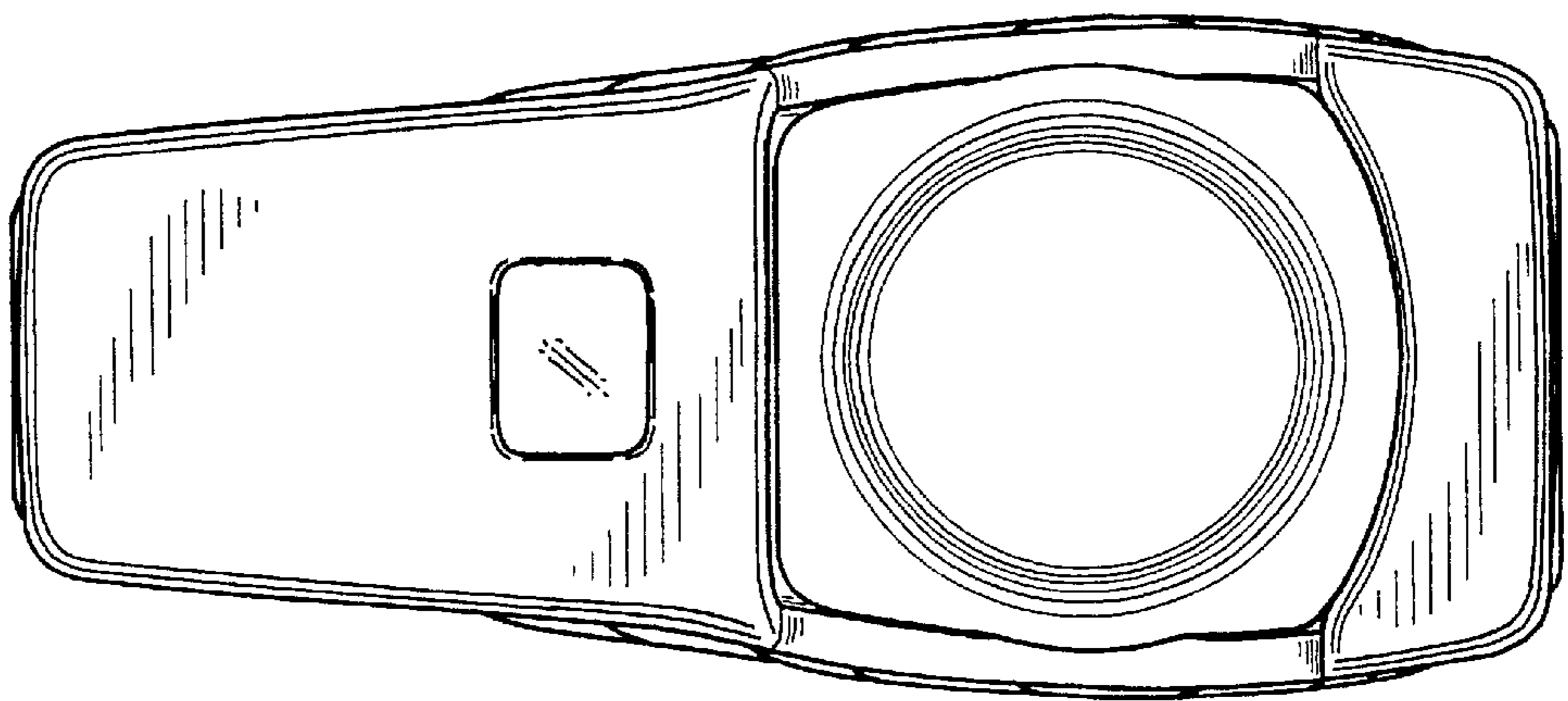


FIG. 6



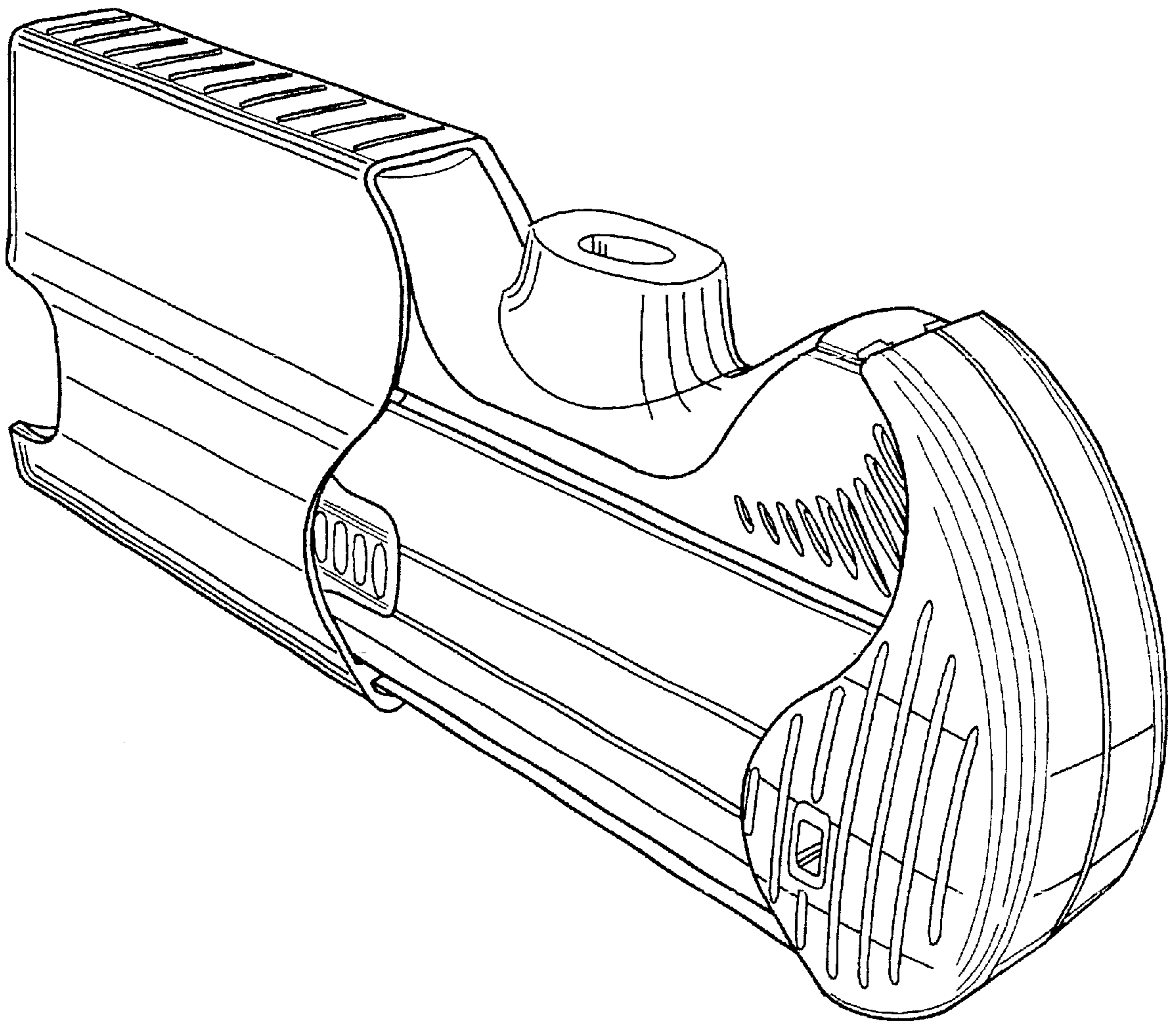


FIG. 8

FIG. 9

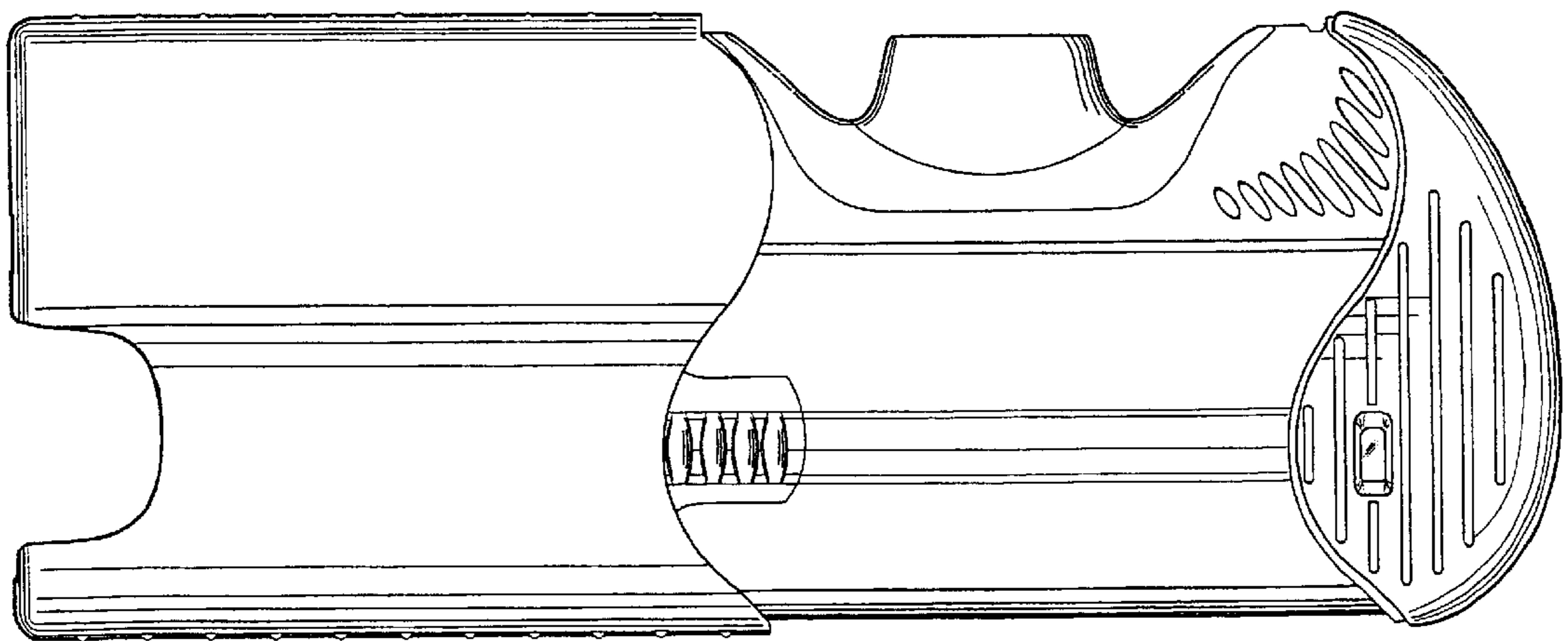
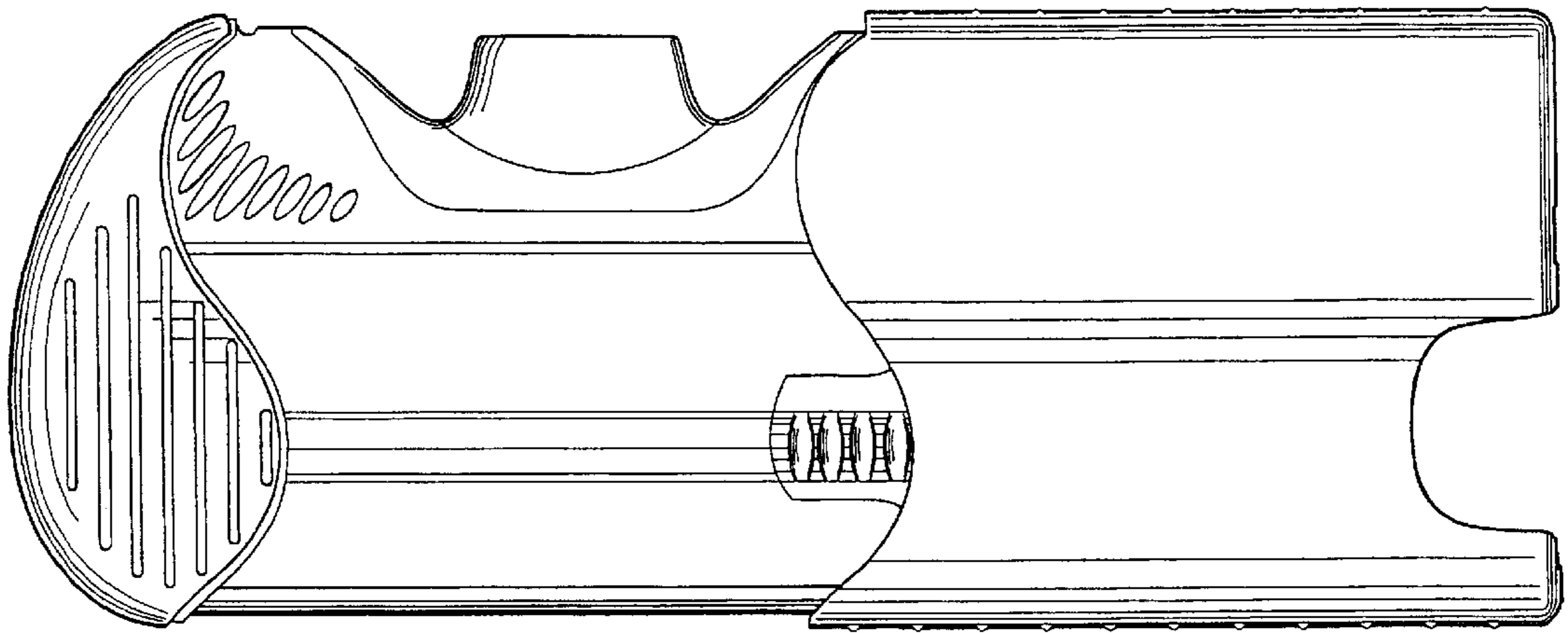


FIG. 10

FIG. 12

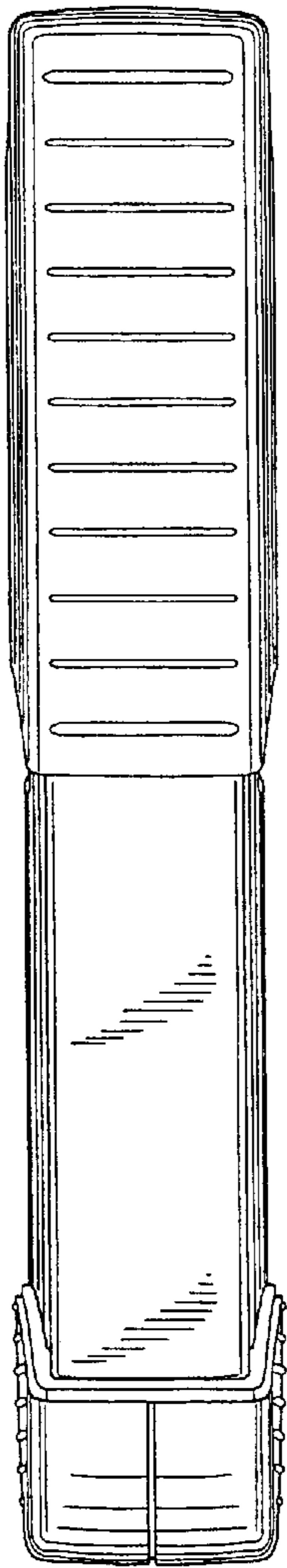


FIG. 11

