



US00D477661S

(12) **United States Design Patent**
Pinchuk

(10) **Patent No.:** **US D477,661 S**

(45) **Date of Patent:** **** Jul. 22, 2003**

(54) **MINI TOWER FAN**

(75) **Inventor:** **Rene C. Pinchuk**, Kensington, CA (US)

(73) **Assignee:** **Sharper Image Corporation**, San Francisco, CA (US)

(**) **Term:** **14 Years**

(21) **Appl. No.:** **29/167,301**

(22) **Filed:** **Sep. 11, 2002**

(51) **LOC (7) Cl.** **23-04**

(52) **U.S. Cl.** **D23/378**

(58) **Field of Search** D23/378, 370,
D23/381, 332, 337, 335; 392/365, 367;
415/53.1-53.3; 416/244 R, 247 R

(56) **References Cited**

U.S. PATENT DOCUMENTS

D434,131 S * 11/2000 Fok D23/381
D460,548 S * 7/2002 Melwani D23/378

OTHER PUBLICATIONS

“THE SHARPER IMAGE” catalog, published by Sharper Image Corporation The Gift Catalog 2002, p. 73.
Webpage download on Nov. 18, 2002 from www.sharper-image.com/us/en/catalog/productview.jhtml?&sku=SI649TNM.

“MERCEDES” vol. XI published by Mercedes-Benz of North America, Inc. in 1983, p. 11, Desk fan; Reinhold Weiss.

* cited by examiner

Primary Examiner—Lisa Lichtenstein

(74) *Attorney, Agent, or Firm*—Fliesler Dubb Meyer & Lovejoy LLP

(57) **CLAIM**

The ornamental design for a mini tower fan, as shown and described.

DESCRIPTION

FIG. 1 is a top perspective view of a mini tower fan showing my new design;

FIG. 2 is a bottom perspective view thereof;

FIG. 3 is a front view thereof;

FIG. 4 is a rear view thereof;

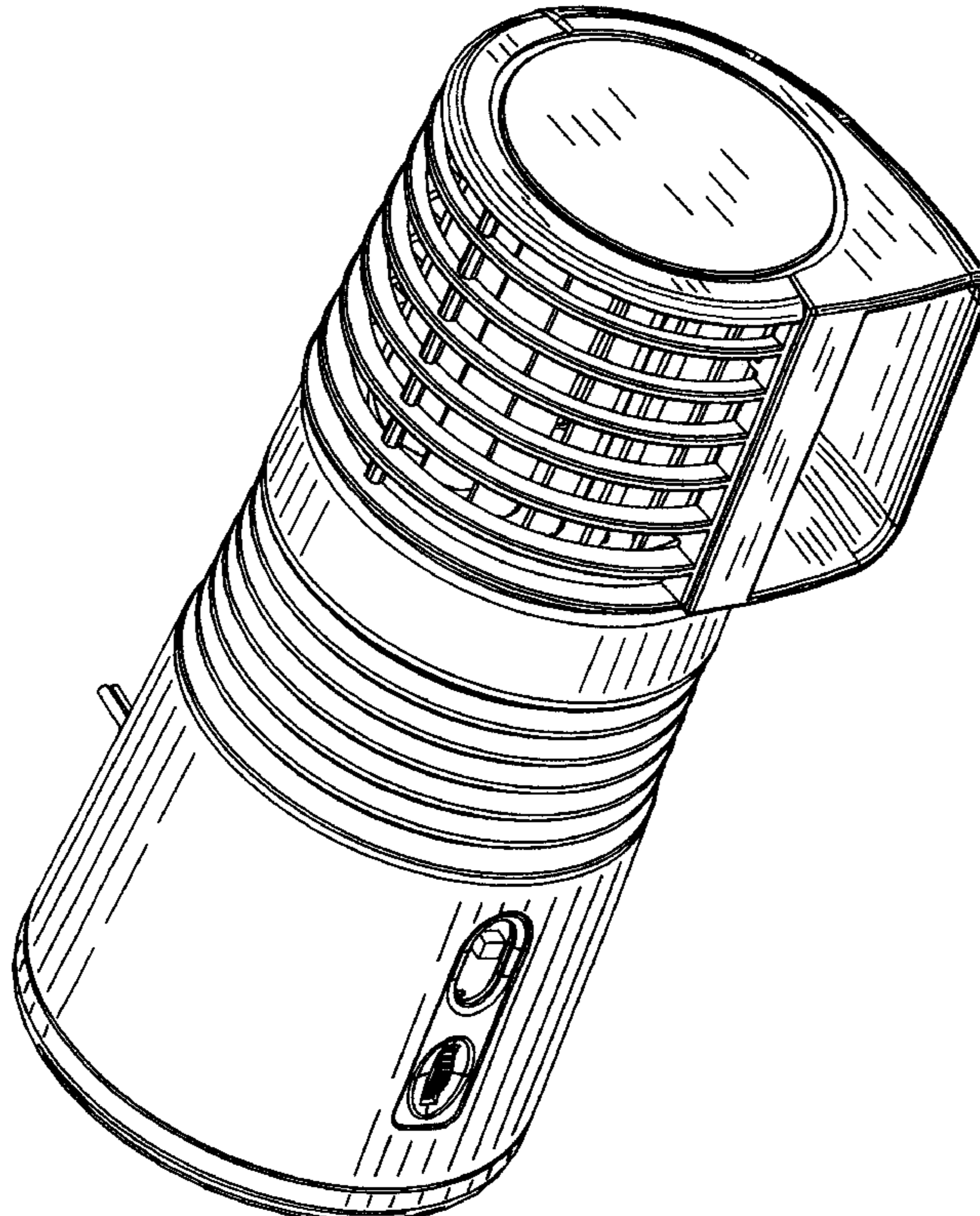
FIG. 5 is a top view thereof;

FIG. 6 is a bottom view thereof;

FIG. 7 is a left side view thereof; and,

FIG. 8 is a right side view thereof.

1 Claim, 4 Drawing Sheets



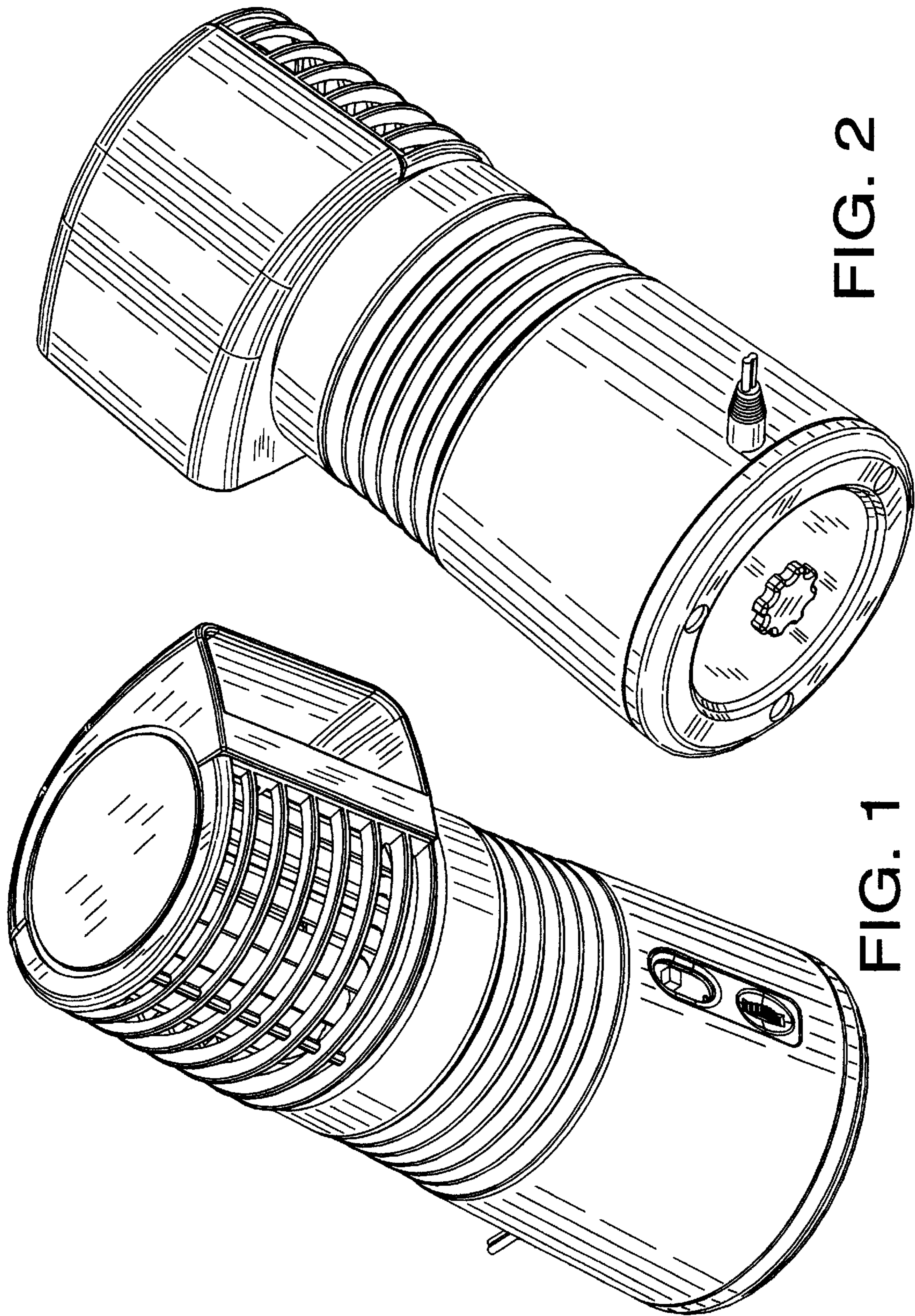


FIG. 2

FIG. 1

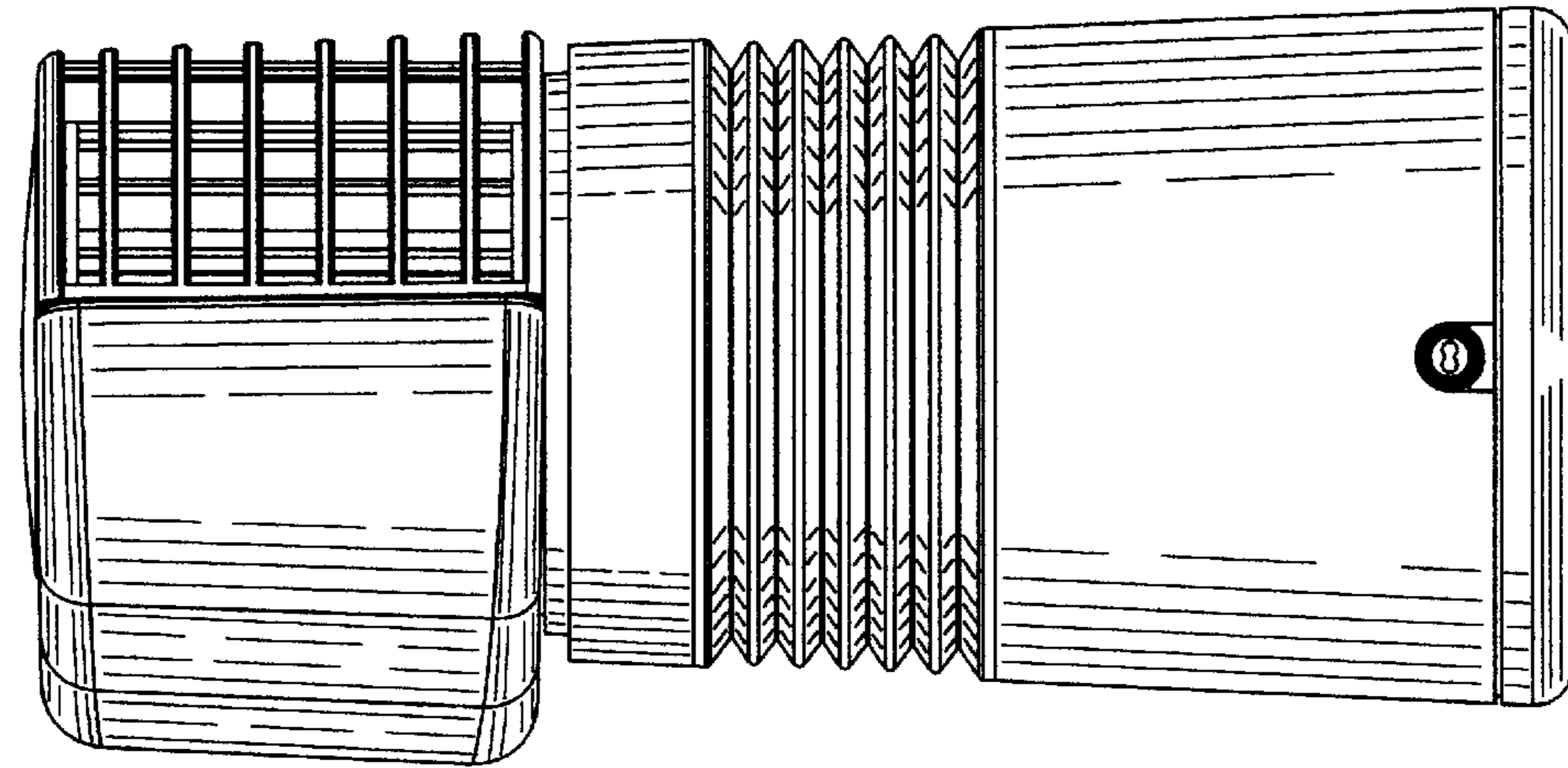


FIG. 4

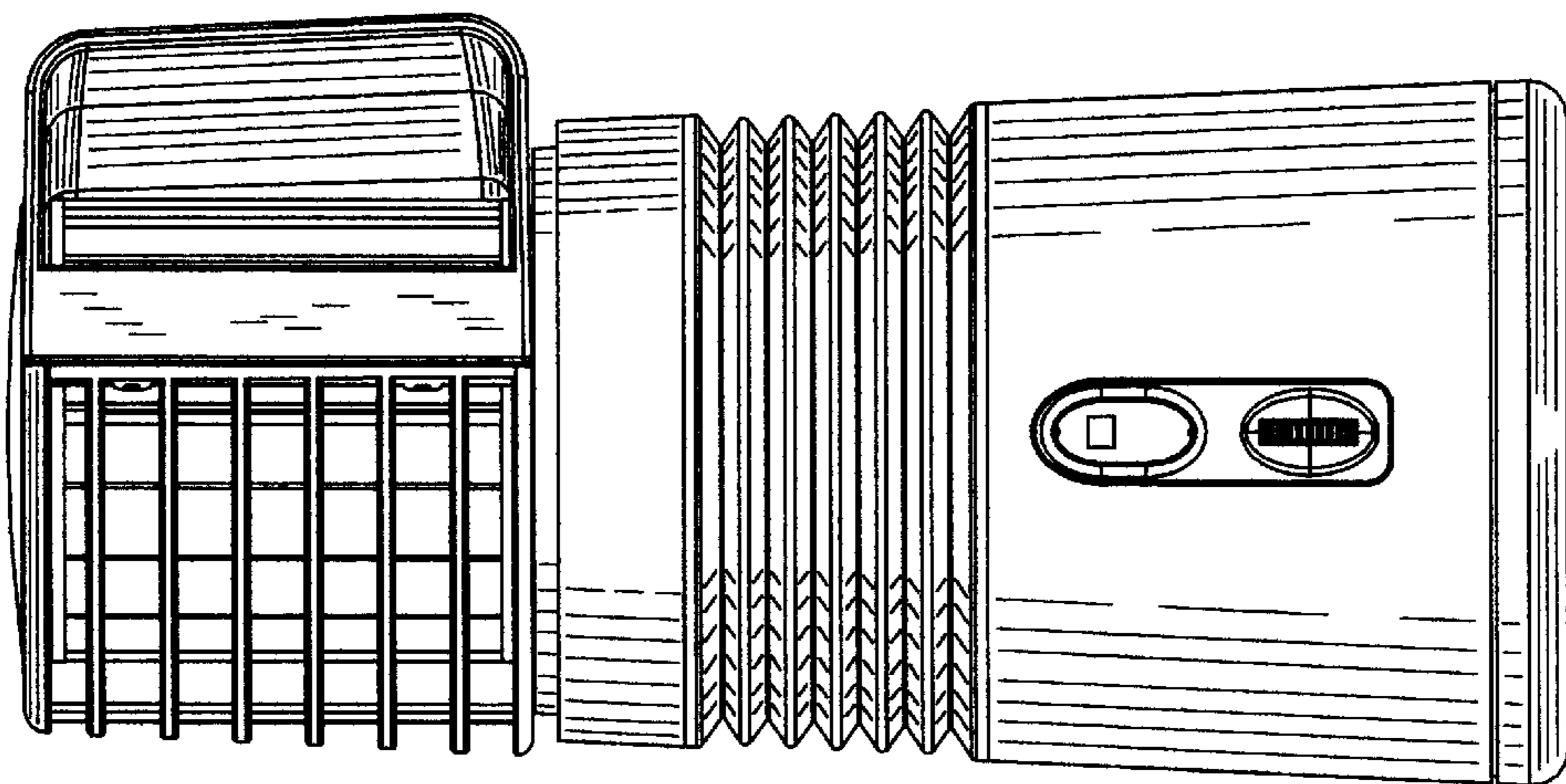


FIG. 3

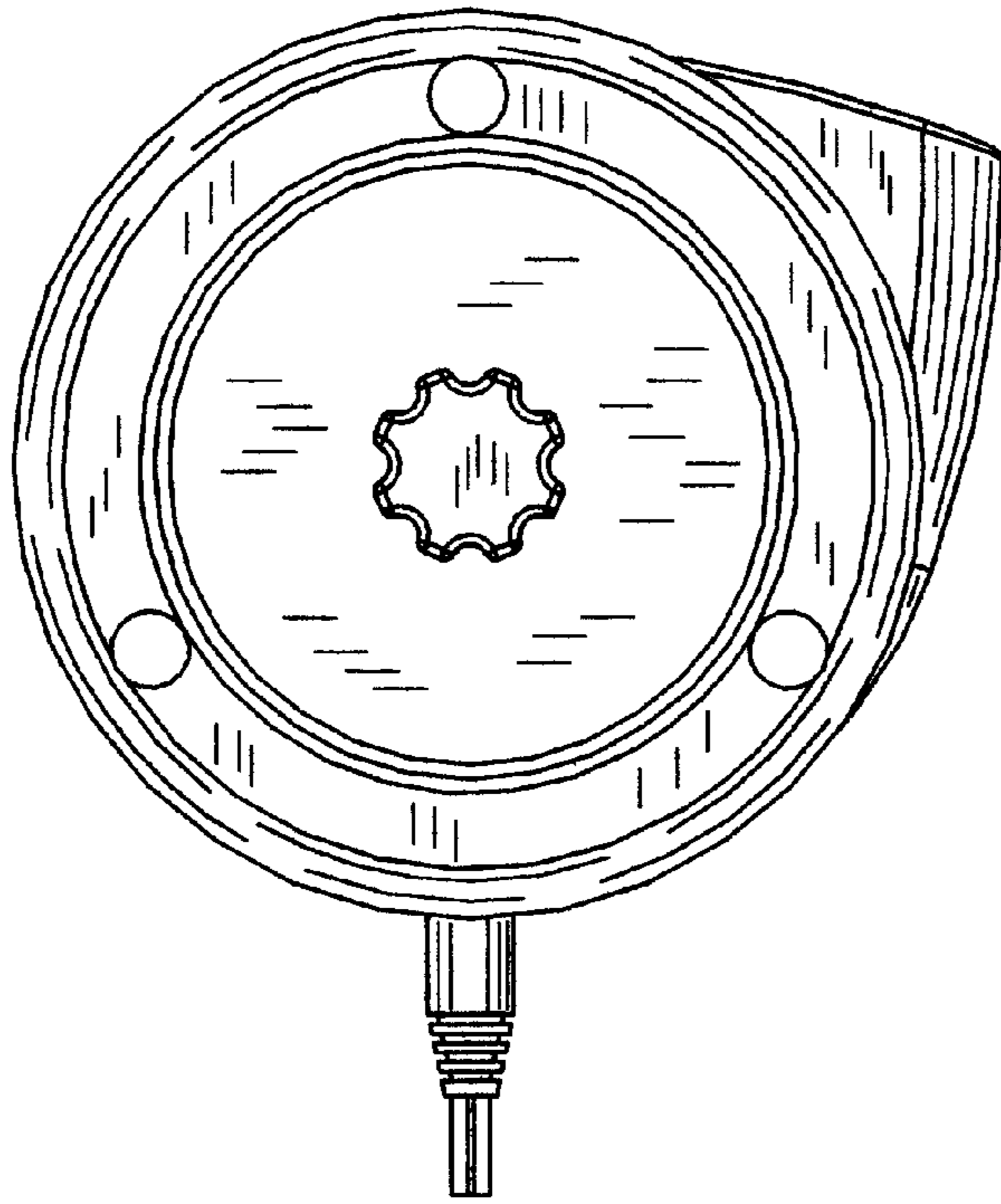


FIG. 5

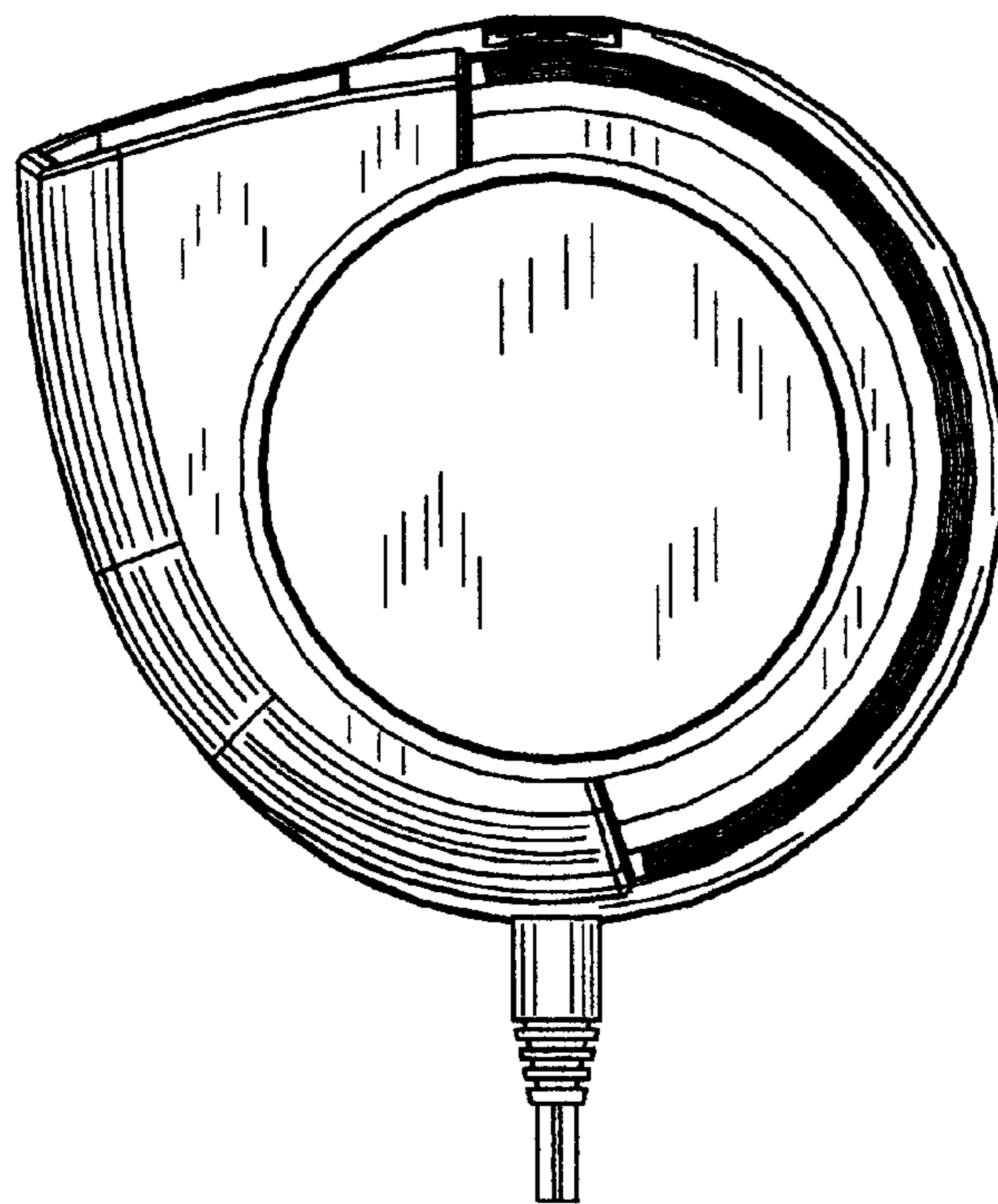


FIG. 6

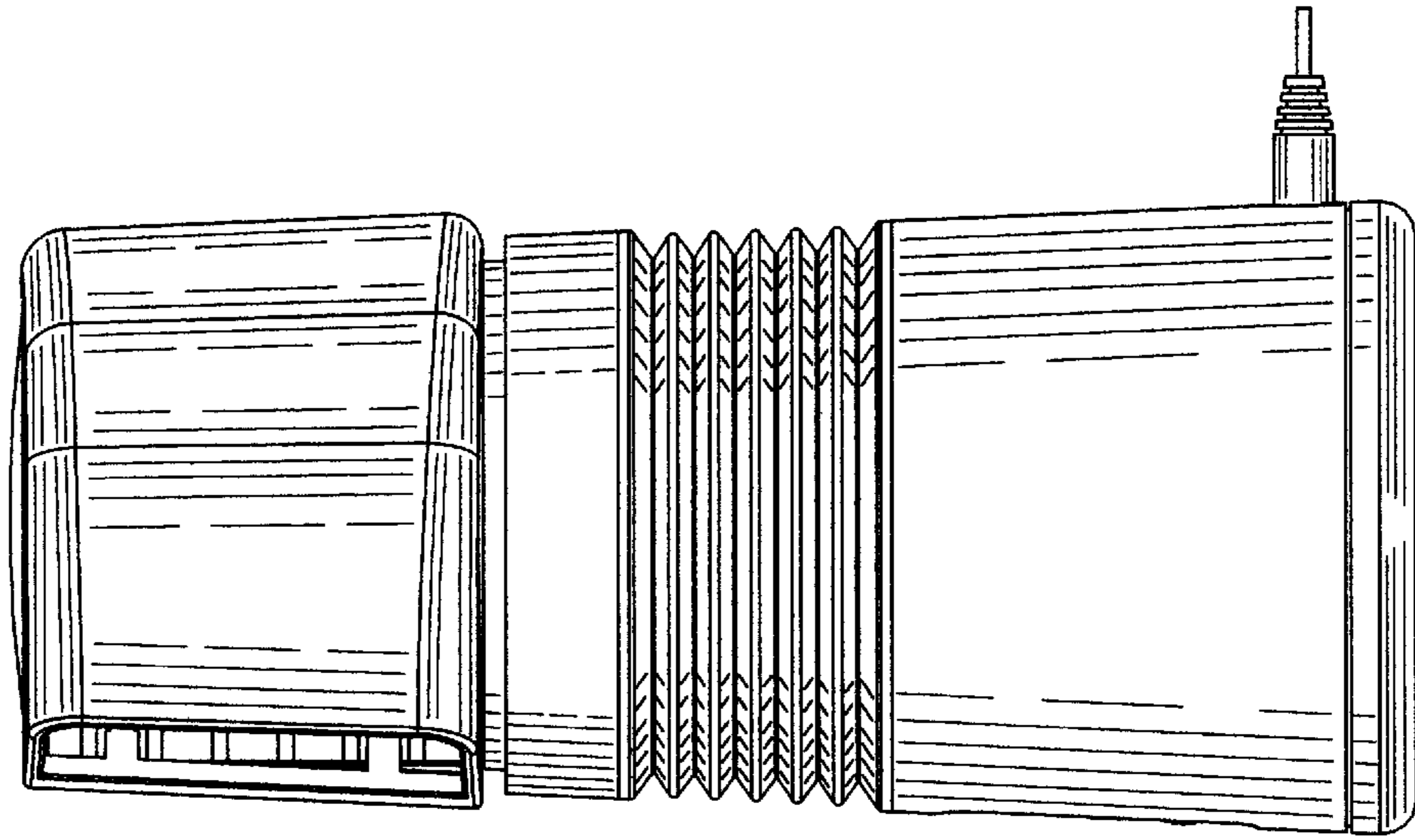


FIG. 8

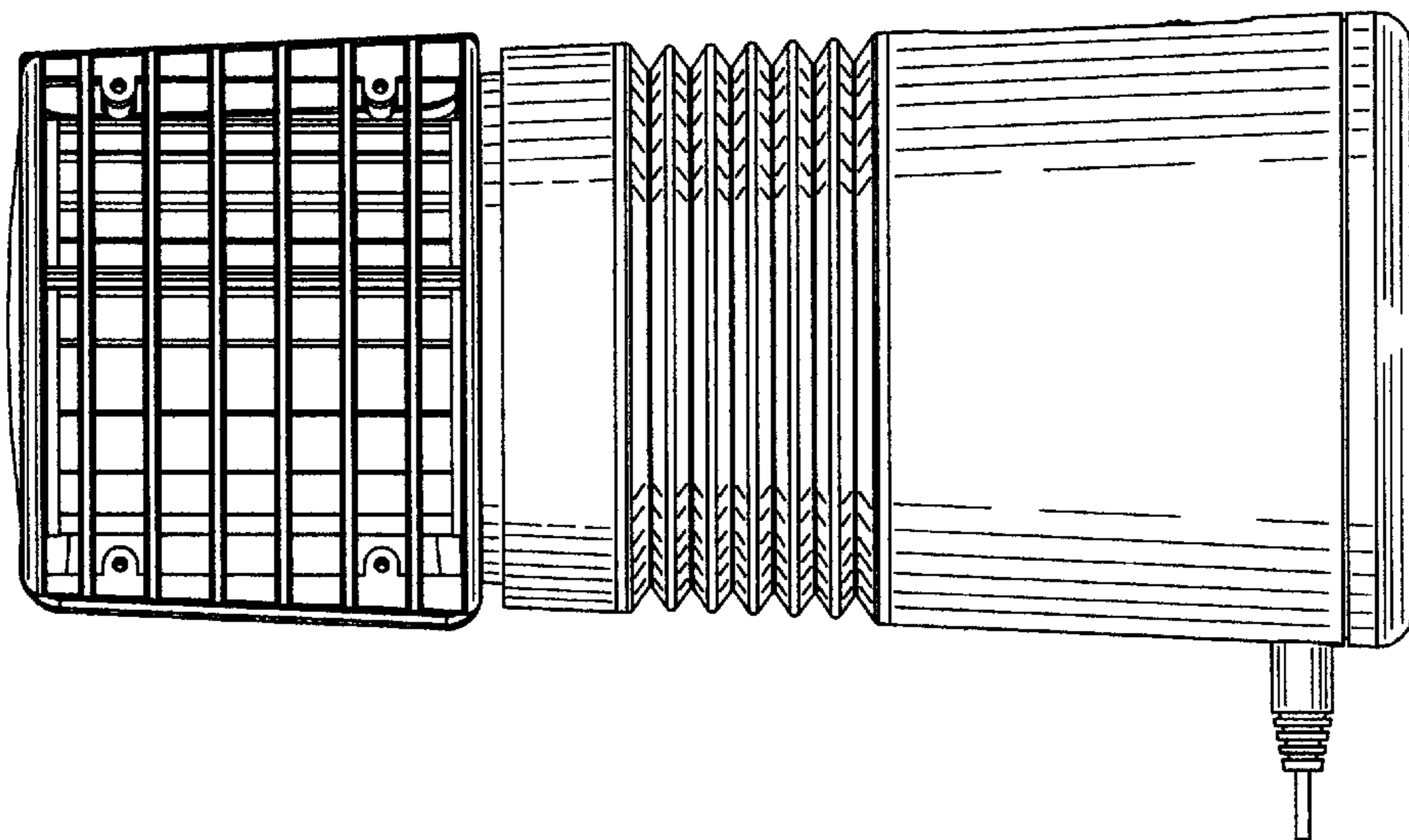


FIG. 7