



US00D477660S

(12) **United States Design Patent**  
**Pampalona Gelonch et al.**

(10) **Patent No.:** **US D477,660 S**  
(45) **Date of Patent:** **\*\* Jul. 22, 2003**

(54) **CAR AIR FRESHENER**

(75) Inventors: **Ramon Pampalona Gelonch**, Lleida (ES); **Marc Richart Orgilles**, Lleida (ES)

(73) Assignee: **Lebo S.A.**, Torres de Segre (ES)

(\*\*) Term: **14 Years**

(21) Appl. No.: **29/162,179**

(22) Filed: **Jun. 12, 2002**

(30) **Foreign Application Priority Data**

Dec. 12, 2001 (ES) ..... 152969

(51) **LOC (7) Cl.** ..... **23-04**

(52) **U.S. Cl.** ..... **D23/368**

(58) **Field of Search** ..... D23/366-9; 422/120, 422/122-4; 239/34-60, 211, 53-6

(56) **References Cited**

**U.S. PATENT DOCUMENTS**

D385,024 S 10/1997 Roberts  
D435,897 S 1/2001 Wu

D435,898 S 1/2001 Yang  
6,302,559 B1 10/2001 Warren  
D456,886 S 5/2002 Hart et al.  
D460,170 S 7/2002 Hart et al.  
D462,432 S 9/2002 Robson

*Primary Examiner*—M. H. Tung

(74) *Attorney, Agent, or Firm*—Staas & Halsey LLP

(57) **CLAIM**

The ornamental design for car air freshener, as shown and described.

**DESCRIPTION**

FIG. 1 is a perspective view of the car airfreshener showing our design;

FIG. 2 is a front view thereof;

FIG. 3 is a rear view thereof;

FIG. 4 is a right side view thereof;

FIG. 5 is a left view thereof;

FIG. 6 is a top view thereof; and,

FIG. 7 is a bottom view thereof.

The broken line drawing of fluid in FIGS. 1-5 is for illustrative purposes only and forms no part of the claimed design.

**1 Claim, 5 Drawing Sheets**

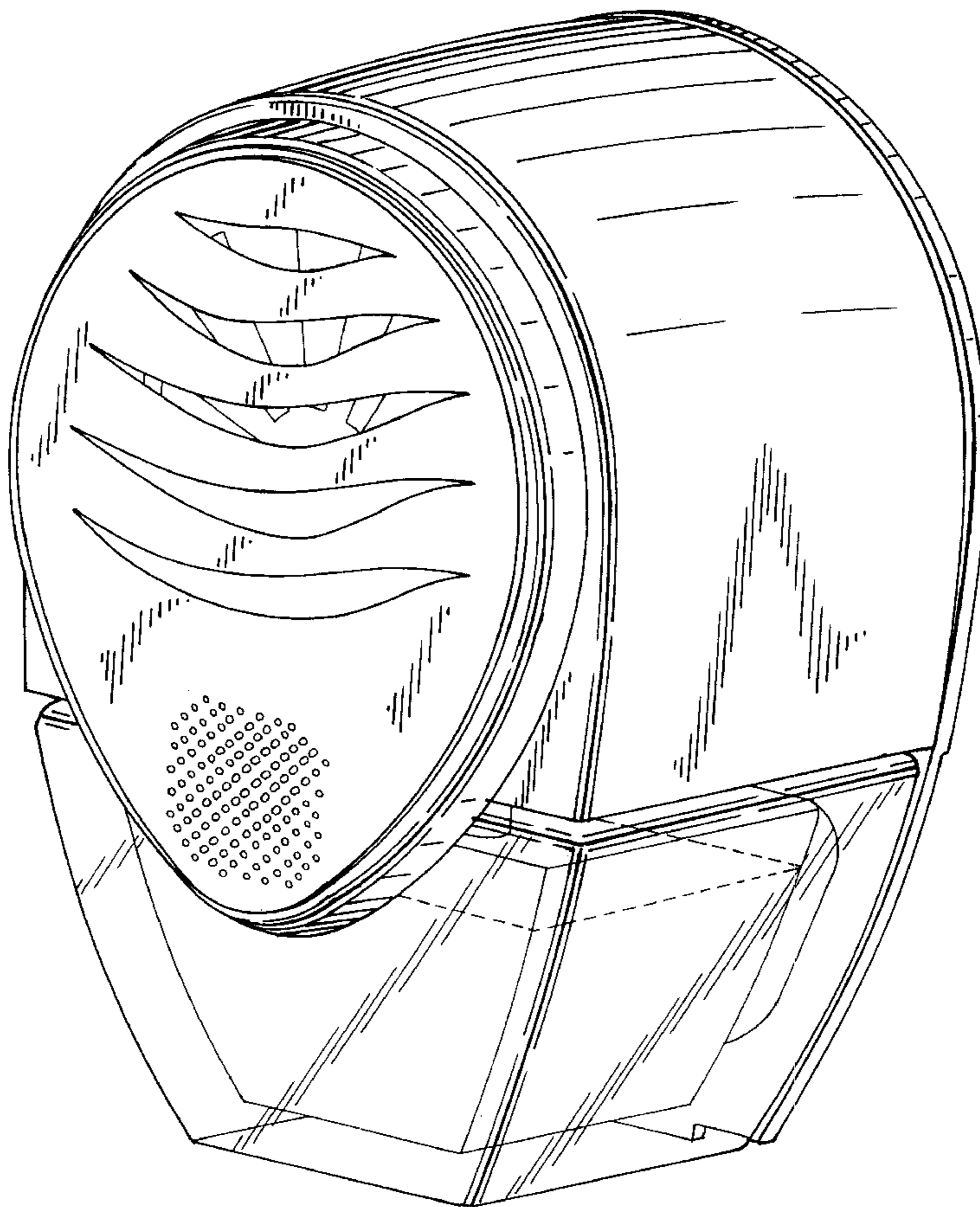


FIG. 1

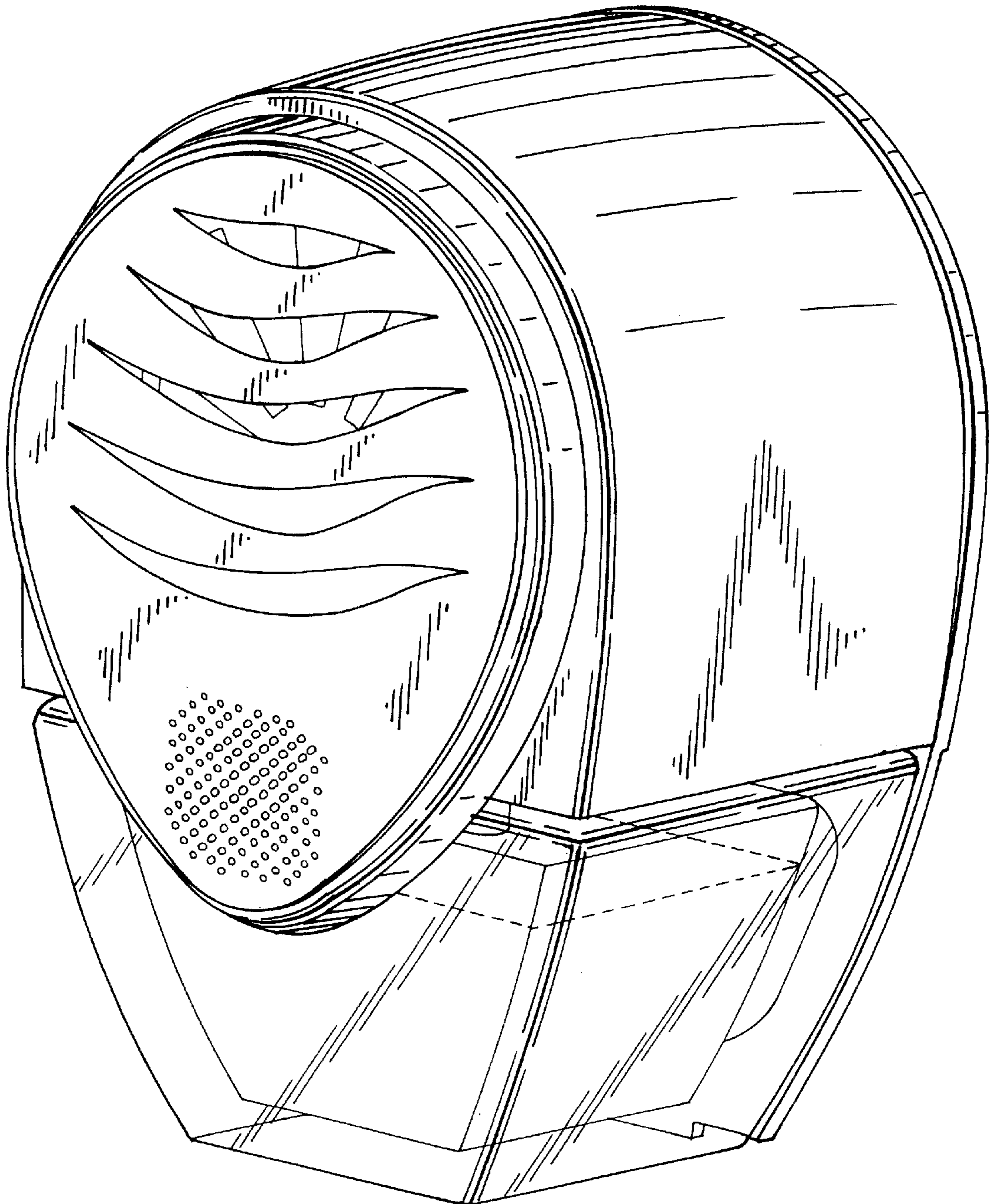


FIG. 3

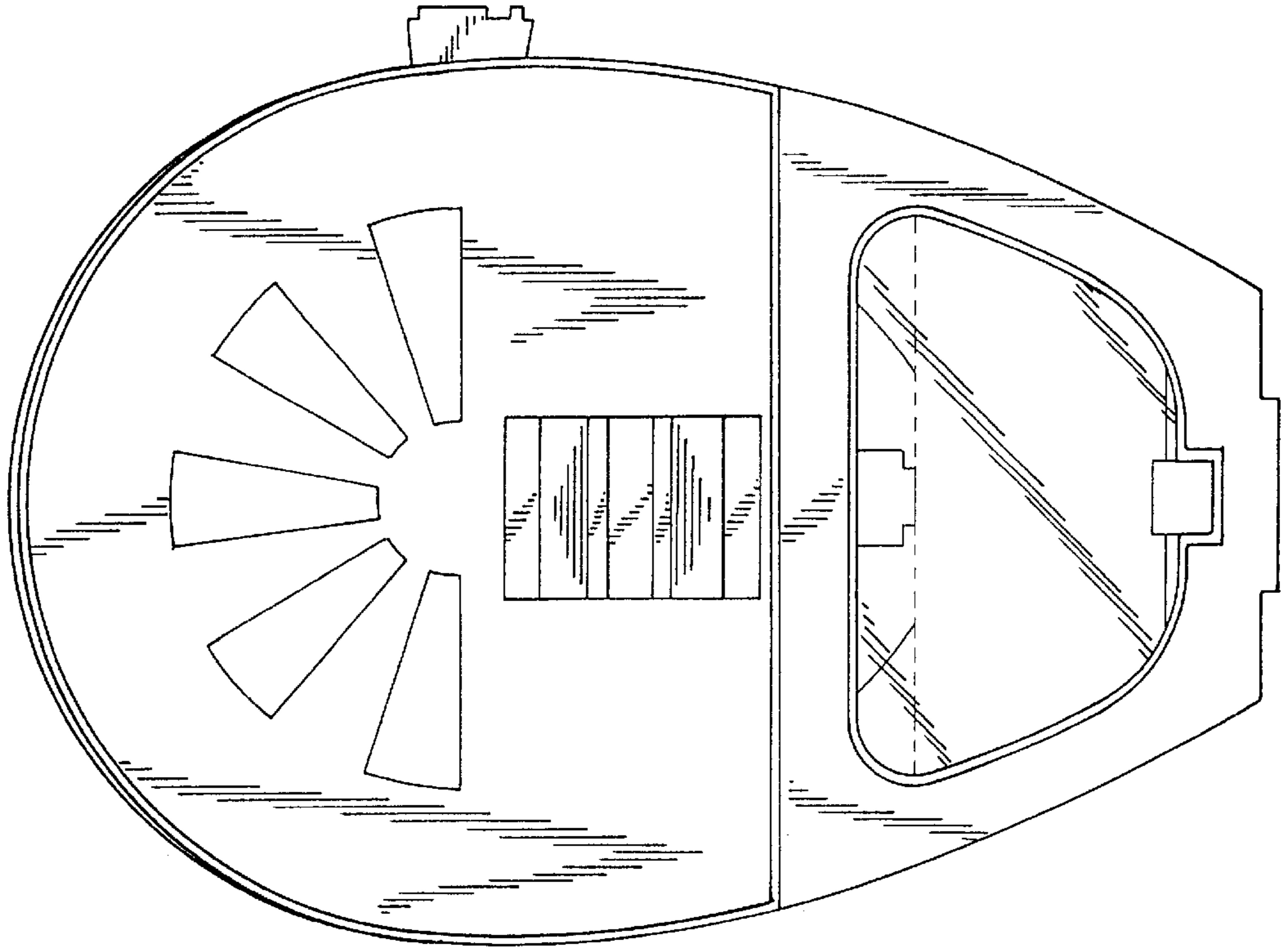


FIG. 2

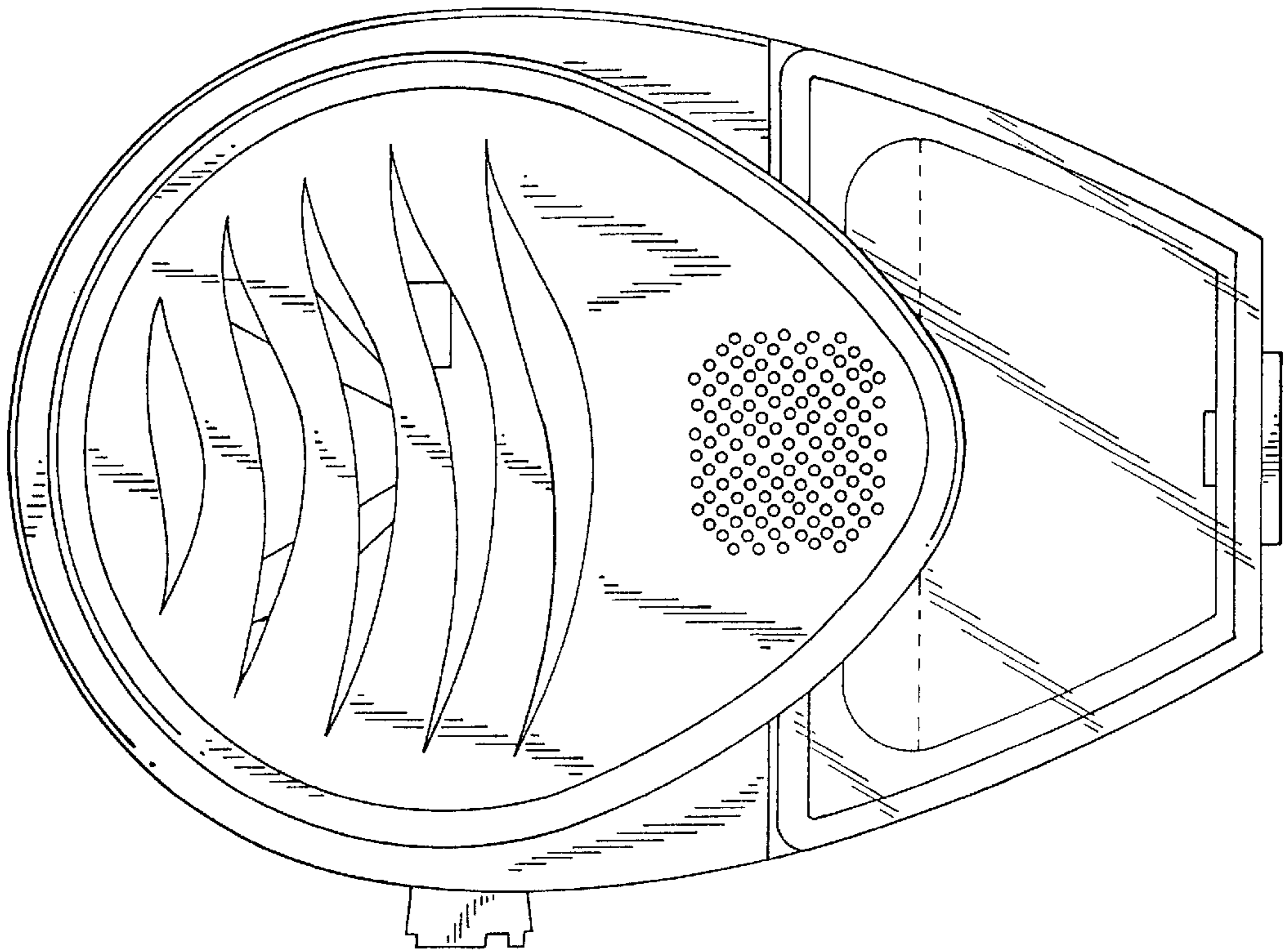


FIG. 4

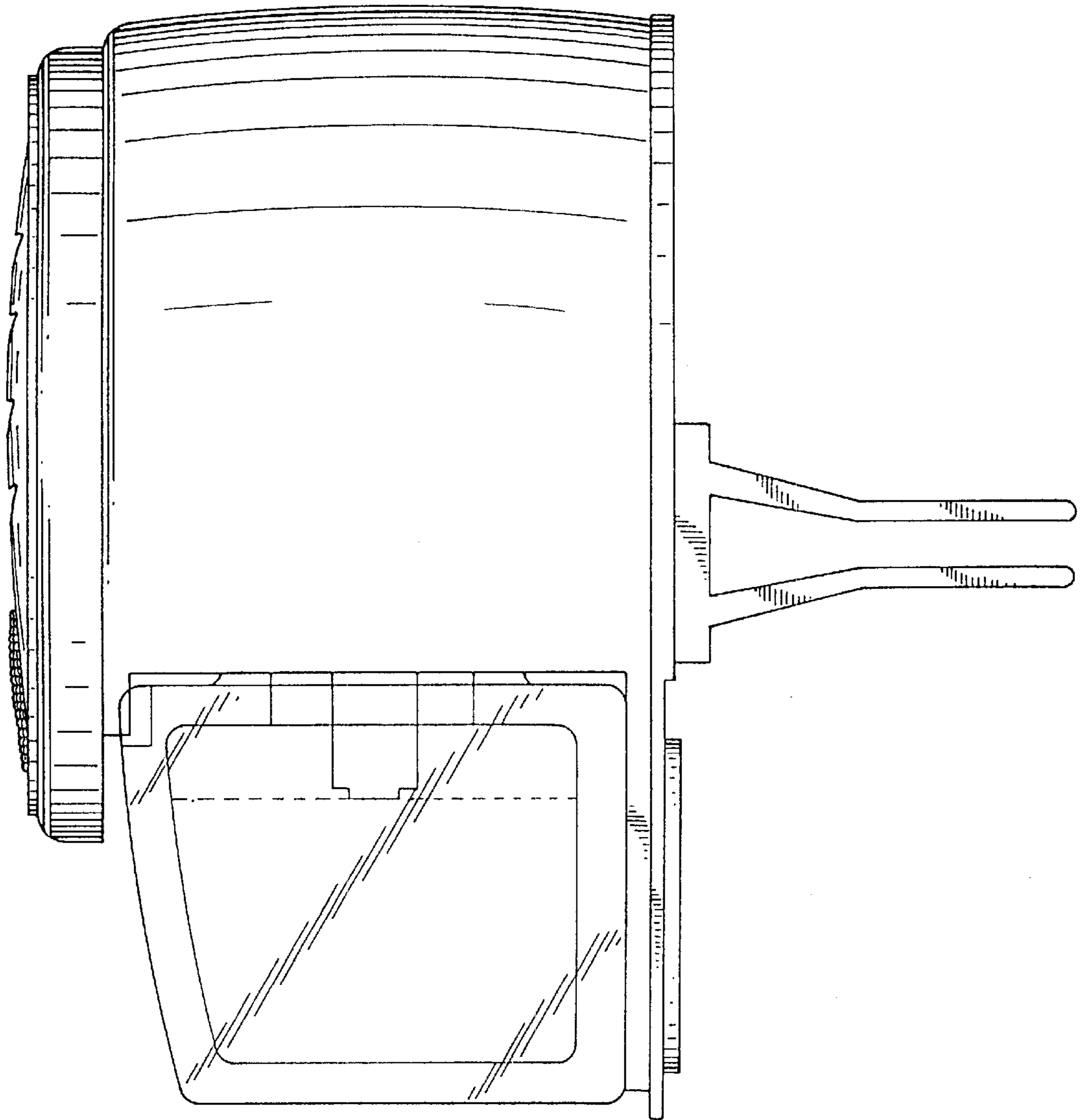
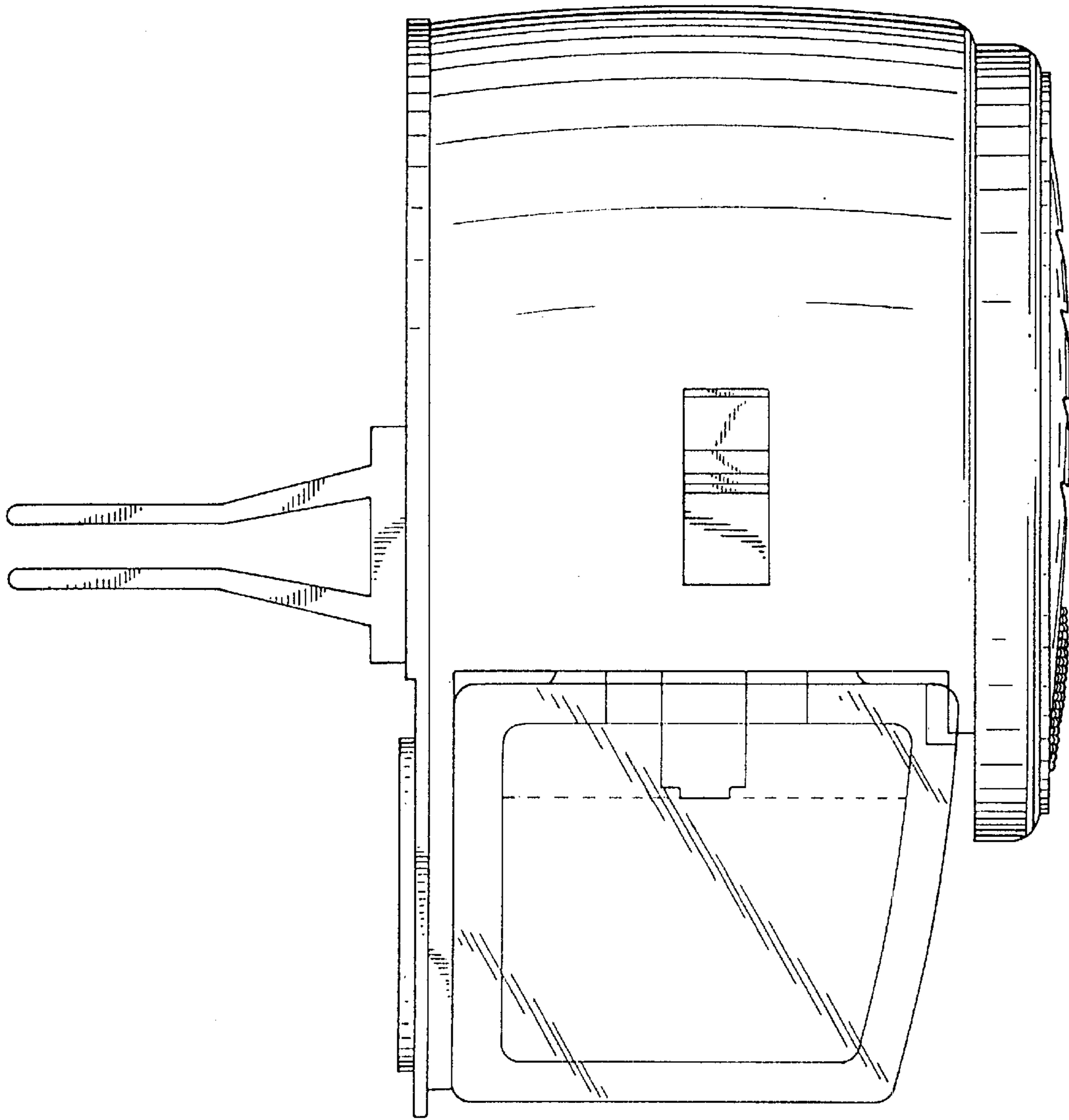


FIG. 5



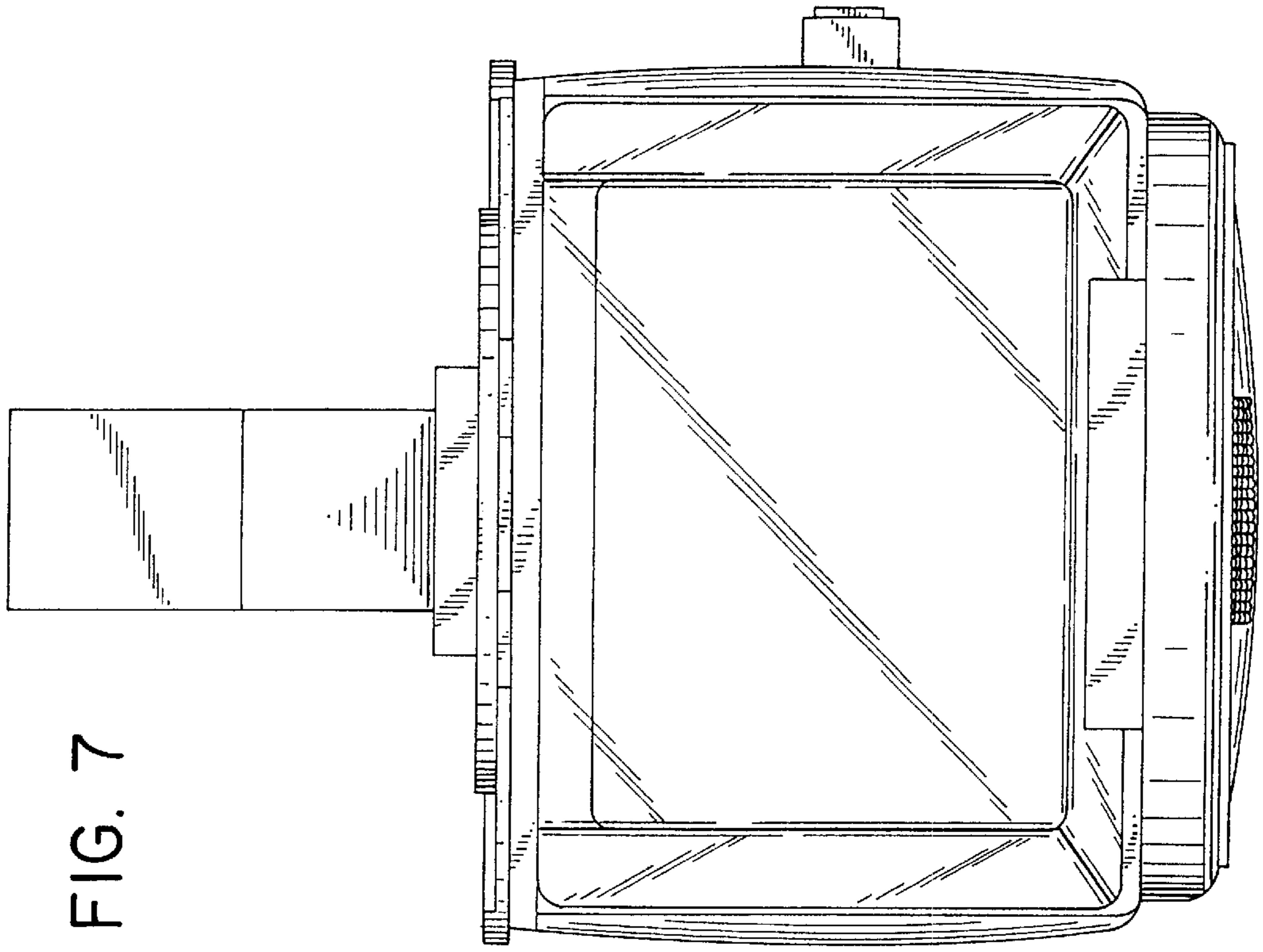


FIG. 7

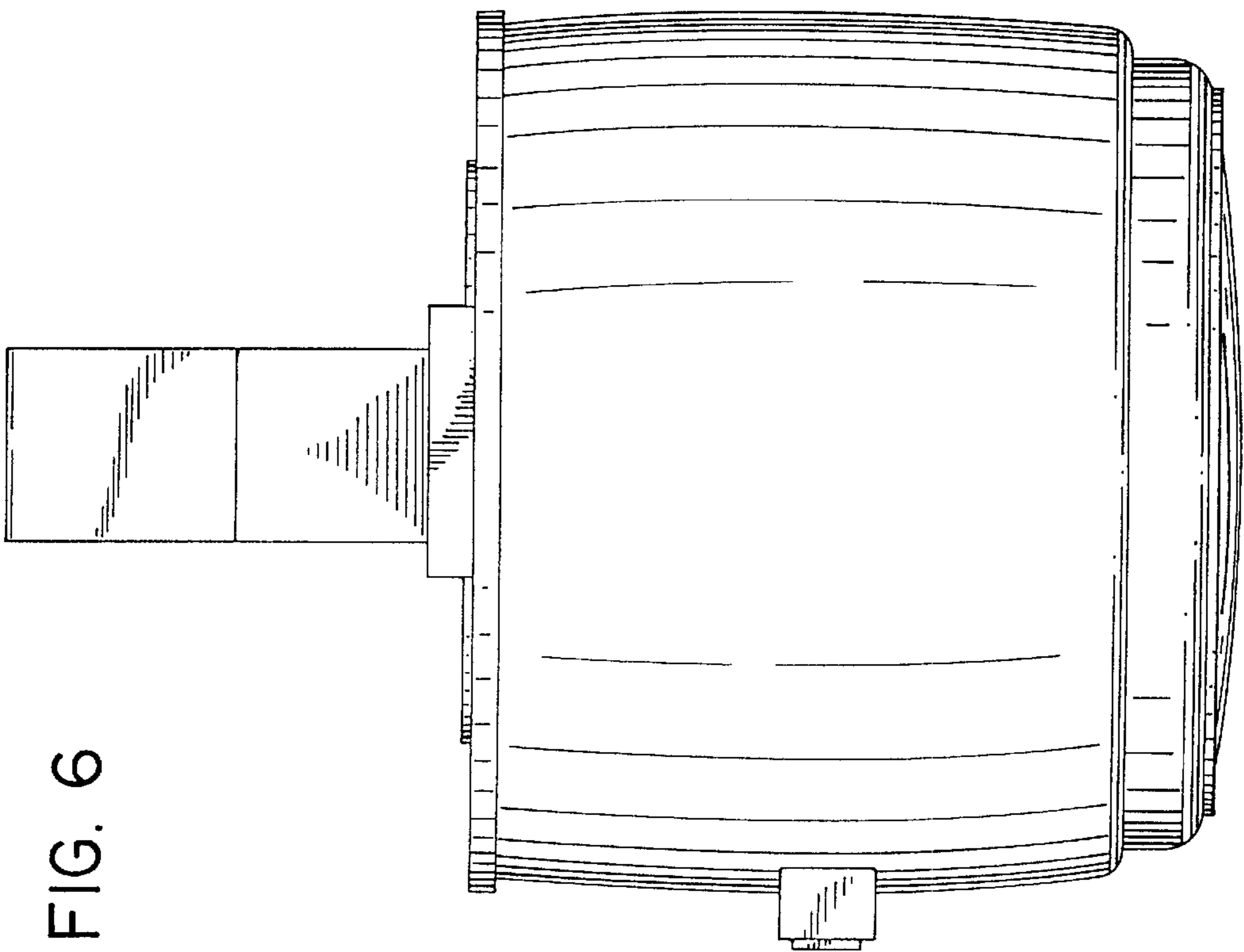


FIG. 6