



US00D477659S

(12) **United States Design Patent**
Gieseke et al.

(10) **Patent No.: US D477,659 S**
(45) **Date of Patent: ** Jul. 22, 2003**

(54) **AIR FILTER ELEMENT FOR ENGINE AIR CLEANER**

DESCRIPTION

(75) Inventors: **Steven Scott Gieseke**, Richfield, MN (US); **Peter J. Murray**, Bloomington, MN (US)

(73) Assignee: **Donaldson Company, Inc.**, Minneapolis, MN (US)

(**) Term: **14 Years**

(21) Appl. No.: **29/133,678**

(22) Filed: **Dec. 4, 2000**

(51) **LOC (7) Cl. 23-04**

(52) **U.S. Cl. D23/365**

(58) **Field of Search D23/365; 55/385.3, 55/498, DIG. 28**

(56) **References Cited**

U.S. PATENT DOCUMENTS

3,469,707	A	*	9/1969	Humbert, Jr. et al.	210/484
5,137,557	A		8/1992	Behrendt et al.	
5,277,157	A		1/1994	Teich	
5,762,669	A		6/1998	Kahlbaugh et al.	
D401,306	S		11/1998	Ward et al.	
D412,567	S		8/1999	Ward et al.	
D414,544	S		9/1999	Ward et al.	
D416,308	S		11/1999	Ward et al.	
6,162,269	A	*	12/2000	Greenlees et al.	55/DIG. 28

* cited by examiner

Primary Examiner—Lisa Lichtenstein
(74) *Attorney, Agent, or Firm*—Merchant & Gould, P.C.

(57) **CLAIM**

The ornamental design for an air filter element for engine air cleaner, as shown and described.

FIG. 1 is a top end plan view of the air filter element for engine air cleaner embodying our design;
 FIG. 2 is a perspective view thereof; the portions shown in broken lines being for illustrative purposes only and forming no part of the claimed design;
 FIG. 3 is a side elevational view of the air filter element depicted in FIG. 2, all other side elevational views being a mirror image thereof; the portions shown in broken lines being for illustrative purposes only and forming no part of the claimed design;
 FIG. 4 is a perspective view of a second embodiment of an air filter element for engine air cleaner embodying our design; the portions shown in broken lines being for illustrative purposes only and forming no part of the claimed design;
 FIG. 5 is a top end plan view of the air filter element depicted in FIG. 4; the side elevational views having the same appearance as that depicted in FIG. 3;
 FIG. 6 is a perspective view of a third embodiment of an air filter element for engine air cleaner embodying our design; the portions shown in broken lines being for illustrative purposes only and forming no part of the claimed design;
 FIG. 7 is a front side elevational view of the air filter element depicted in FIG. 6; the portions shown in broken lines being for illustrative purposes only and forming no part of the claimed design;
 FIG. 8 is a rear side elevational view of the air filter element depicted in FIG. 6; the portions shown in broken lines being for illustrative purposes only and forming no part of the claimed design;
 FIG. 9 is a right side elevational view of the air filter element depicted in FIG. 6, the left side elevational view being a mirror image thereof; the portions shown in broken lines being for illustrative purposes only and forming no part of the claimed design;
 FIG. 10 is a top end plan view of the air filter element depicted in FIG. 6; and,
 FIG. 11 is a bottom end plan view of the air filter element depicted in FIG. 6; the portions shown in broken lines being for illustrative purposes only and forming no part of the claimed design.

1 Claim, 10 Drawing Sheets

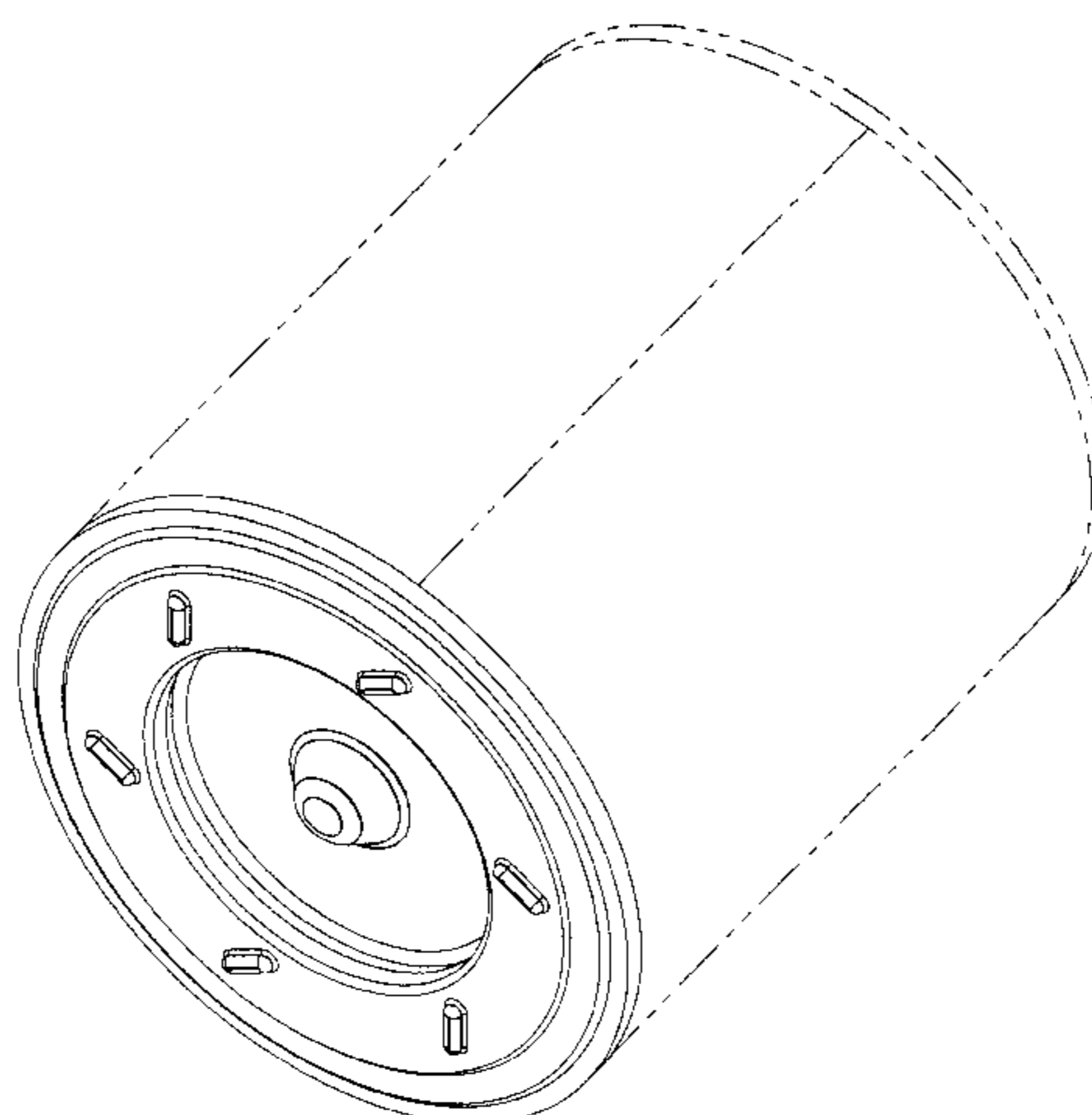
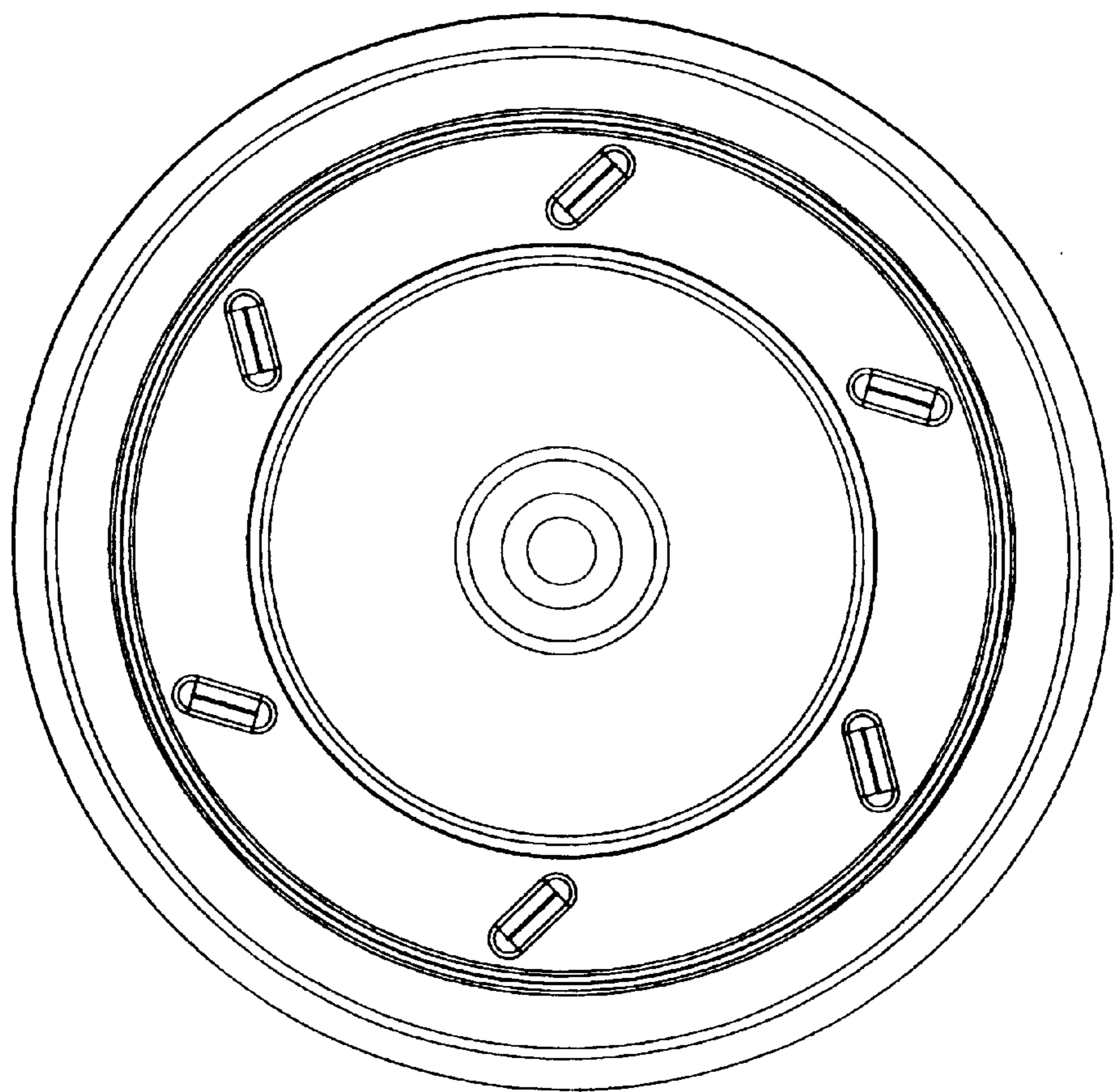


FIG. 1



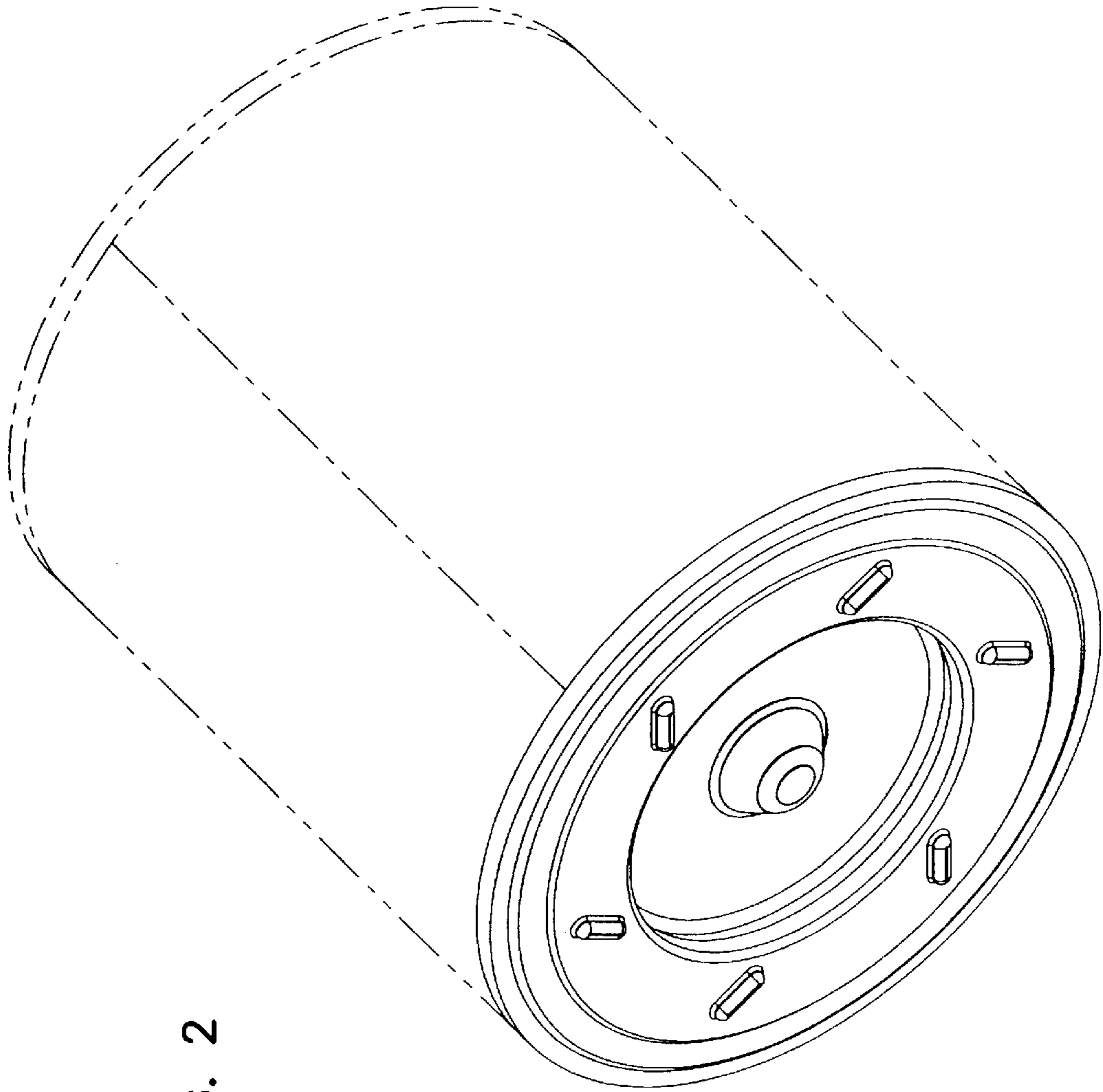
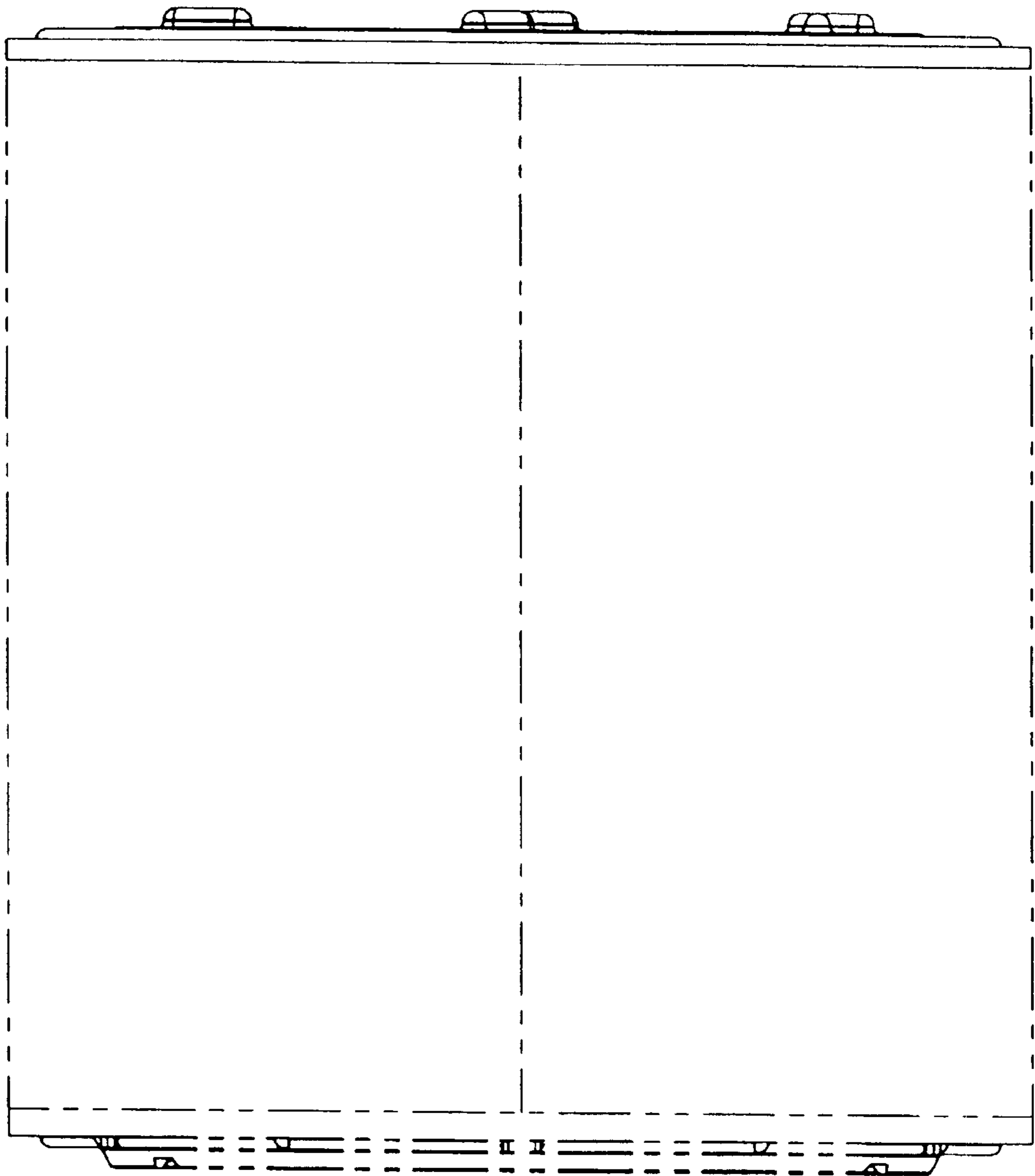


FIG. 2

FIG. 3



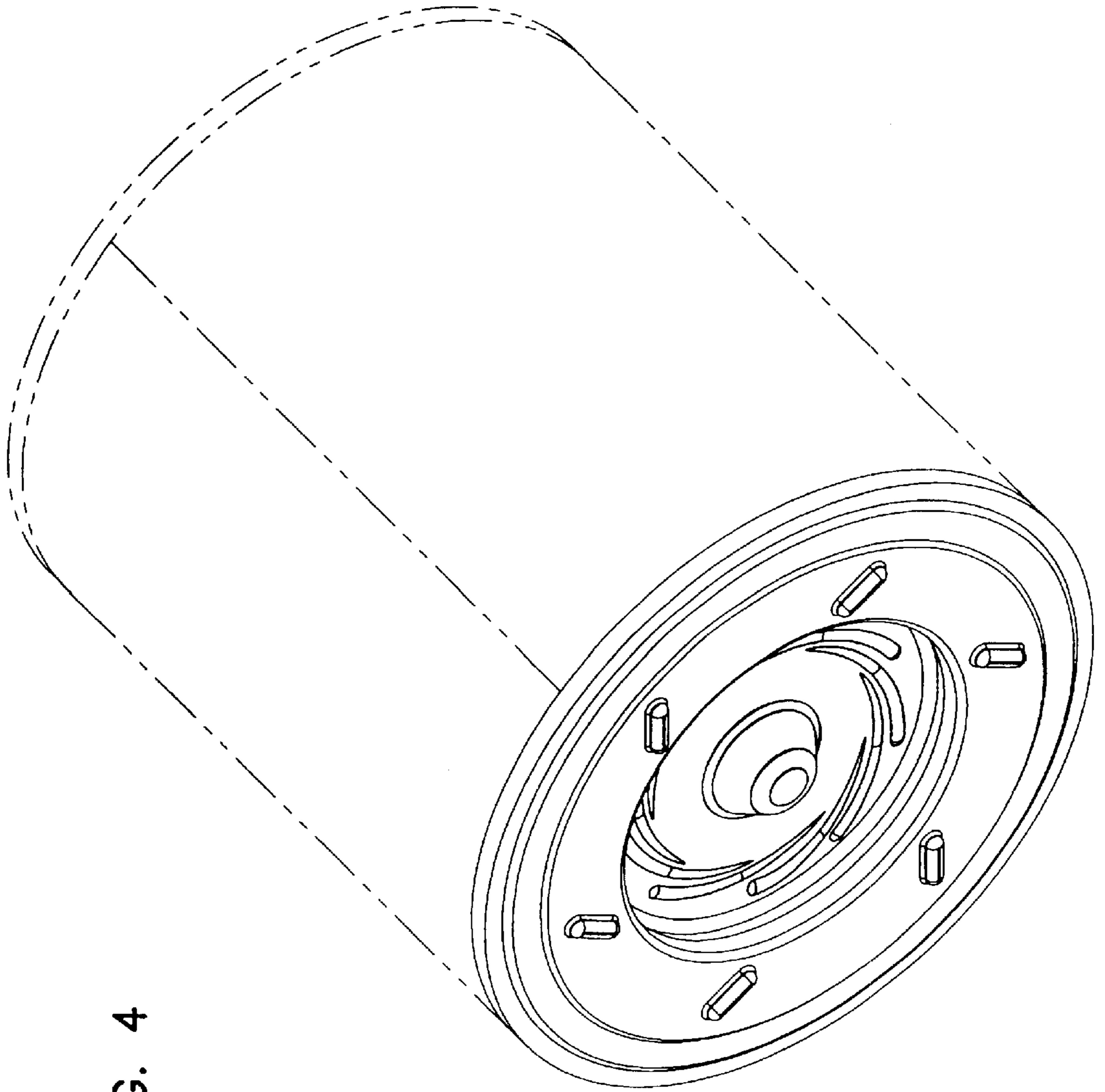
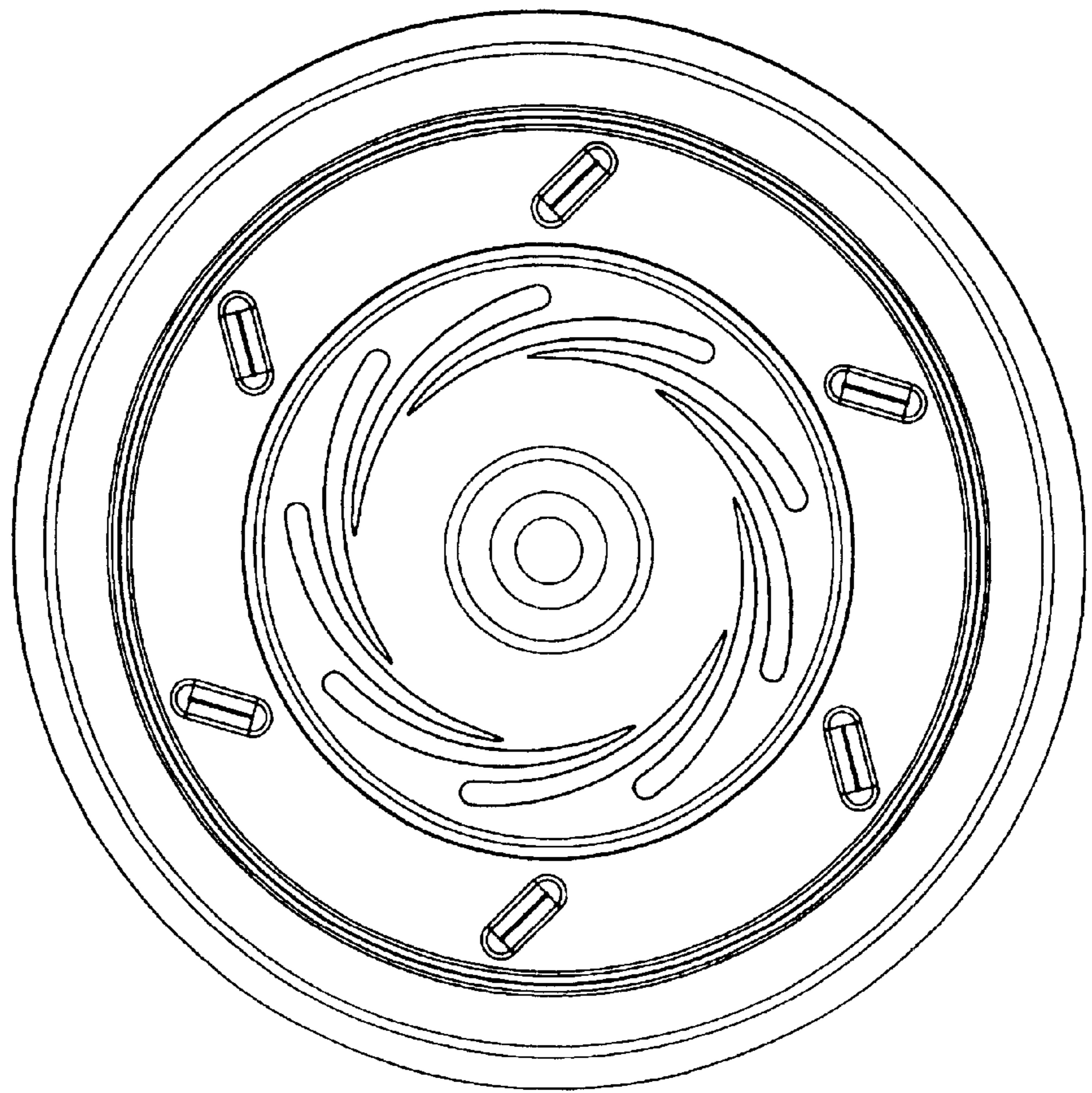


FIG. 4

FIG. 5



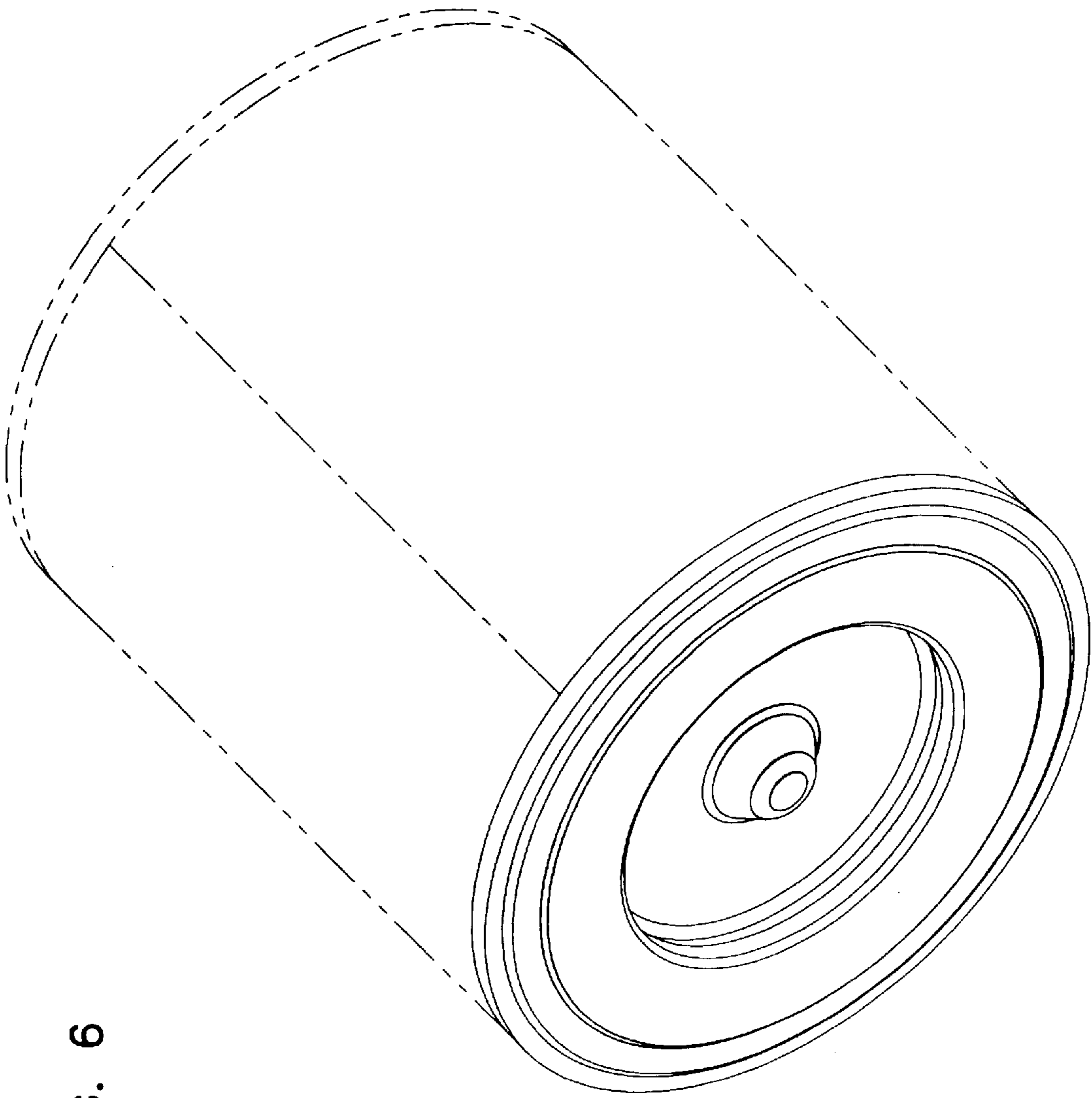


FIG. 6

FIG. 7

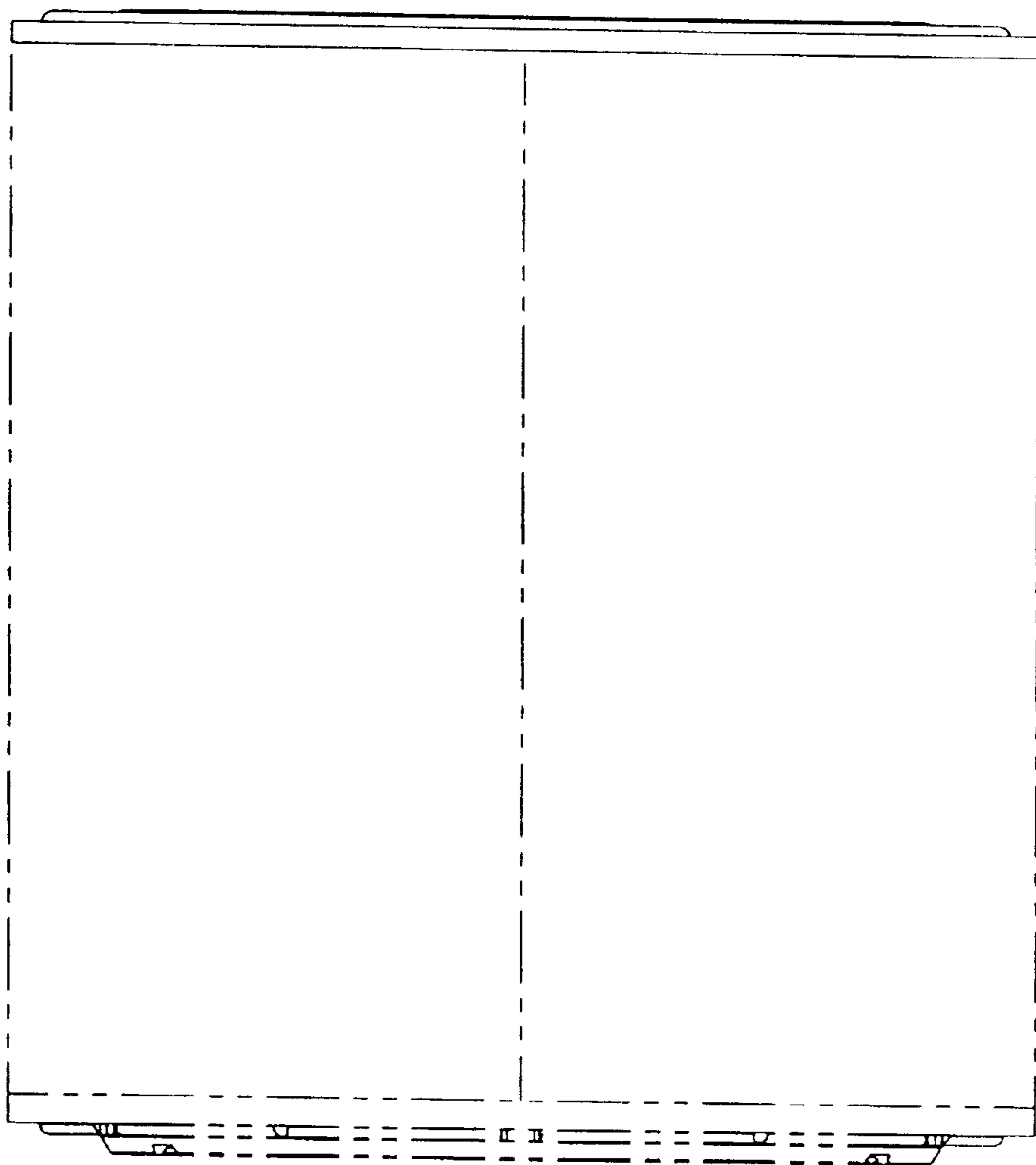


FIG. 8

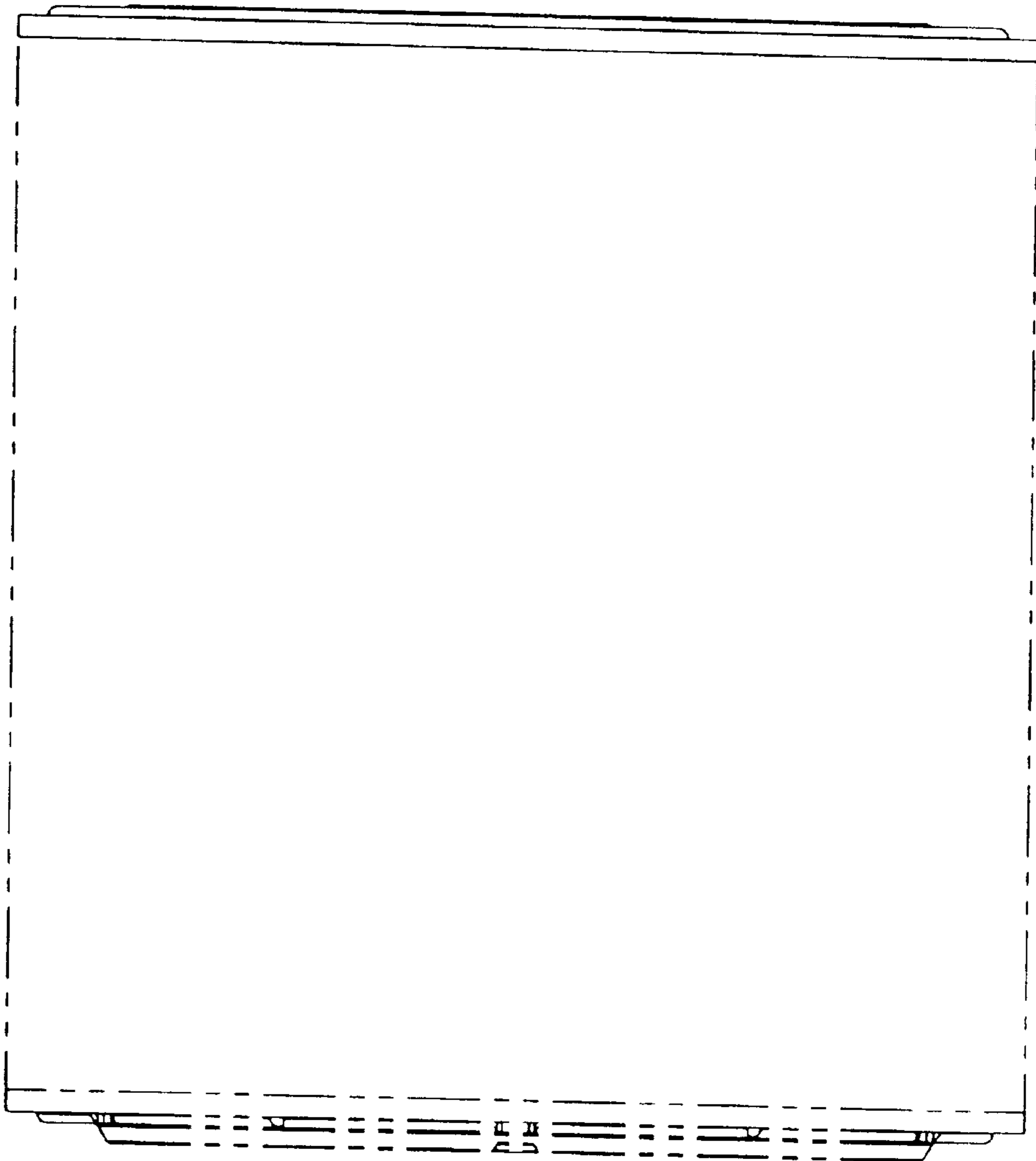


FIG. 9

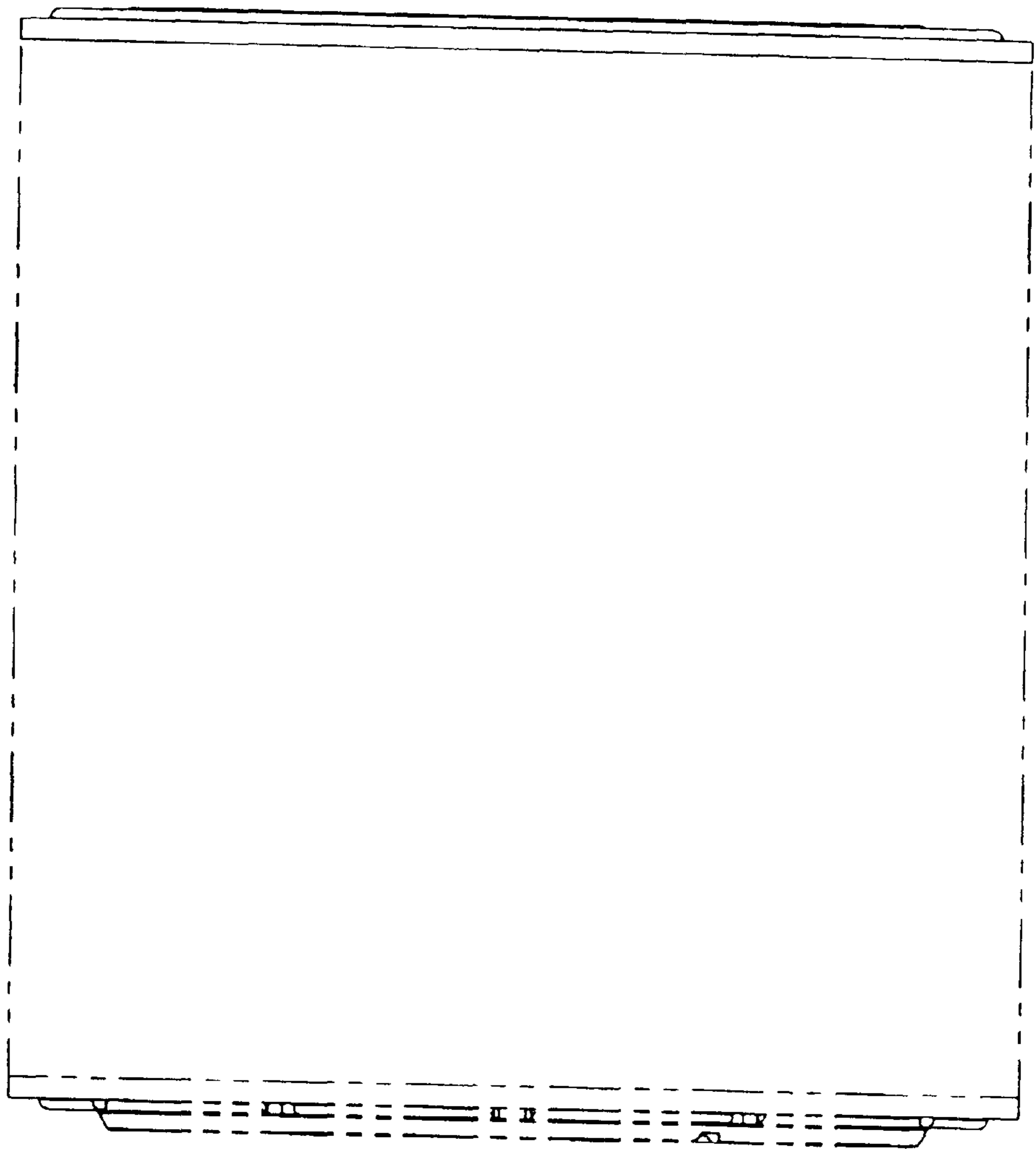


FIG. 10

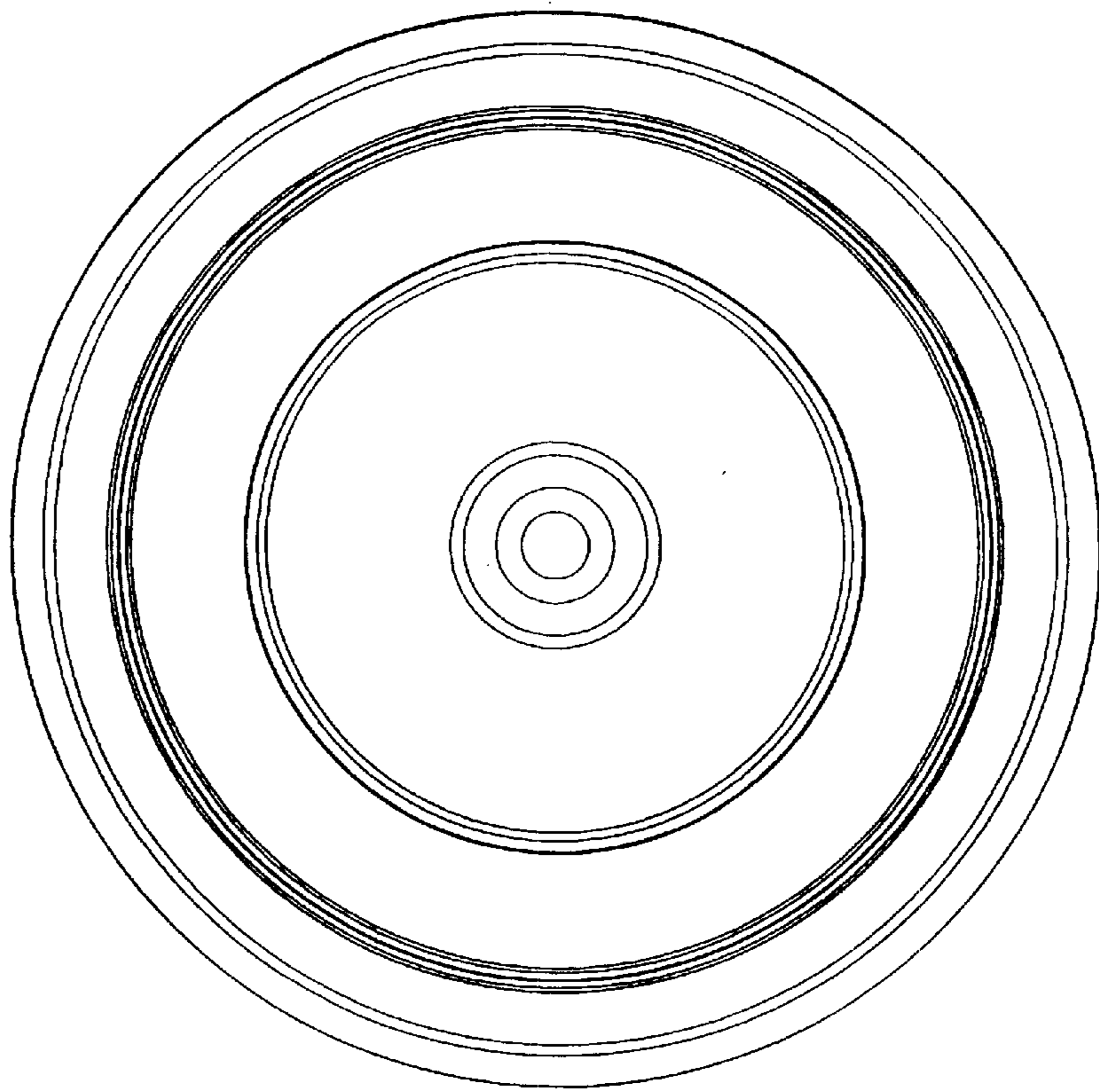


FIG. 11

