



US00D477657S

(12) **United States Design Patent**  
**Toyohara**

(10) **Patent No.:** **US D477,657 S**

(45) **Date of Patent:** **\*\* Jul. 22, 2003**

(54) **BATHROOM SHOWER**

D453,813 S \* 2/2002 Gottwald ..... D23/223  
D457,943 S \* 5/2002 Crawford et al. .... D23/304

(75) Inventor: **Atsushi Toyohara**, Kitakyushu (JP)

\* cited by examiner

(73) Assignee: **Toto Ltd.**, Fukuoka (JP)

*Primary Examiner*—Louis S. Zarfes

(\*\*) Term: **14 Years**

*Assistant Examiner*—Robert A. Delehanty

(74) *Attorney, Agent, or Firm*—Jordan and Hamburg LLP

(21) Appl. No.: **29/165,650**

(57) **CLAIM**

(22) Filed: **Aug. 14, 2002**

The ornamental design for a bathroom shower, as shown.

(30) **Foreign Application Priority Data**

**DESCRIPTION**

Aug. 6, 2002 (JP) ..... 2002-020982

FIG. 1 is a front perspective view of the bathroom shower embodying the design;

(51) **LOC (7) Cl.** ..... **23-03**

FIG. 2 is a front view of the bathroom shower;

(52) **U.S. Cl.** ..... **D23/304**

FIG. 3 is a back view of the bathroom shower;

(58) **Field of Search** ..... D23/213, 223,

D23/229, 273, 275, 283, 303, 304; 4/552,

555, 567-568, 596-605, 615, 616, 617,

618, 900, 903

FIG. 4 is a top view of the bathroom shower;

FIG. 5 is a bottom view of the bathroom shower;

FIG. 6 is a left side elevation of the bathroom shower; and,

FIG. 7 is a right side elevation of the bathroom shower.

The broken line showing of wall-attachment portions is for illustrative purposes only and forms no part of the claimed design.

(56) **References Cited**

**U.S. PATENT DOCUMENTS**

D428,124 S \* 7/2000 Starck ..... D23/304

**1 Claim, 3 Drawing Sheets**

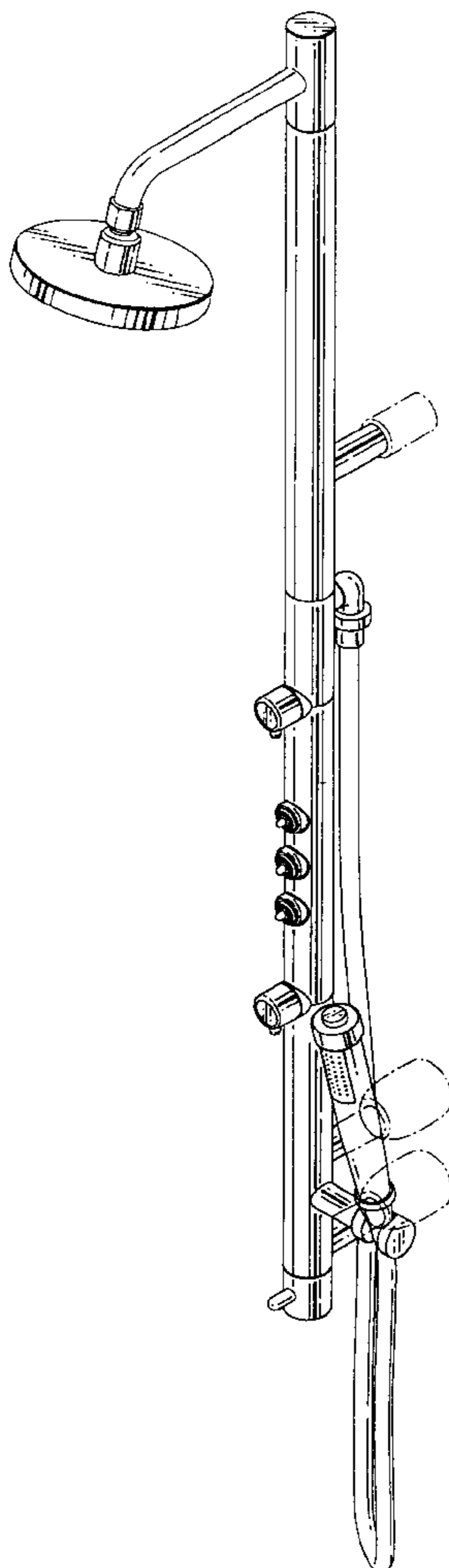


FIG. 1

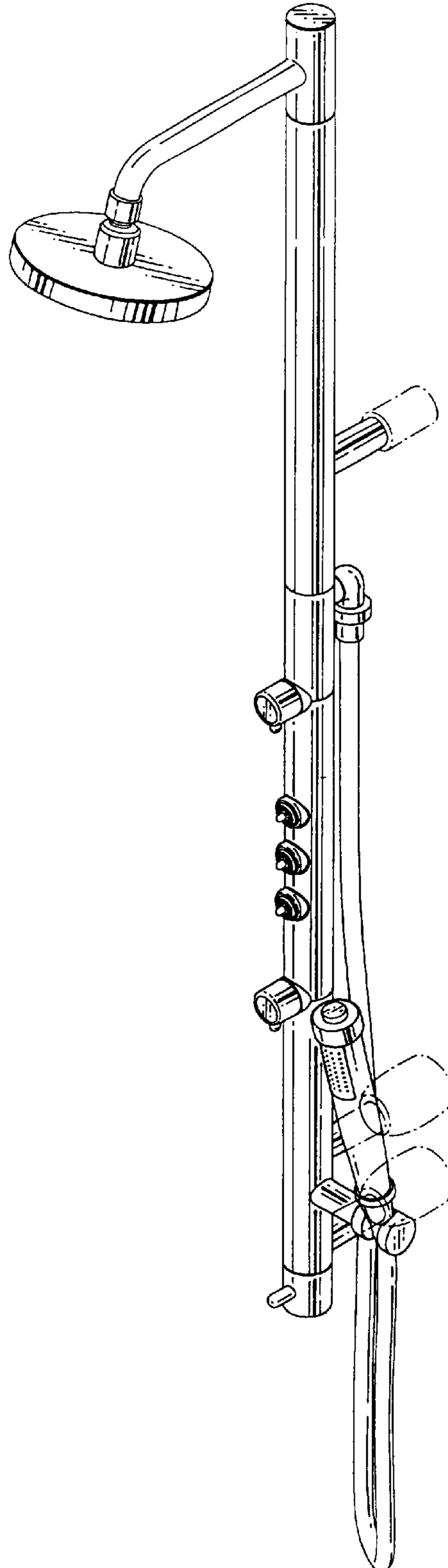


FIG. 2

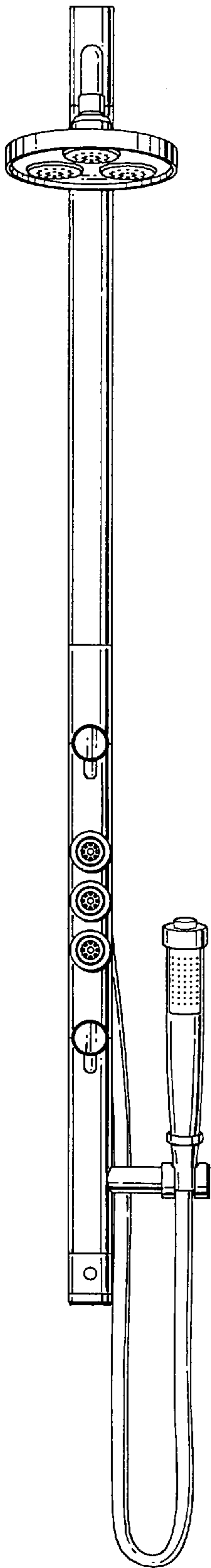


FIG. 3

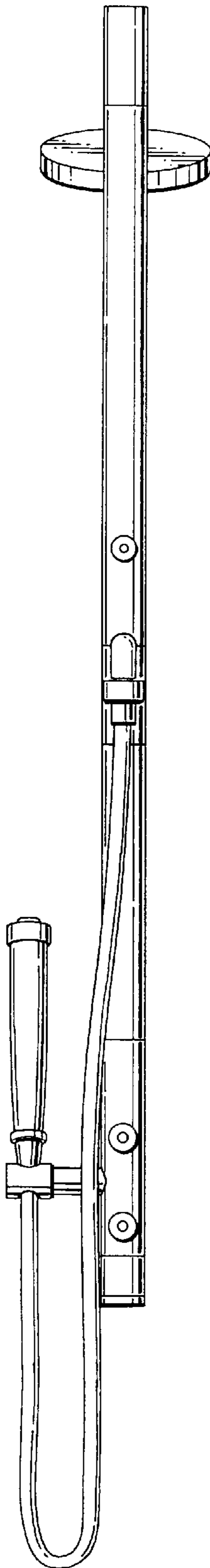


FIG. 4

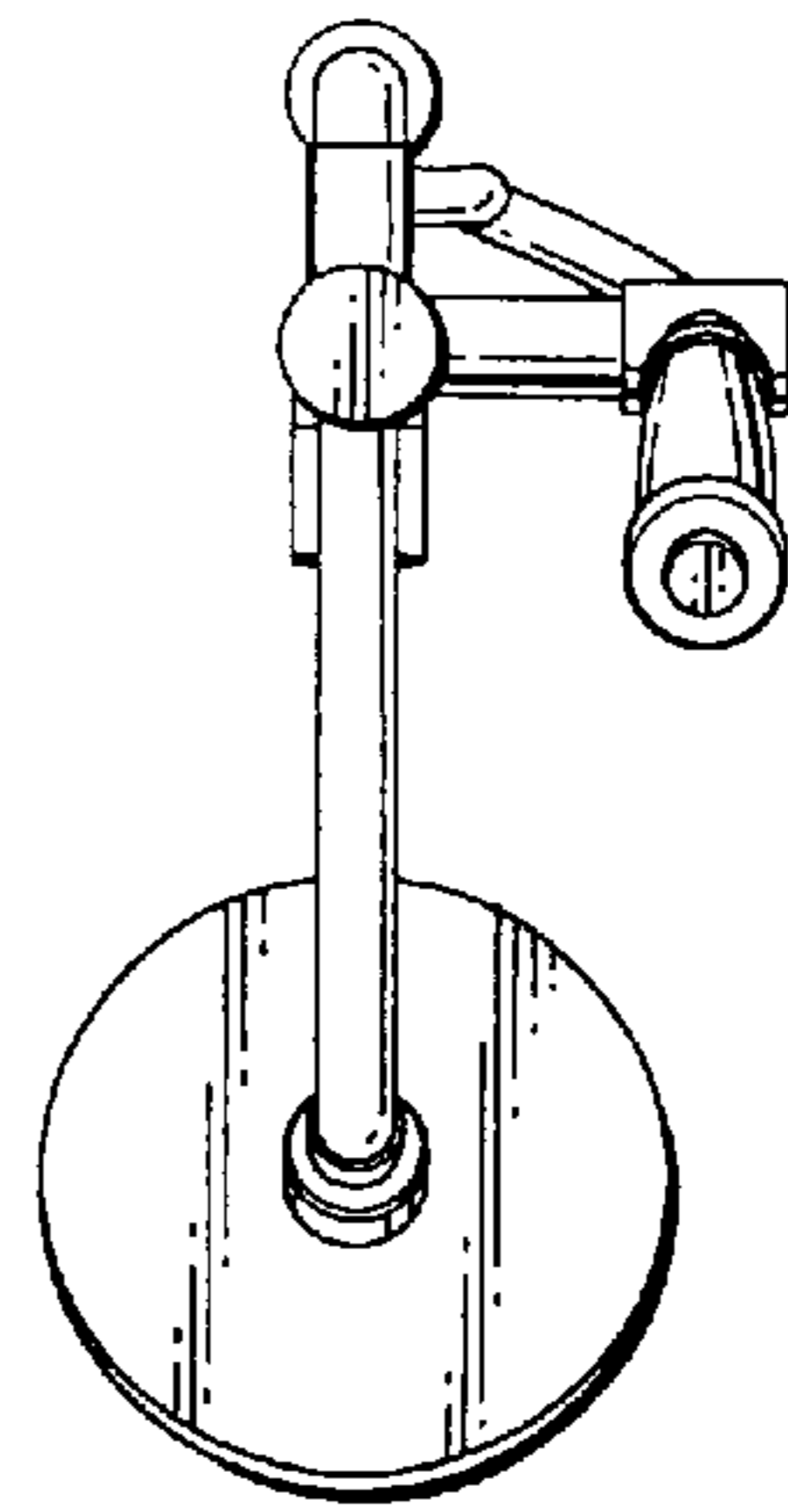


FIG. 5

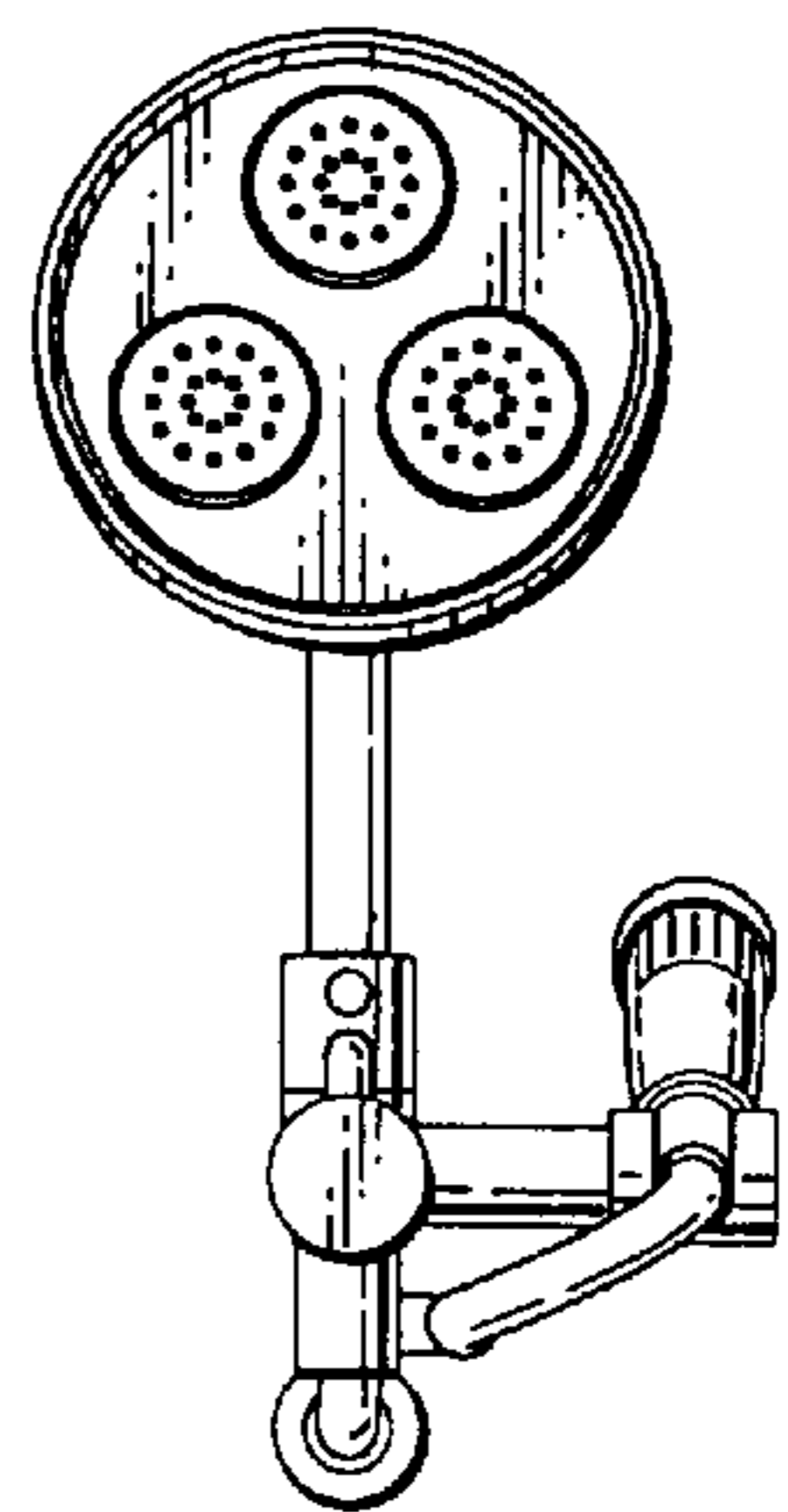


FIG. 6

FIG. 7

