



US00D477656S

(12) **United States Design Patent**
Svendsen et al.

(10) **Patent No.:** **US D477,656 S**

(45) **Date of Patent:** **** Jul. 22, 2003**

(54) **FAUCET BASEPLATE**

D383,194 S * 9/1997 Doughty et al. D23/249
D393,692 S * 4/1998 Ko D23/238

(75) Inventors: **Sean W. Svendsen**, Columbus, OH (US); **Michael J. Painter**, Columbus, OH (US); **Christopher P. Marks**, Pickerington, OH (US); **Paul P. Kolada**, Bexley, OH (US)

* cited by examiner

Primary Examiner—Louis S. Zarfes
Assistant Examiner—Gregory Andoll
(74) *Attorney, Agent, or Firm*—Frommer Lawrence & Haug LLP; Matthew K. Ryan

(73) Assignee: **American Standard Inc.**, Piscataway, NJ (US)

(**) Term: **14 Years**

(57) **CLAIM**

The ornamental design for a “faucet baseplate”, as shown.

(21) Appl. No.: **29/157,810**

DESCRIPTION

(22) Filed: **Mar. 25, 2002**

(51) **LOC (7) Cl.** **23-01**

(52) **U.S. Cl.** **D23/249**

(58) **Field of Search** D23/238–243,
D23/245, 250–257; D8/300–322, 350–353,
DIG. 3; 16/110.1; 4/675–678, 695; 137/801

FIG. 1 is a front perspective view of a faucet baseplate showing our new design;

FIG. 2 is a top view of the faucet baseplate of FIG. 1;

FIG. 3 is a bottom view of the faucet baseplate of FIG. 1;

FIG. 4 is a front view of the faucet baseplate of FIG. 1;

FIG. 5 is a rear view of the faucet baseplate of FIG. 1;

FIG. 6 is a left side view of the faucet baseplate of FIG. 1; and,

FIG. 7 is a right side view of the faucet baseplate of FIG. 1.

(56) **References Cited**

U.S. PATENT DOCUMENTS

D140,693 S * 3/1945 Judell D23/241

1 Claim, 3 Drawing Sheets

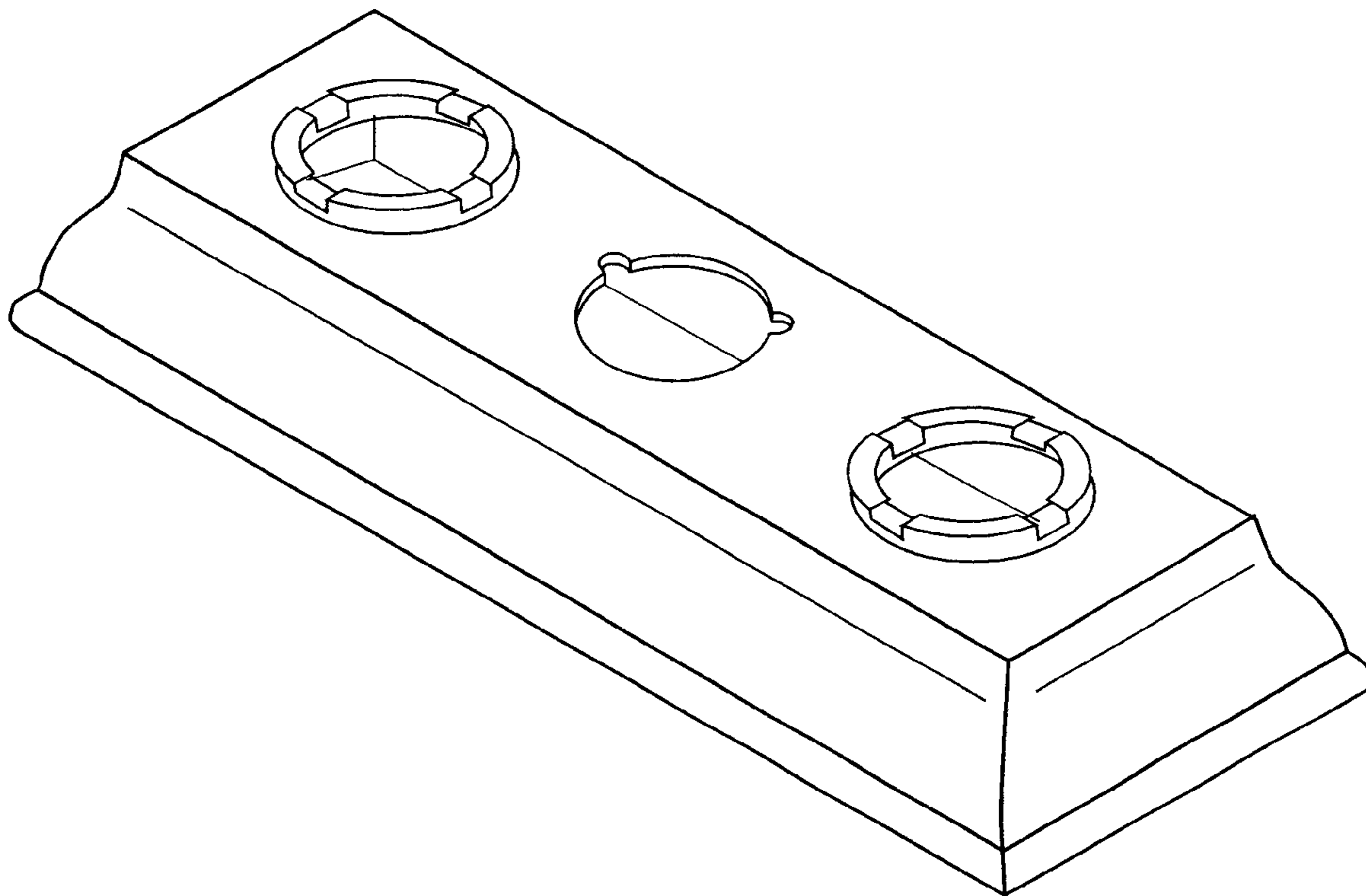


FIG. 1

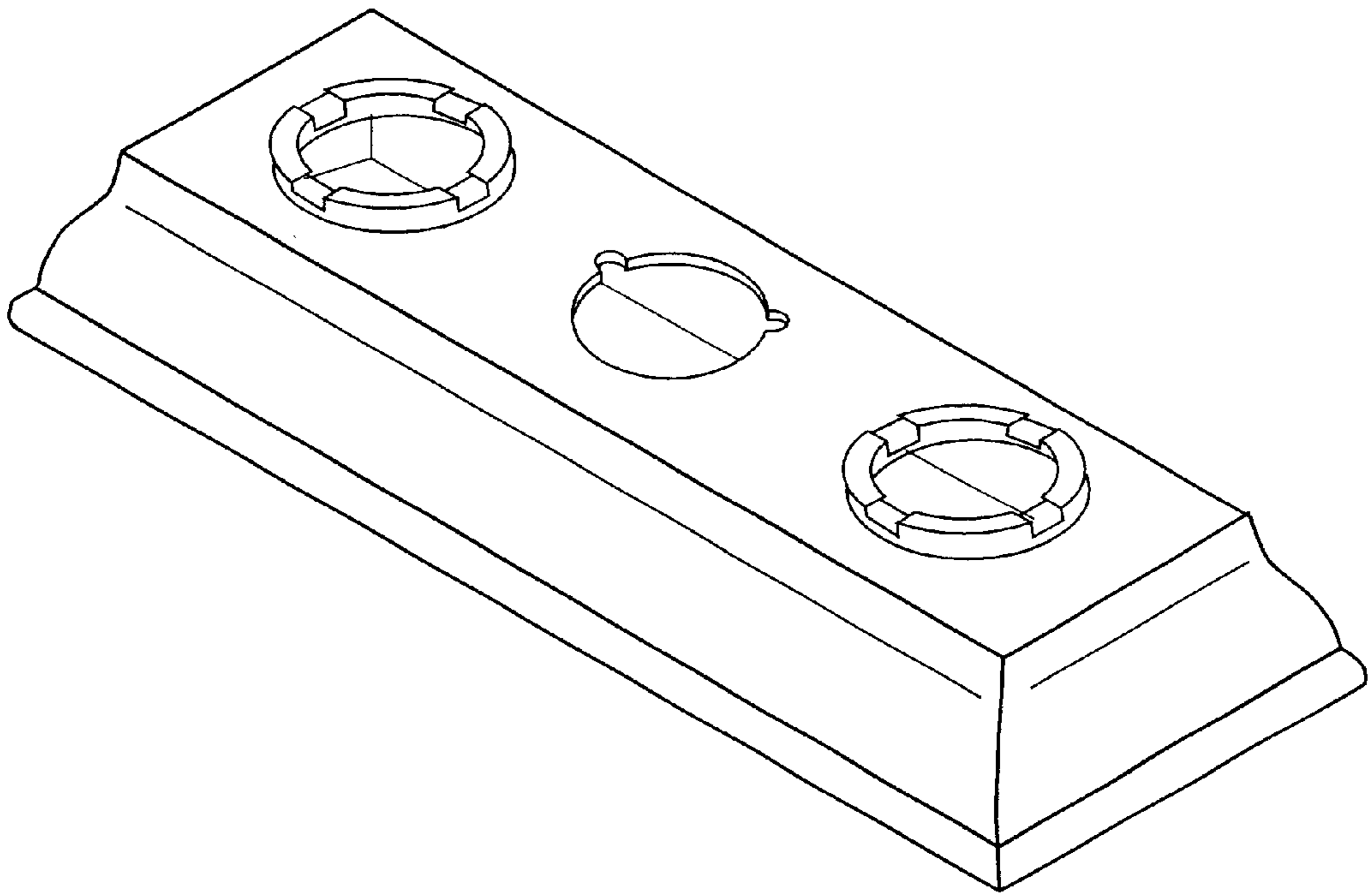


FIG. 2

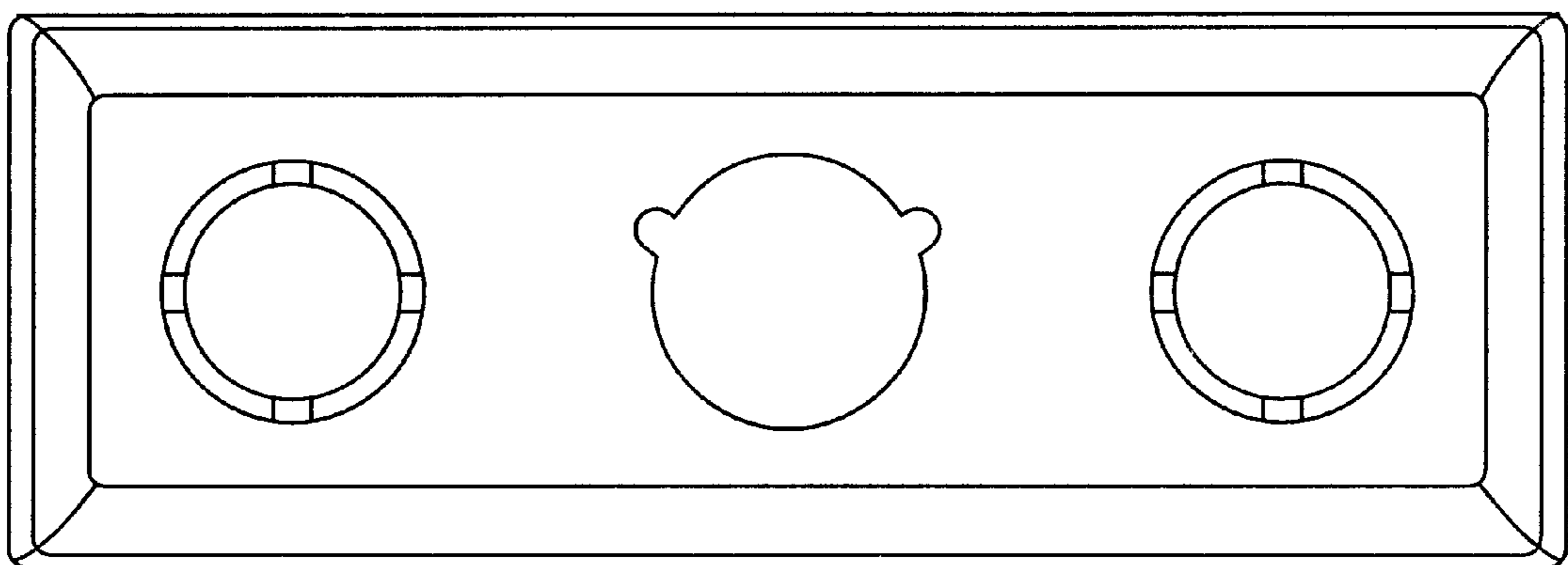


FIG. 3

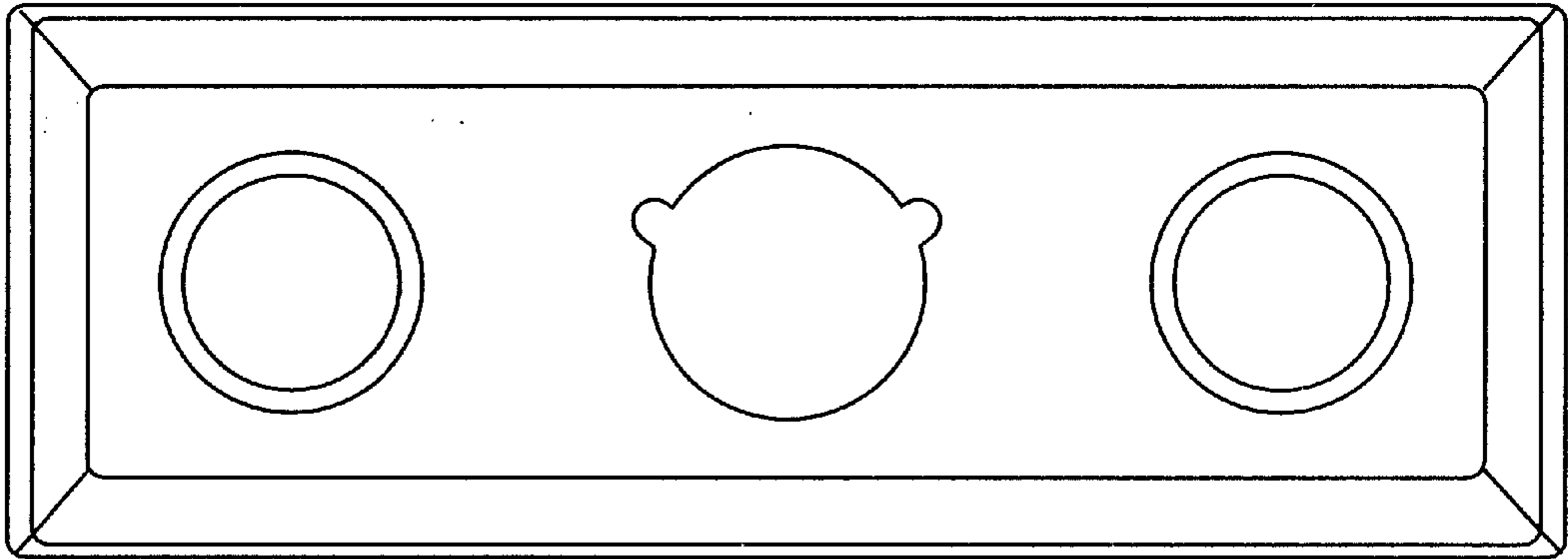


FIG. 4

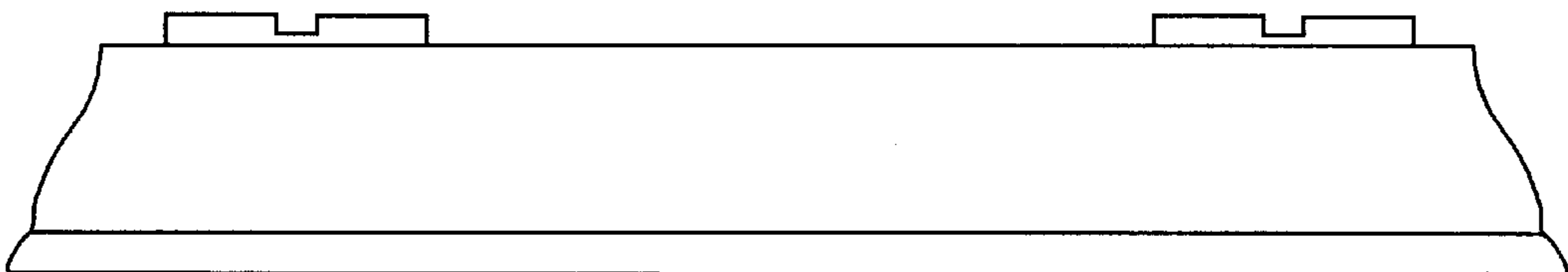


FIG. 5

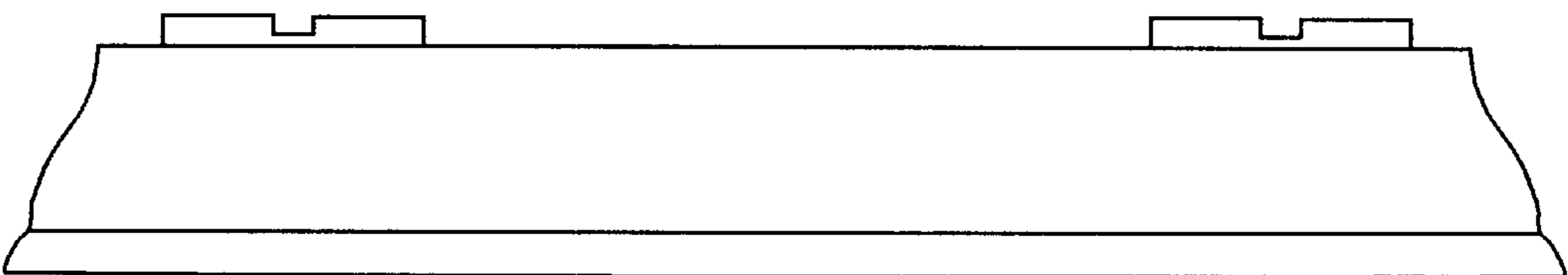


FIG. 6

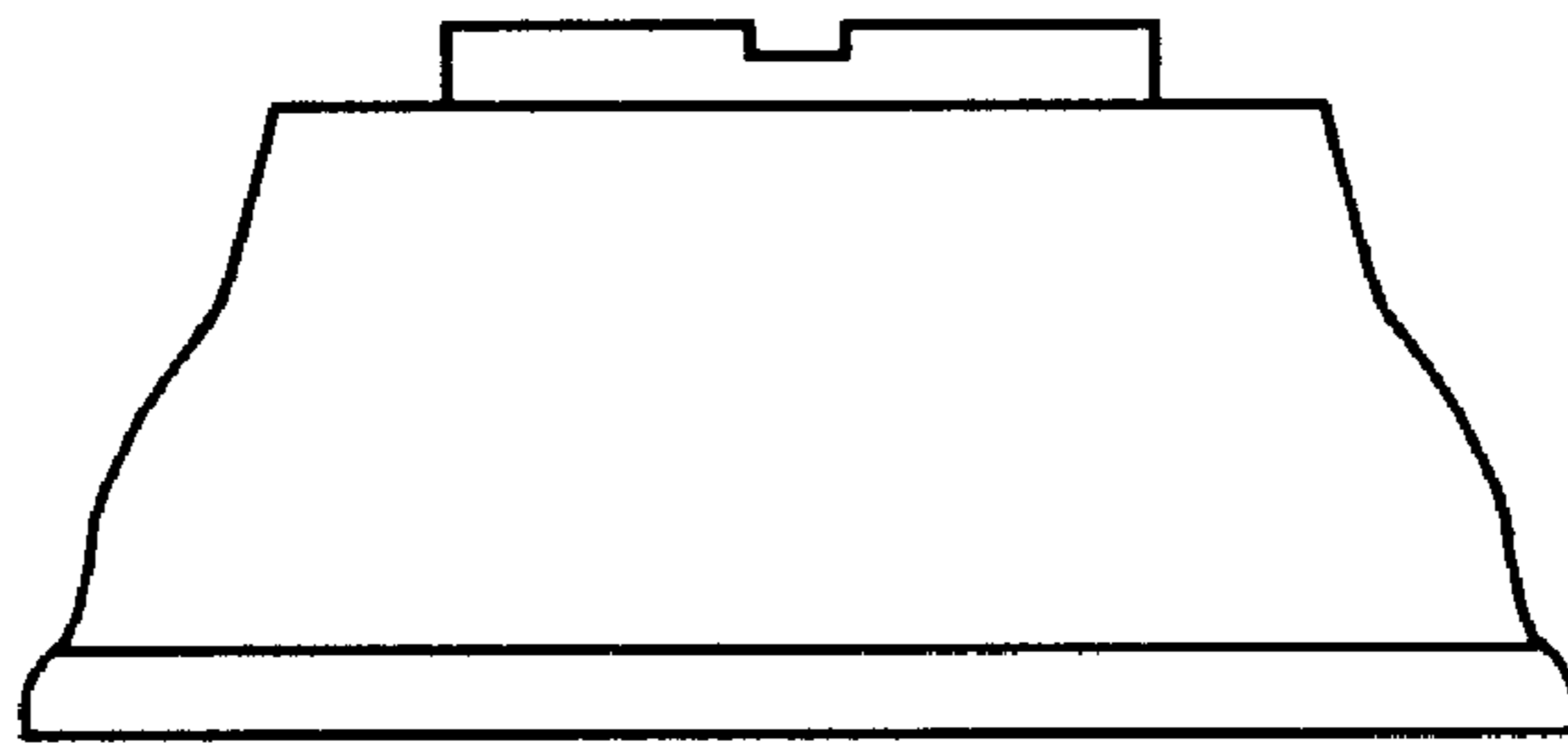


FIG. 7

