



US00D477655S

(12) **United States Design Patent**  
**Paine**

(10) **Patent No.:** **US D477,655 S**

(45) **Date of Patent:** **\*\* Jul. 22, 2003**

(54) **DRIPLESS HOSE BIB**

5,577,530 A \* 11/1996 Condon ..... 137/360  
6,431,520 B1 \* 8/2002 Ferrer Beltran ..... 251/288

(76) Inventor: **Lloyd D. Paine**, P.O. Box 398, Jamul,  
CA (US) 91935

\* cited by examiner

(\*\*) Term: **14 Years**

*Primary Examiner*—Nelson C. Holtje  
(74) *Attorney, Agent, or Firm*—Charles C. Logan, II

(21) Appl. No.: **29/175,673**

(57) **CLAIM**

(22) Filed: **Feb. 10, 2003**

The ornamental design for a dripless hose bib, as shown and described.

(51) **LOC (7) Cl.** ..... **23-01**

(52) **U.S. Cl.** ..... **D23/245**

(58) **Field of Search** ..... D23/233–237,  
D23/244–249; 251/288, 308, 98–99, 315.1;  
137/315.01, 315, 315.2, 315.12, 357–360

**DESCRIPTION**

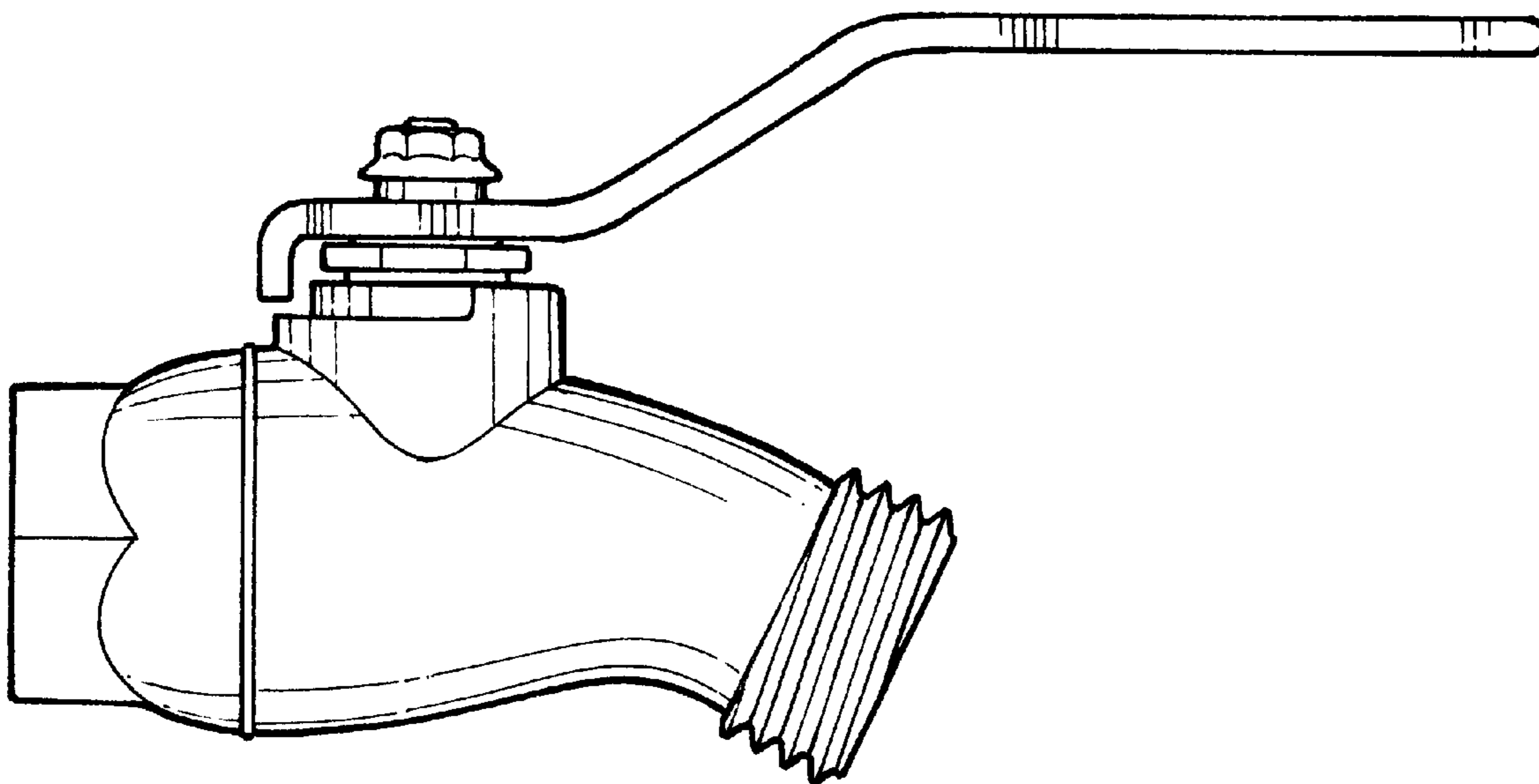
(56) **References Cited**

**U.S. PATENT DOCUMENTS**

D29,734 S	*	11/1898	Glauber	.....	D23/238
D31,363 S	*	8/1899	Glauber	.....	D23/238
955,979 A	*	4/1910	Murphy	.....	251/288
D46,024 S	*	6/1914	Hoffman	.....	D23/238
D117,892 S	*	12/1939	Bienimann	.....	D23/238
2,253,831 A	*	8/1941	Wantz	.....	251/288
3,184,212 A	*	5/1965	Billeter	.....	251/288 X
D297,354 S	*	8/1988	Wirth	.....	D23/245
D297,355 S	*	8/1988	Wirth	.....	D23/245
D318,319 S	*	7/1991	Rokita	.....	D23/238
5,072,913 A	*	12/1991	Carroll et al.	.....	251/99

FIG. 1 is a top plan view of the novel dripless hose bib having a female inlet port;  
FIG. 2 is a bottom view thereof;  
FIG. 3 is a left side elevation view thereof and the right side elevation view is identical but reversed;  
FIG. 4 is a front elevation view thereof;  
FIG. 5 is a rear elevation view thereof;  
FIG. 6 is a top plan view of a first alternative embodiment of the novel dripless hose bib having a male inlet port;  
FIG. 7 is a bottom plan view thereof;  
FIG. 8 is a left side elevation view thereof and the right side elevation view is identical but reversed; and,  
FIG. 9 is a rear elevation view thereof and the front elevation view of the first alternative embodiment would be the same as that illustrated in FIG. 4.

**1 Claim, 2 Drawing Sheets**



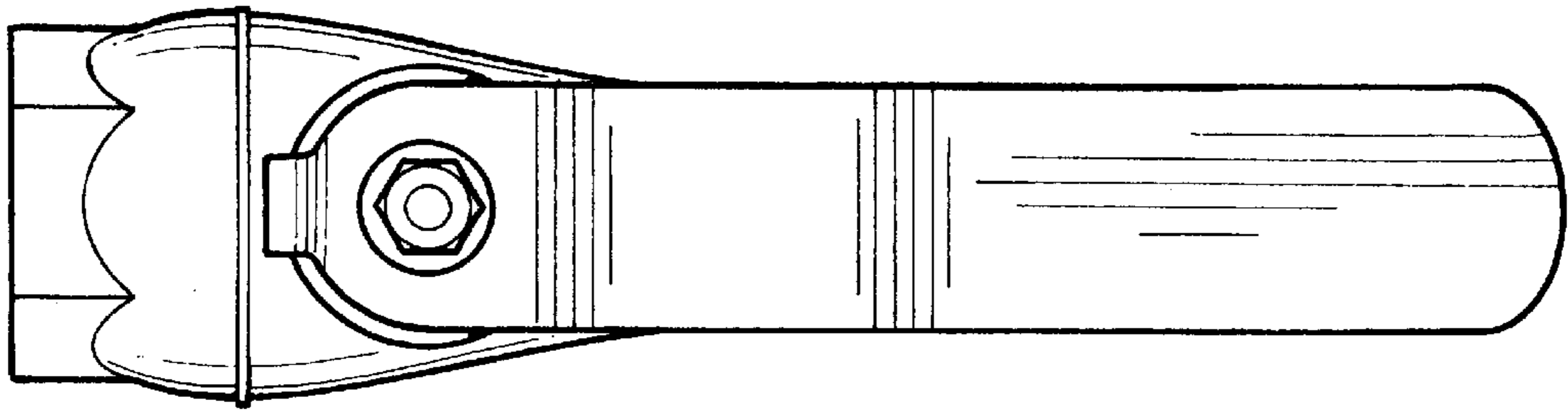


FIG. 1

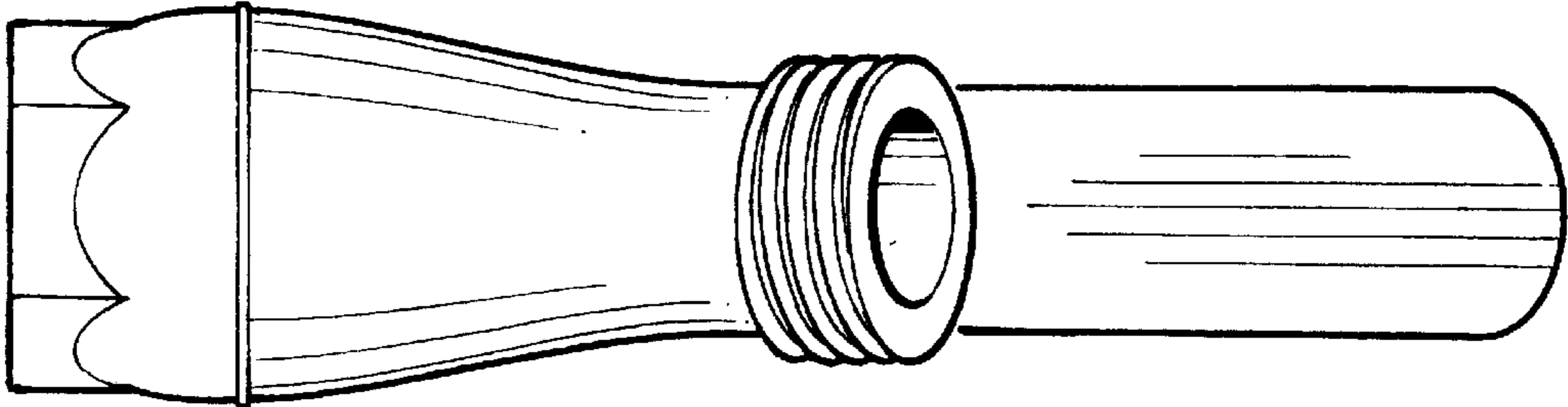


FIG. 2

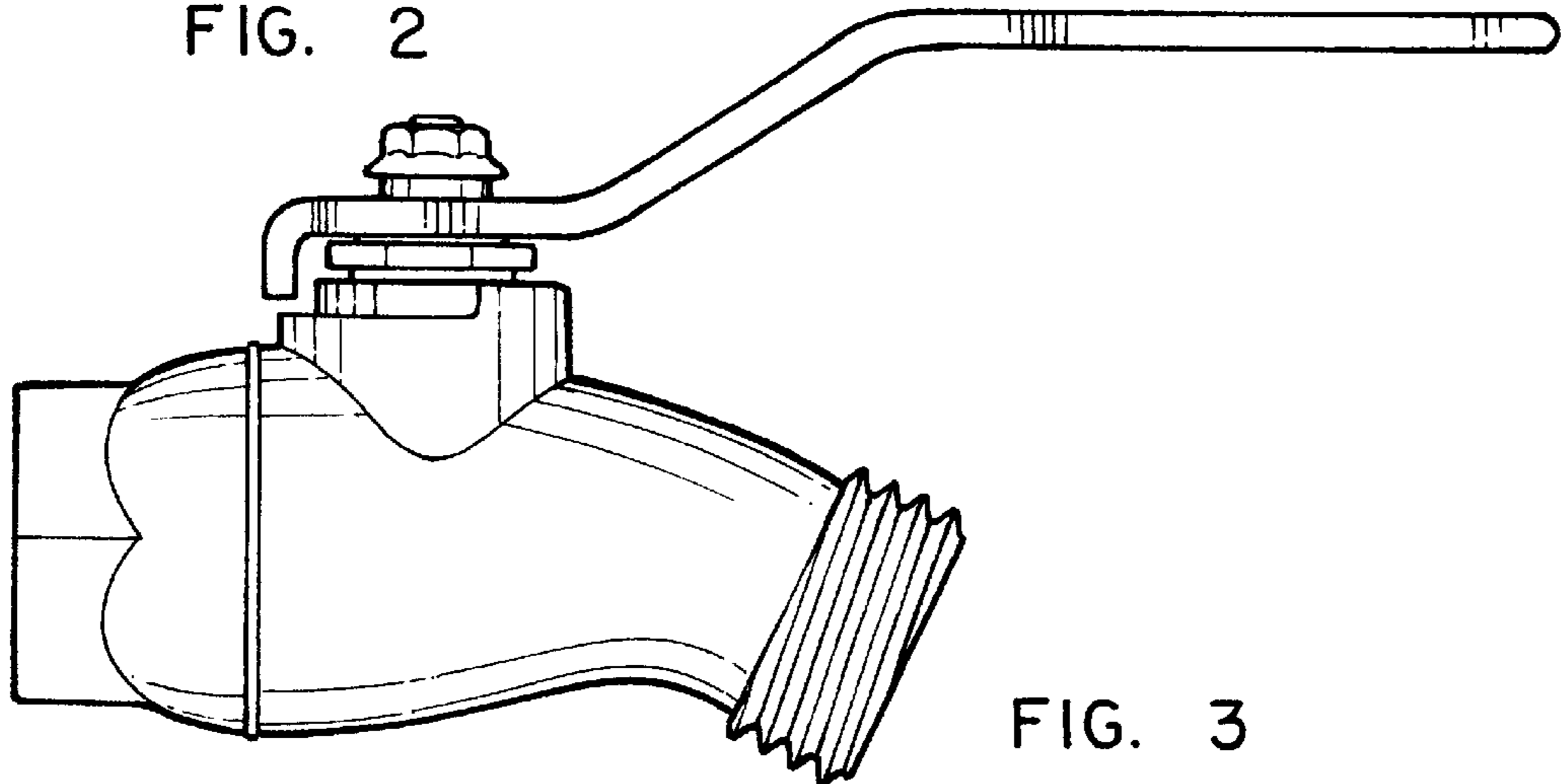


FIG. 3

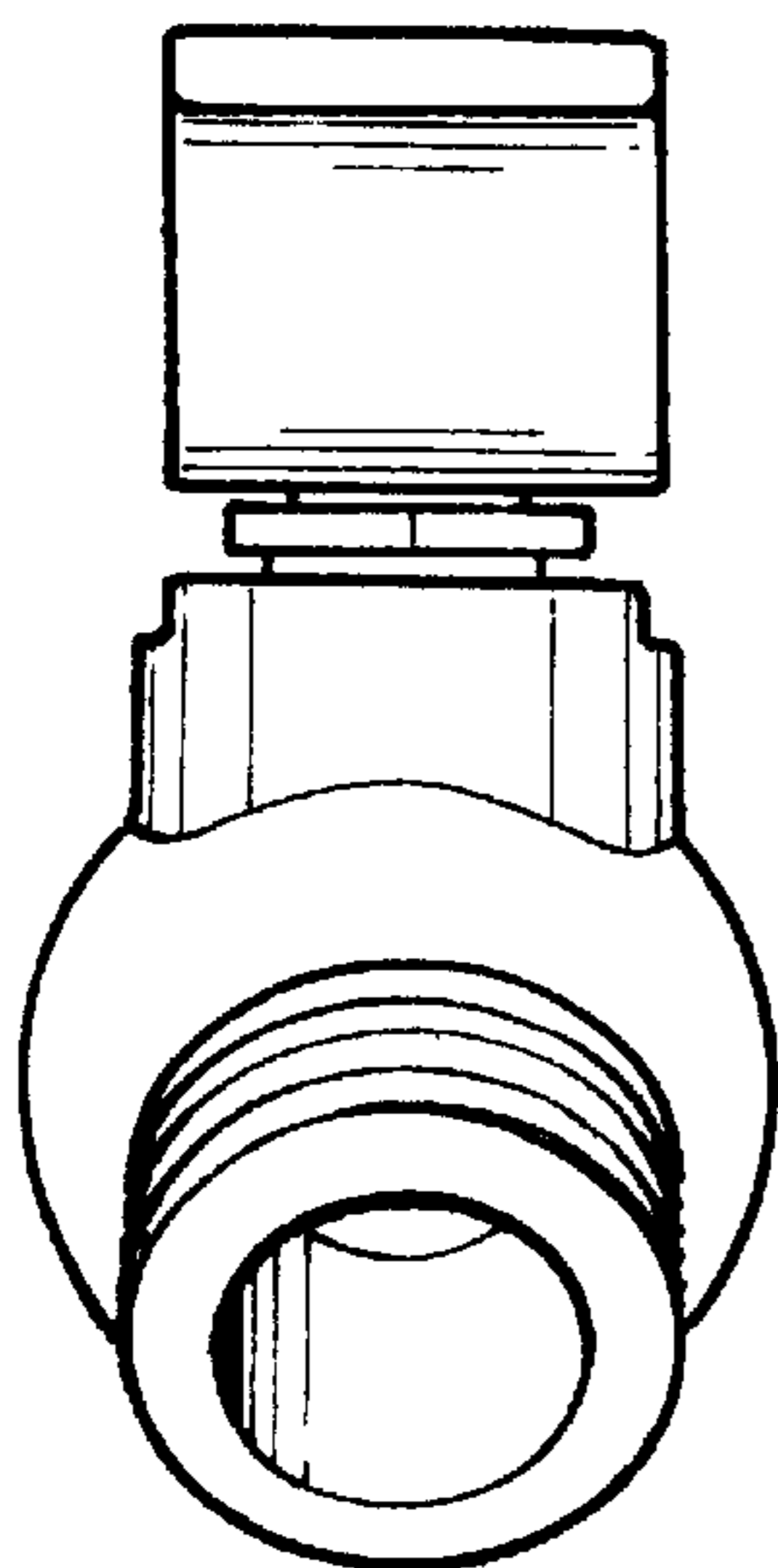


FIG. 4

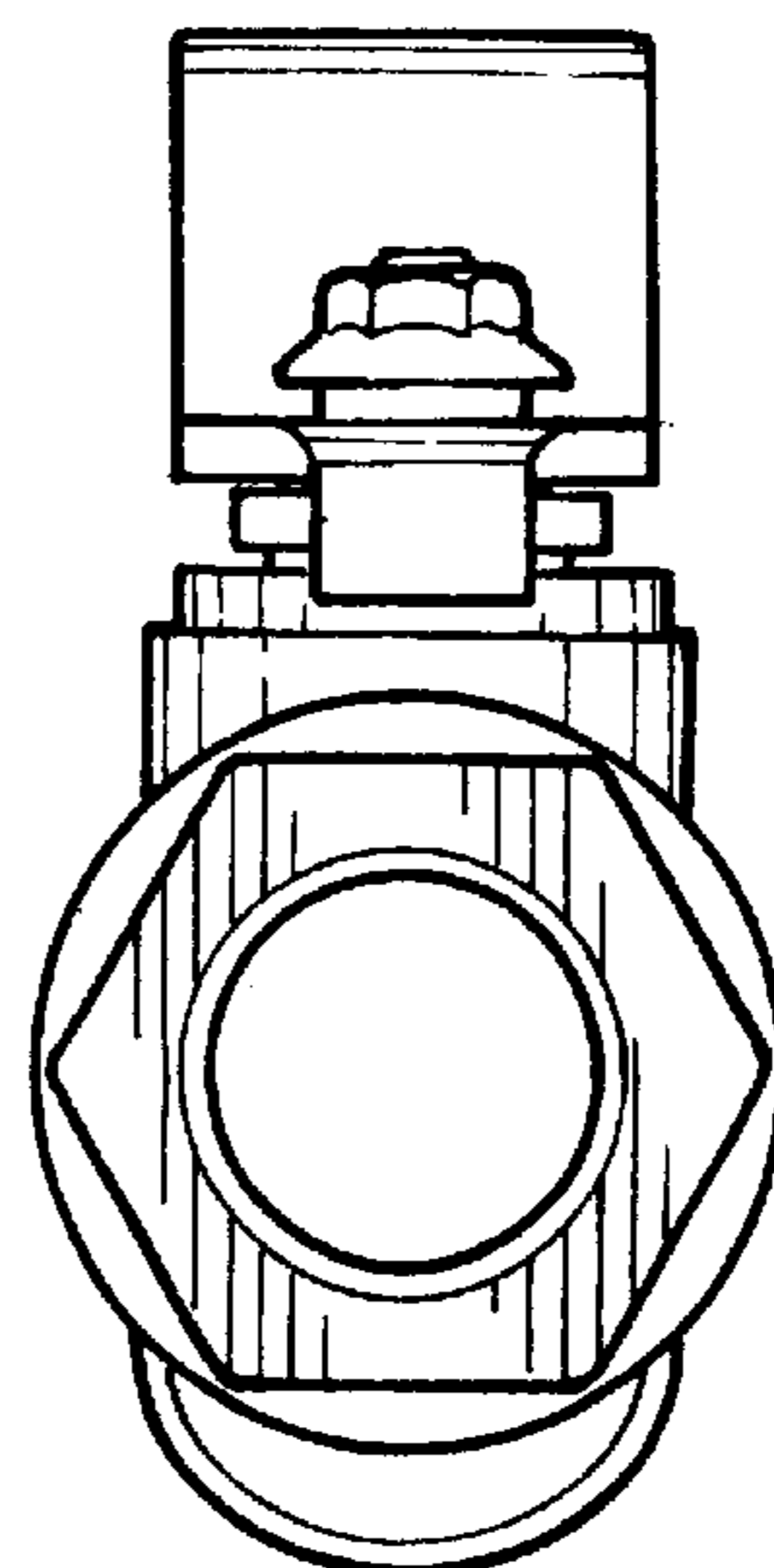


FIG. 5

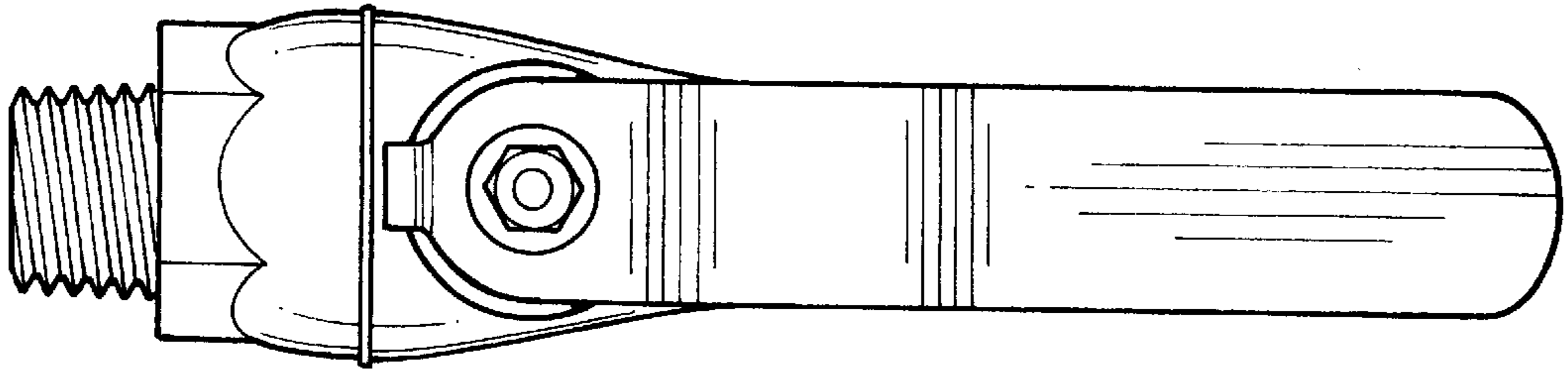


FIG. 6

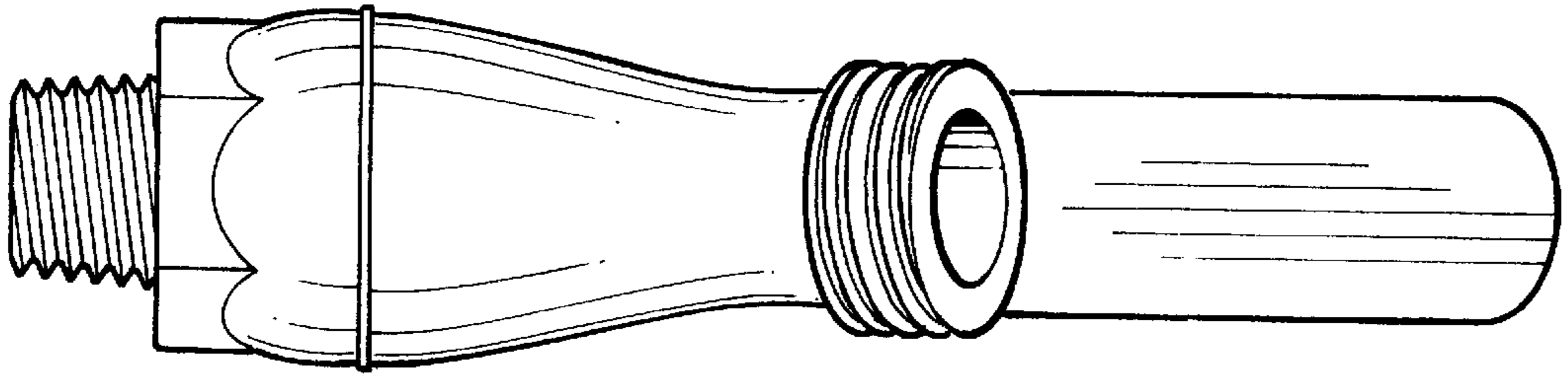


FIG. 7

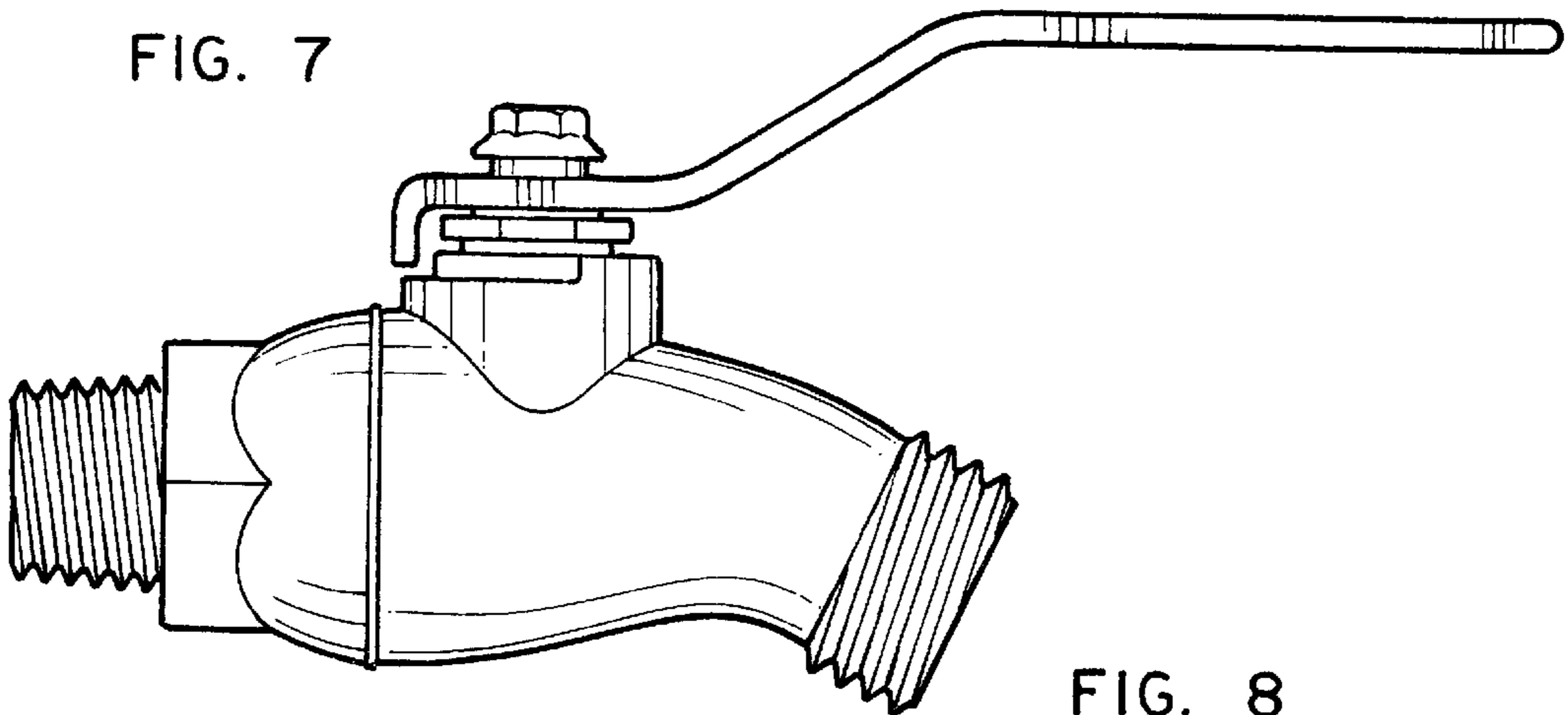


FIG. 8

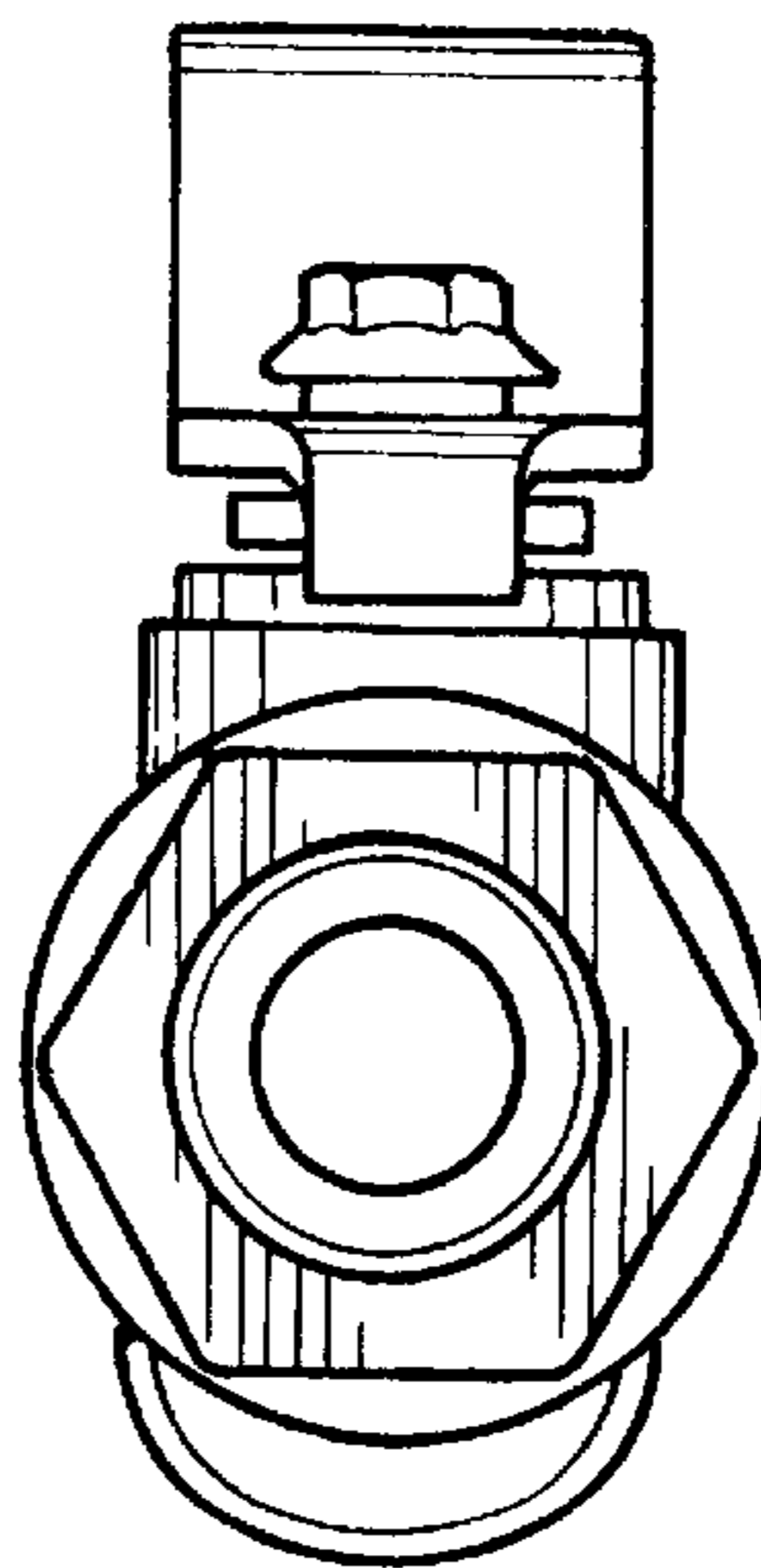


FIG. 9