



US00D477654S

(12) **United States Design Patent**
Citterio

(10) **Patent No.:** **US D477,654 S**

(45) **Date of Patent:** **** Jul. 22, 2003**

(54) **SANITARY FAUCET**

(75) Inventor: **Antonio Citterio**, Milan (IT)

(73) Assignee: **Hansgrohe AG**, Schiltach (DE)

(**) Term: **14 Years**

(21) Appl. No.: **29/166,716**

(22) Filed: **Sep. 3, 2002**

(30) **Foreign Application Priority Data**

Mar. 5, 2002 (DE) 4 02 01 868

(51) **LOC (7) Cl.** **23-01**

(52) **U.S. Cl.** **D23/242; D23/241**

(58) **Field of Search** **D23/238-243, D23/250-257; 4/675-678; 137/801**

(56) **References Cited**

U.S. PATENT DOCUMENTS

D86,672 S	*	4/1932	Ferguson	D23/250
D87,758 S	*	9/1932	Pope	D23/241
D106,319 S	*	10/1937	Morgan	D23/241
D265,229 S	*	6/1982	Paul	D23/242
D267,110 S	*	11/1982	Arnolds	D23/242
D297,756 S	*	9/1988	Paul	D23/242
D297,758 S	*	9/1988	Paul	D23/252
D461,539 S	*	8/2002	Gottwald	D23/255

OTHER PUBLICATIONS

RubINETTERIE Bandini, brochure "The Collections," two pages, Mar. 2002.

RubINETTERIE Alpi, brochure "Balmoral Collection," two pages, 1999.

Renata Piralla, catalog "Sign Collection 2001-2002," Mar. 2002.

RubINETTERIE Cristina, catalog "Collection Feb. 2000," pp. 18, 19, 2000.

RubINETTERIE Cristina, catalog "disegno," on page, Jan., 2001.

* cited by examiner

Primary Examiner—Louis S. Zarfes

Assistant Examiner—Gregory Andoll

(74) *Attorney, Agent, or Firm*—Duane Morris LLP

(57) **CLAIM**

The ornamental design for a sanitary faucet, as shown and described.

DESCRIPTION

FIG. 1: is a side perspective view of the sanitary faucet showing my new design;

FIG. 2: is a front elevation view thereof;

FIG. 3: is a rear elevation view thereof;

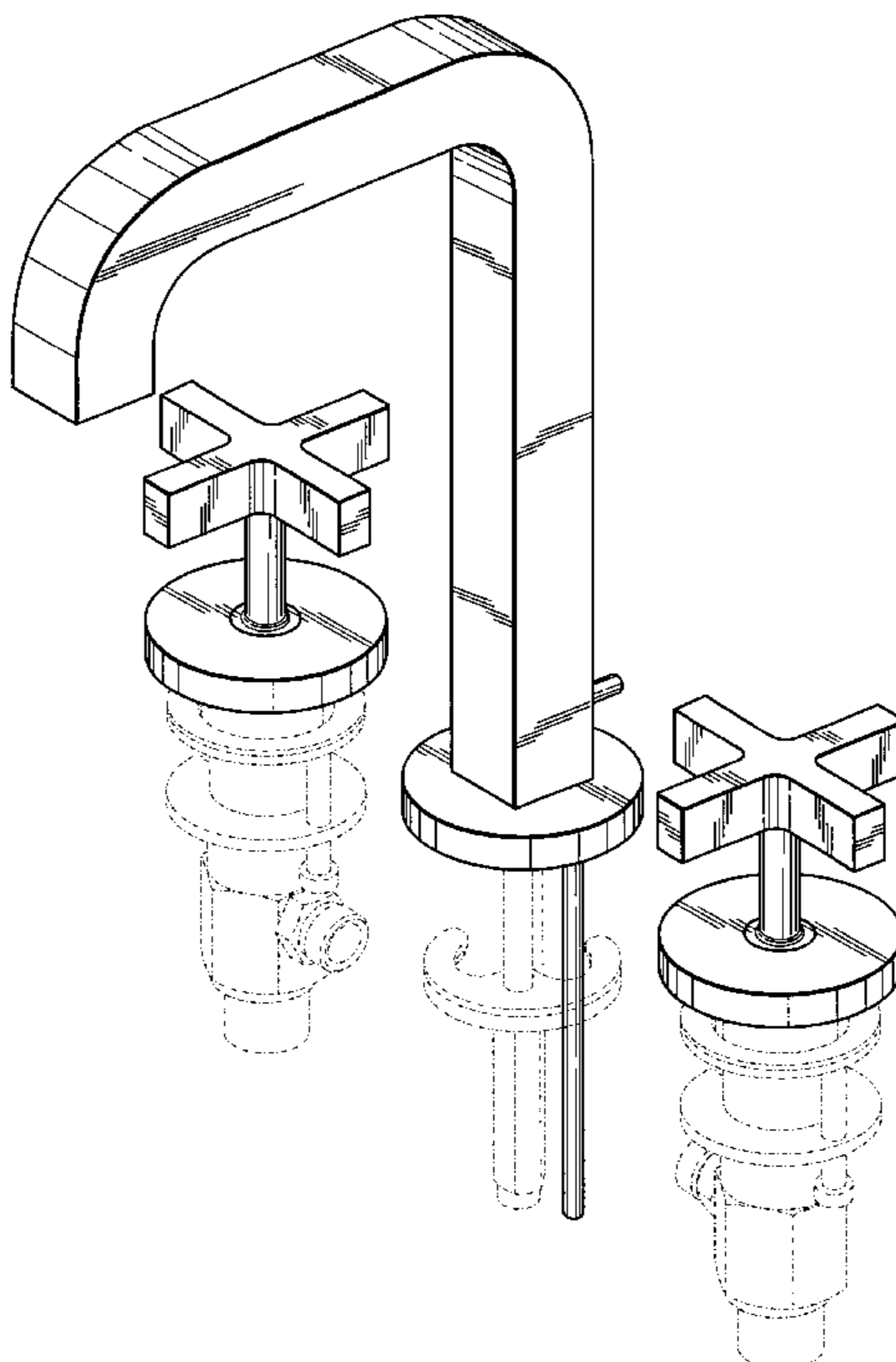
FIG. 4: is a side elevation view thereof, the opposite side being a mirror image;

FIG. 5: is a top plan view thereof; and,

FIG. 6: is a bottom plan view thereof.

The broken lines in the Figures are for illustrative purposes and form no part of the claimed design.

1 Claim, 6 Drawing Sheets



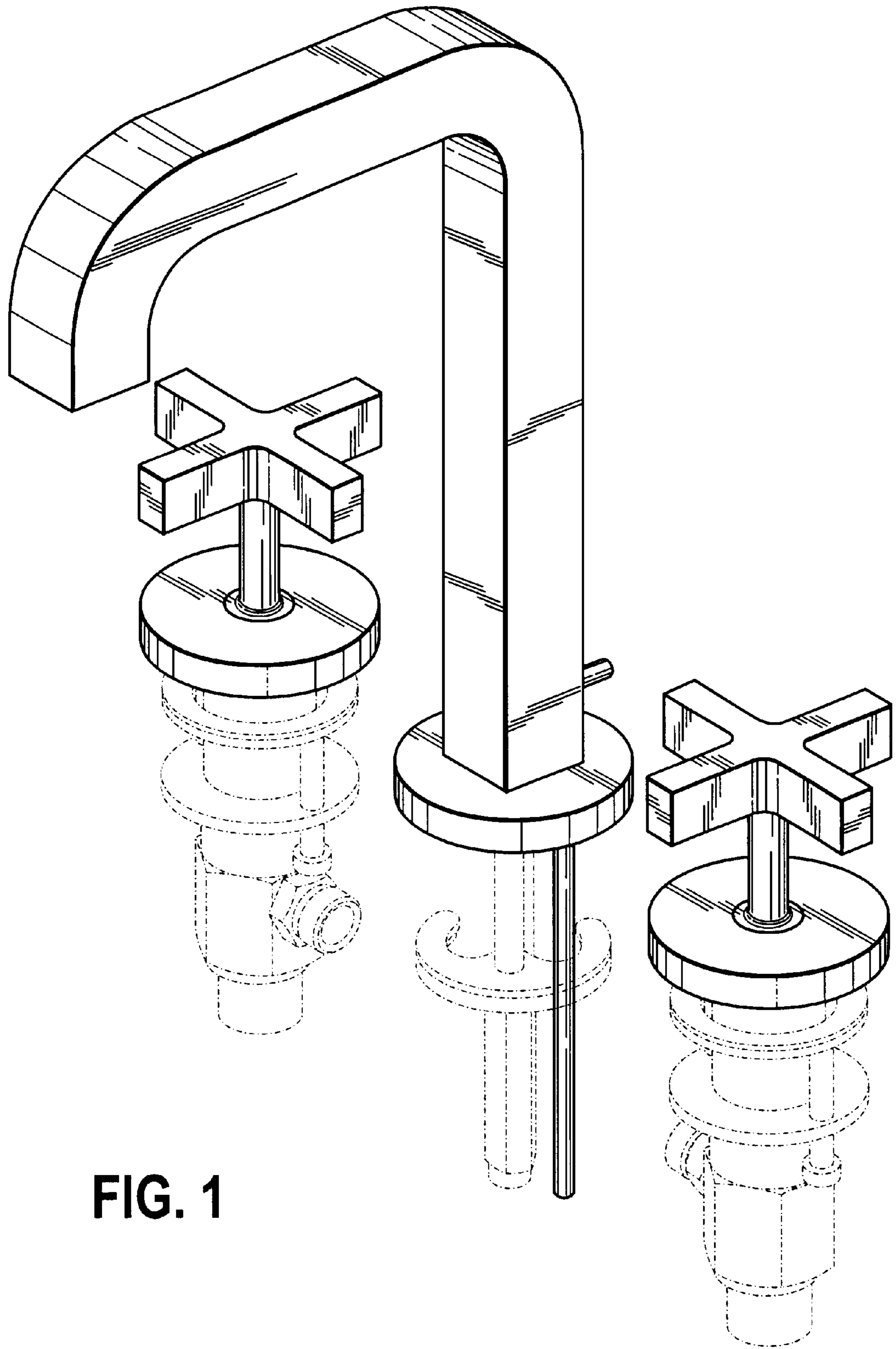


FIG. 1

FIG. 2

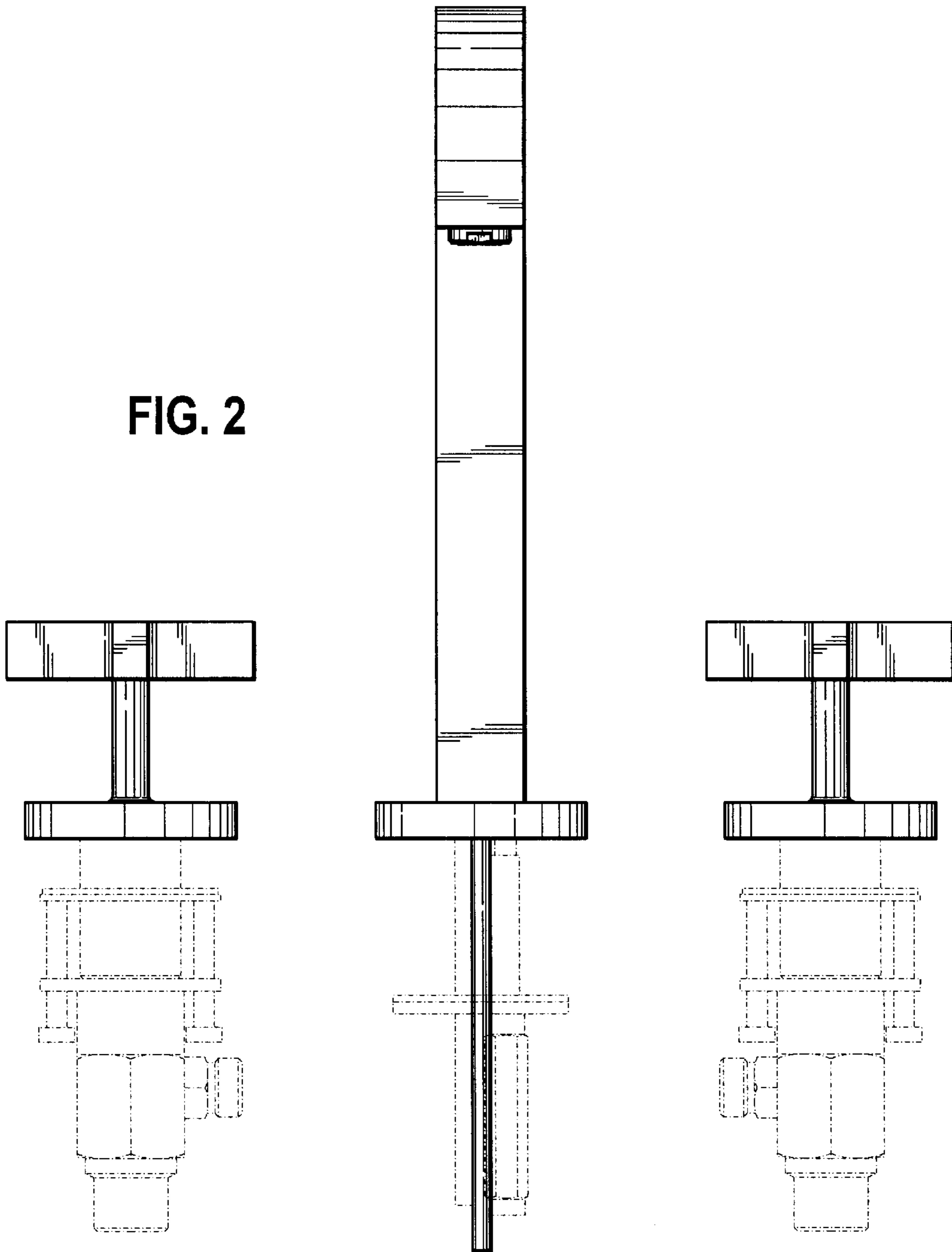
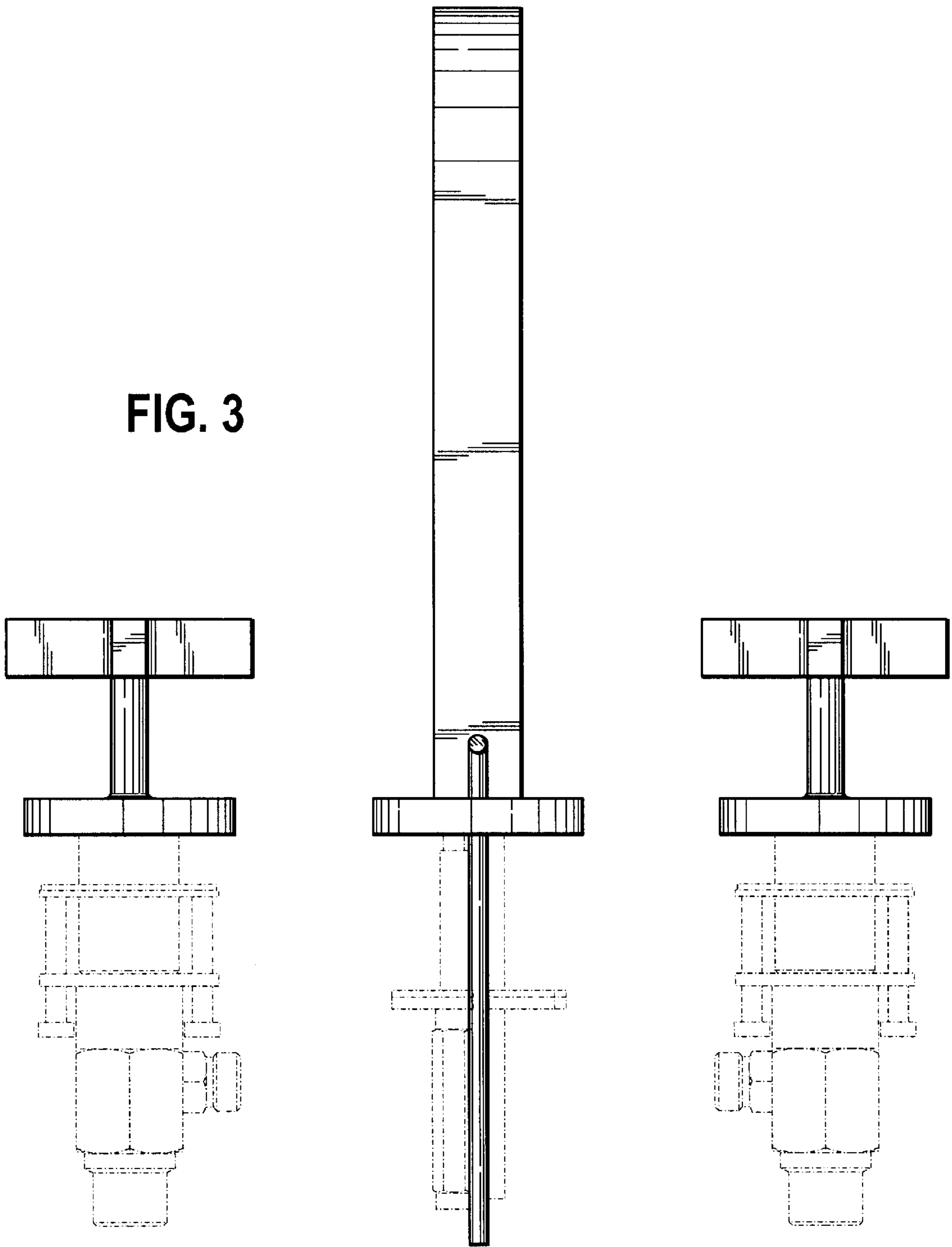


FIG. 3



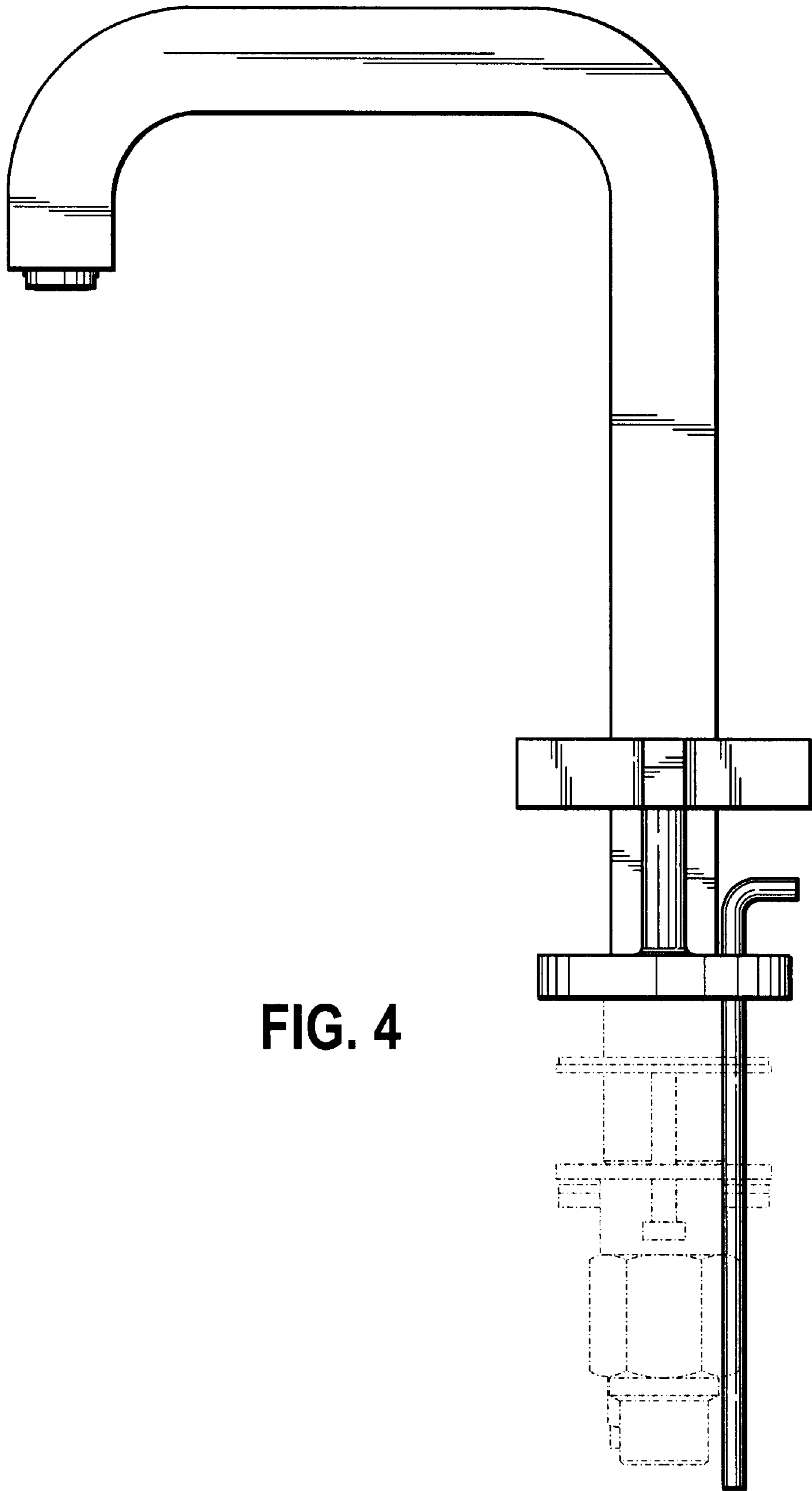


FIG. 4

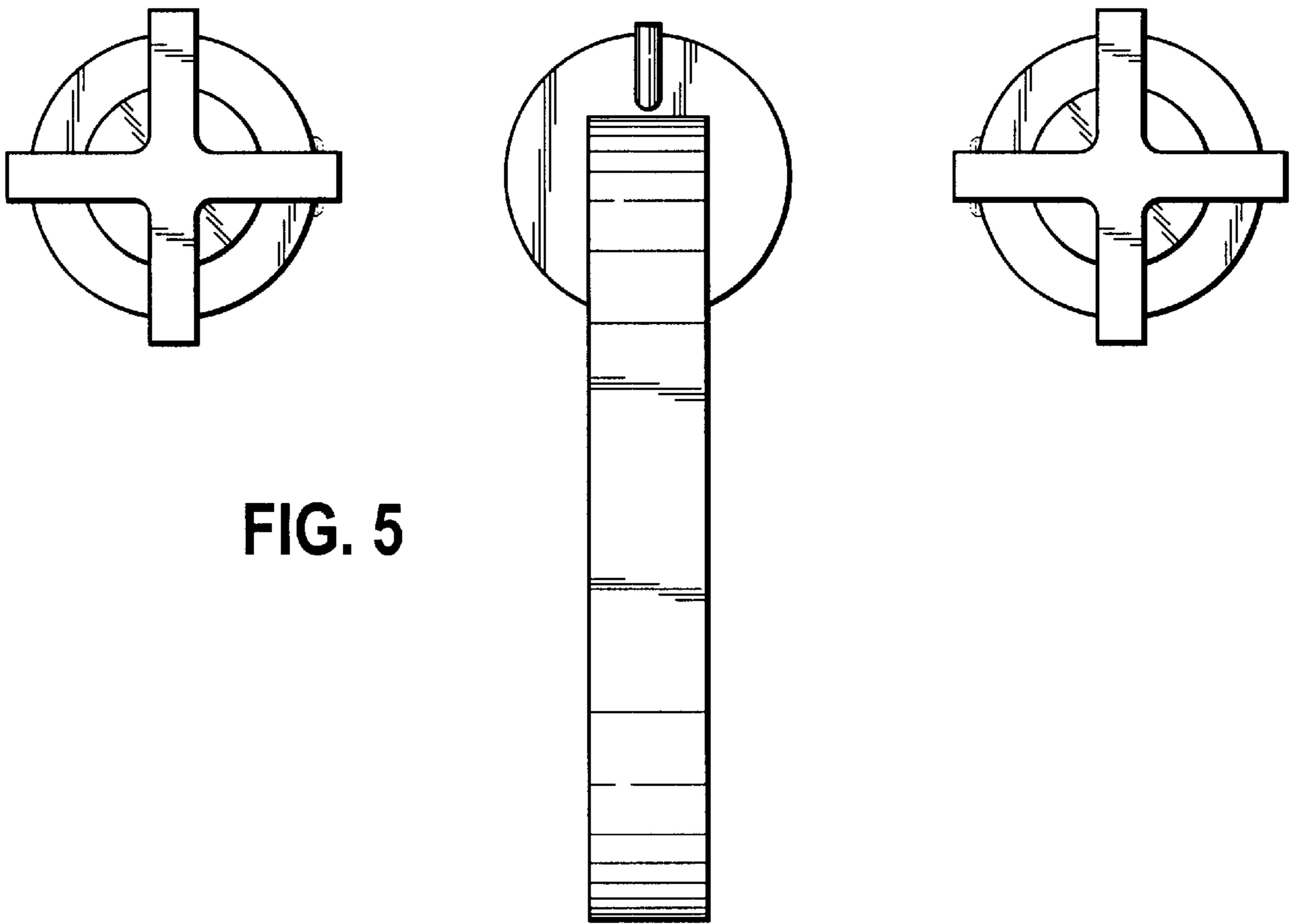


FIG. 5

FIG. 6

