



US00D477649S

(12) **United States Design Patent**
Tseng

(10) **Patent No.:** **US D477,649 S**

(45) **Date of Patent:** **** Jul. 22, 2003**

(54) **TENT**
(75) **Inventor:** **Chuen-Jong Tseng, Chiayi Hsien (TW)**
(73) **Assignee:** **Shin Yeh Enterprise Co., Ltd., Chiayi Hsien (TW)**
(**) **Term:** **14 Years**

5,335,684 A * 8/1994 Hanninen 135/124
5,595,203 A * 1/1997 Espinosa 135/123
5,660,002 A * 8/1997 Lashinger 52/63
6,112,756 A * 9/2000 Tseng 135/123
D438,929 S * 3/2001 Middleton et al. D21/834
6,505,638 B1 * 1/2003 Powell et al. 135/115

* cited by examiner

Primary Examiner—Raphael Barkai
(74) *Attorney, Agent, or Firm*—Ladas & Parry

(21) **Appl. No.:** **29/164,262**
(22) **Filed:** **Jul. 19, 2002**
(51) **LOC (7) Cl.** **21-04**
(52) **U.S. Cl.** **D21/837; D21/834**
(58) **Field of Search** **D21/834-840;**
D25/16, 19, 56, 26, 32, 13; D12/403, 404;
135/121, 123, 124, 128, 136, 157, 158,
160, 115; 52/63, 223.1, 223.14

(57) **CLAIM**

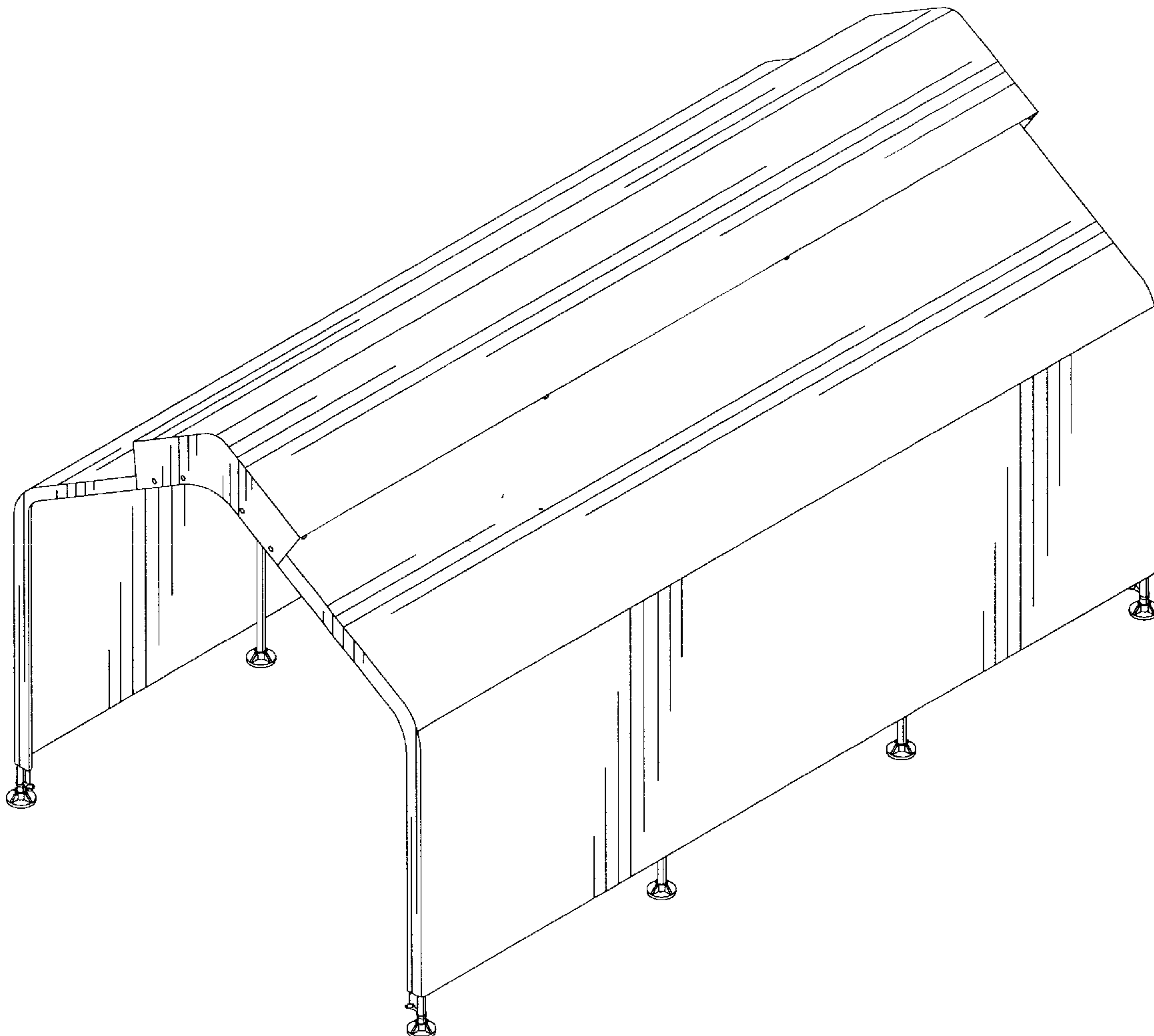
The ornamental design for tent, as shown and described.

DESCRIPTION

FIG. 1 is a perspective view of tent showing my new design;
FIG. 2 is a front elevational view thereof;
FIG. 3 is a rear elevational view thereof;
FIG. 4 is a left side elevational view thereof;
FIG. 5 is a right side elevational view thereof;
FIG. 6 is a top plan view thereof; and,
FIG. 7 is a bottom plan view thereof.

(56) **References Cited**
U.S. PATENT DOCUMENTS
4,793,371 A * 12/1988 O'Ferrell et al. 135/160
D337,979 S * 8/1993 Napieraj D12/403

1 Claim, 4 Drawing Sheets



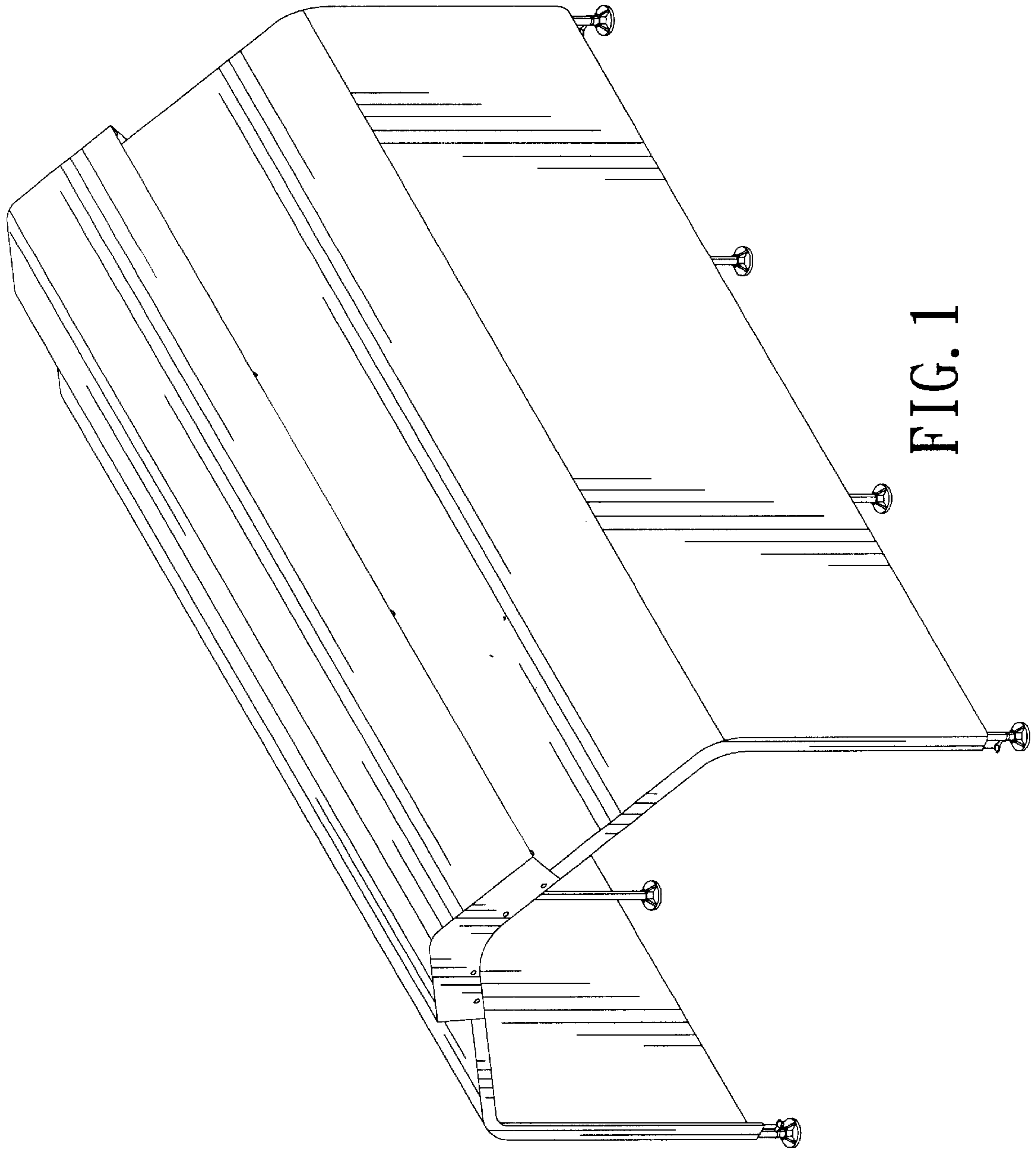


FIG. 1

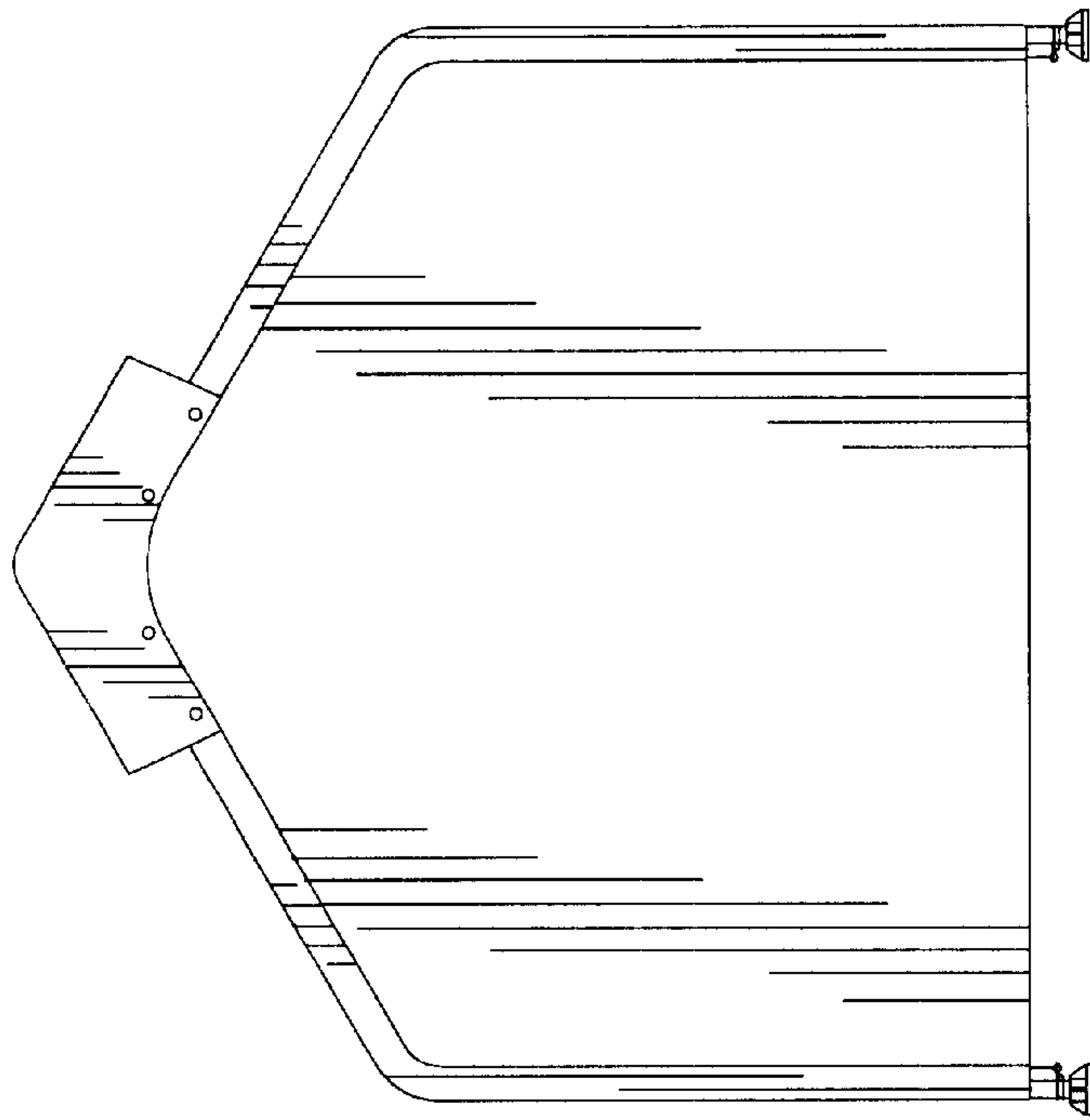


FIG. 3

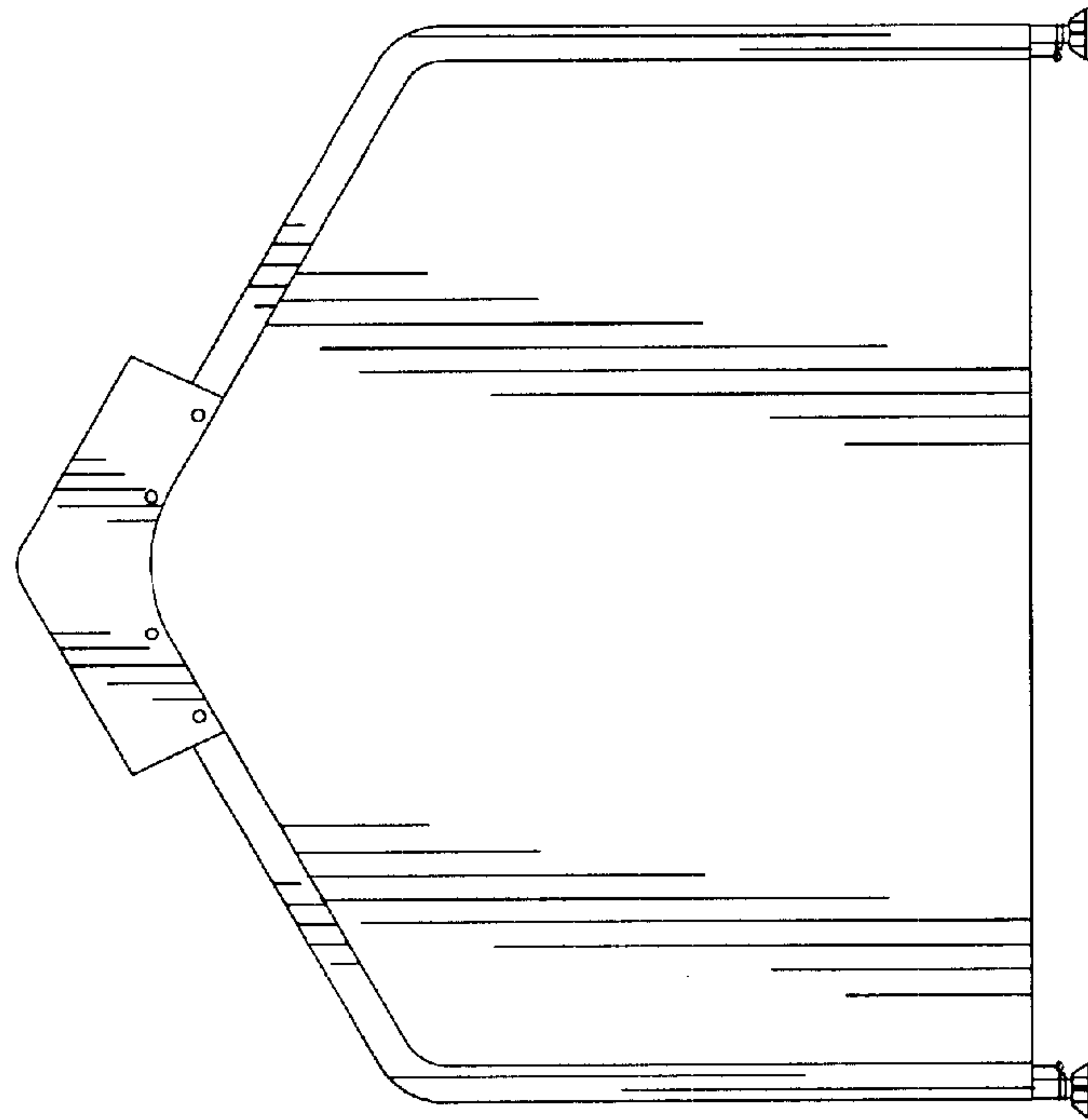


FIG. 2

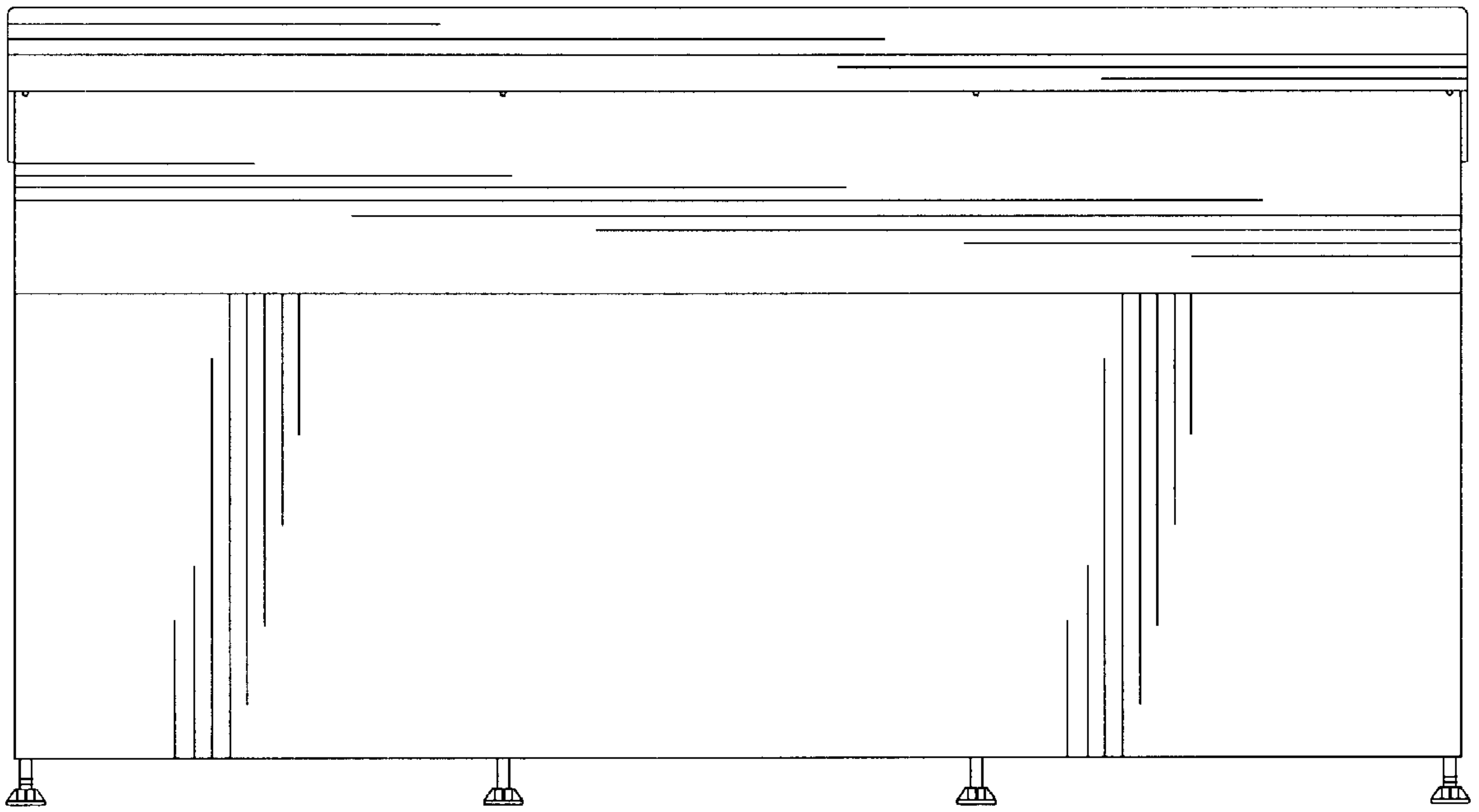


FIG. 4

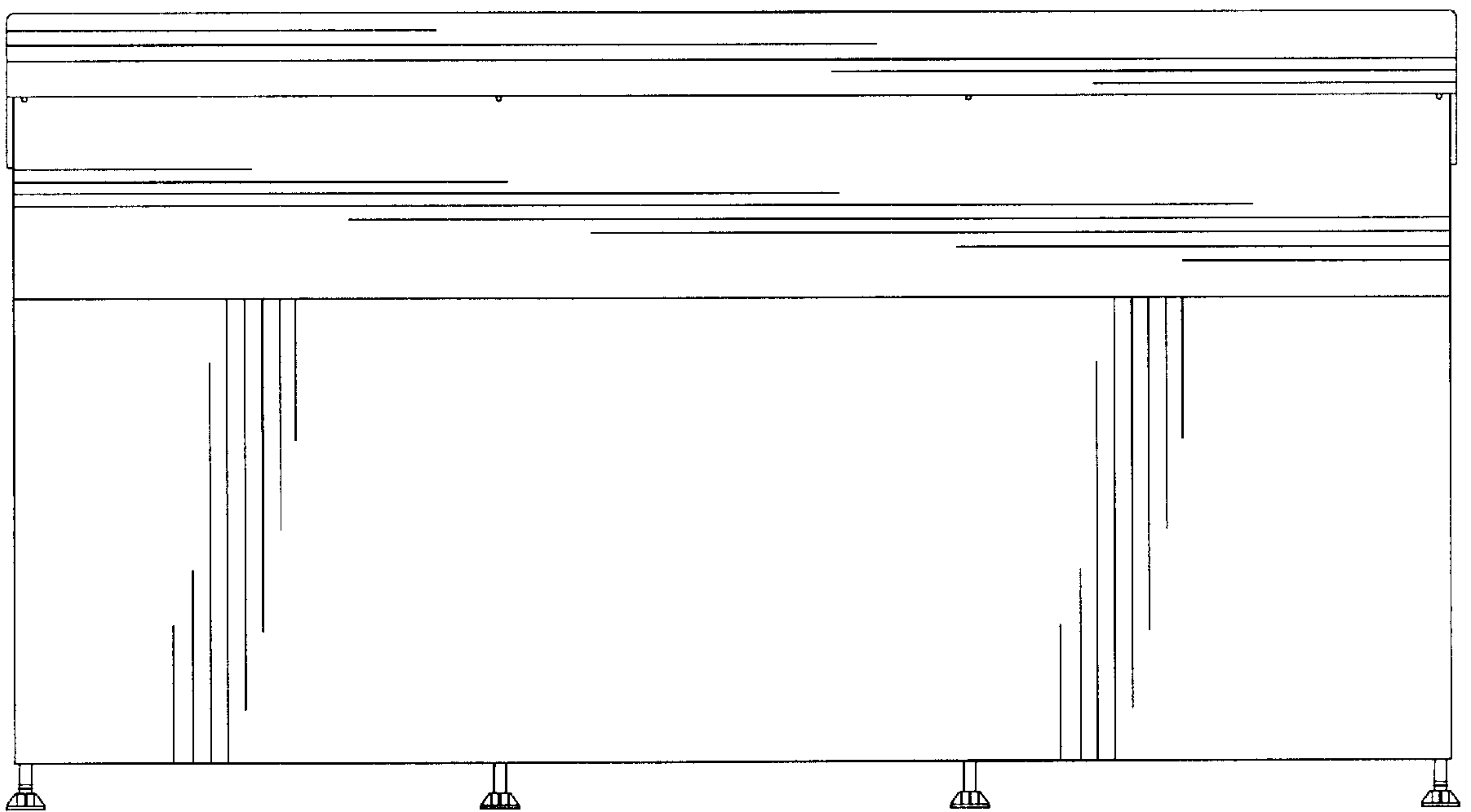


FIG. 5

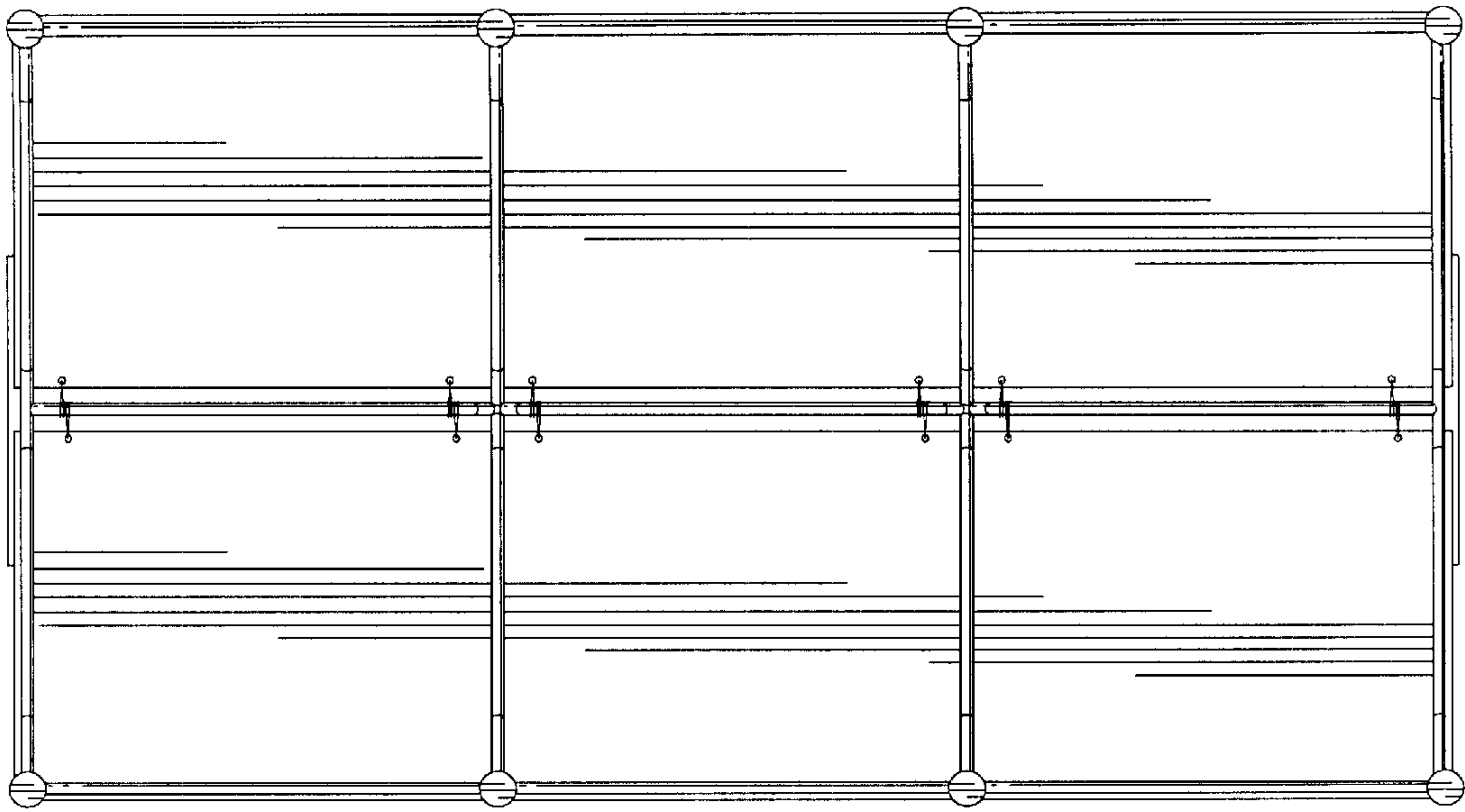


FIG. 7

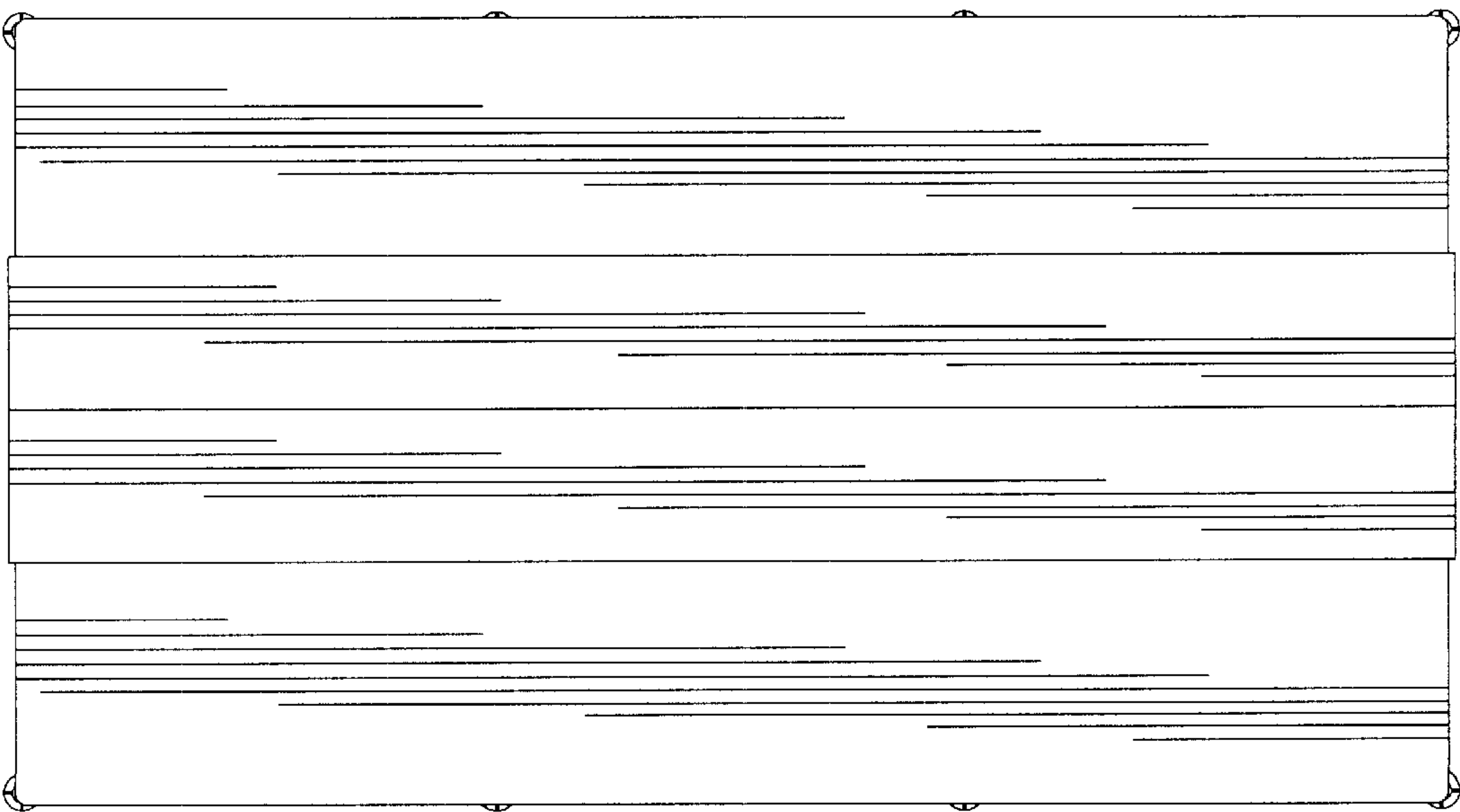


FIG. 6