



US00D477648S

(12) **United States Design Patent**
Smith

(10) **Patent No.:** **US D477,648 S**

(45) **Date of Patent:** **** Jul. 22, 2003**

(54) **SKATEBOARD TRUCK**

6,428,023 B2 * 8/2002 Reyes et al. 280/87.042

(75) Inventor: **Marc Smith**, 298 Green Lea Pl.,
Thousand Oaks, CA (US) 91361

* cited by examiner

Primary Examiner—Raphael Barkai

(73) Assignee: **Marc Smith**, Thousand Oaks, CA (US)

(57) **CLAIM**

(**) Term: **14 Years**

I claim the ornamental design for a skateboard truck, as shown and described.

(21) Appl. No.: **29/156,778**

DESCRIPTION

(22) Filed: **Mar. 6, 2002**

(51) **LOC (7) Cl.** **21-02**

(52) **U.S. Cl.** **D21/771**

(58) **Field of Search** D21/771, 765,
D21/779; D12/112; 280/11.26–11.28, 87.1

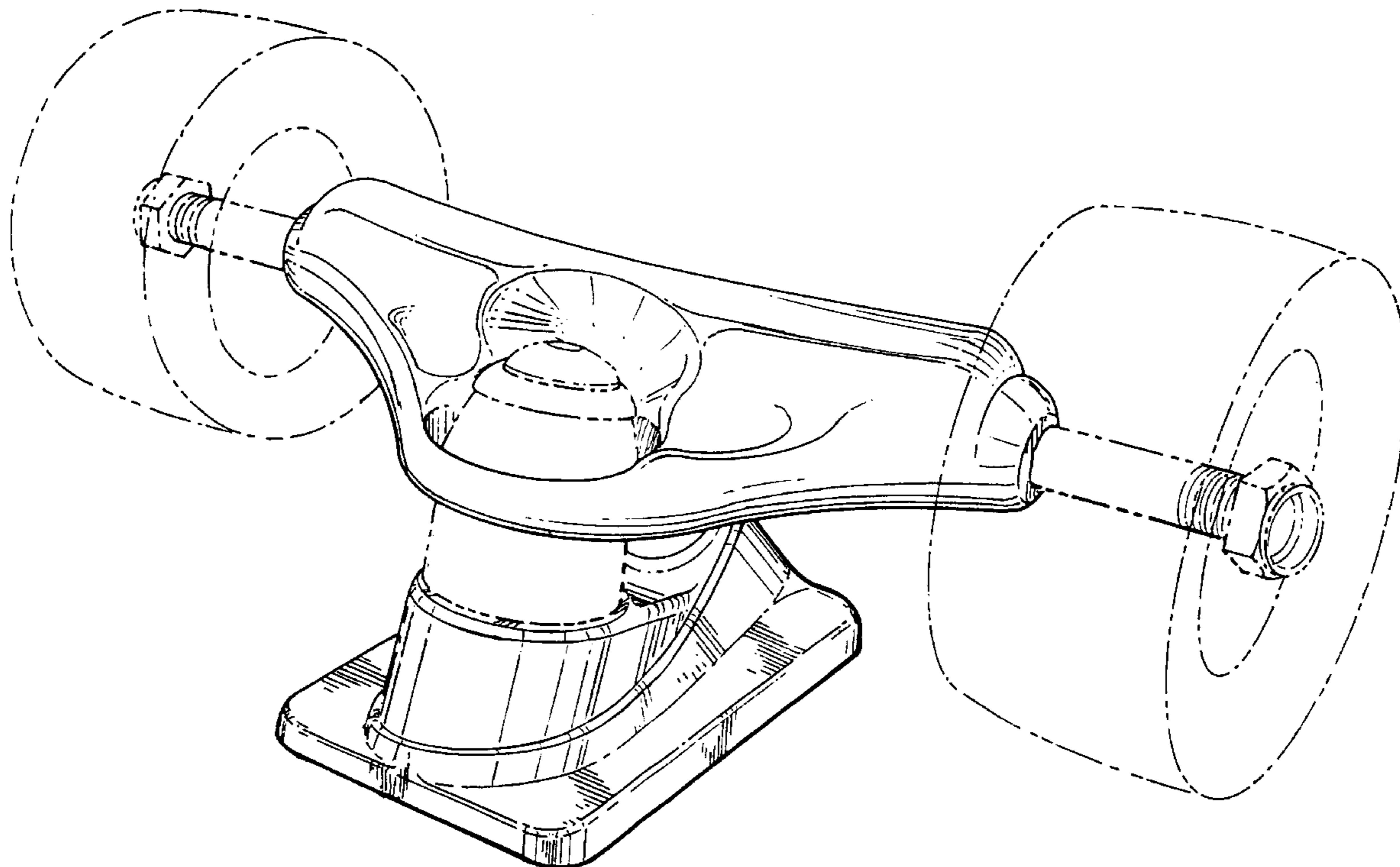
FIG. 1 is a front perspective view of the skateboard truck; FIG. 2 is a rear elevational view of the skateboard truck; FIG. 3 is a front elevational view of the skateboard truck; FIG. 4 is a side elevational view of the skateboard truck; FIG. 5 is a top perspective view of the skateboard truck; and, FIG. 6 is a bottom perspective view of the skateboard truck. The broken line showing of wheels, axles and nuts is for illustrative purposes only and forms no part of the claimed design.

(56) **References Cited**

U.S. PATENT DOCUMENTS

- D404,784 S * 1/1999 Ramage D21/771
- D421,082 S * 2/2000 Lopez D21/771
- 6,367,819 B1 * 4/2002 Andersen et al. 280/11.28

1 Claim, 3 Drawing Sheets



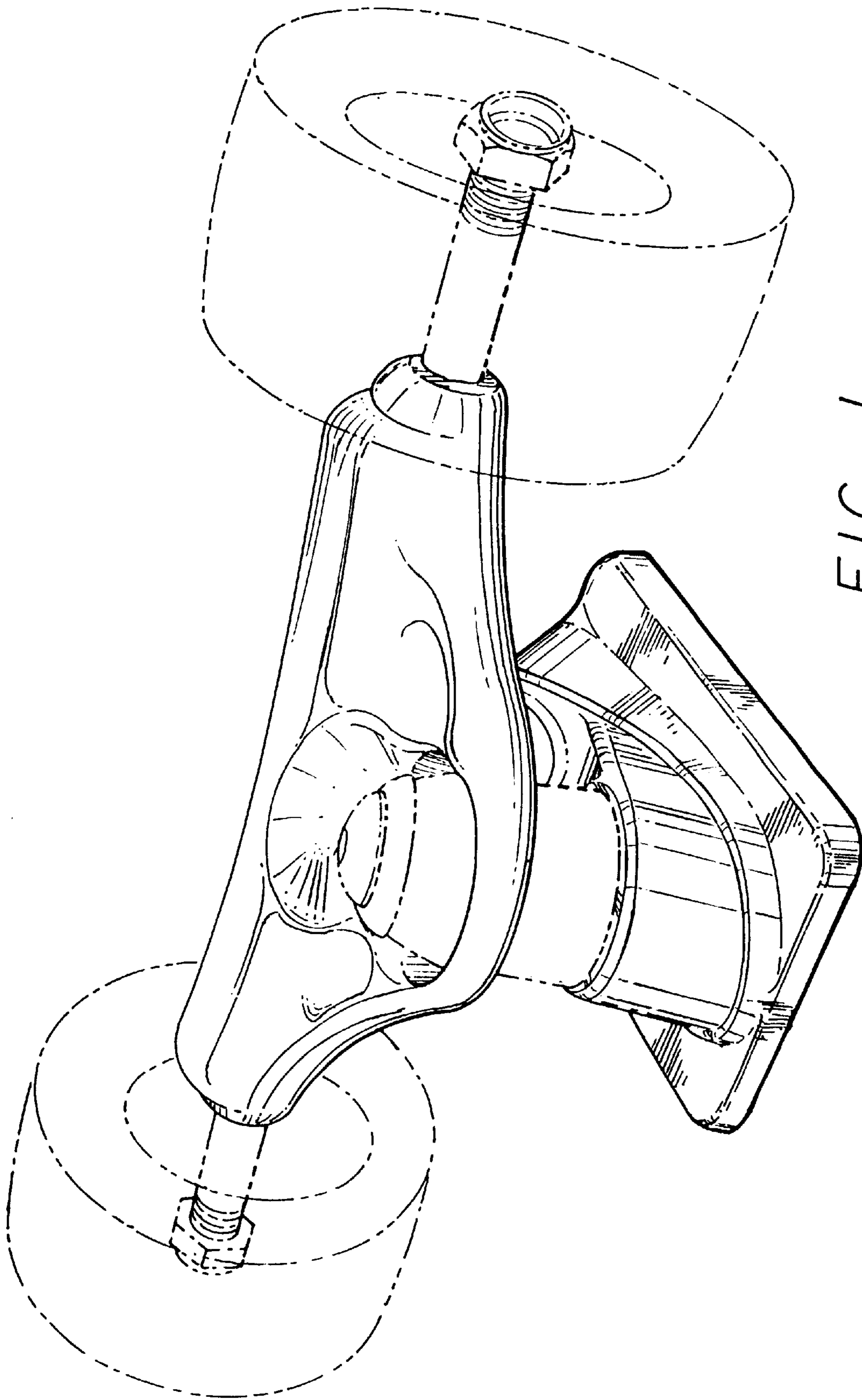


FIG. 1

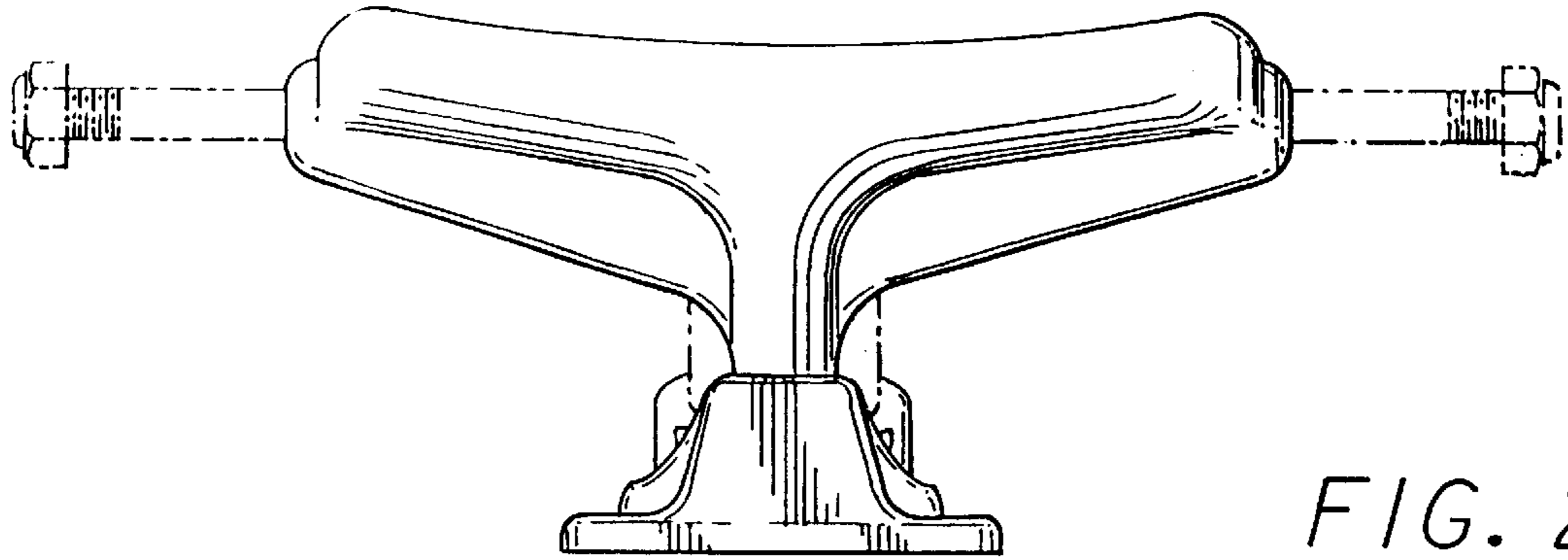


FIG. 2

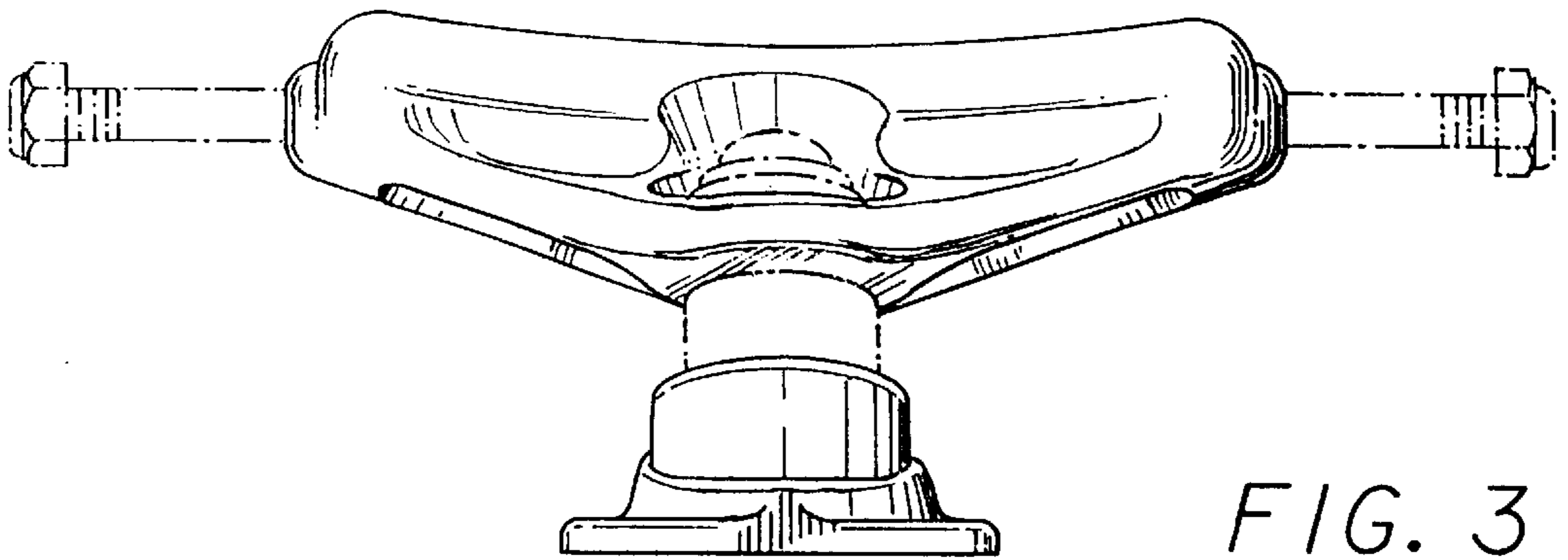


FIG. 3

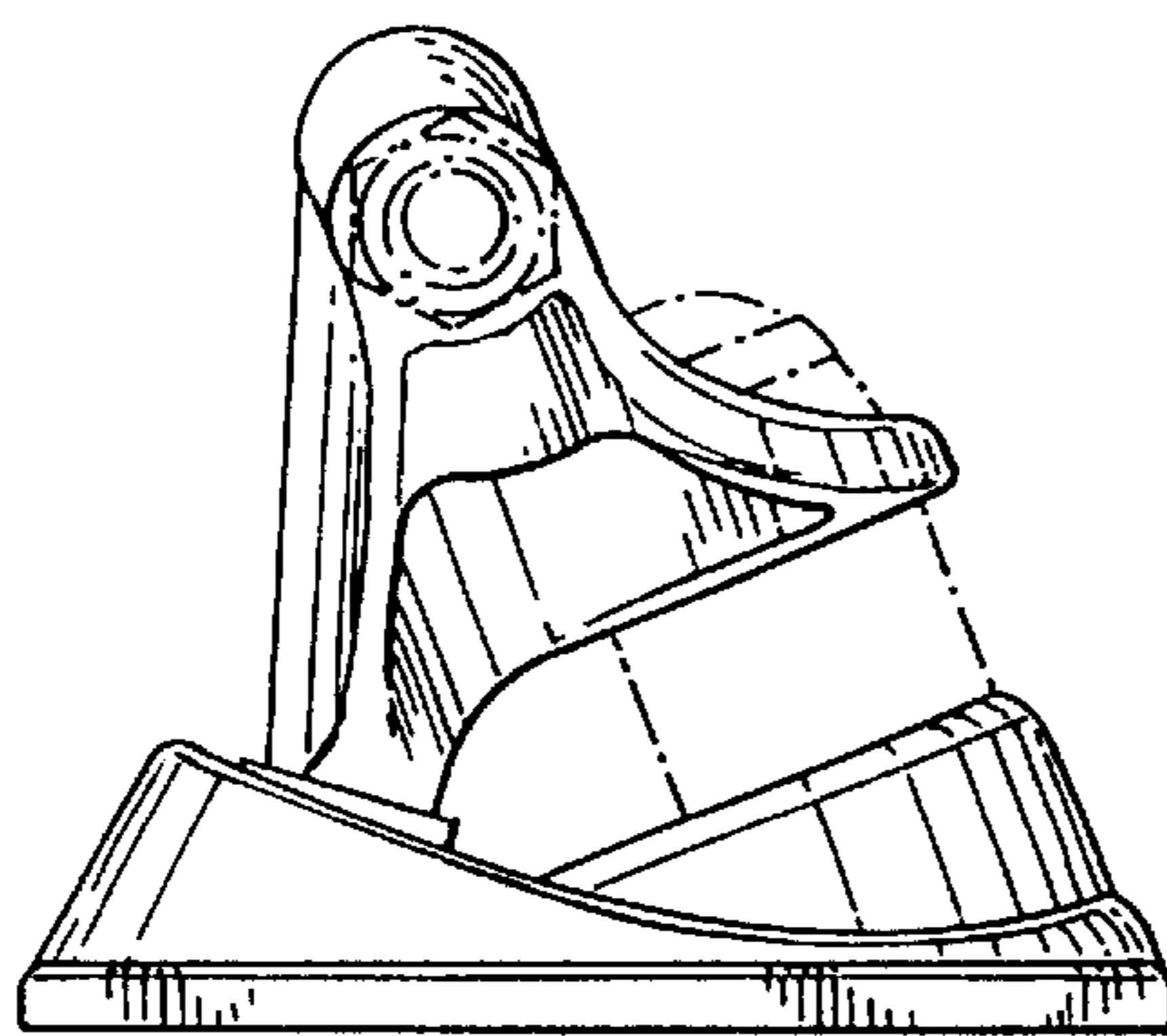


FIG. 4

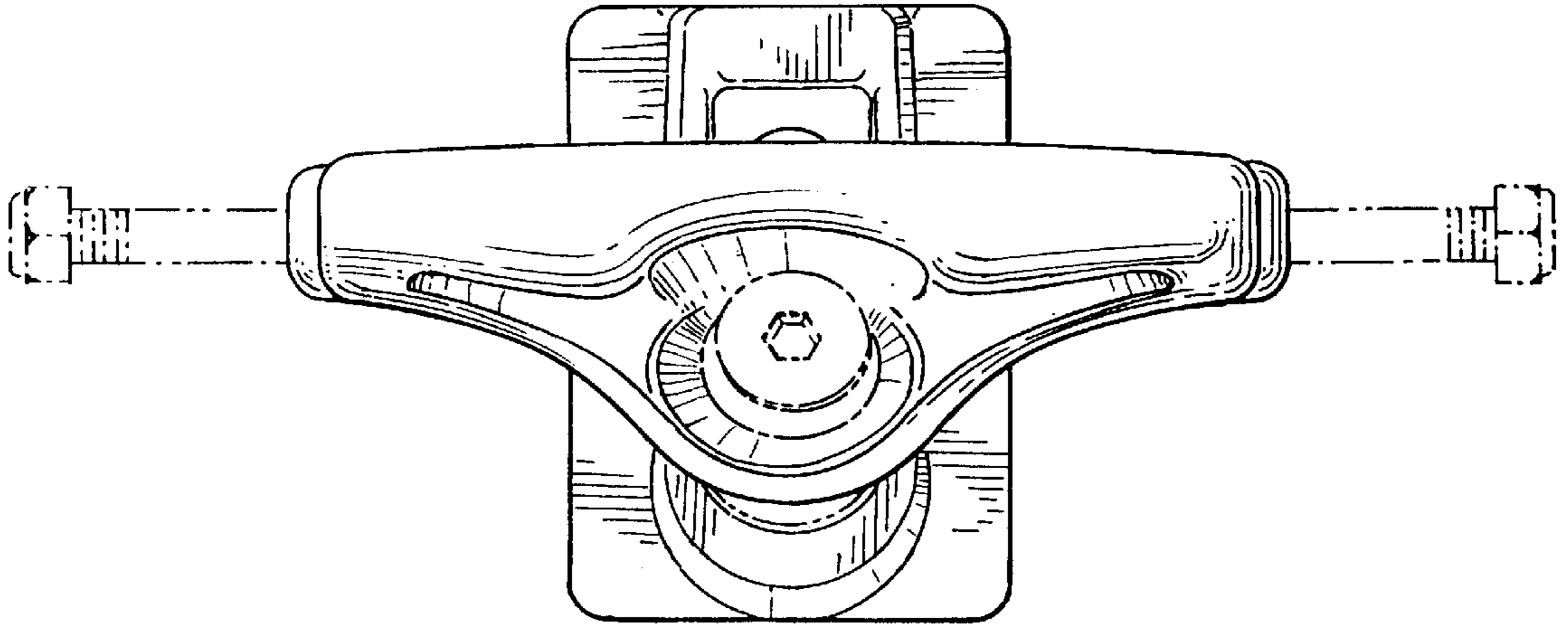


FIG. 5

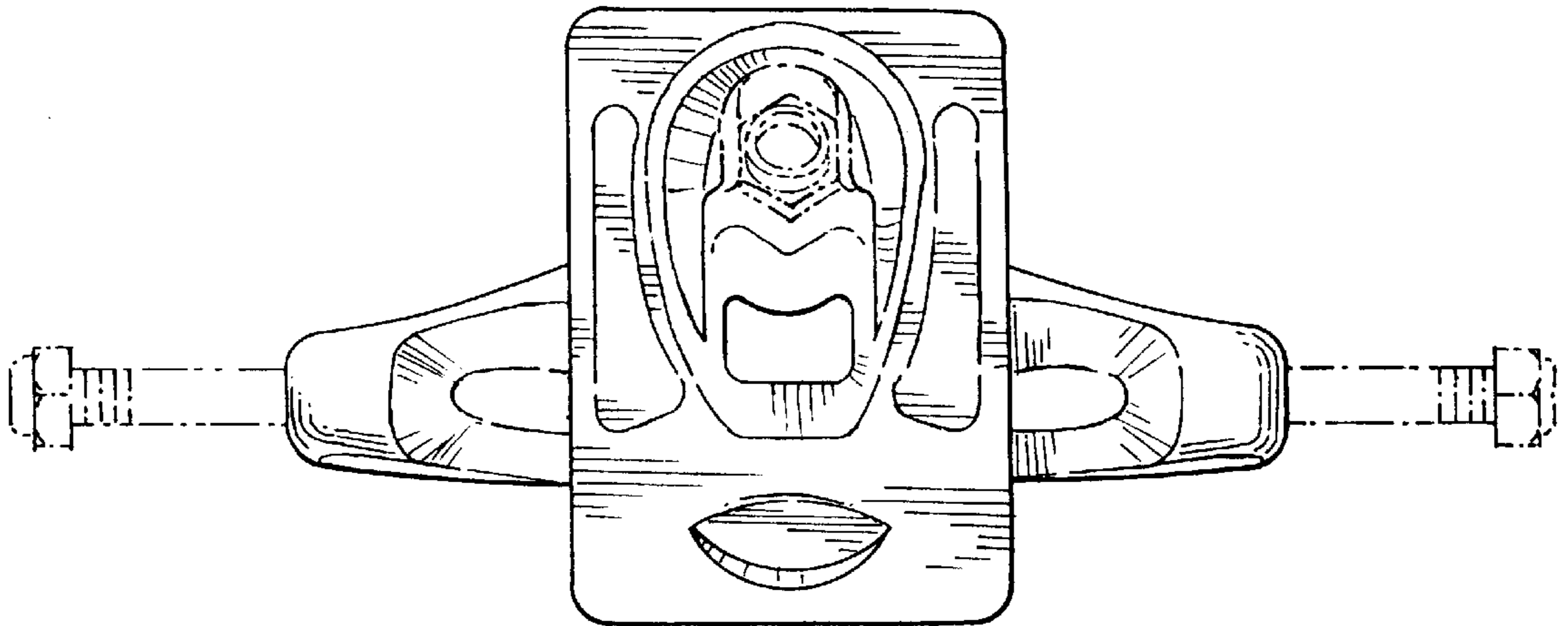


FIG. 6