



US00D477642S

(12) **United States Design Patent**
Byrd

(10) **Patent No.:** **US D477,642 S**

(45) **Date of Patent:** **** Jul. 22, 2003**

(54) **MINIATURE SPACE WEAPON**

(76) **Inventor:** **William Jeffrey Byrd**, 7915 Severn
Tree Blvd., Severn, MD (US) 21144

(**) **Term:** **14 Years**

(21) **Appl. No.:** **29/166,384**

(22) **Filed:** **Aug. 27, 2002**

(51) **LOC (7) Cl.** **21-01**

(52) **U.S. Cl.** **D21/574**

(58) **Field of Search** D21/567-575,
D21/658; D14/428; D23/225, 226; D22/103;
446/473, 475, 406, 267, 180, 219, 430;
124/16, 22, 27, 73-76, 83-85; 42/54, 7,
103, 105; 222/78, 79

(56) **References Cited**

U.S. PATENT DOCUMENTS

1,832,330	A	*	11/1931	Stark	124/27
D140,087	S	*	1/1945	Rubin		
D164,657	S	*	9/1951	Tovell		
D169,440	S	*	4/1953	Hirsch	42/54
3,919,799	A	*	11/1975	Austin, Jr. et al.	42/105
4,569,666	A	*	2/1986	Wolf	446/473
6,065,460	A	*	5/2000	Lotuaco, III	124/72
D443,903	S	*	6/2001	Wang	D21/574
6,273,080	B1	*	8/2001	Sullivan, Jr.	124/84

OTHER PUBLICATIONS

Hong Kong Toys, p 265, Feb. 1997.*

* cited by examiner

Primary Examiner—Raphael Barkai

(74) *Attorney, Agent, or Firm*—Law Offices of Royal W. Craig

(57) **CLAIM**

The ornamental design for a miniature space weapon, as shown and described.

DESCRIPTION

FIG. 1 is a perspective view of a miniature space weapon according to one embodiment of my new design.

FIG. 2 is a bottom perspective view of the miniature space weapon of FIG. 1.

FIG. 3 is a top view of the miniature space weapon of FIGS. 1 and 2.

FIG. 4 is a right side view of the miniature space weapon of FIGS. 1-3.

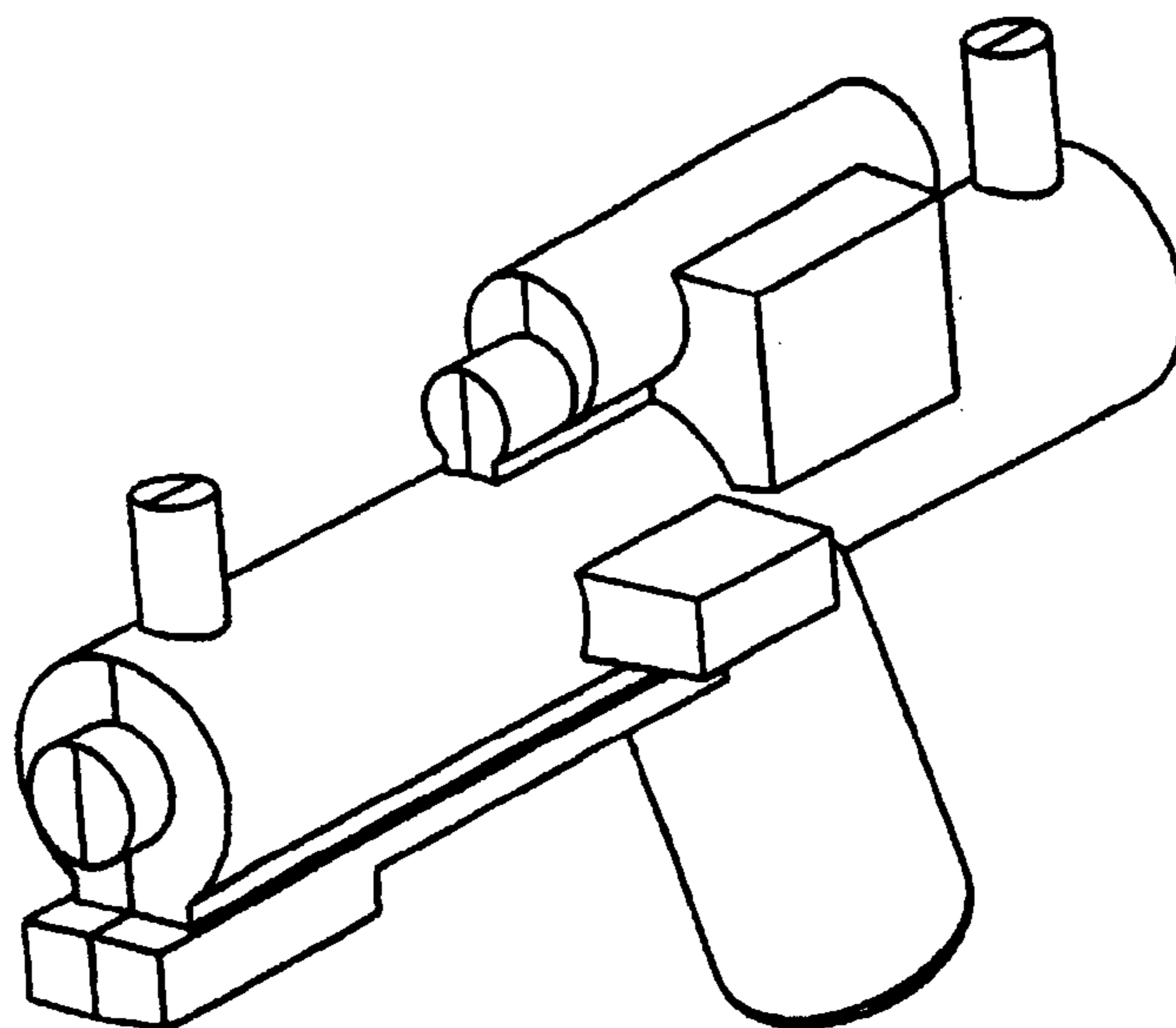
FIG. 5 is a back view of the miniature space weapon of FIGS. 1-4.

FIG. 6 is a front view of the miniature space weapon of FIGS. 1-5; and,

FIG. 7 is a left side view of the miniature space weapon of FIGS. 1-3.

The design of the present invention and as shown in FIGS. 1-7 is an ornamental, miniature space weapon that is compatible with miniature space action figure toys.

1 Claim, 3 Drawing Sheets



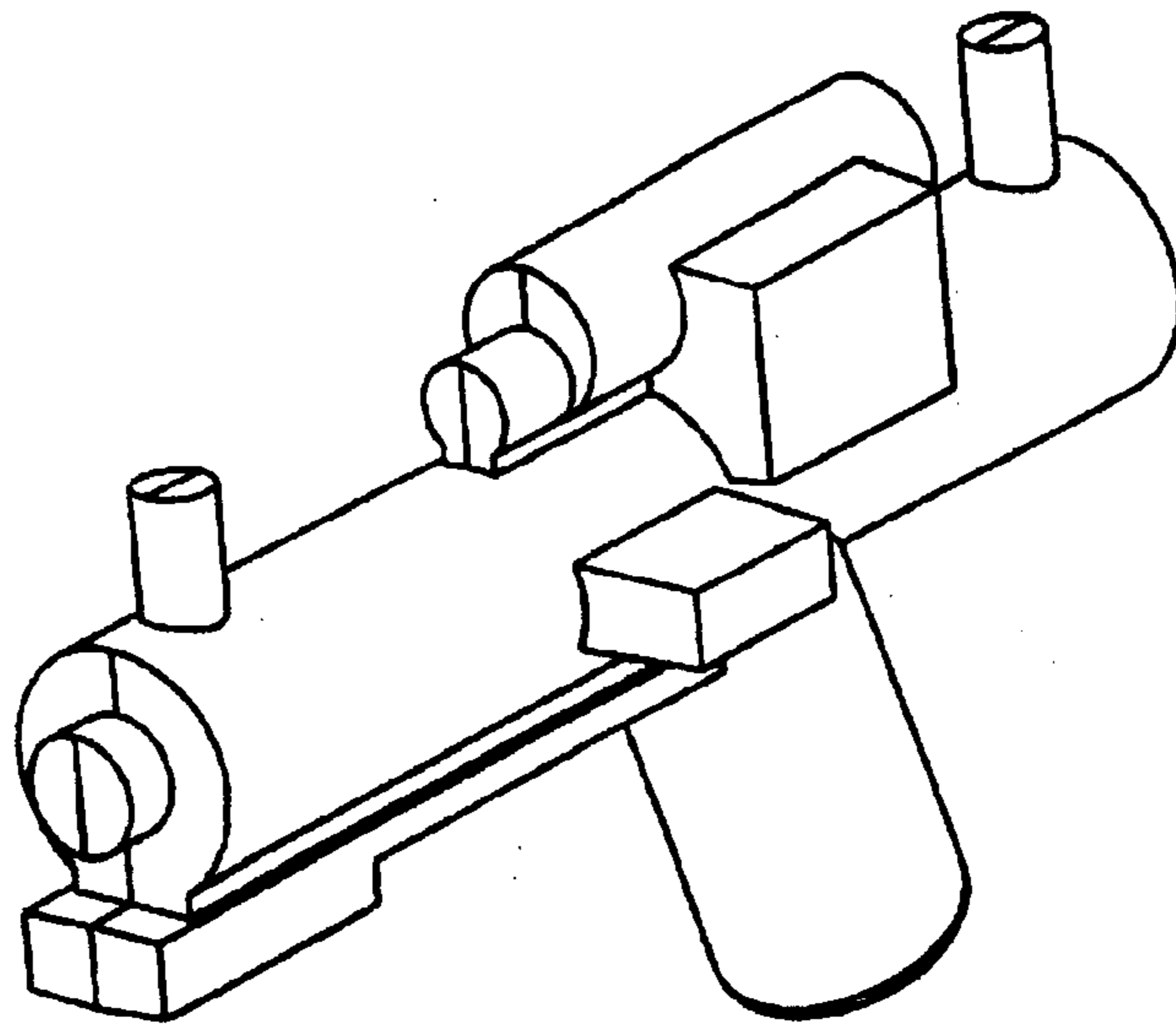


FIG. 1

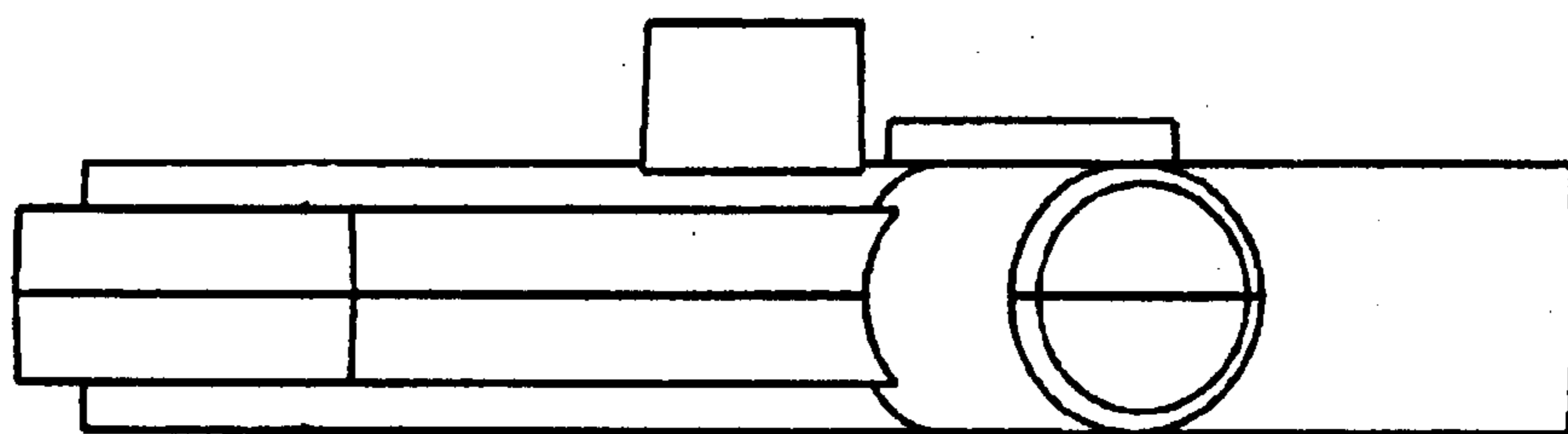


FIG. 2

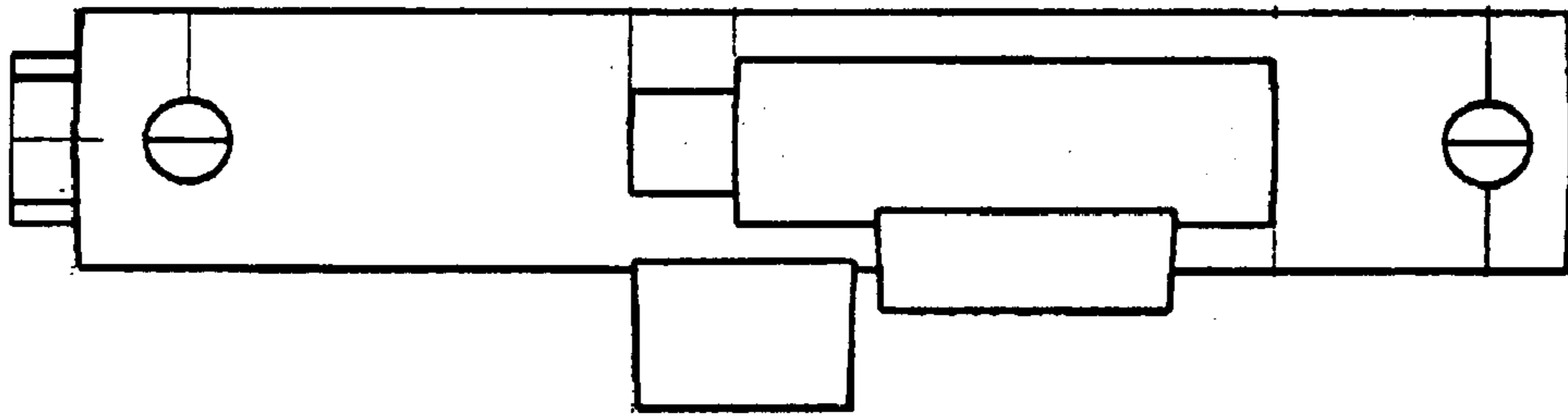


FIG. 3

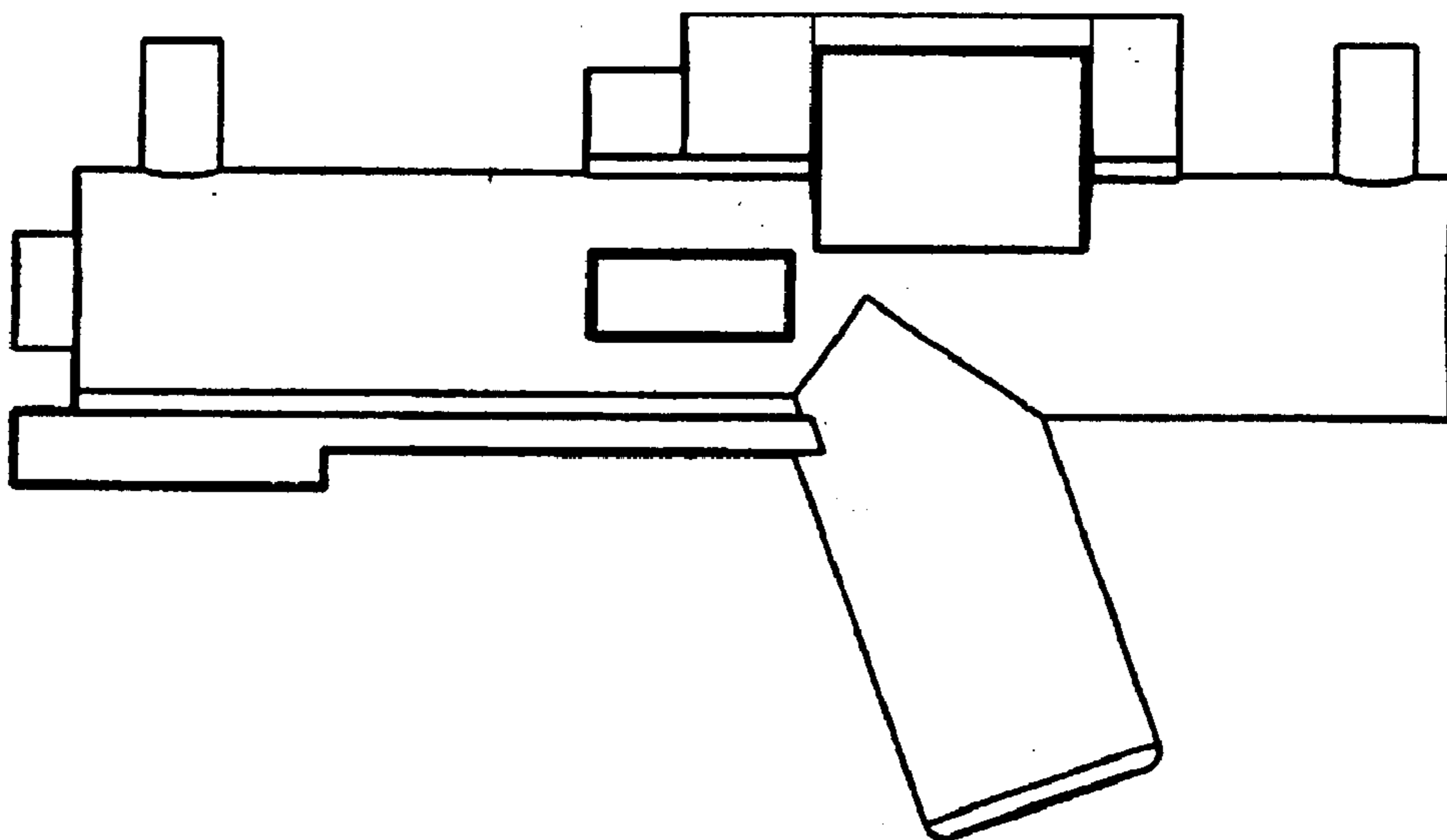


FIG. 4

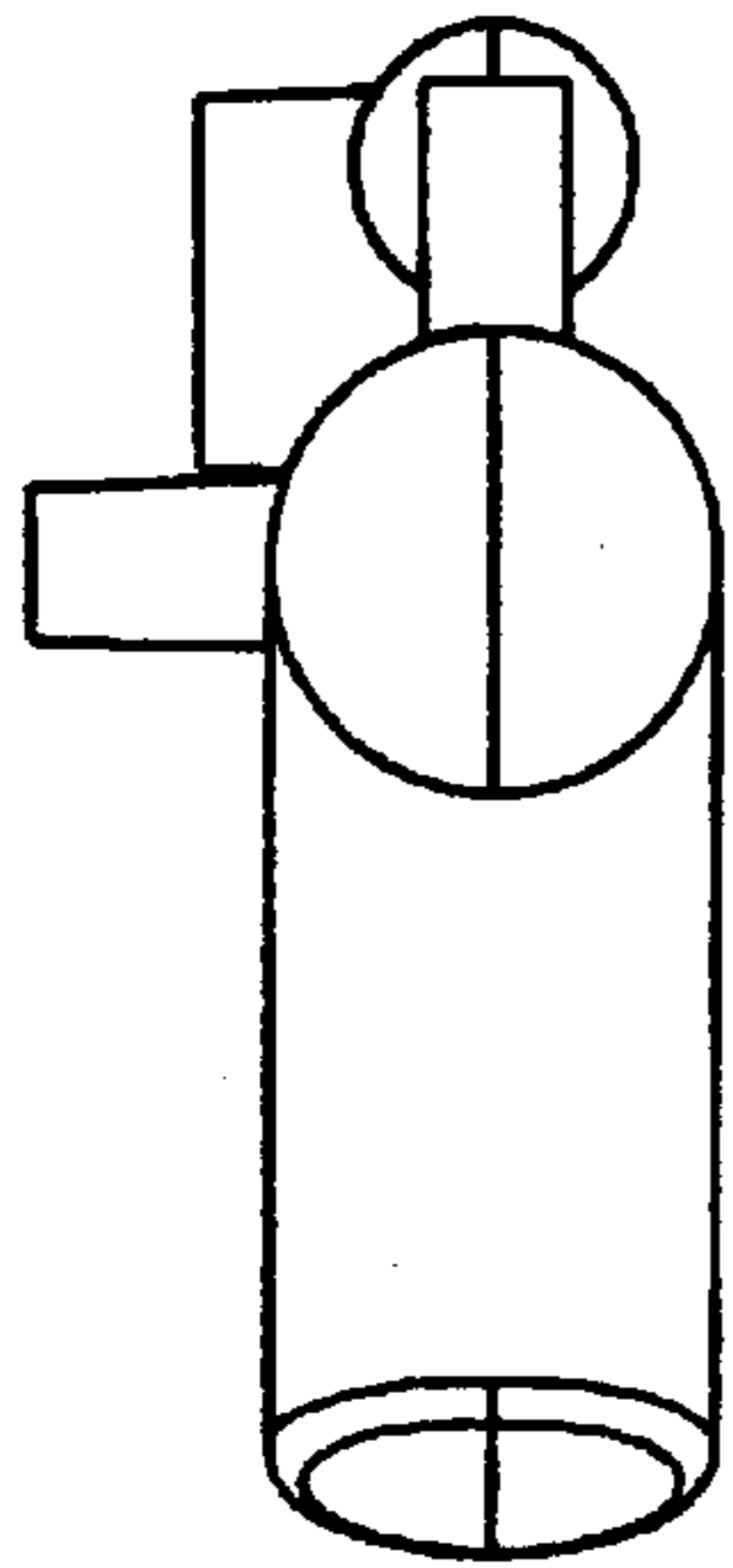


FIG. 5

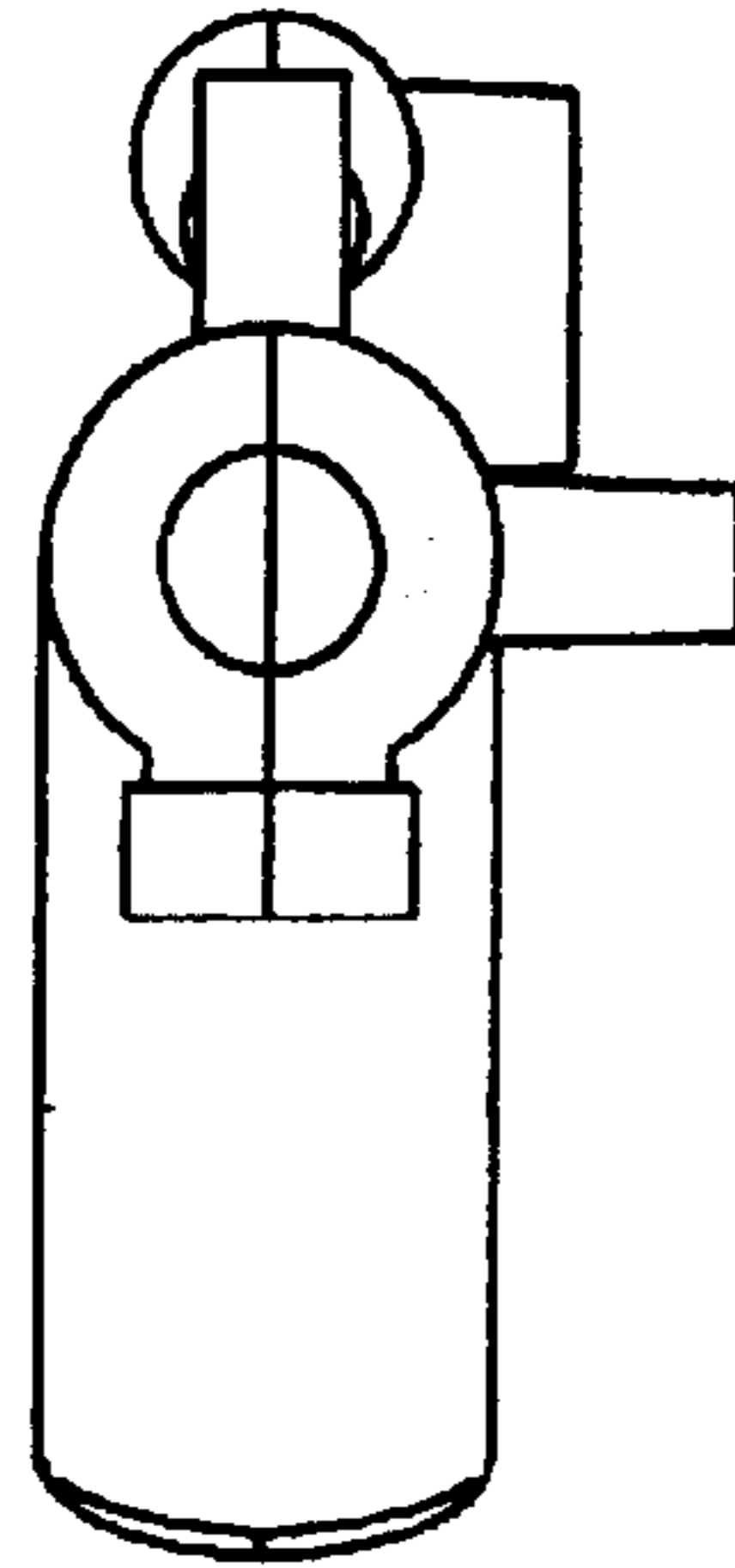


FIG. 6

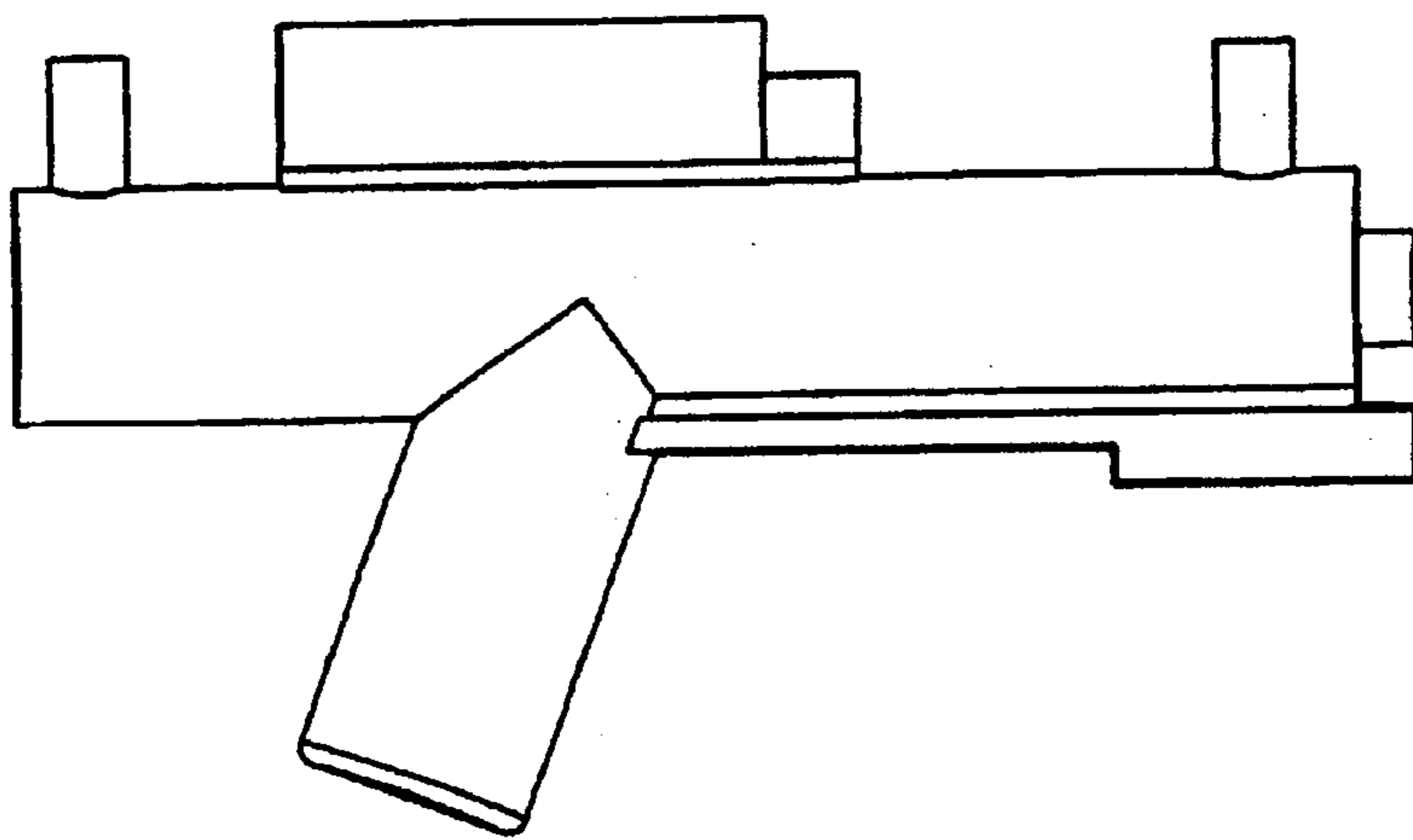


FIG. 7