



US00D477640S

(12) **United States Design Patent**
Gamble

(10) **Patent No.:** **US D477,640 S**

(45) **Date of Patent:** **** Jul. 22, 2003**

(54) **DART**

D399,539 S * 10/1998 Smith et al. D21/387

(76) **Inventor:** **Christopher L. Gamble**, P.O. Box
9154, Canoga Park, CA (US) 91309

* cited by examiner

(**) **Term:** **14 Years**

Primary Examiner—Sandra L. Morris

(74) *Attorney, Agent, or Firm*—Gregory J. Nelson

(21) **Appl. No.:** **29/166,785**

(57) **CLAIM**

(22) **Filed:** **Sep. 3, 2002**

I claim the ornamental design for a dart, as shown and described.

(51) **LOC (7) Cl.** **21-01**

DESCRIPTION

(52) **U.S. Cl.** **D21/387**

(58) **Field of Search** D21/307, 308,
D21/385, 387; 473/569, 578

FIG. 1 is a top view showing the dart of my design, the bottom and opposite side views being identical thereto; FIG. 2 is a rear view thereof; and, FIG. 3 is a front view looking at the dart tip.

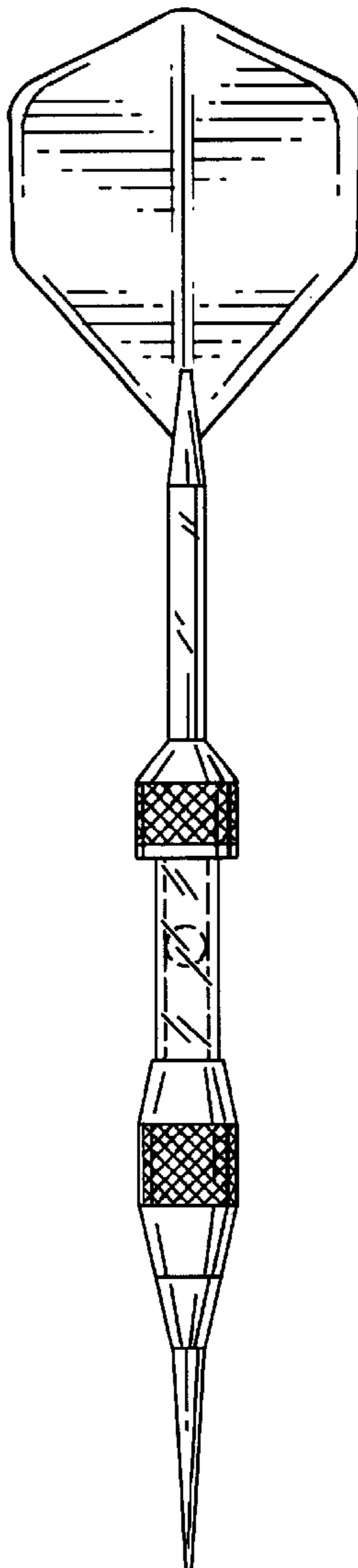
The broken line showing in FIG. 1 is for illustrative purposes only, and forms no part of the claimed design.

(56) **References Cited**

U.S. PATENT DOCUMENTS

D393,665 S * 4/1998 Smith D21/387
D395,465 S * 6/1998 Smith D21/387

1 Claim, 1 Drawing Sheet



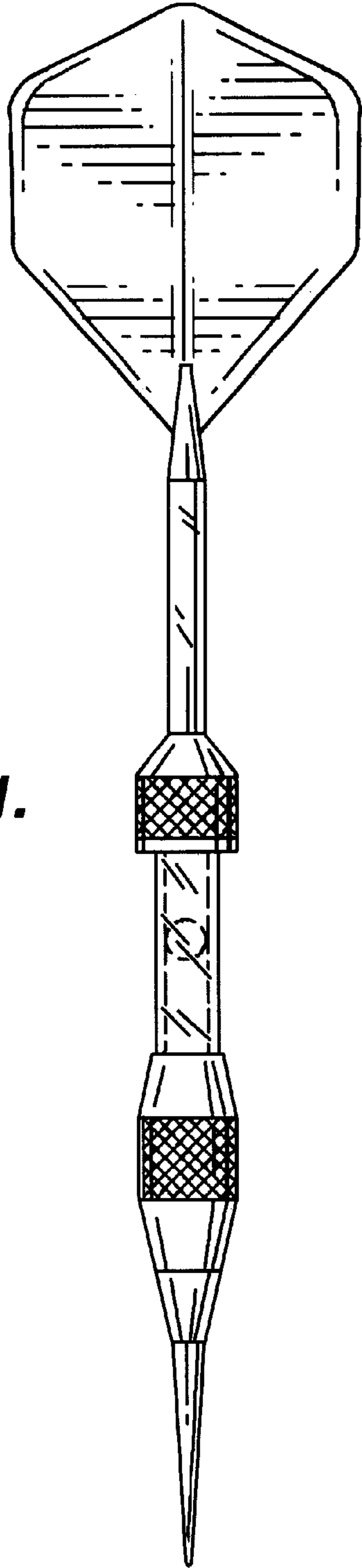


FIG. 1.

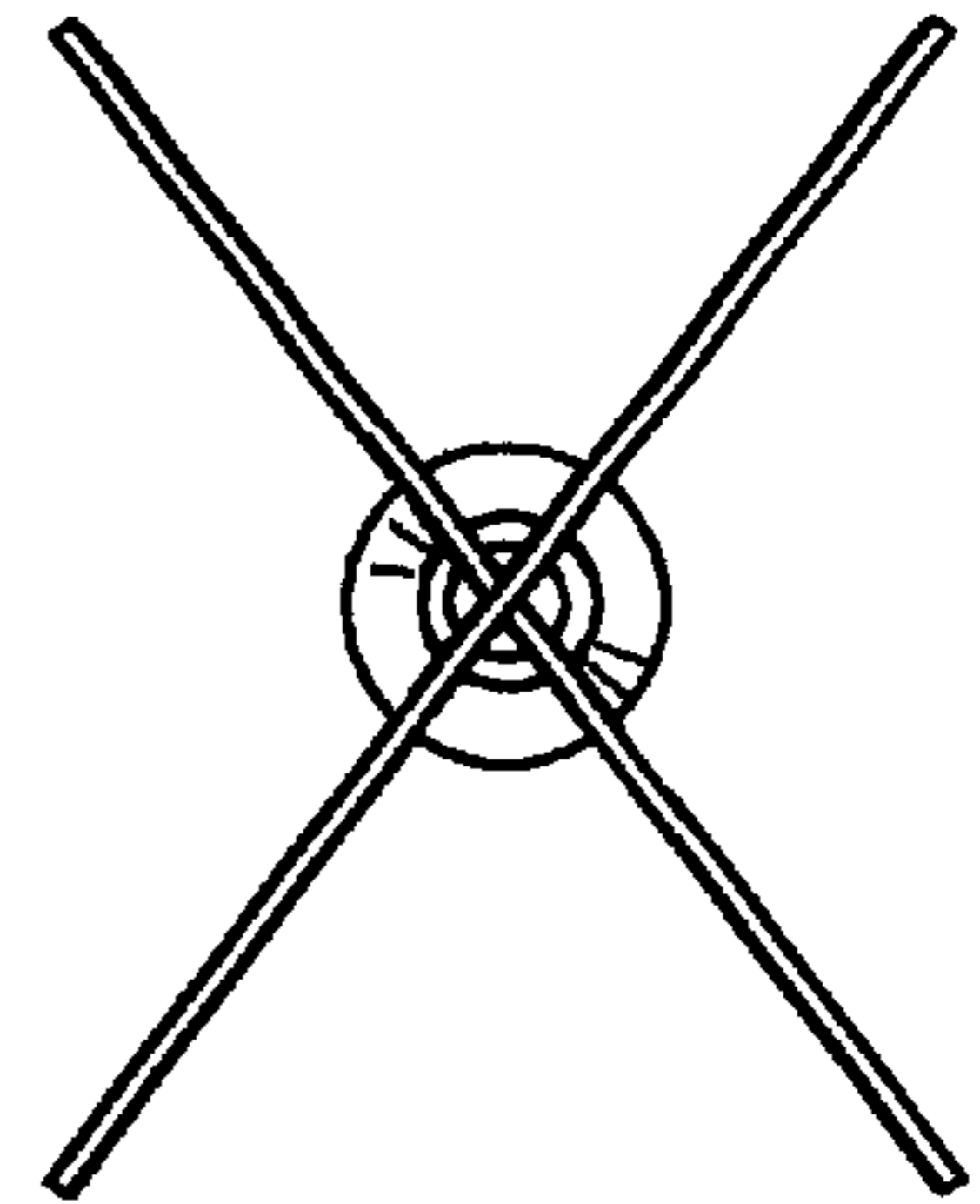


FIG. 2.

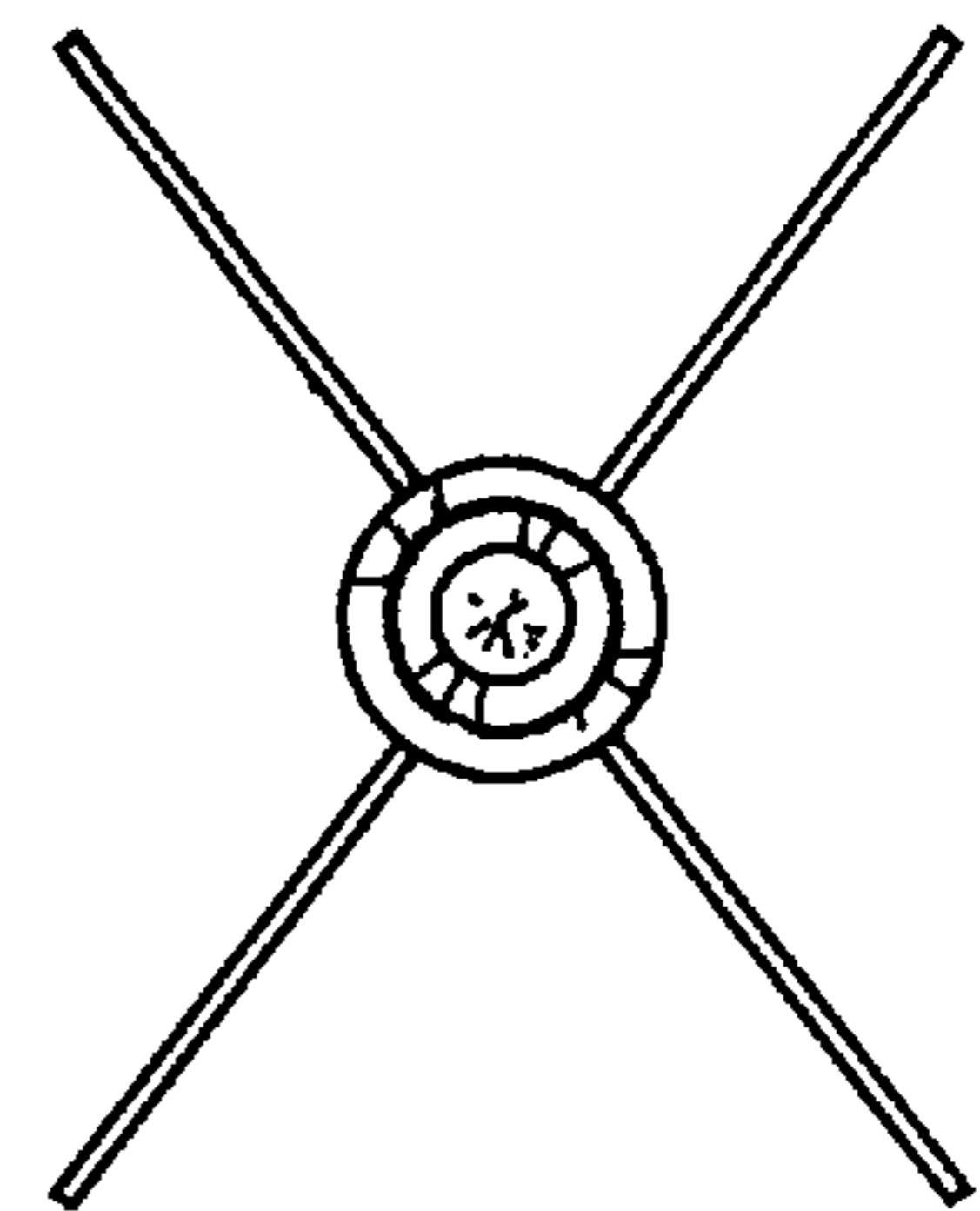


FIG. 3.