



US00D477634S

(12) **United States Design Patent**
Malone

(10) **Patent No.:** **US D477,634 S**

(45) **Date of Patent:** **** Jul. 22, 2003**

(54) **PROTECTIVE TRIFOLD HOLDER FOR BOOKLETS AND CARDS**

(76) Inventor: **Leigh Ann Malone**, 100 Telluride Cir.,
Madison, AL (US) 35758

(**) Term: **14 Years**

(21) Appl. No.: **29/160,801**

(22) Filed: **May 16, 2002**

(51) **LOC (7) Cl.** **19-04**

(52) **U.S. Cl.** **D19/26; D3/303**

(58) **Field of Search** D3/303, 900; D19/26,
D19/27, 32, 33, 75, 86, 65; 281/15.1, 19.1,
21.1, 29, 30, 31, 32, 35, 34, 45, 51; 283/36,
37, 42, 48.1, 52.1, 55, 63.1, 64, 117; 402/4,
73, 79, 80 R

(56) **References Cited**

U.S. PATENT DOCUMENTS

| | | | | | |
|-------------|---|---------|-----------------|-------|----------|
| D136,862 S | * | 10/1943 | Wollenberger | | D19/26 X |
| 3,227,471 A | * | 1/1966 | Coniker | | 281/31 |
| 3,334,806 A | | 8/1967 | Hiersteiner | | |
| 4,010,964 A | | 3/1977 | Schechter | | |
| 4,097,067 A | | 6/1978 | Schechter | | |
| D266,172 S | * | 9/1982 | Fraser et al. | | D19/26 |
| D267,653 S | * | 1/1983 | Miller et al. | | D19/26 |
| D268,347 S | * | 3/1983 | Marsh | | D19/27 |
| D295,289 S | * | 4/1988 | Nickow | | D19/26 |
| D304,343 S | * | 10/1989 | Popat et al. | | D19/26 |
| D341,373 S | * | 11/1993 | Stern | | D19/26 |
| D413,725 S | * | 9/1999 | Hartmann et al. | | D3/247 |

* cited by examiner

Primary Examiner—Martie K. Holtje
(74) Attorney, Agent, or Firm—Lanier Ford Shaver & Payne P.C.

(57) **CLAIM**

I claim the ornamental design for a protective trifold holder for booklets and cards, as shown and described.

DESCRIPTION

FIG. 1 is a front perspective view of the protective trifold holder for booklets and cards of the present invention in an open position.

FIG. 2 is a front elevational view thereof.

FIG. 3 is a rear elevational view thereof.

FIG. 4 is a front elevational view thereof in a folded position.

FIG. 5 is a rear elevational view thereof in a folded position.

FIG. 6 is a right side elevational view thereof in a folded position.

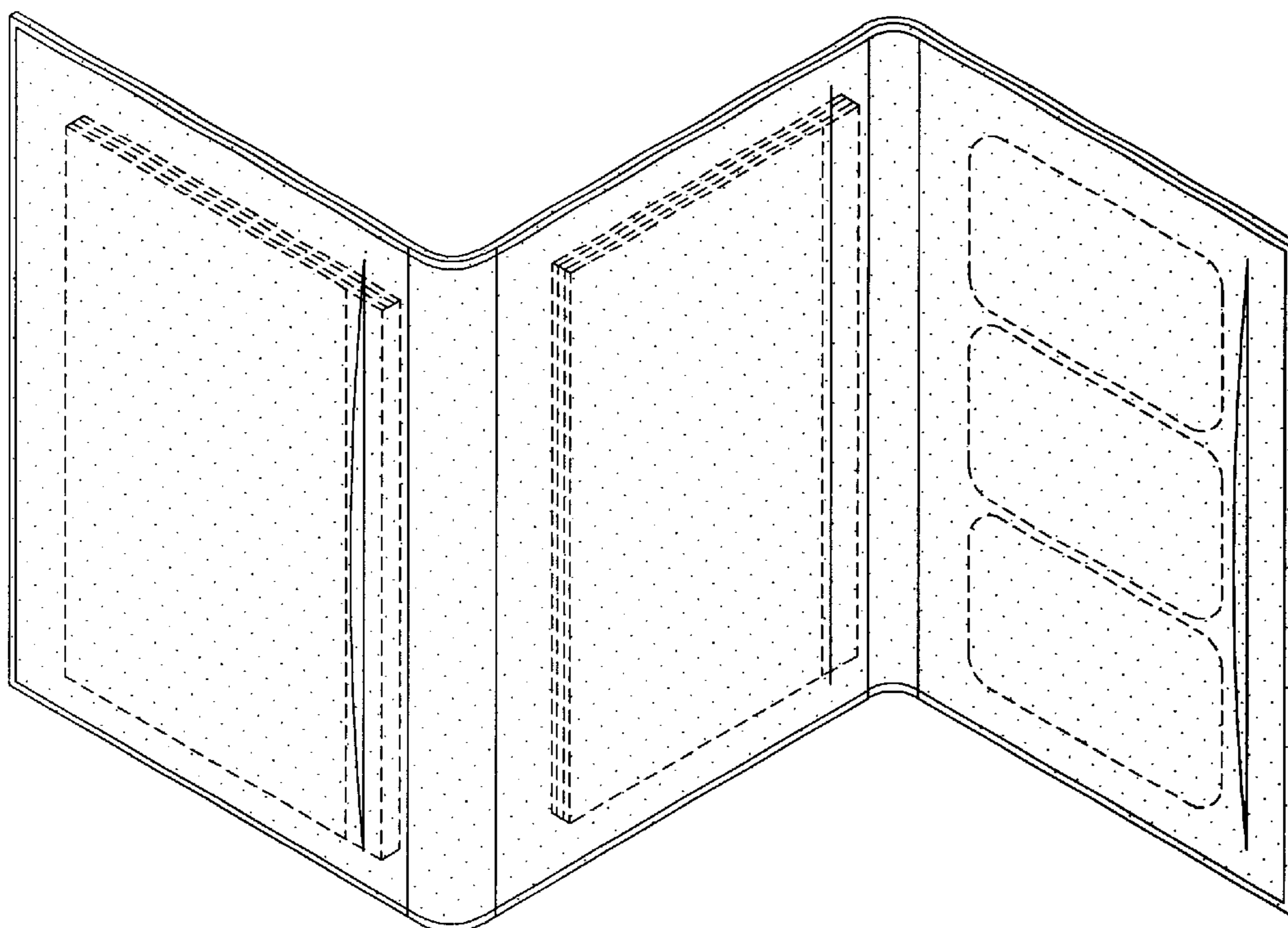
FIG. 7 is a left side elevational view thereof in a folded position.

FIG. 8 is a top plan view thereof in a folded position.

FIG. 9 is a front perspective view thereof in an open position with booklets and cards inserted, shown in dashed lines and not forming any part of the claimed invention; and,

FIG. 10 is a top plan view thereof in the folded position, with booklets and cards inserted, shown in dashed lines and not forming any part of the claimed invention.

1 Claim, 3 Drawing Sheets



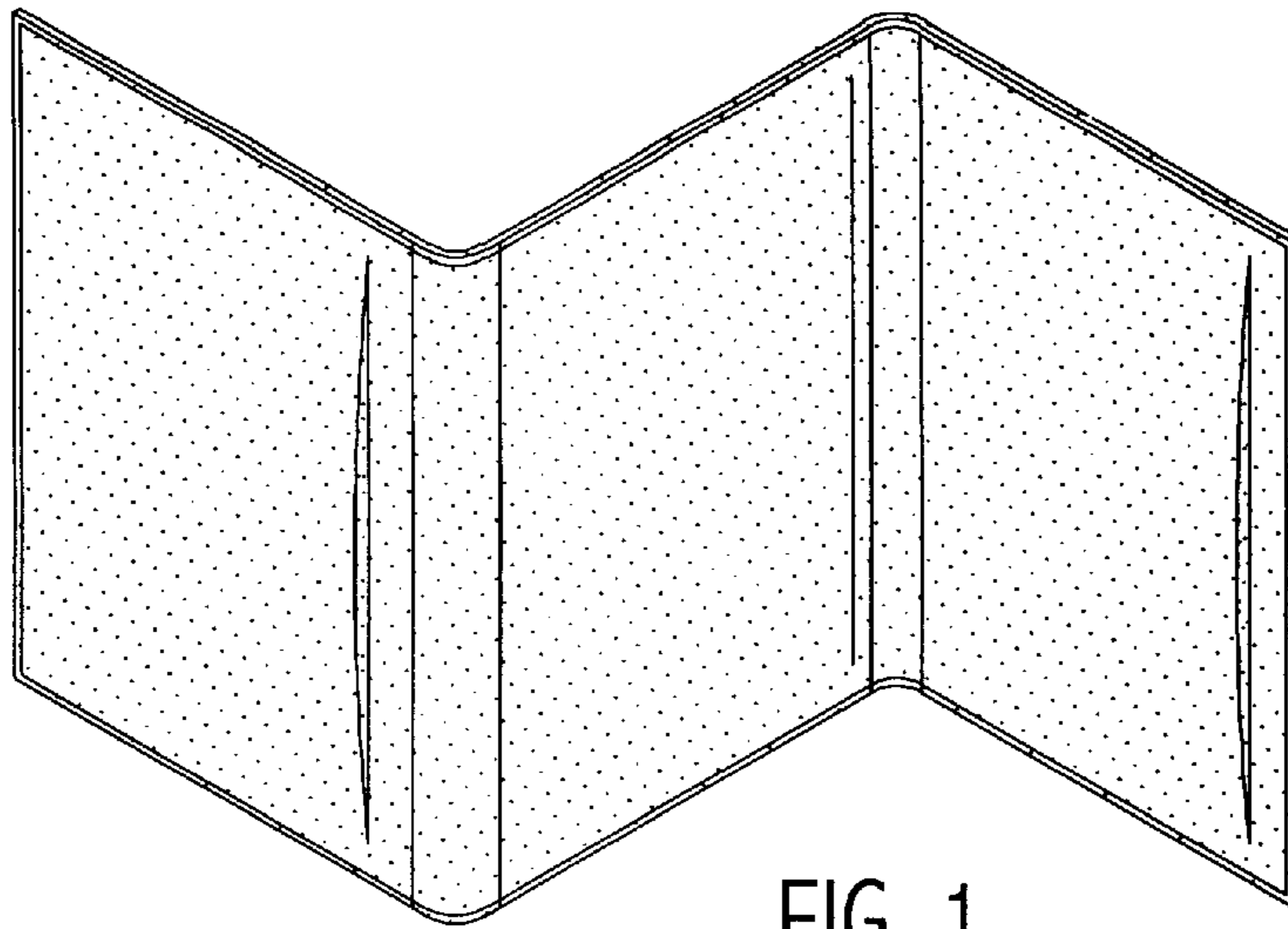


FIG. 1

FIG. 2

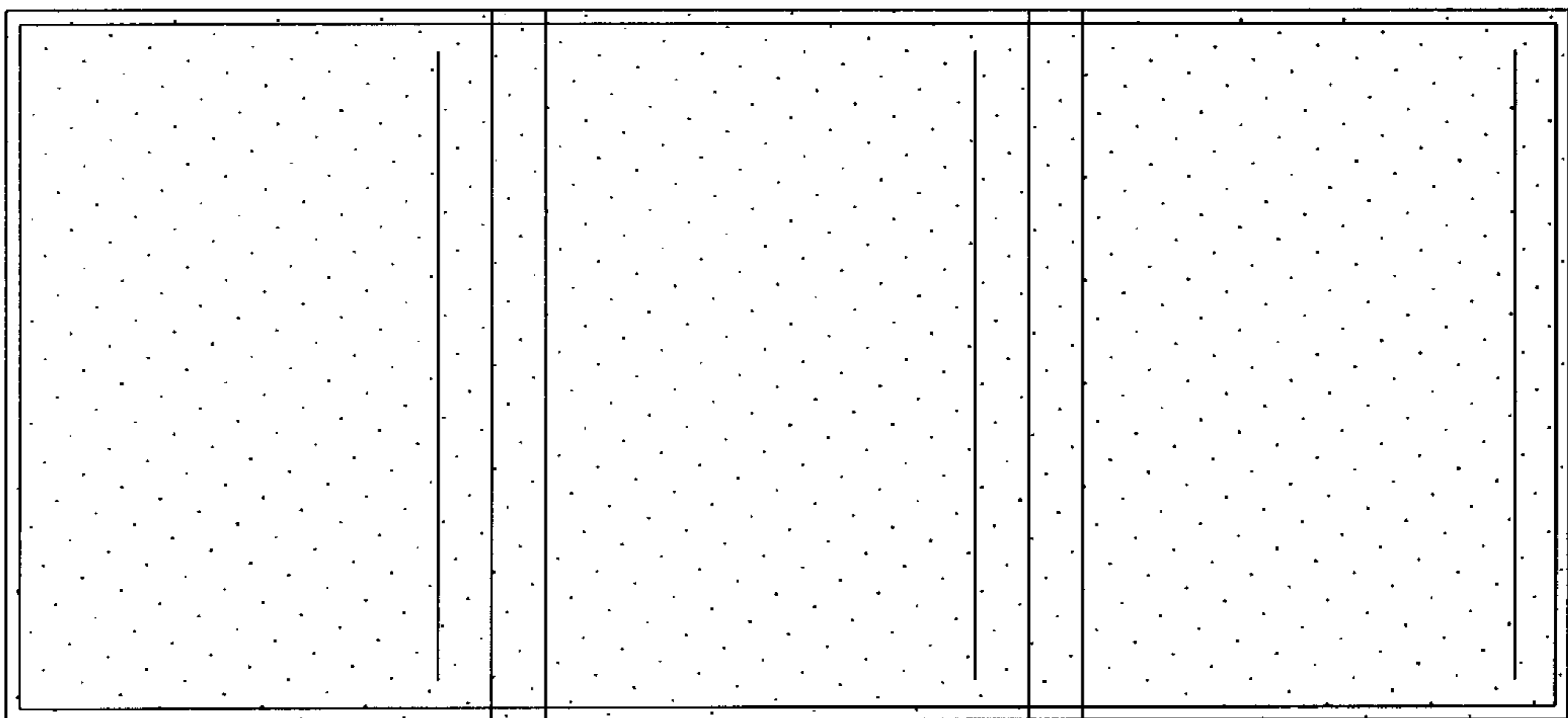


FIG. 3



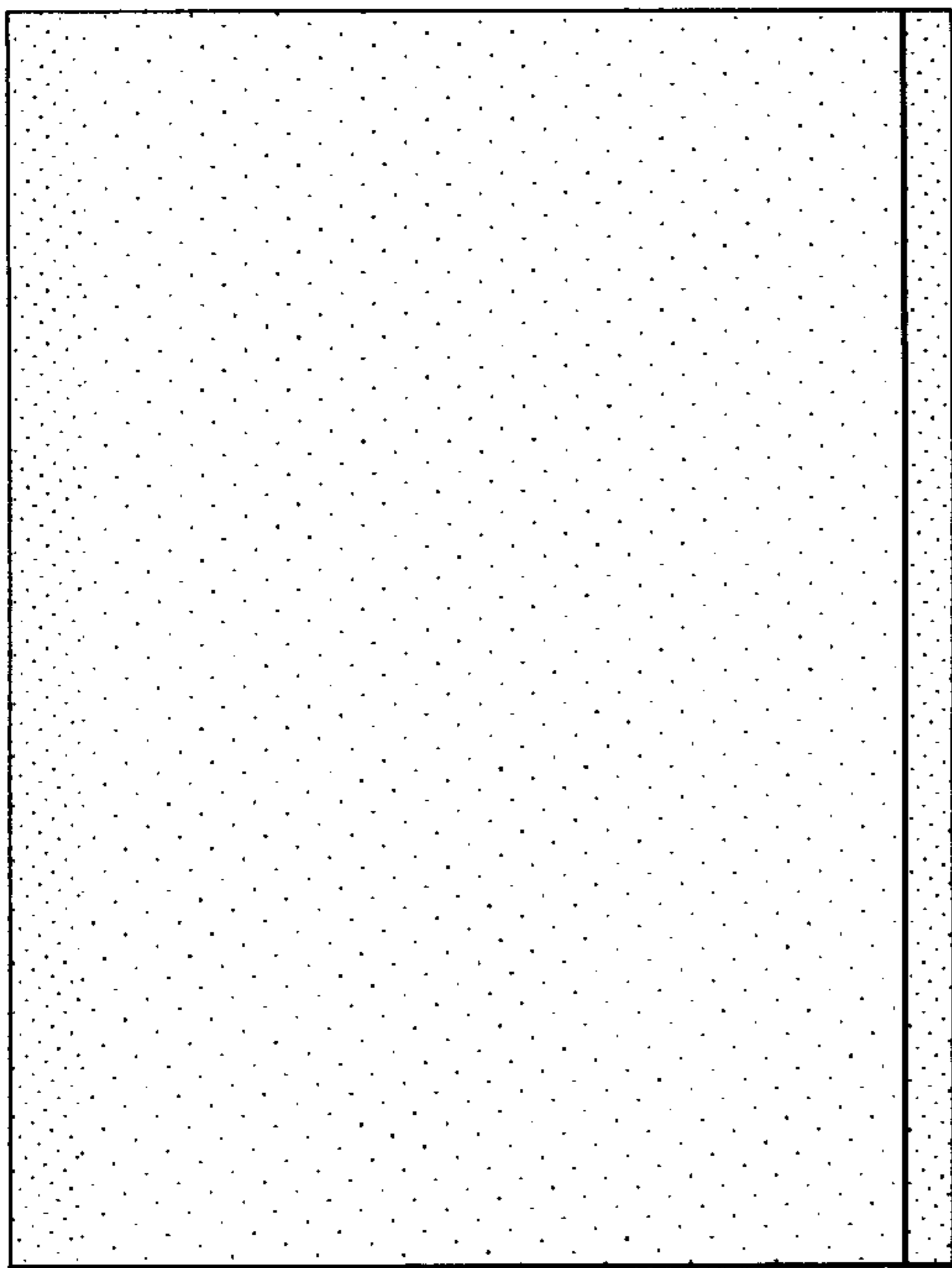


FIG. 4

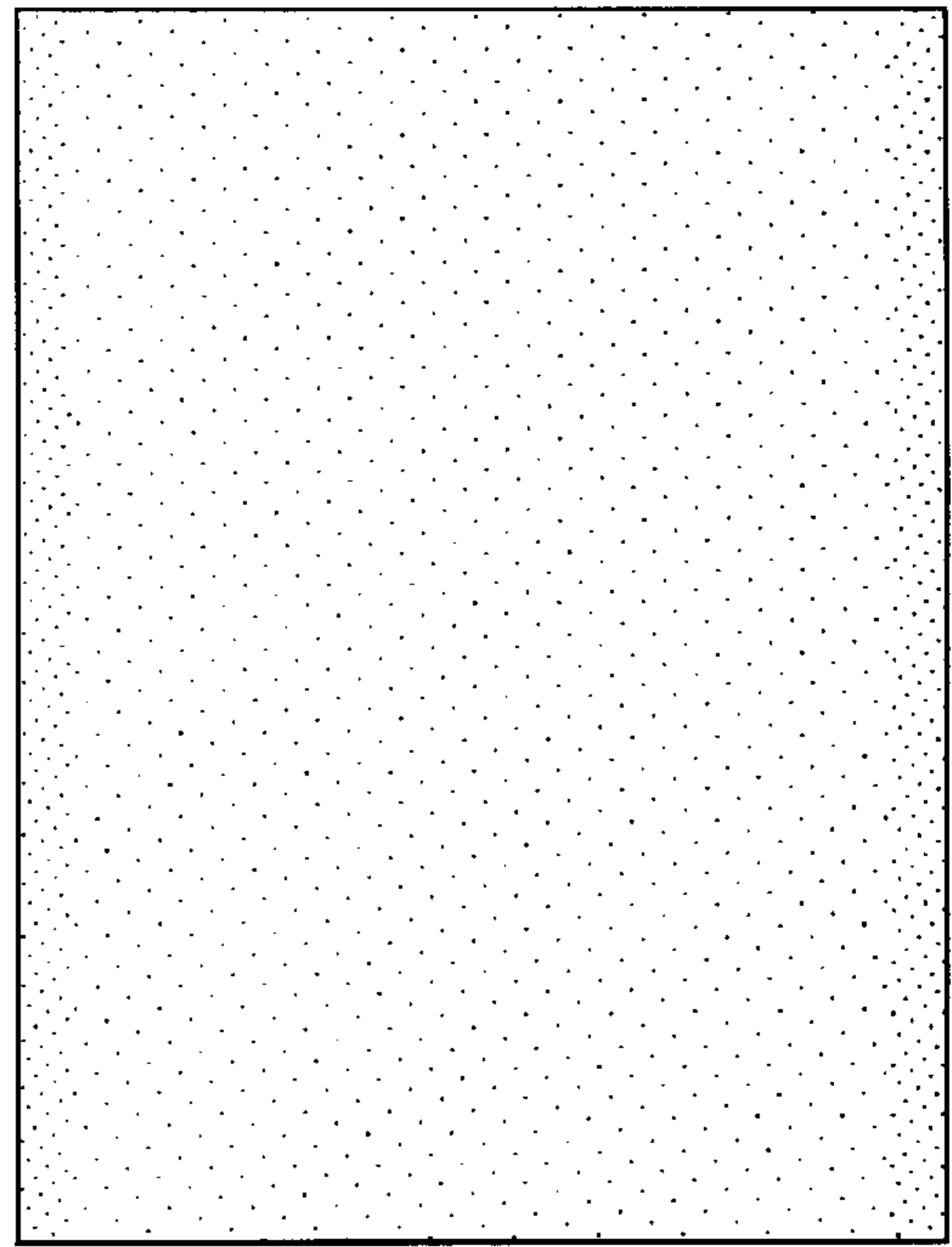


FIG. 5

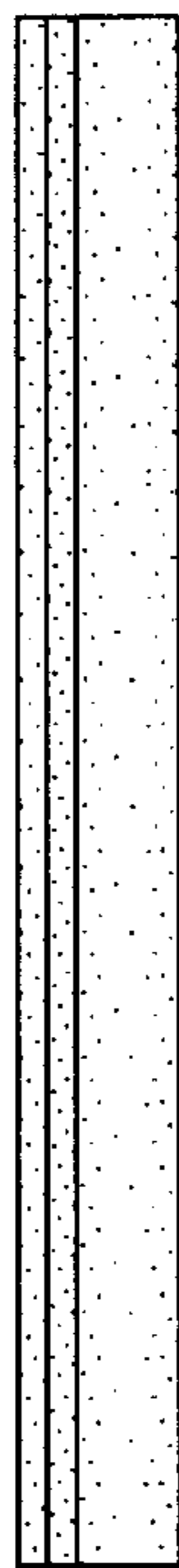


FIG. 6

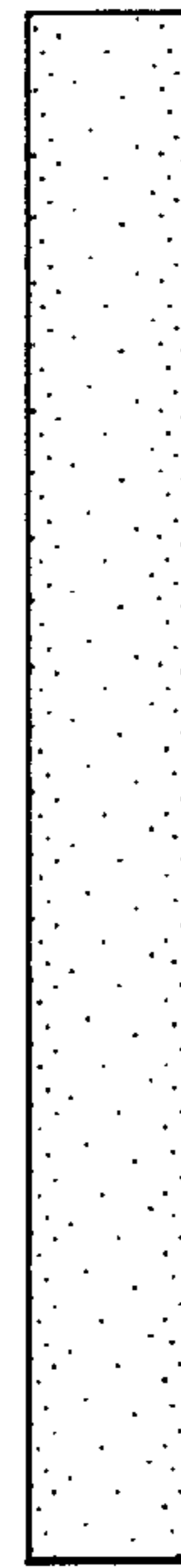


FIG. 7

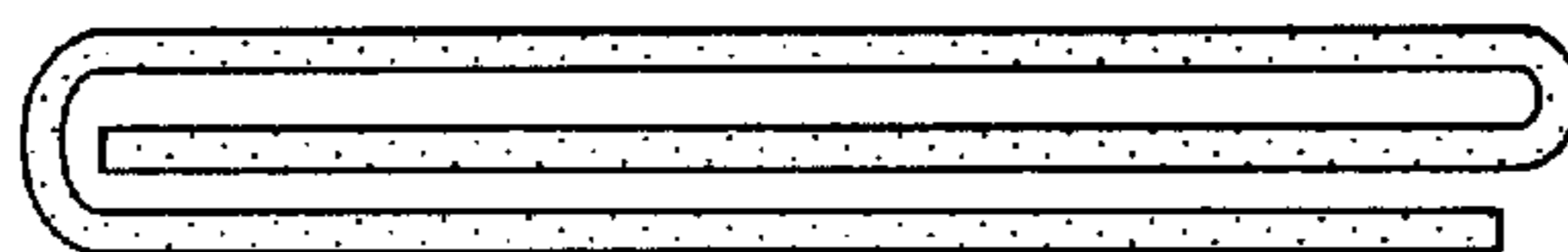


FIG. 8

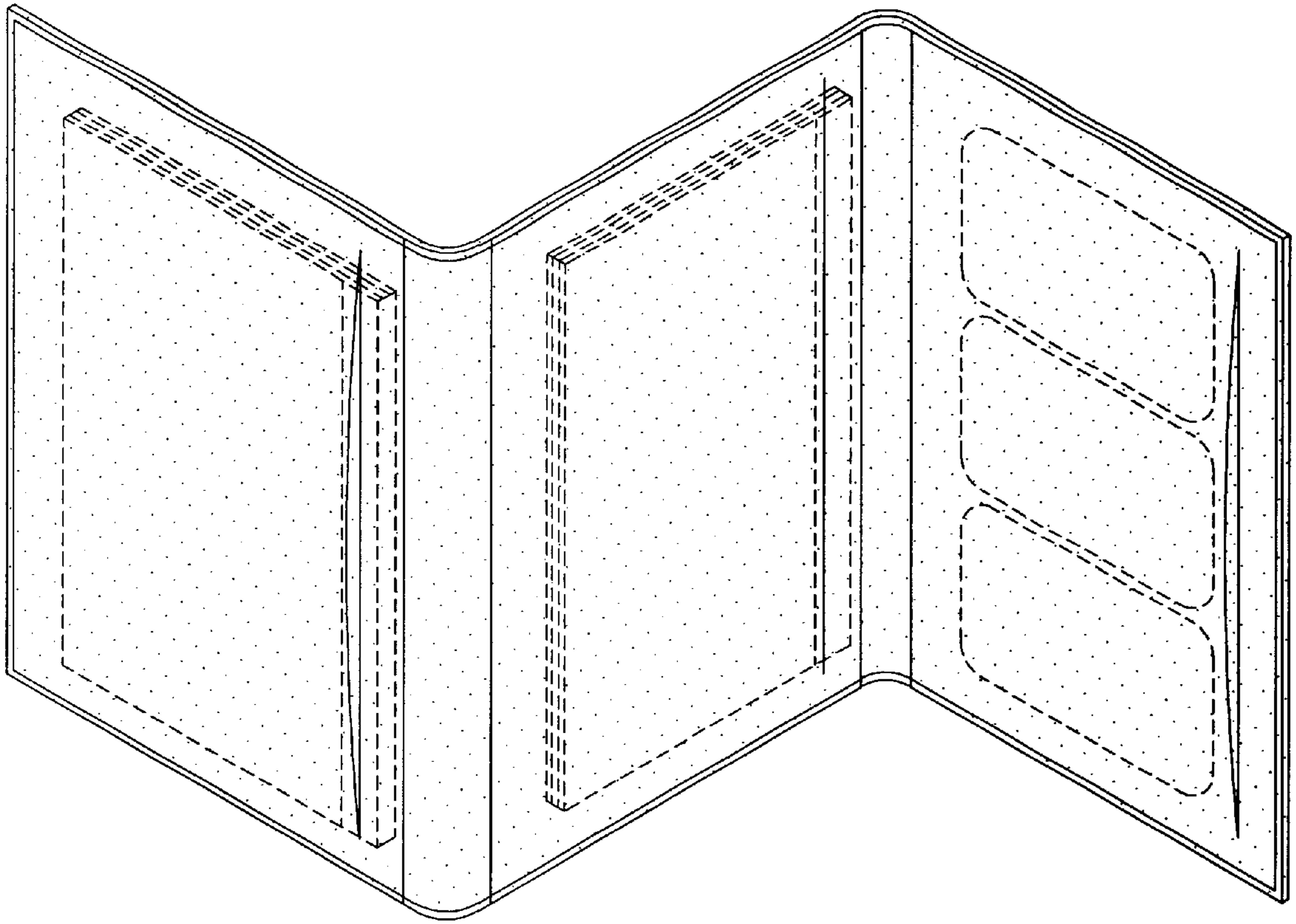


FIG. 9

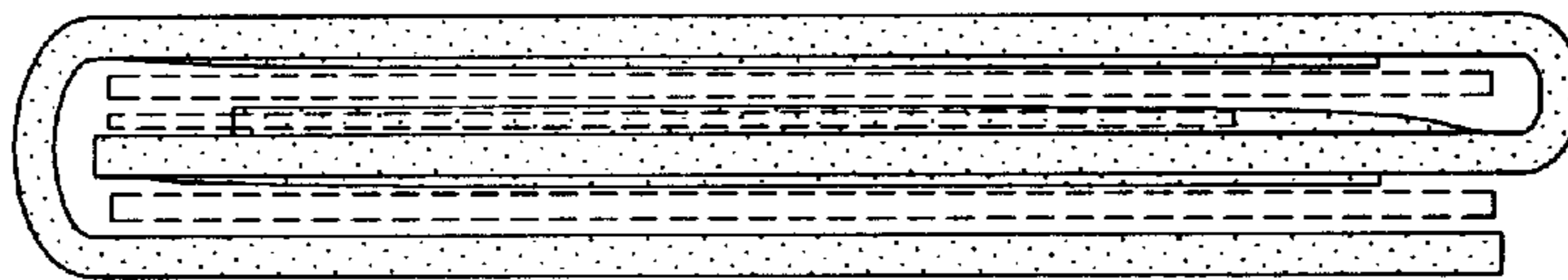


FIG. 10