



US00D477631S

(12) **United States Design Patent**
Mori et al.

(10) **Patent No.:** **US D477,631 S**

(45) **Date of Patent:** **** Jul. 22, 2003**

(54) **DEVELOPING CARTRIDGE**

(75) Inventors: **Tomonori Mori**, Numazu (JP);
Hironobu Isobe, Numazu (JP);
Yasufumi Yoshino, Numazu (JP)

(73) Assignee: **Canon Kabushiki Kaisha**, Tokyo (JP)

(**) Term: **14 Years**

(21) Appl. No.: **29/171,906**

(22) Filed: **Dec. 3, 2002**

(30) **Foreign Application Priority Data**

Jun. 5, 2002 (JP) 2002-015058

(51) **LOC (7) Cl.** **16-03**

(52) **U.S. Cl.** **D18/40**

(58) **Field of Search** D18/40, 43, 56;
399/1-3, 12, 24-28, 31-33, 106, 110, 111,
119-122, 252-254, 258-262; 222/DIG. 1

(56) **References Cited**

U.S. PATENT DOCUMENTS

D367,880 S * 3/1996 Miyamoto D18/43

D422,626 S * 4/2000 Kurosawa et al. D18/43
D423,561 S * 4/2000 Kita D18/43
D462,984 S * 9/2002 Hayashi et al. D18/40

* cited by examiner

Primary Examiner—Caron D. Veynar

(74) *Attorney, Agent, or Firm*—Fitzpatrick, Cella, Harper & Scinto

(57) **CLAIM**

The ornamental design for a developing cartridge, as shown and described.

DESCRIPTION

FIG. 1 is a front view of a developing cartridge showing our new design;
FIG. 2 is a rear view thereof;
FIG. 3 is a top plan view thereof;
FIG. 4 is a bottom plan view thereof;
FIG. 5 is a left side view thereof;
FIG. 6 is a right side view thereof; and,
FIG. 7 is a perspective view thereof.

1 Claim, 6 Drawing Sheets

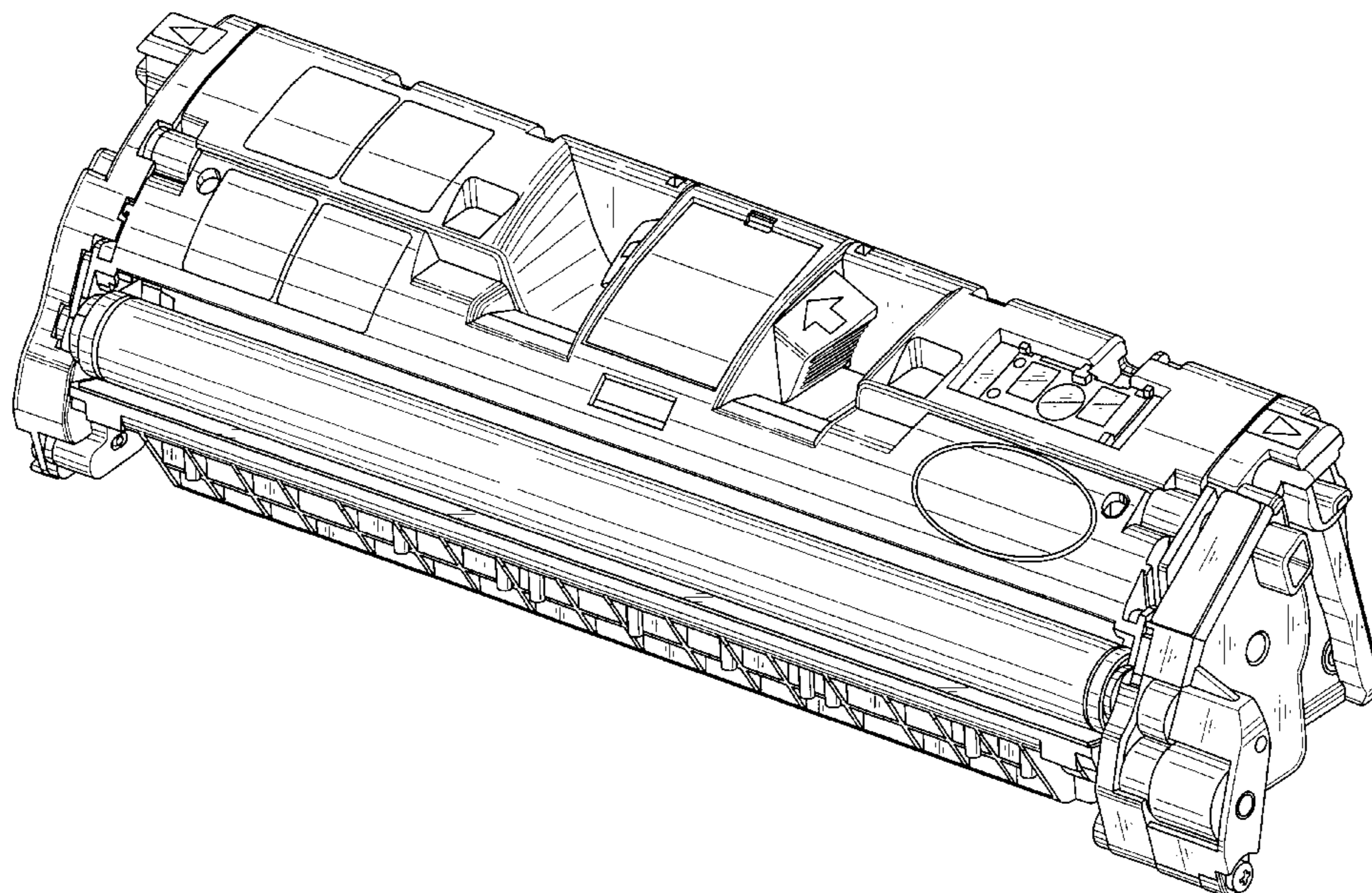
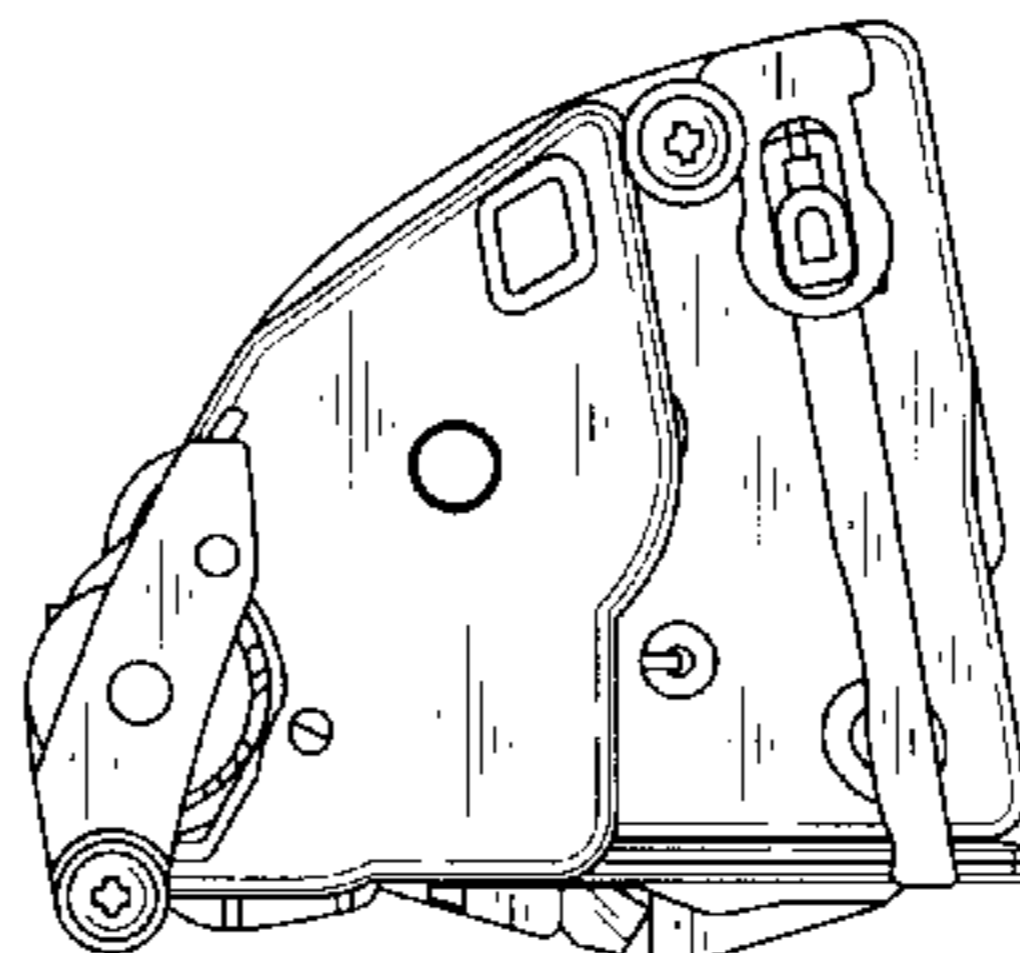


FIG. 1

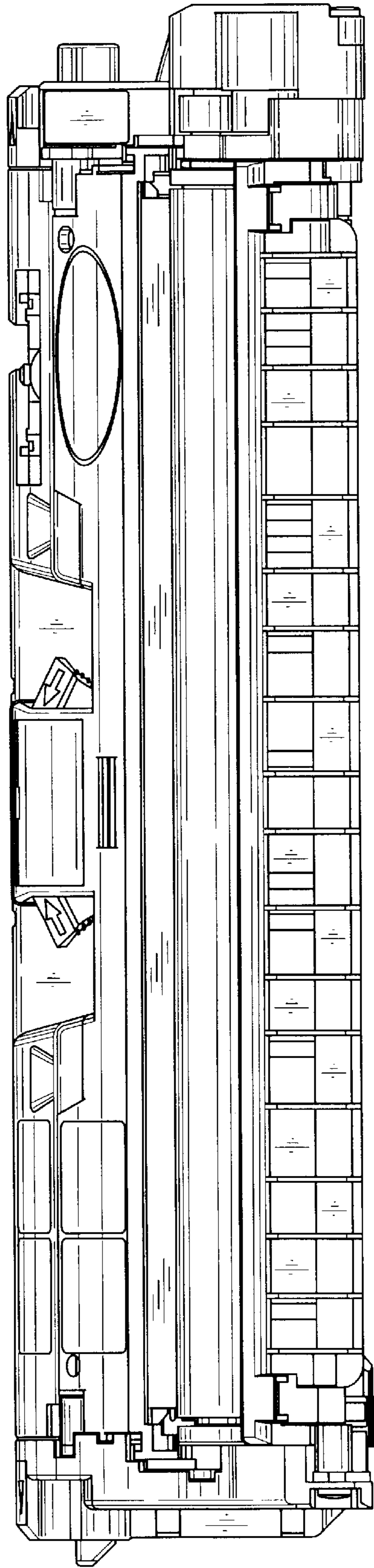


FIG. 2

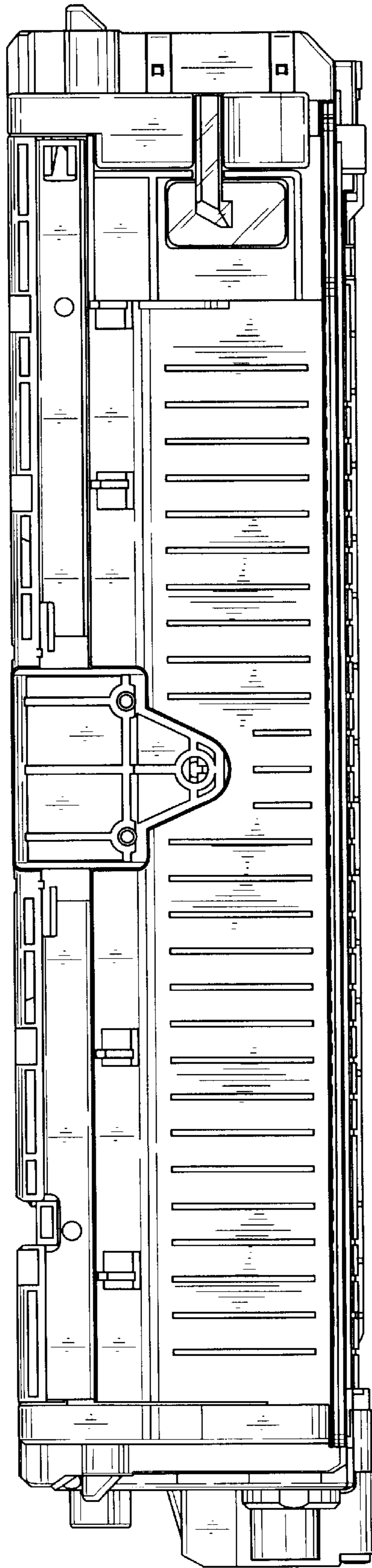


FIG. 3

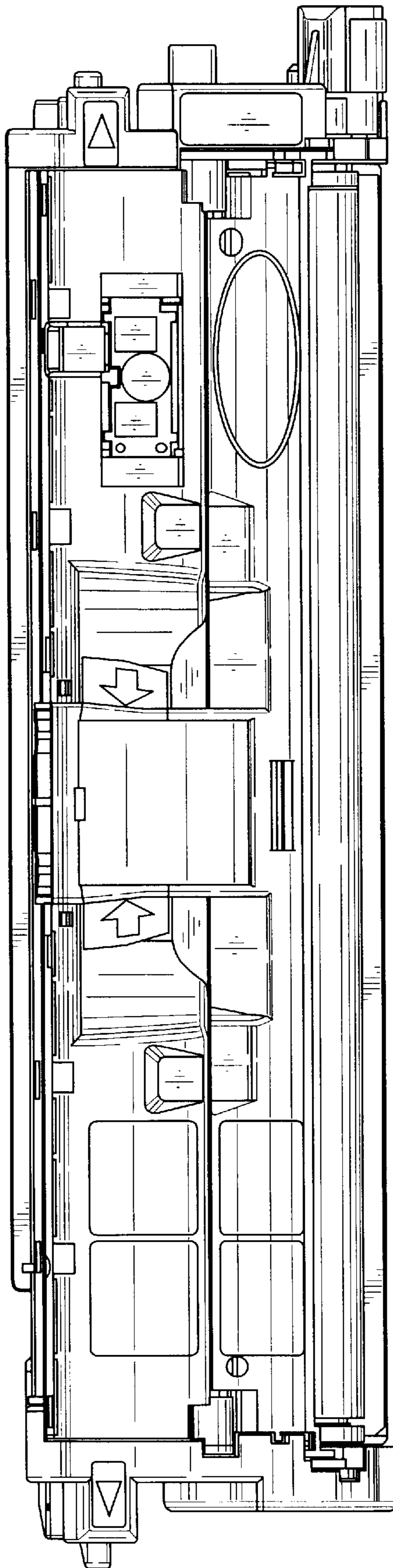


FIG. 4

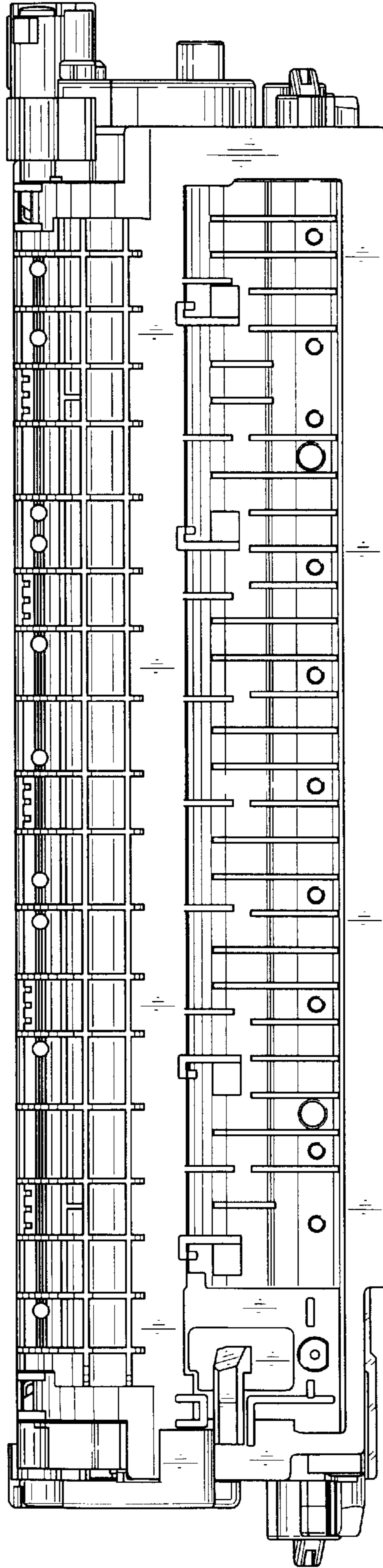


FIG. 5

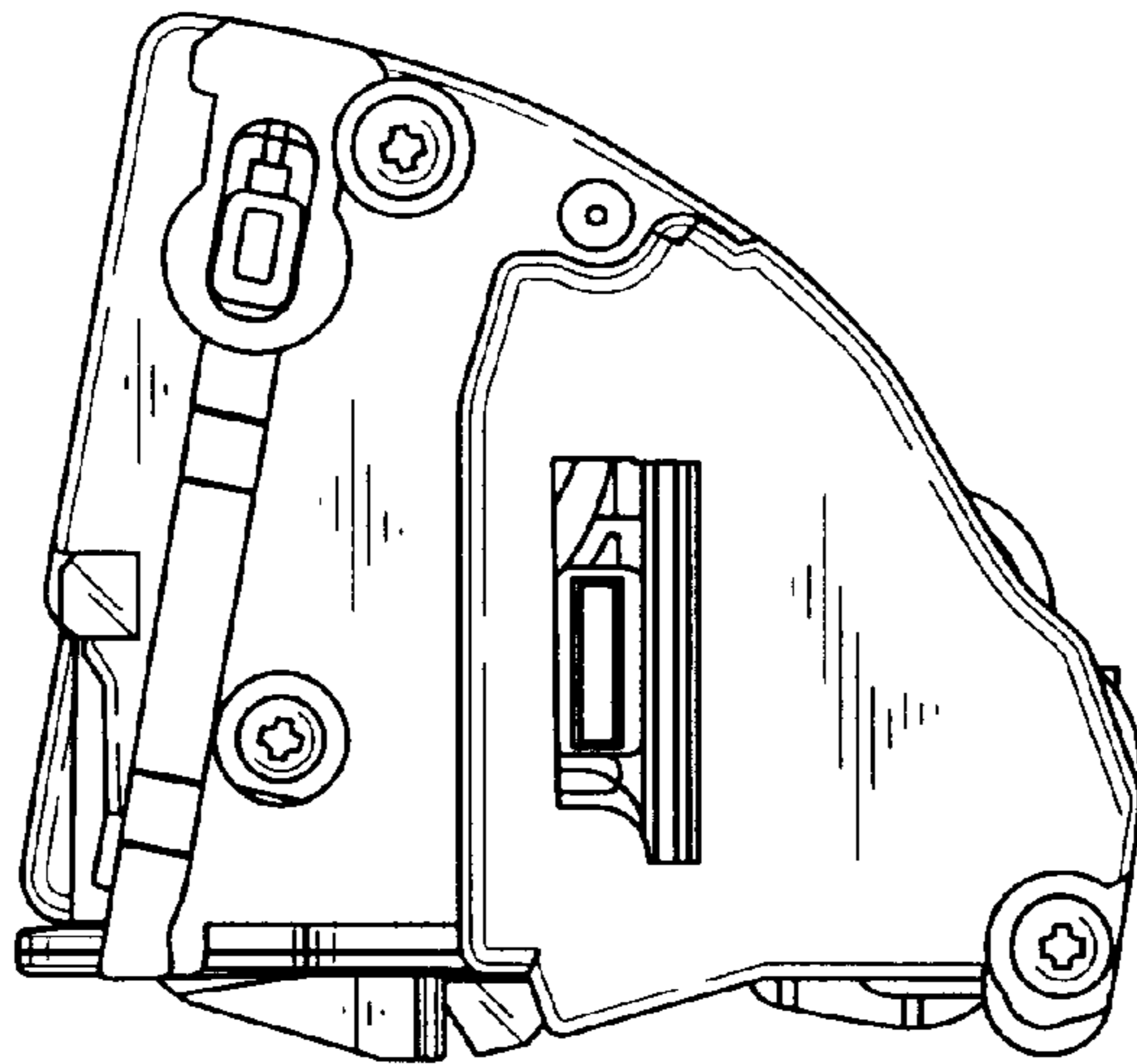
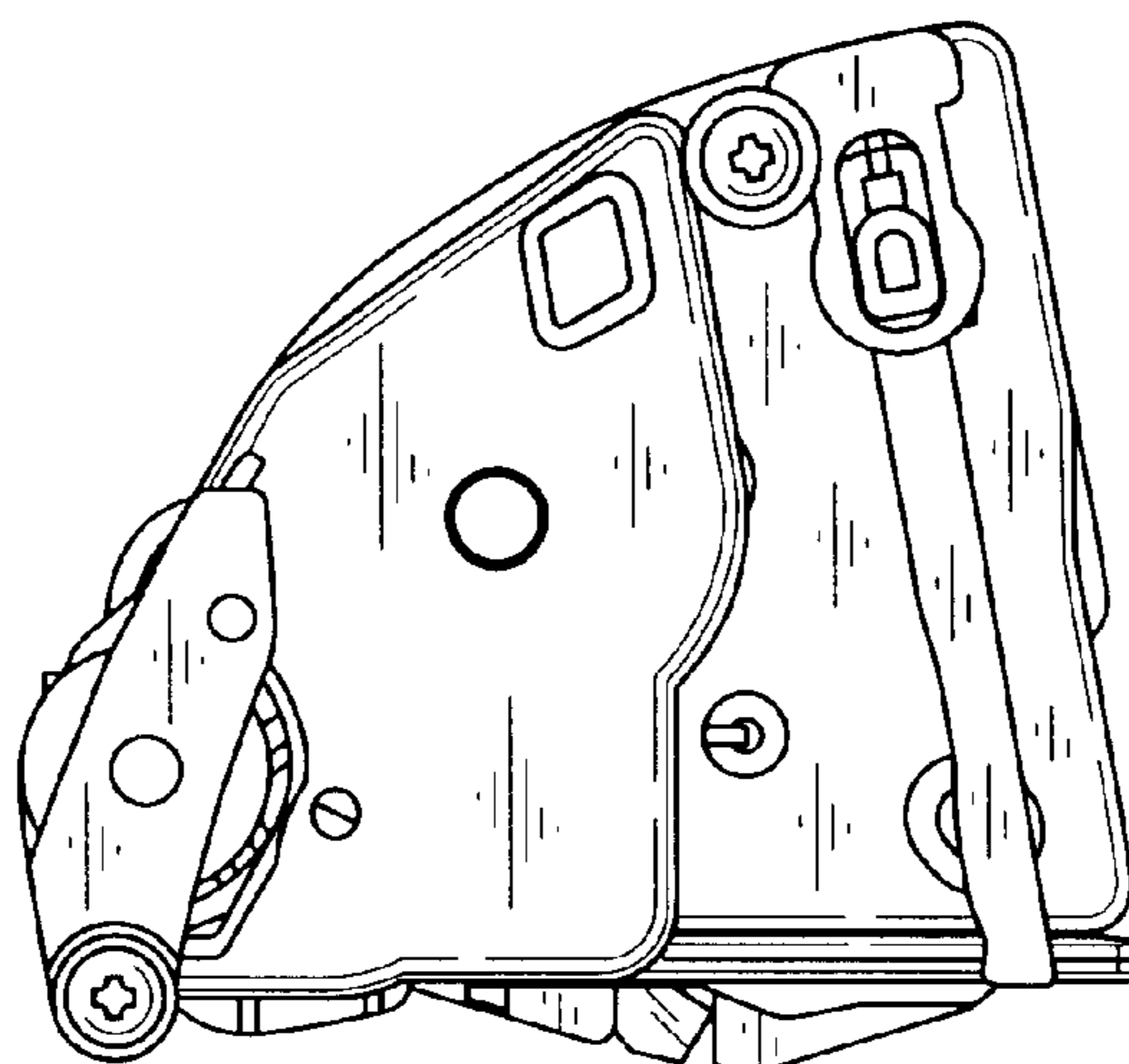


FIG. 6



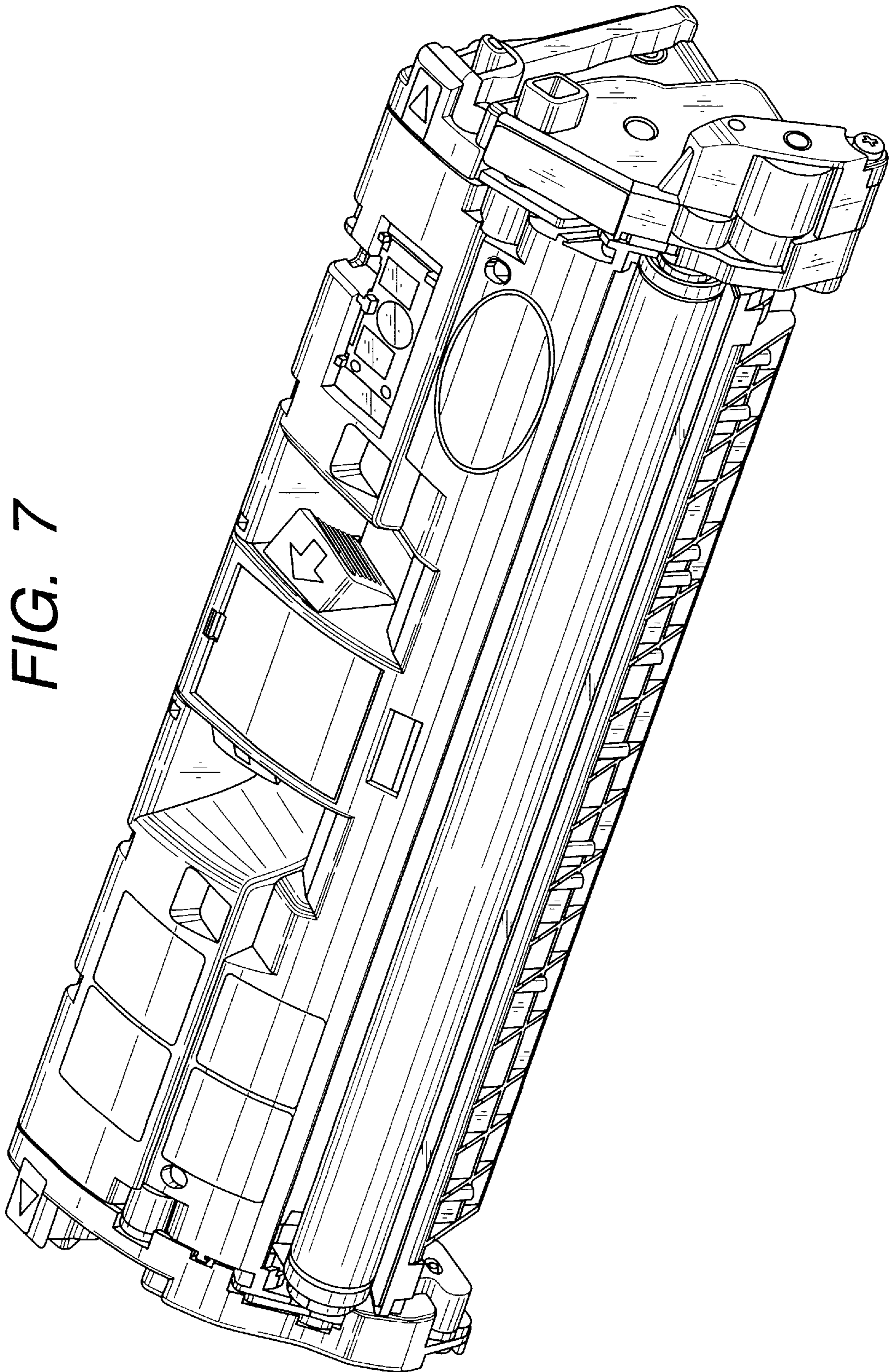


FIG. 7