



US00D477622S

(12) **United States Design Patent**
Phelps et al.

(10) **Patent No.:** **US D477,622 S**
(45) **Date of Patent:** **** Jul. 22, 2003**

(54) **VIDEO CAMERA SYSTEM**

FOREIGN PATENT DOCUMENTS

(75) Inventors: **Daniel R. Phelps**, Peabody, MA (US);
Teresa M. Drummey, Wilmington, MA (US);
Anthony M. Duys, Merrimac, MA (US);
Scott H. Wakefield, Andover, MA (US);
Christopher Ramm, Somerville, MA (US)

WO DM/059952 * 4/2002 16/1
* cited by examiner

Primary Examiner—Adir Aronovich
(74) *Attorney, Agent, or Firm*—Wong, Cabello, Lutsch,
Rutherford & Brucculeri, L.L.P.

(73) Assignee: **Polycom, Inc.**, Pleasanton, CA (US)

(57) **CLAIM**

(**) Term: **14 Years**

The ornamental design for a video camera system, as shown and described.

(21) Appl. No.: **29/167,107**

DESCRIPTION

(22) Filed: **Sep. 6, 2002**

(51) **LOC (7) Cl.** **16-01**

(52) **U.S. Cl.** **D16/202**

(58) **Field of Search** D16/200–205,
D16/208, 218; 348/14.01–14.16, 373–376;
396/419, 427, 535–541

FIG. 1 is a perspective view of a video camera system showing the top and right side of our new design;

FIG. 2 is a perspective view of the video camera system of FIG. 1 with the video camera system panning to the right side;

FIG. 3 is a front view of the video camera system of FIG. 1; FIG. 4 is a left side view of the video camera system of FIG. 1;

FIG. 5 is a right side view of the video camera system of FIG. 1;

FIG. 6 is a rear view of the video camera system of FIG. 1; FIG. 7 is a top view of the video camera system of FIG. 1; and,

FIG. 8 is a bottom view of the video camera system of FIG. 1.

(56) **References Cited**

U.S. PATENT DOCUMENTS

D385,571 S	*	10/1997	Abrams	D16/203
D394,255 S	*	5/1998	Napoleone et al.	D14/124
D394,274 S	*	5/1998	Suzuki	D16/202
D400,549 S	*	11/1998	Wakefield	D16/202
5,900,907 A	*	5/1999	Malloy et al.	348/14.1
D433,431 S	*	11/2000	Uehara et al.	D16/202
D446,531 S	*	8/2001	Beck et al.	D16/202

1 Claim, 5 Drawing Sheets

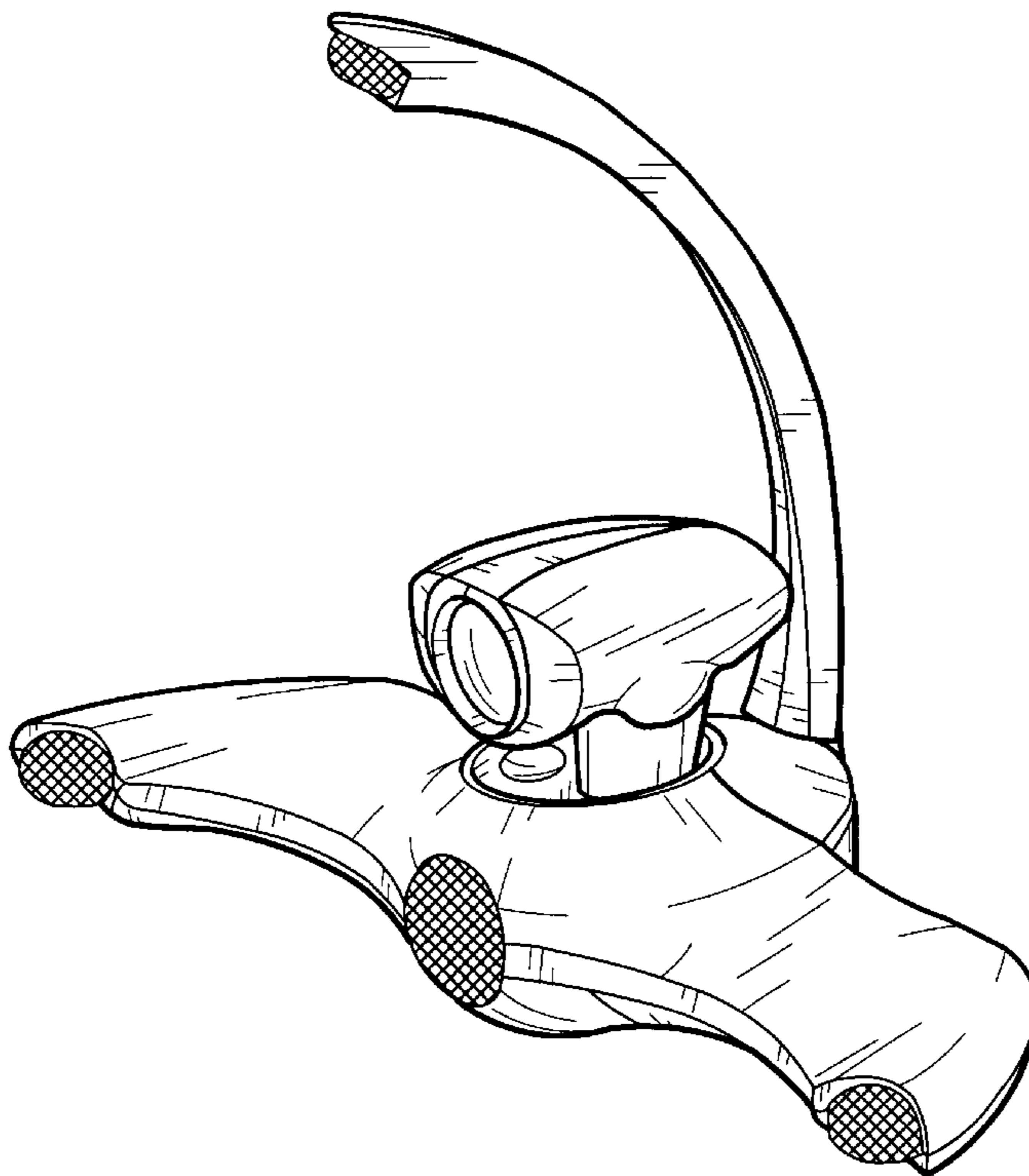


FIG. 1

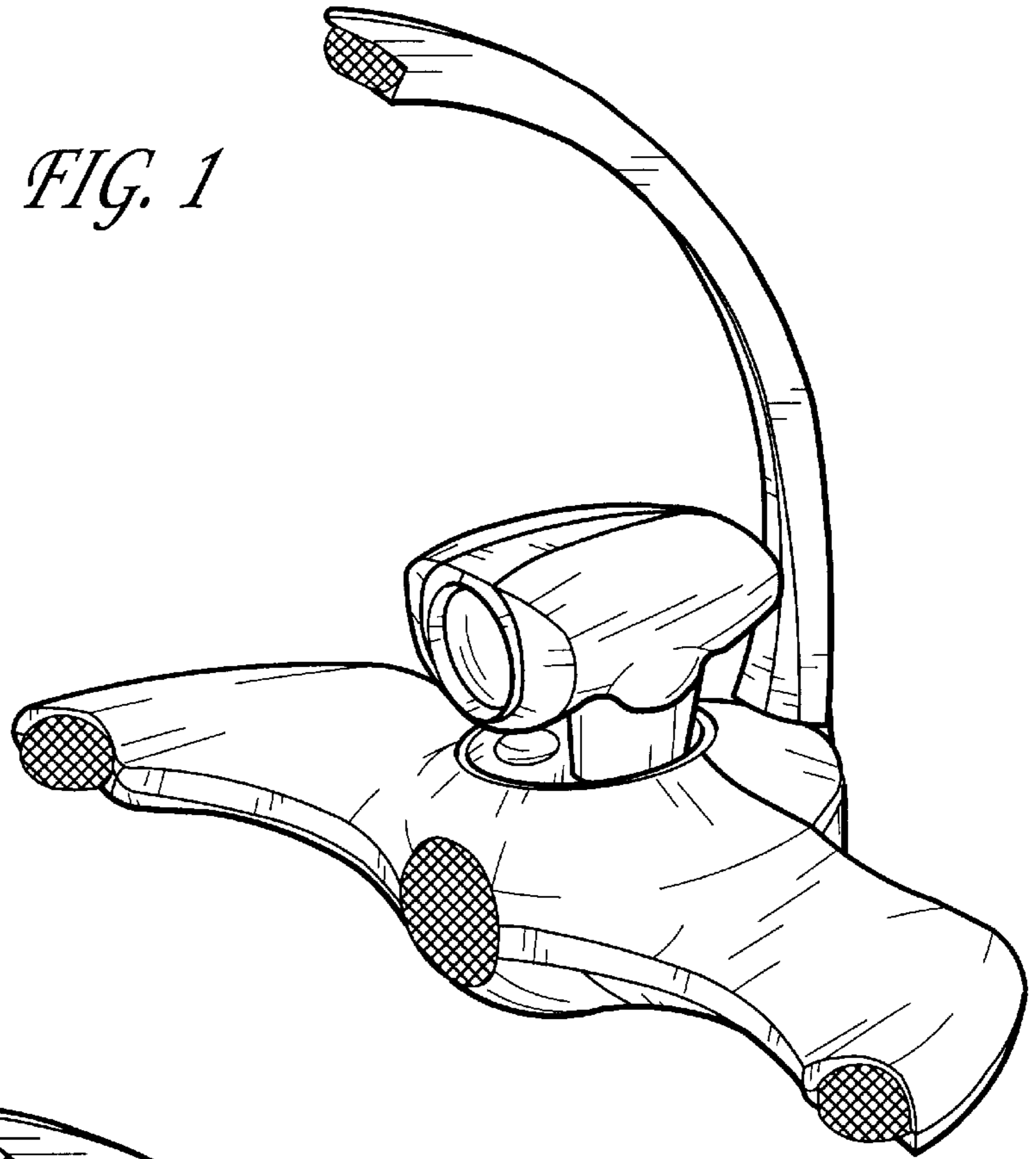
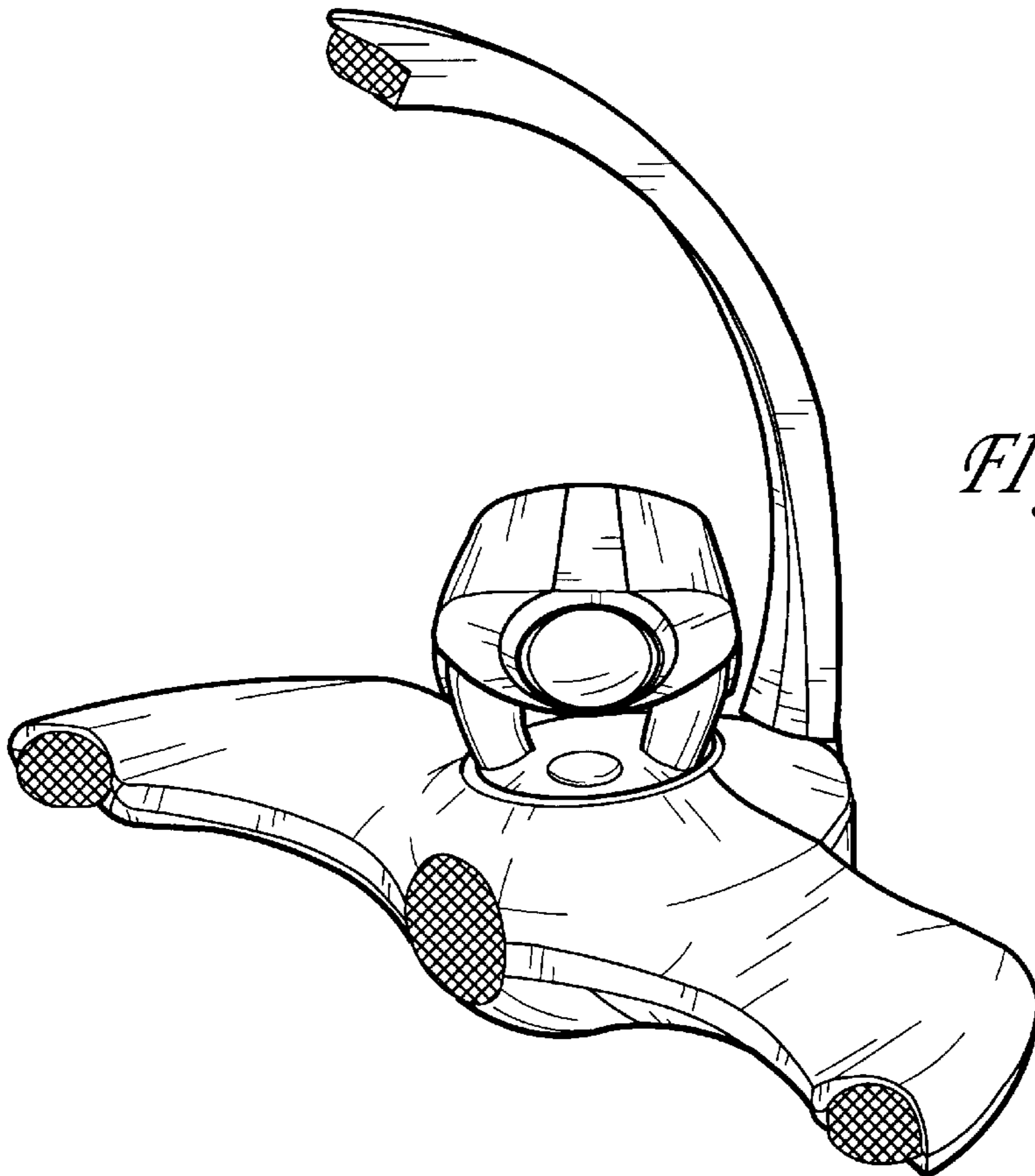


FIG. 2



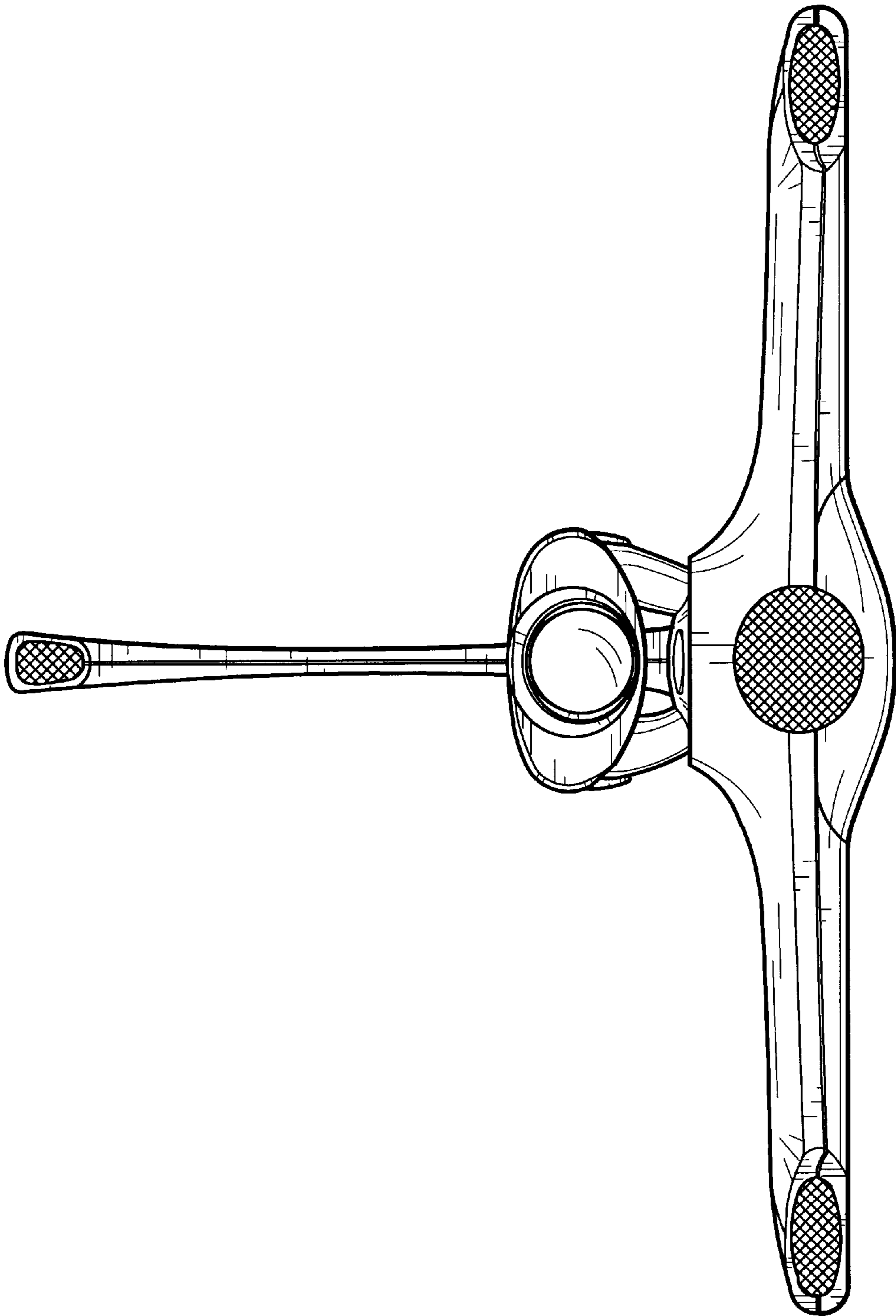
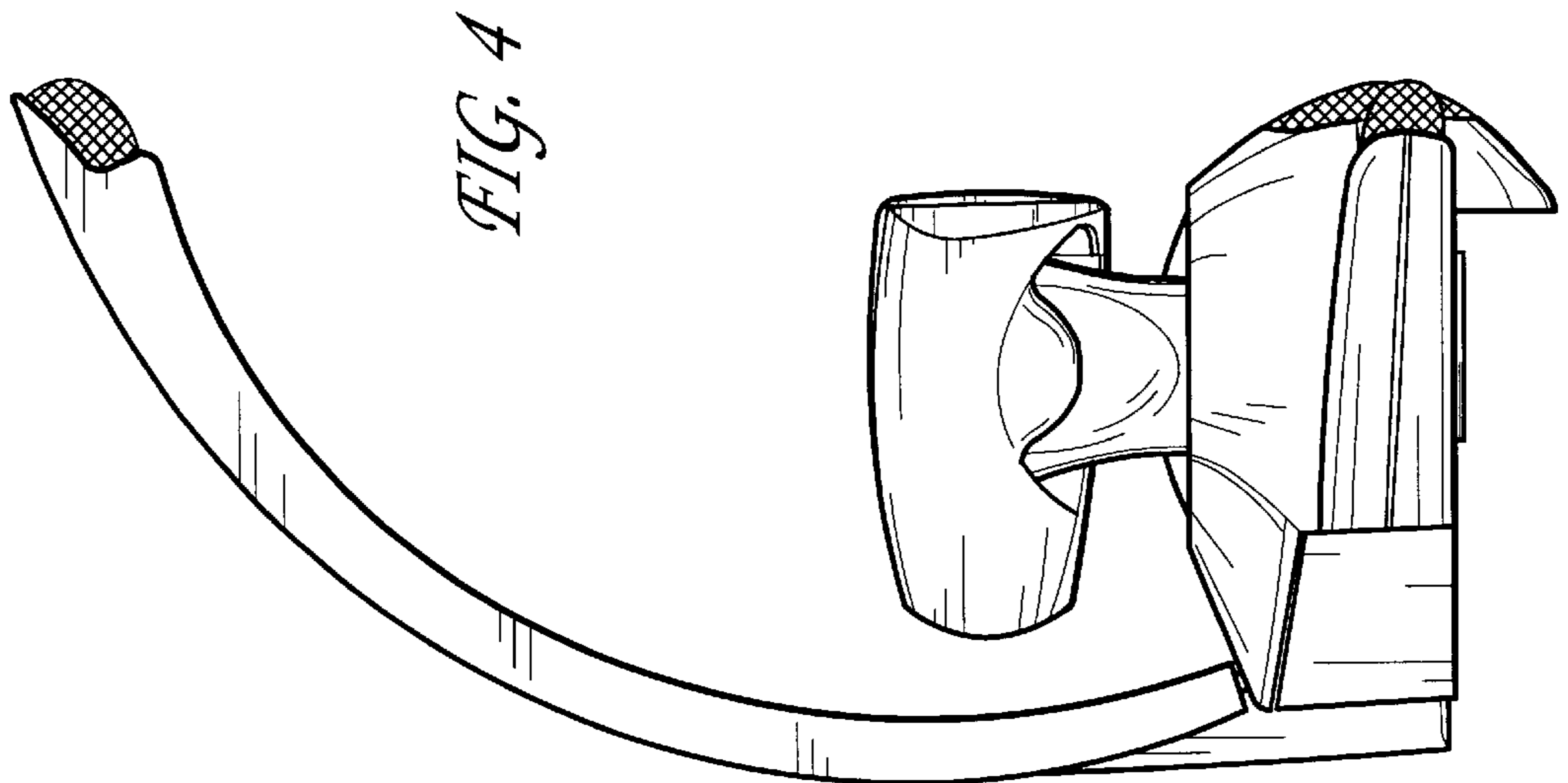
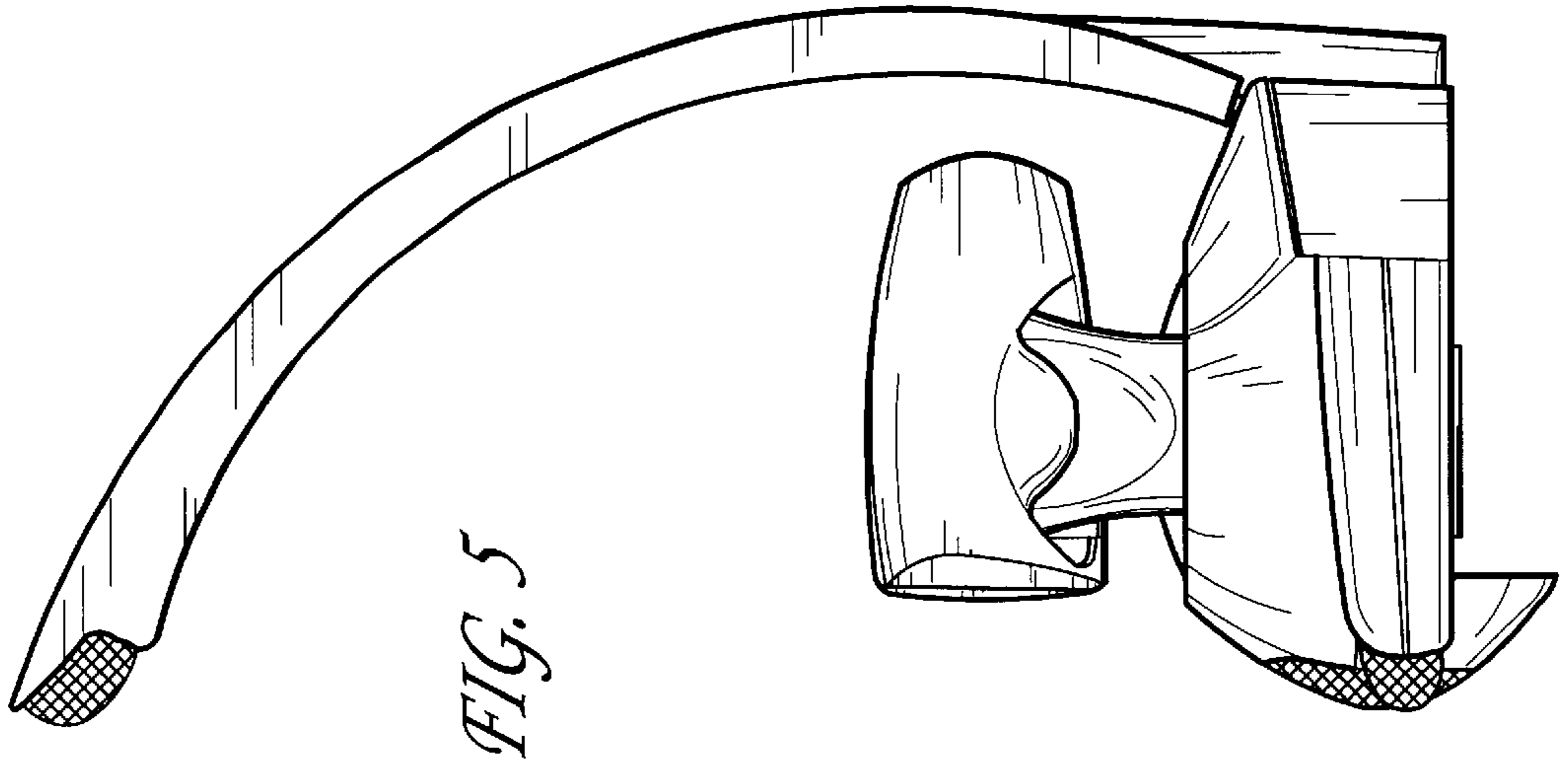


FIG. 3



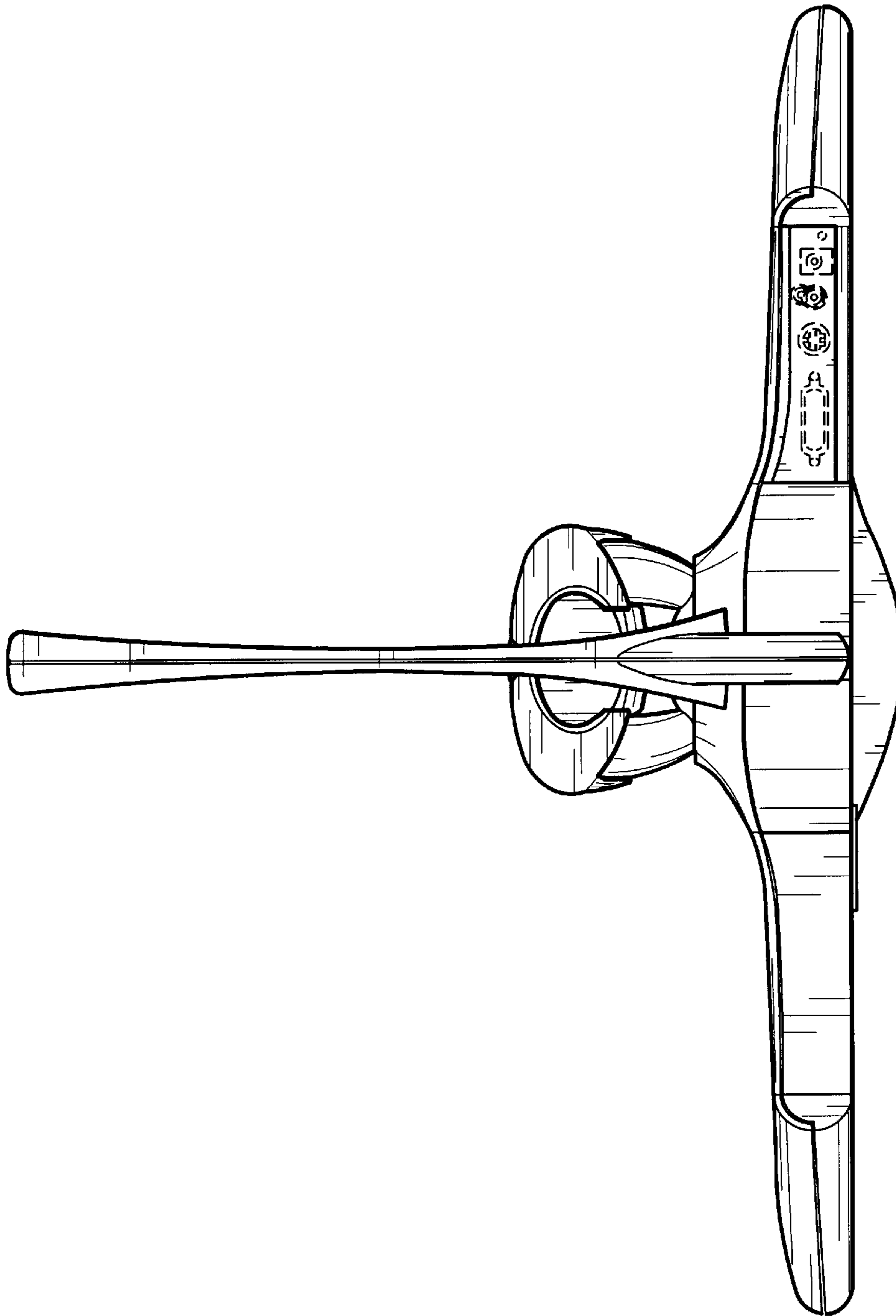


FIG. 6

