



US00D477621S

(12) **United States Design Patent**
Katayama

(10) **Patent No.:** **US D477,621 S**

(45) **Date of Patent:** **** Jul. 22, 2003**

- (54) **DIGITAL STILL CAMERA**
- (75) Inventor: **Yuji Katayama, Shibuya-ku (JP)**
- (73) Assignee: **Kabushiki Kaisha Toshiba (JP)**
- (**) Term: **14 Years**
- (21) Appl. No.: **29/164,778**
- (22) Filed: **Aug. 1, 2002**
- (30) **Foreign Application Priority Data**
Feb. 28, 2002 (JP) 2002-005162
- (51) **LOC (7) Cl.** **16-01**
- (52) **U.S. Cl.** **D16/202; D16/212; D16/218**
- (58) **Field of Search** **D16/200-205,**
D16/208, 212, 218; 396/448, 535, 536-541

- (56) **References Cited**
- U.S. PATENT DOCUMENTS**
- 4,557,574 A * 12/1985 Kohno et al. 396/448
- D374,449 S * 10/1996 Fukushima et al. D16/208
- D397,129 S * 8/1998 Eto et al. D16/209
- D437,606 S * 2/2001 Suto et al. D16/218
- D444,162 S * 6/2001 Senda D16/202
- 6,347,893 B1 * 2/2002 Shiono et al. 396/448
- D468,332 S * 1/2003 Ito D16/202

- FOREIGN PATENT DOCUMENTS**
- JP 1093743 12/2000

JP	1093744	12/2000
JP	1099844	2/2001
JP	1111617	6/2001
JP	1112273	6/2001

* cited by examiner

Primary Examiner—Adir Aronovich
(74) *Attorney, Agent, or Firm*—Banner & Witcoff, Ltd.

(57) **CLAIM**

The ornamental design for a digital still camera, as shown and described.

DESCRIPTION

FIG. 1 is a top, front and right side perspective view of a digital still camera showing our new design, FIG. 2 is a front elevational view thereof, FIG. 3 is a rear elevational view thereof, FIG. 4 is a left side elevational view thereof, FIG. 5 is a right side elevational view thereof, FIG. 6 is a top plan view thereof; and FIG. 7 is a bottom plan view thereof. FIG. 8 is a front elevational view showing the article with a lens cover being opened and a strobe being pulled out thereof; and, FIG. 9 is a right side elevational view showing the article with the lens cover being opened and the strobe being pulled out thereof.

1 Claim, 4 Drawing Sheets

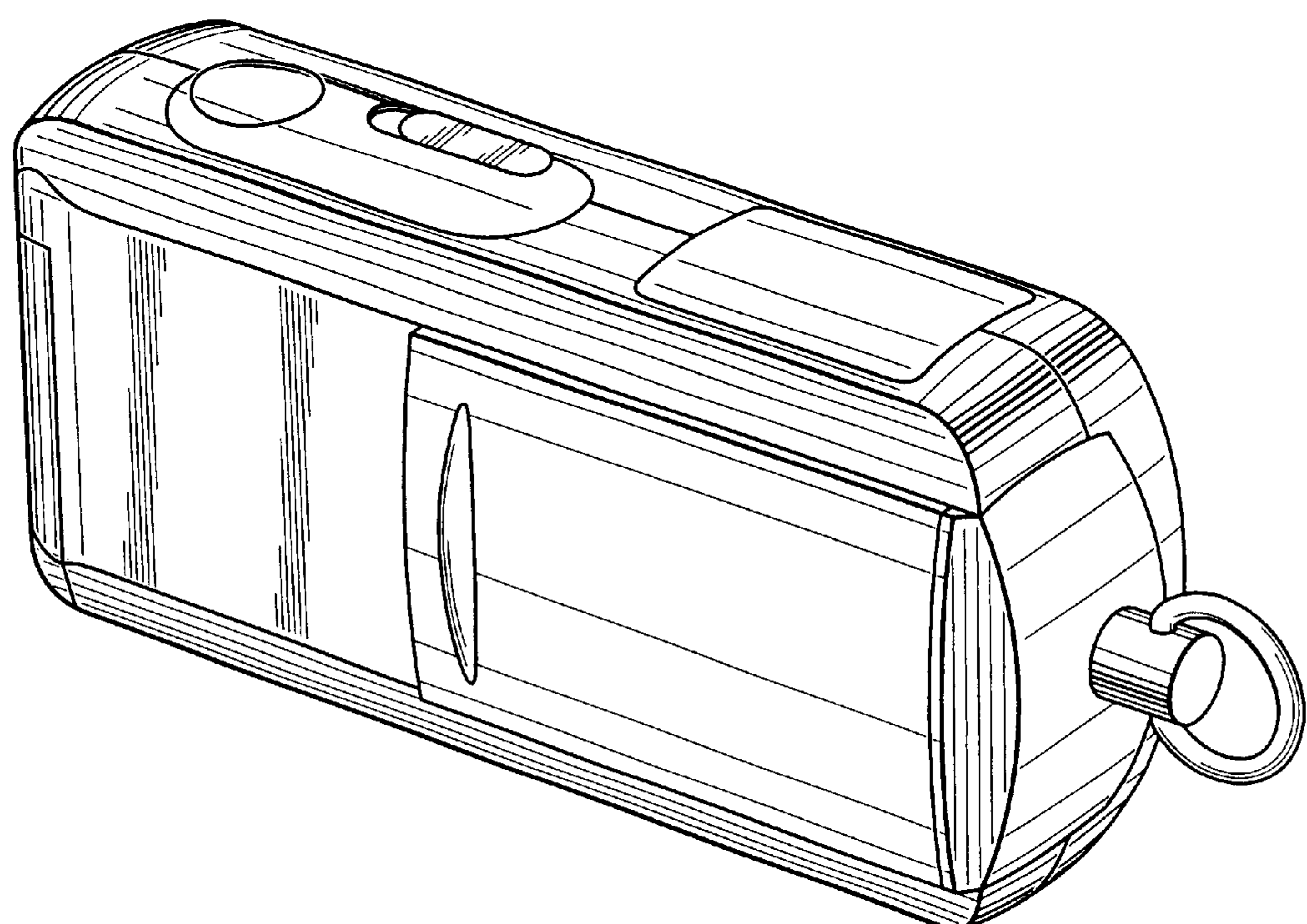


FIG. 1

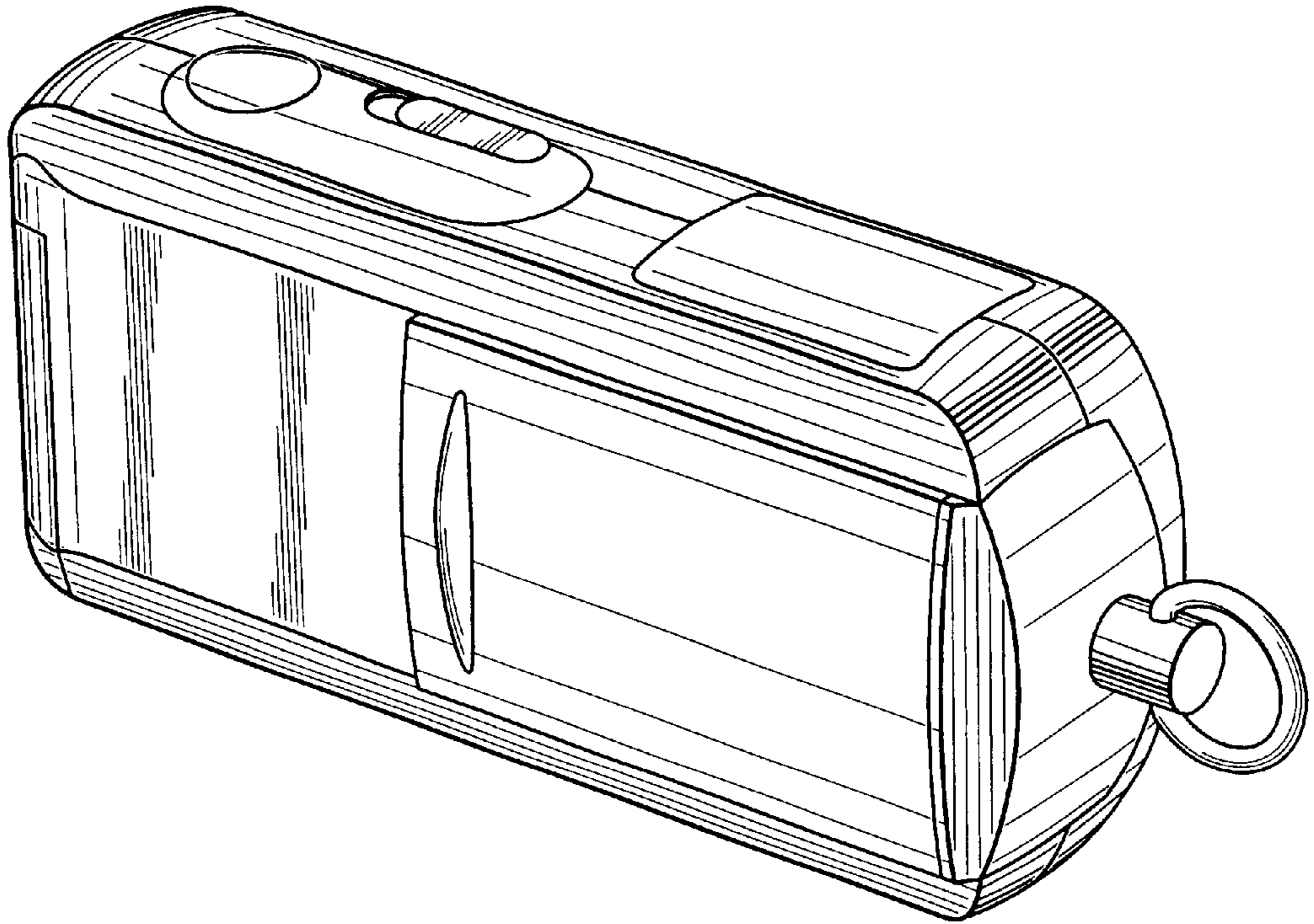


FIG. 2

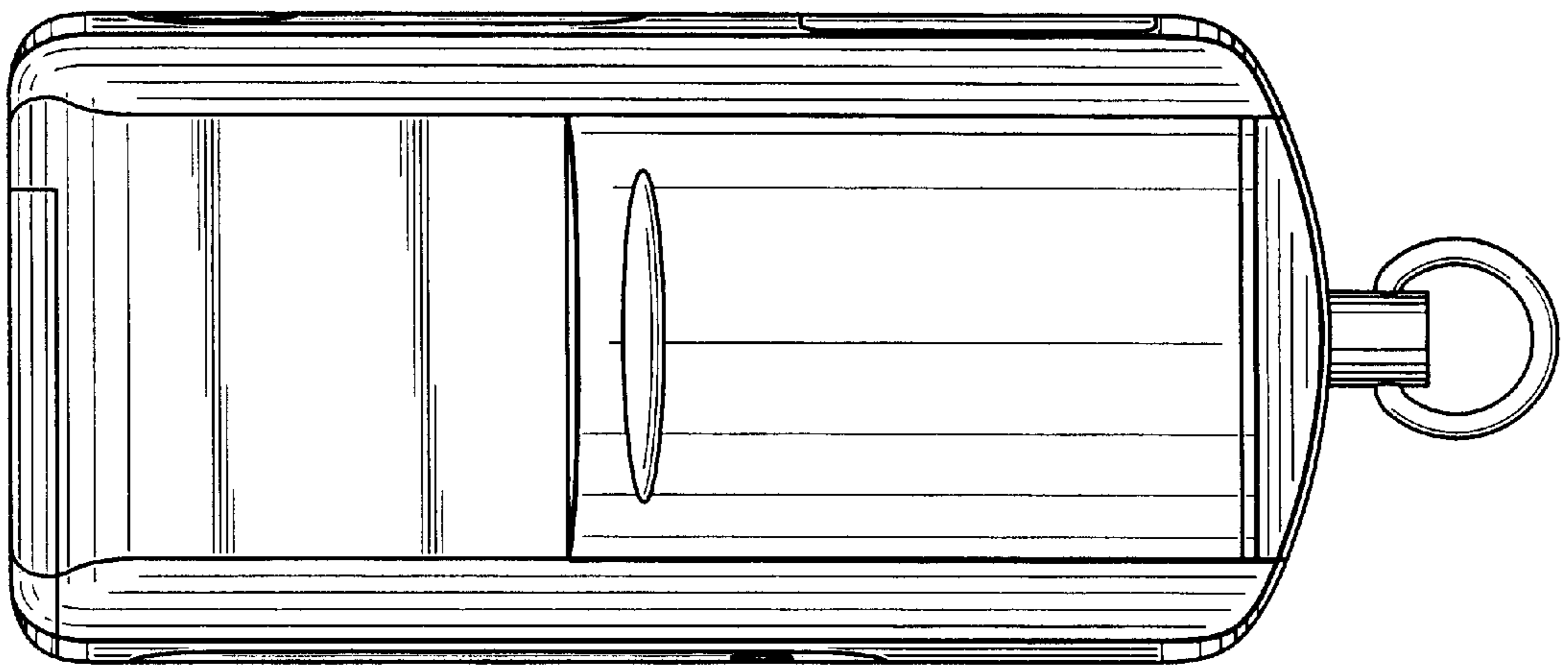


FIG. 3

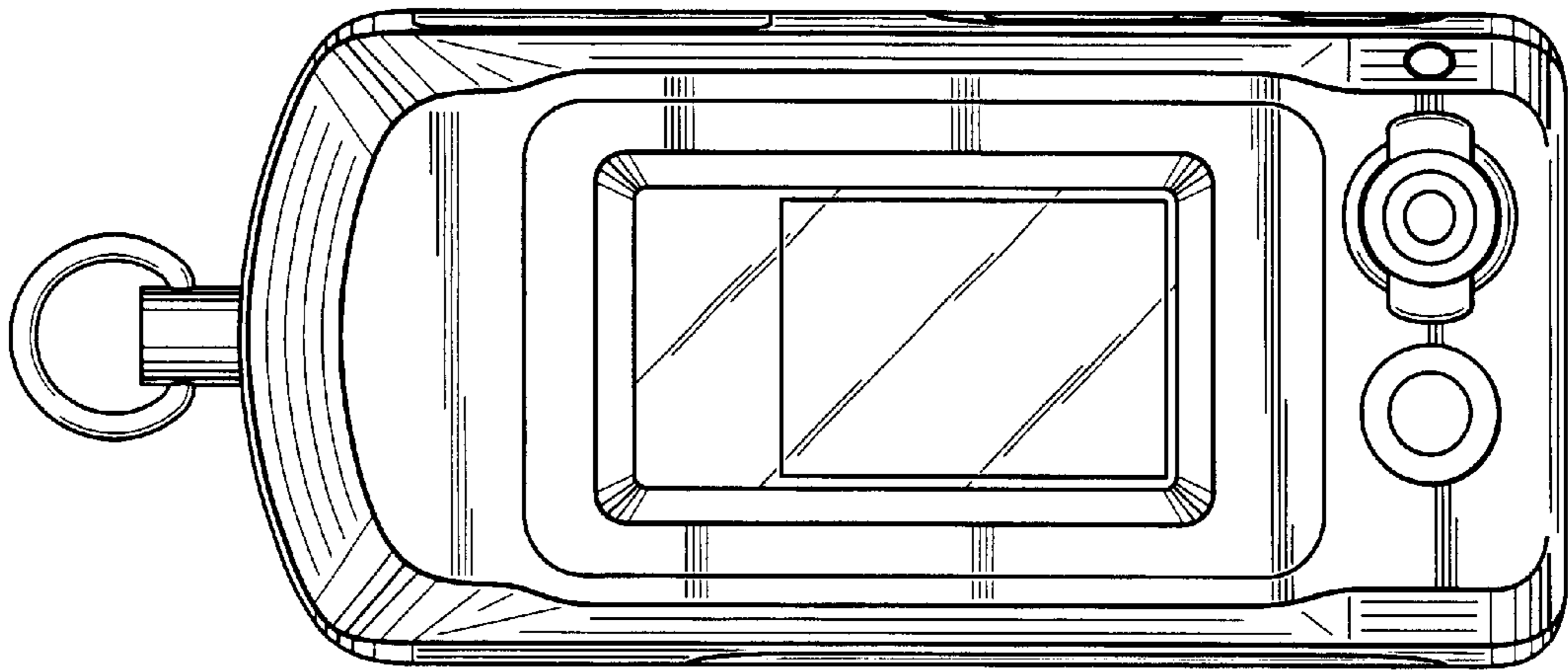


FIG. 4

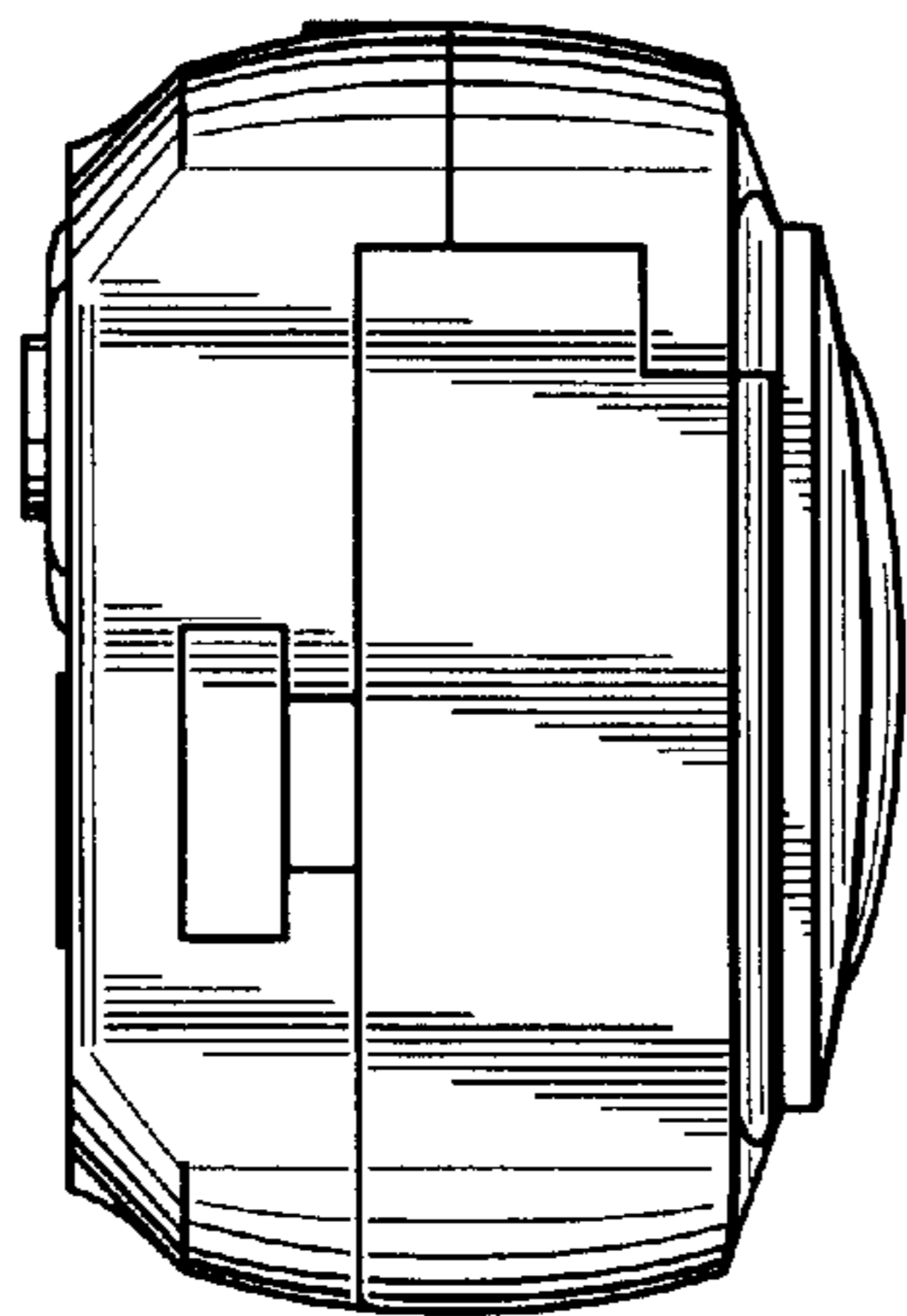


FIG. 5

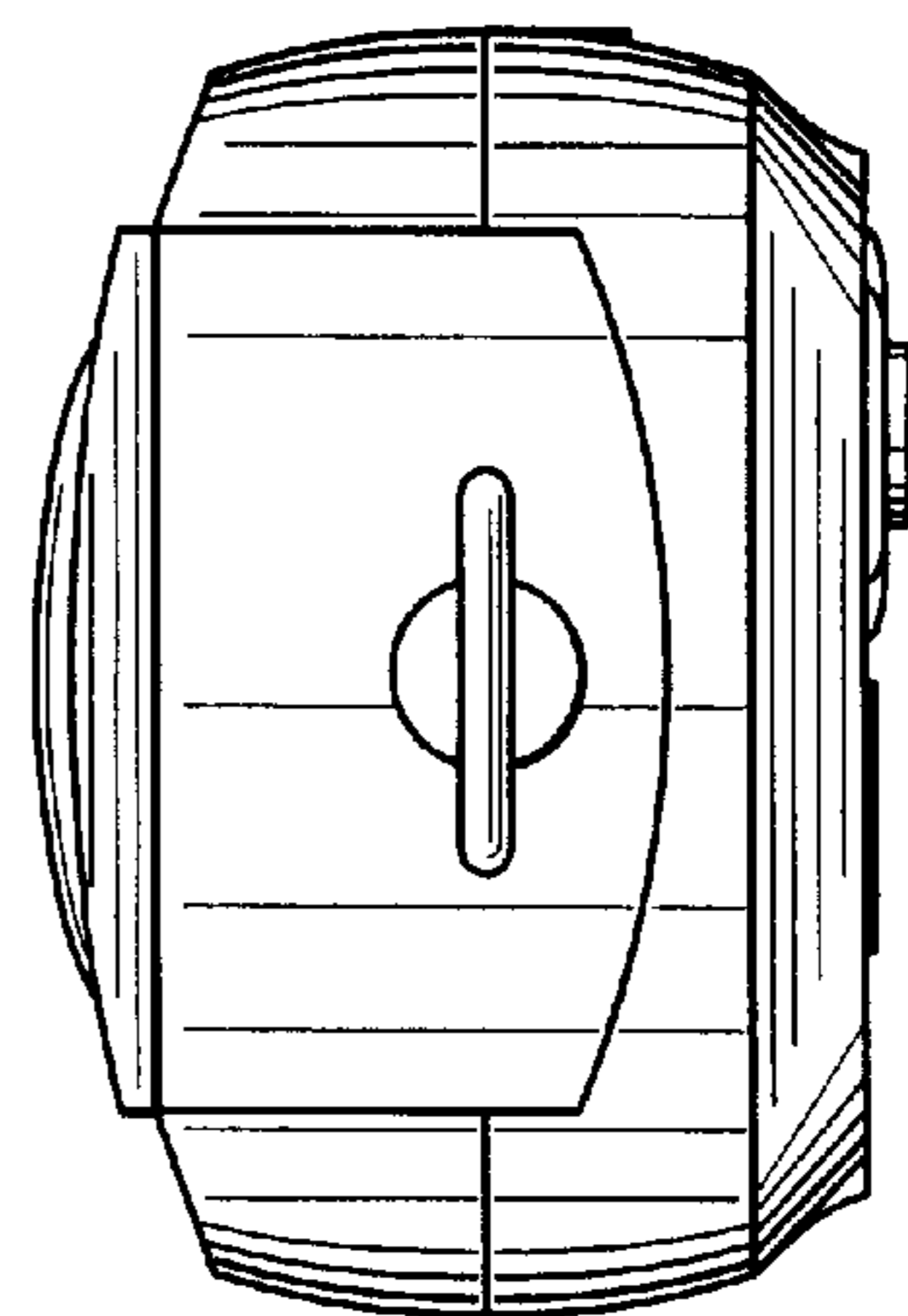


FIG. 6

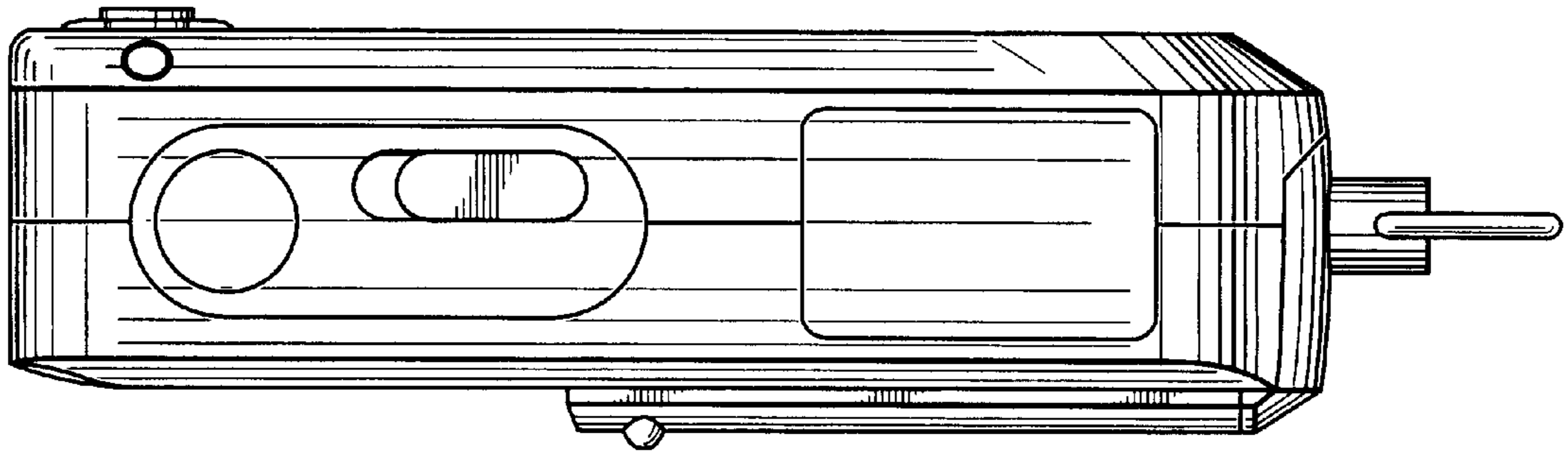


FIG. 7

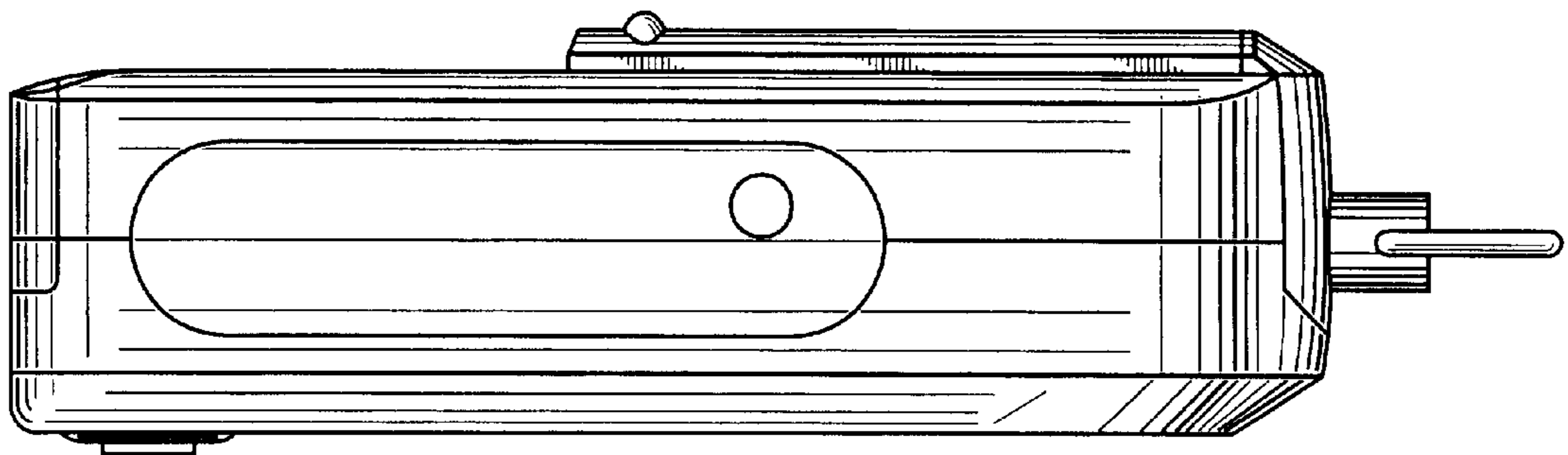


FIG. 8

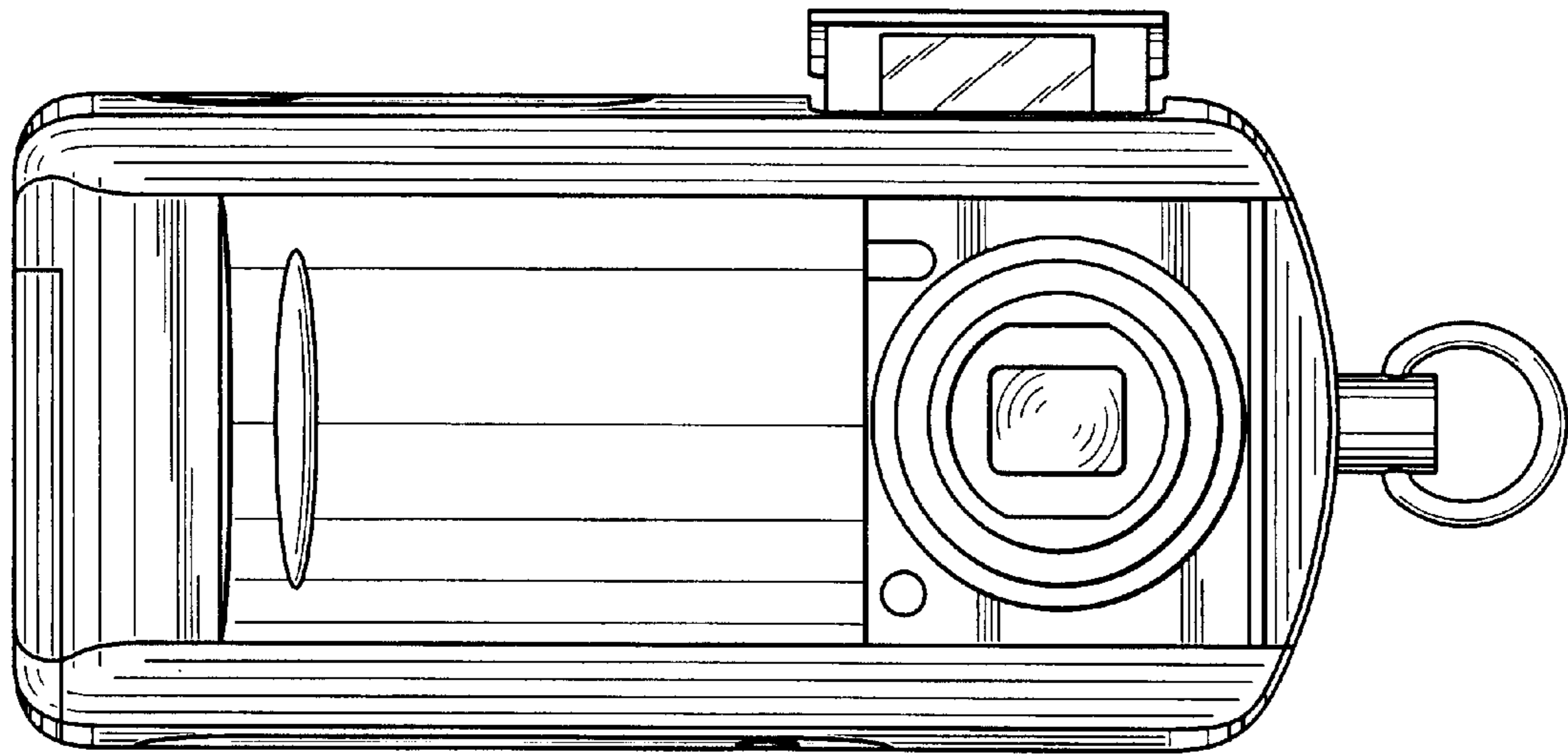


FIG. 9

