



US00D477619S

(12) **United States Design Patent**
Coullahan et al.

(10) **Patent No.:** **US D477,619 S**
(45) **Date of Patent:** **** Jul. 22, 2003**

(54) **MOVABLE BARRIER OPERATOR**

(75) Inventors: **Kevin Coullahan**, Santa Cruz, CA (US); **Howard Nuk**, Sunnyvale, CA (US); **Michael Vöge**, San Francisco, CA (US)

(73) Assignee: **The Chamberlain Group, Inc.**, Elmhurst, IL (US)

(**) Term: **14 Years**

(21) Appl. No.: **29/146,353**

(22) Filed: **Aug. 8, 2001**

(51) **LOC (7) Cl.** **15-09**

(52) **U.S. Cl.** **D15/148**

(58) **Field of Search** D15/148; 49/197-206; 160/188-201

(56) **References Cited**

U.S. PATENT DOCUMENTS

D404,746 S * 1/1999 Hermann D15/146
6,374,543 B1 * 4/2002 Bishai 49/199

* cited by examiner

Primary Examiner—Antoine Duval Davis

(74) *Attorney, Agent, or Firm*—Fitch, Even, Tabin, & Flannery

(57) **CLAIM**

The ornamental design for a movable barrier operator, as shown and described.

DESCRIPTION

FIG. 1 is a perspective view of a movable barrier operator according to our new design, the broken lines of the movable

barrier operator are for illustrative purposes only and form no part of the claimed design;

FIG. 2 is a front elevational view of the movable barrier operator of FIG. 1;

FIG. 3 is a bottom plan view of the movable barrier operator of FIG. 1;

FIG. 4 is a side elevational view of the movable barrier operator of FIG. 1;

FIG. 5 is a top plan view of the movable barrier operator of FIG. 1;

FIG. 6 is a side elevational view of the movable barrier operator of FIG. 1;

FIG. 7 is a rear elevational view of the movable barrier operator of FIG. 1;

FIG. 8 is a perspective view of a movable barrier operator according to our new design, the broken lines of the movable barrier operator are for illustration purposes only and form no part of the claimed design.

FIG. 9 is a bottom plan view of the movable barrier operator of FIG. 8;

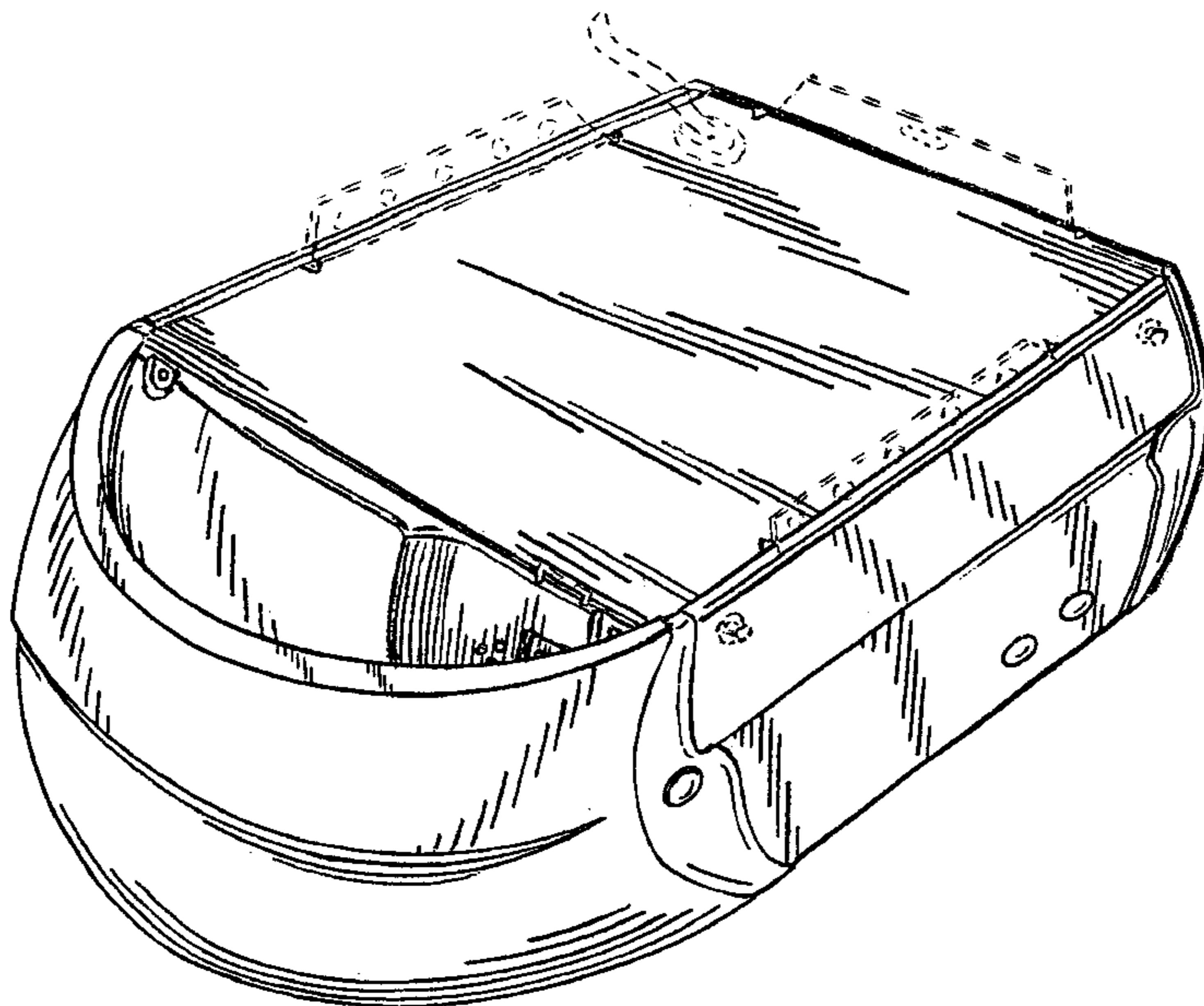
FIG. 10 is a side elevational view of the movable barrier operator of FIG. 8;

FIG. 11 is a top plan view of the movable barrier operator of FIG. 8;

FIG. 12 is a side elevational view of the movable barrier operator of FIG. 8; and,

FIG. 13 is a rear elevational view of the movable barrier operator of FIG. 8.

1 Claim, 7 Drawing Sheets



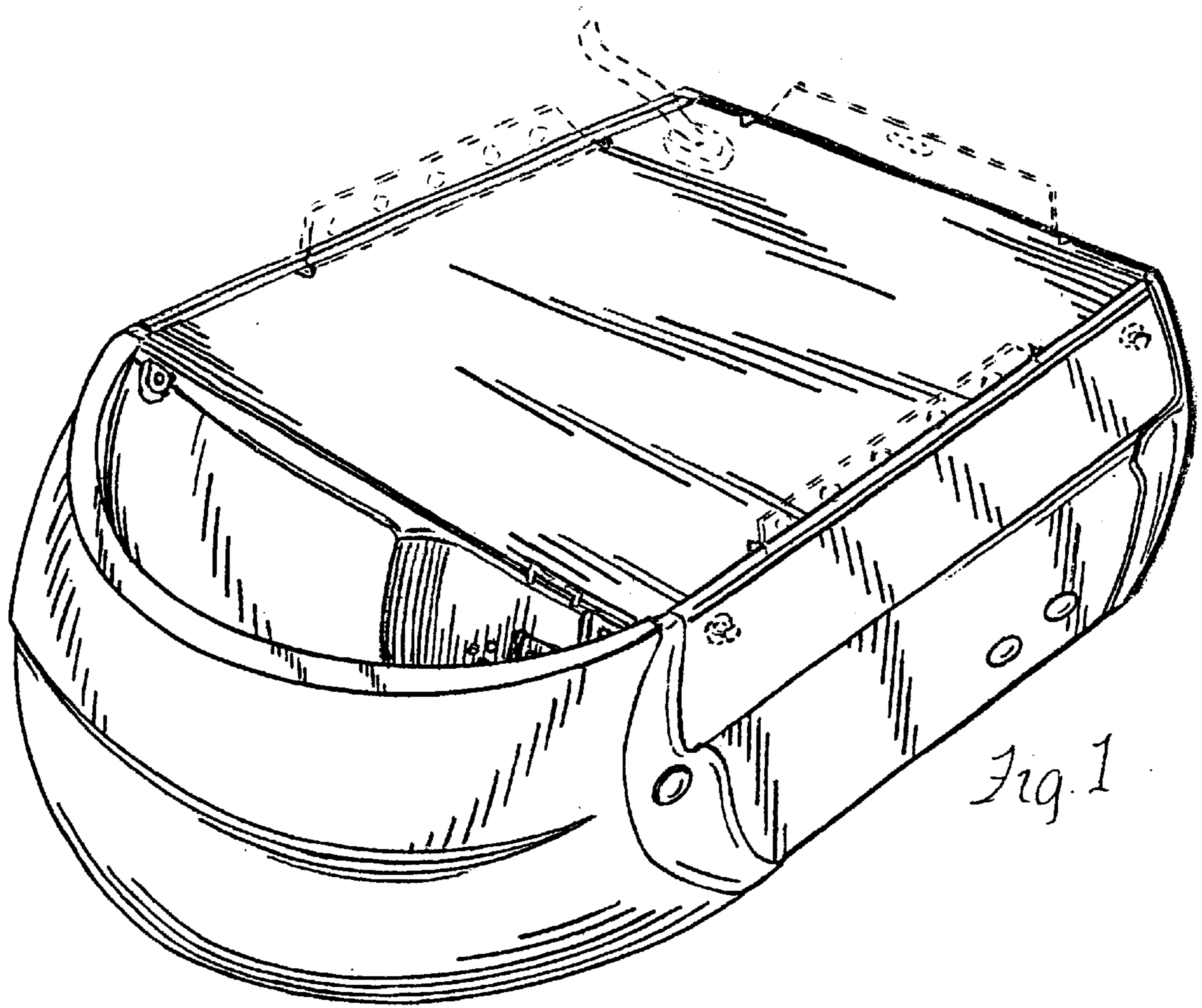


Fig. 1

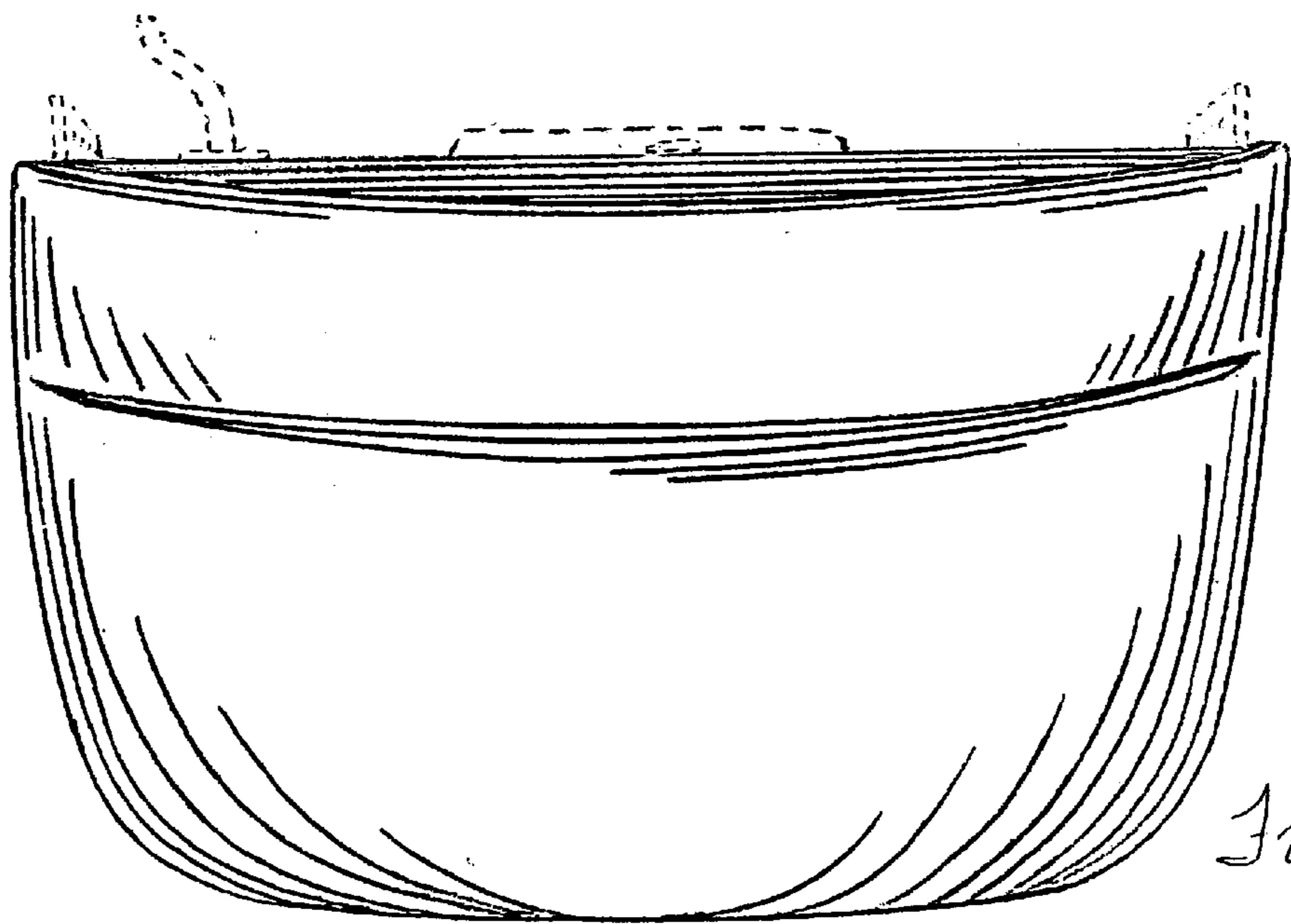


Fig. 2

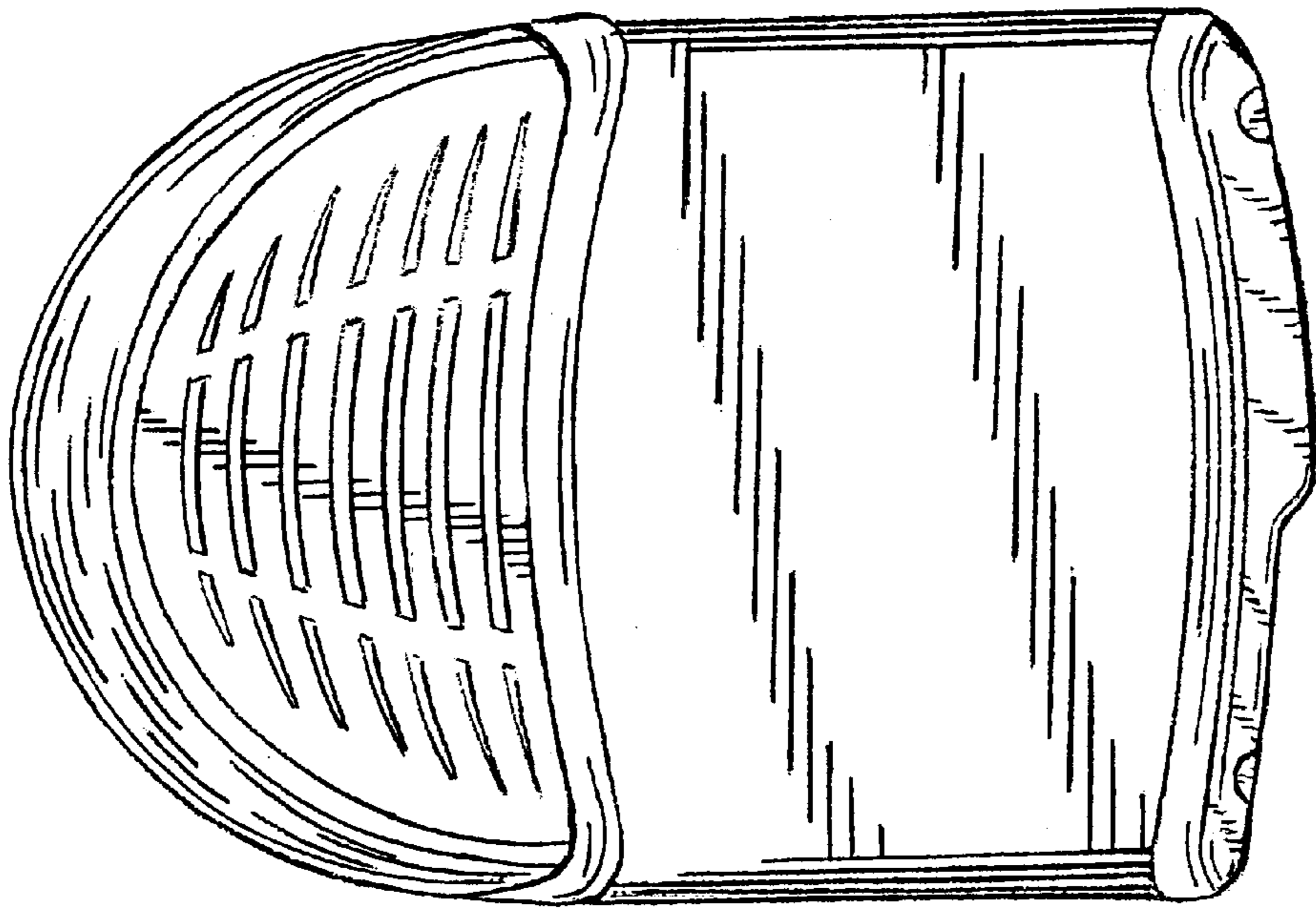


Fig. 3

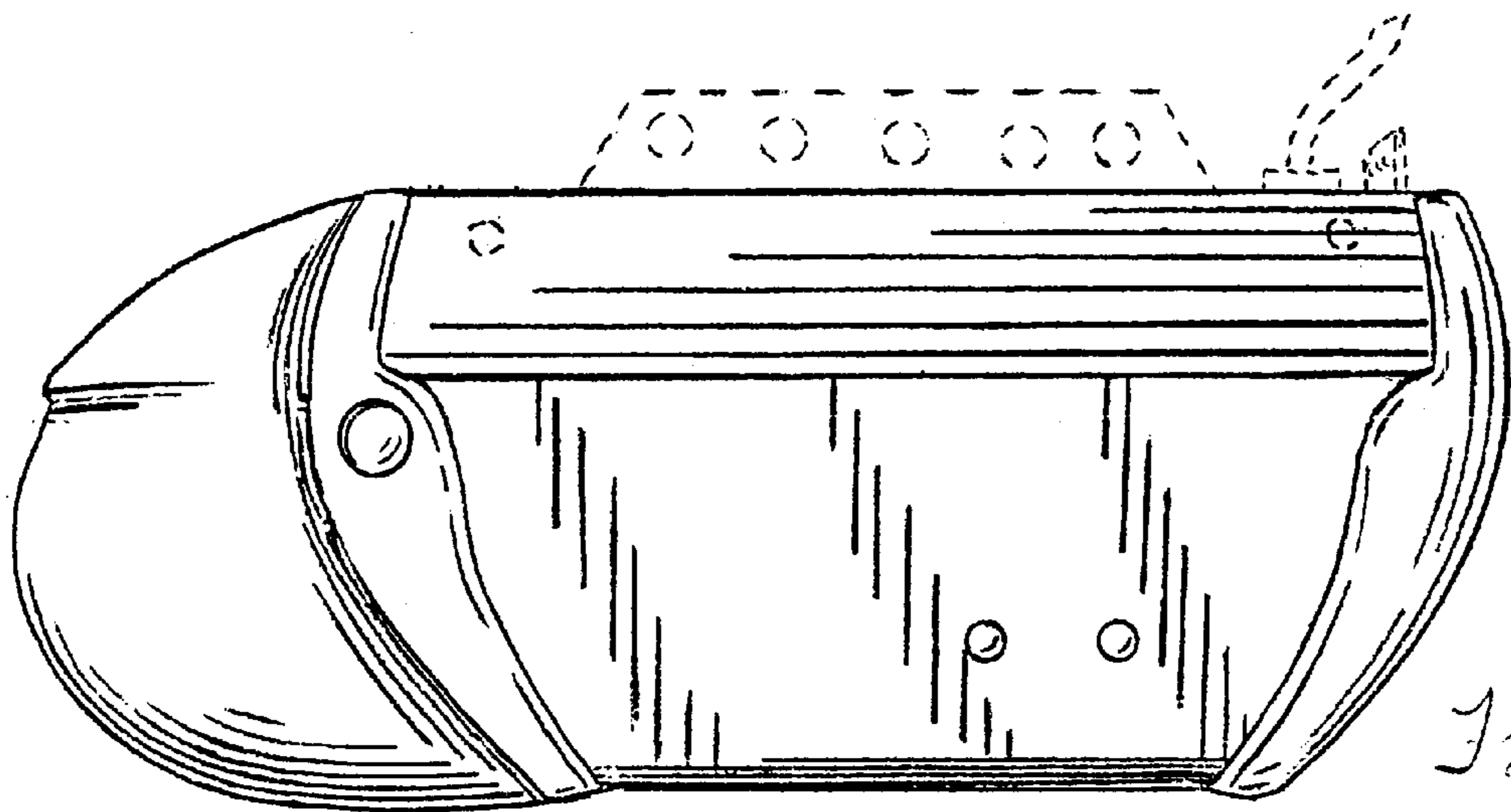


Fig. 4

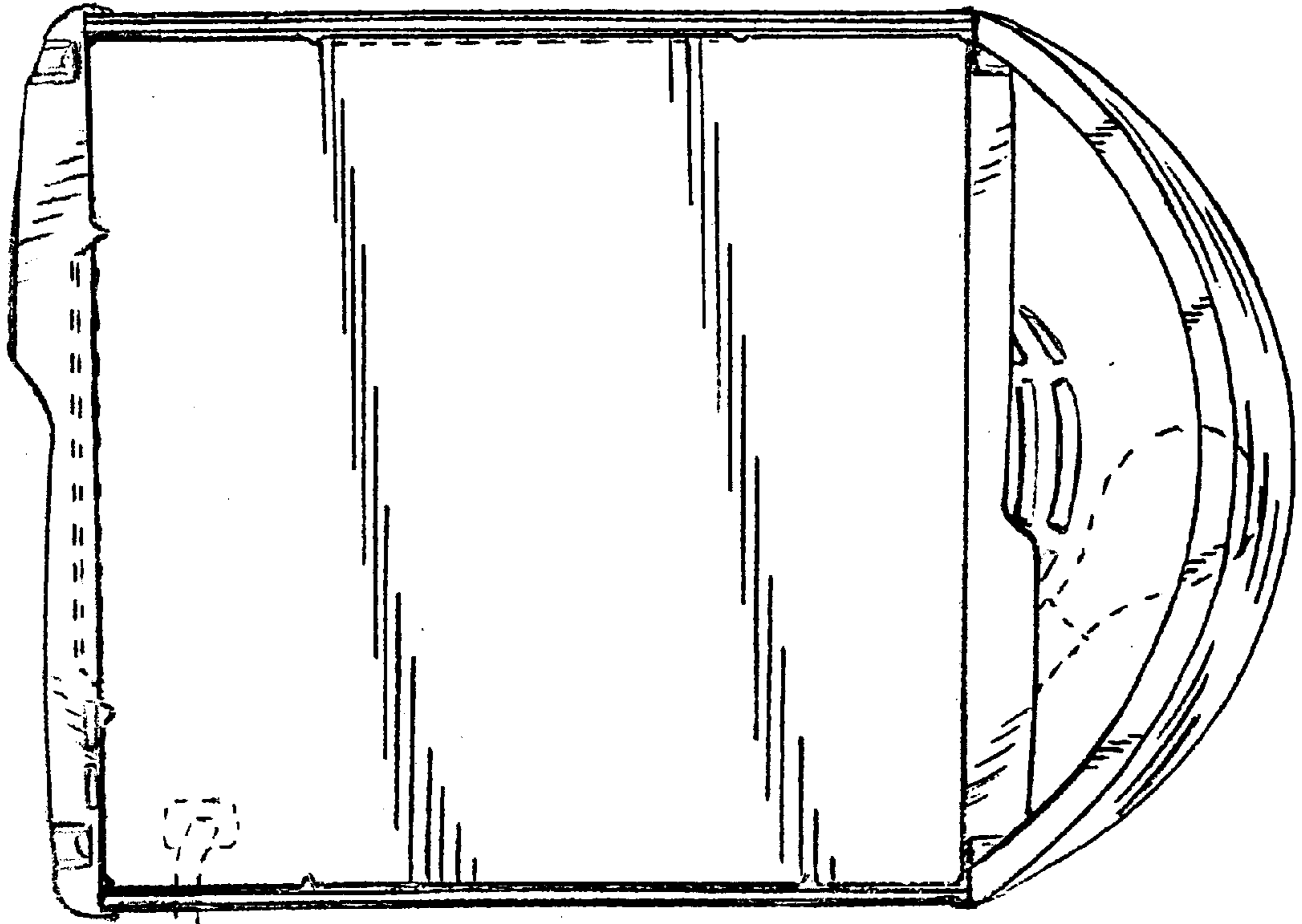


Fig. 5

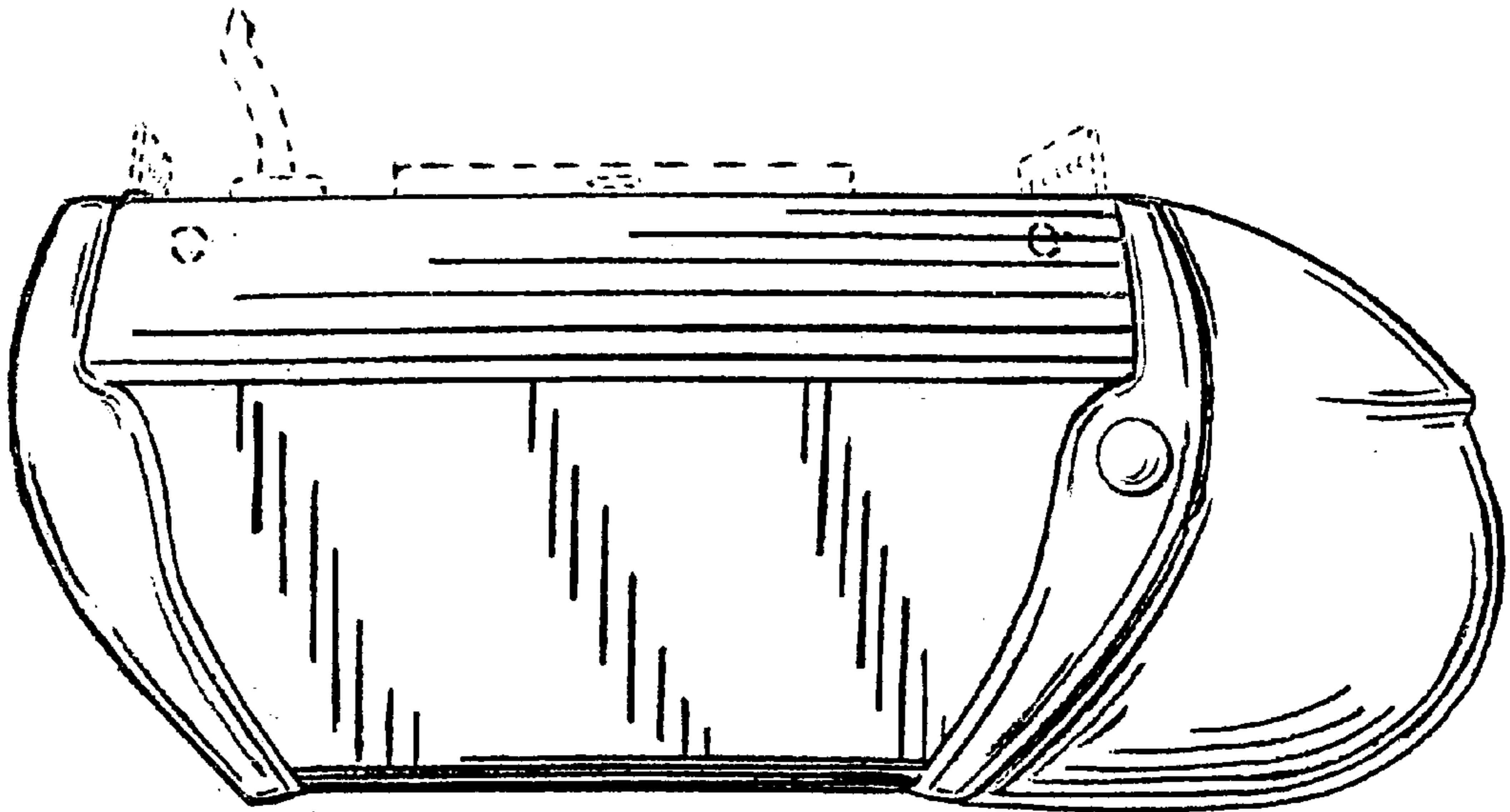
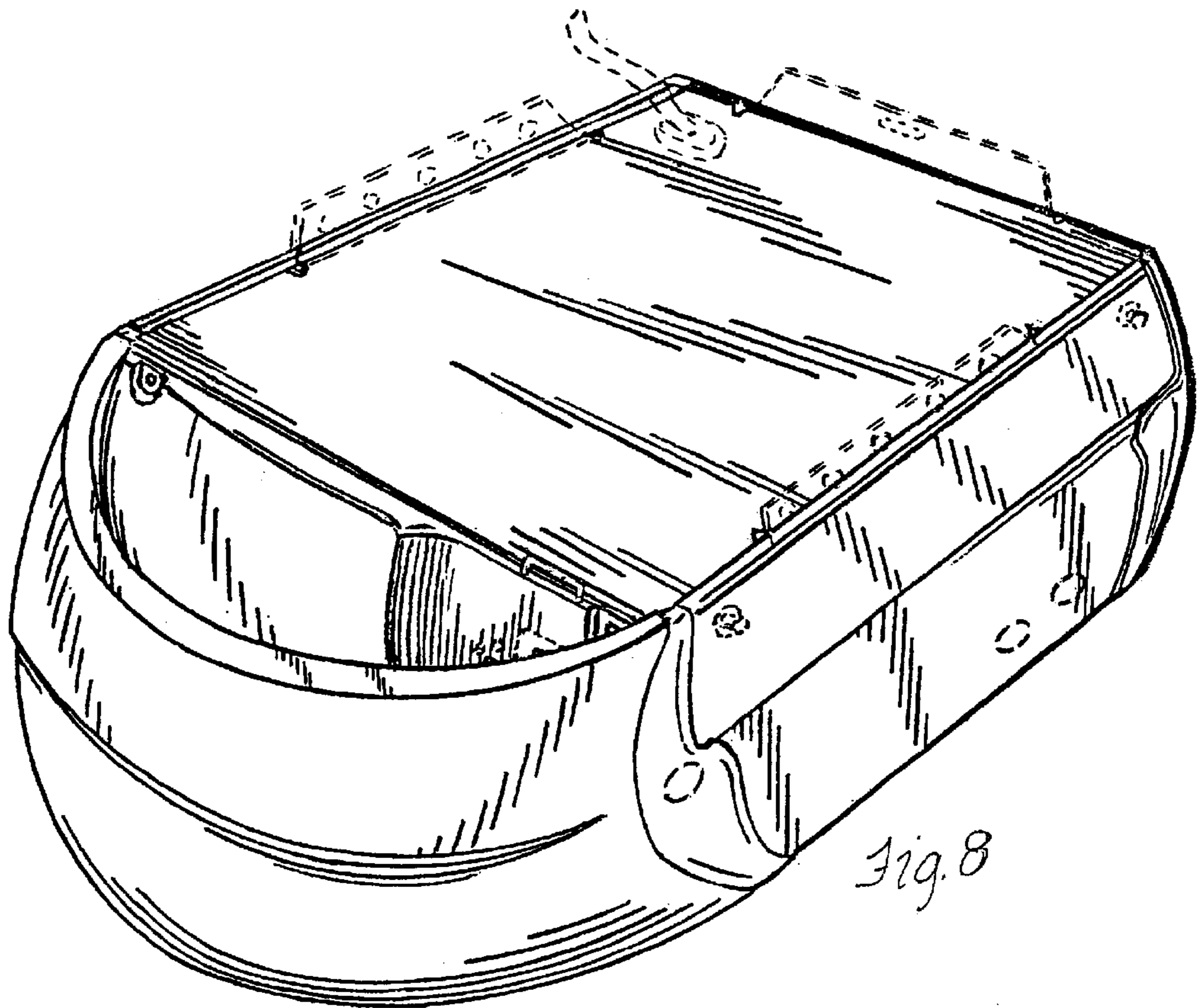
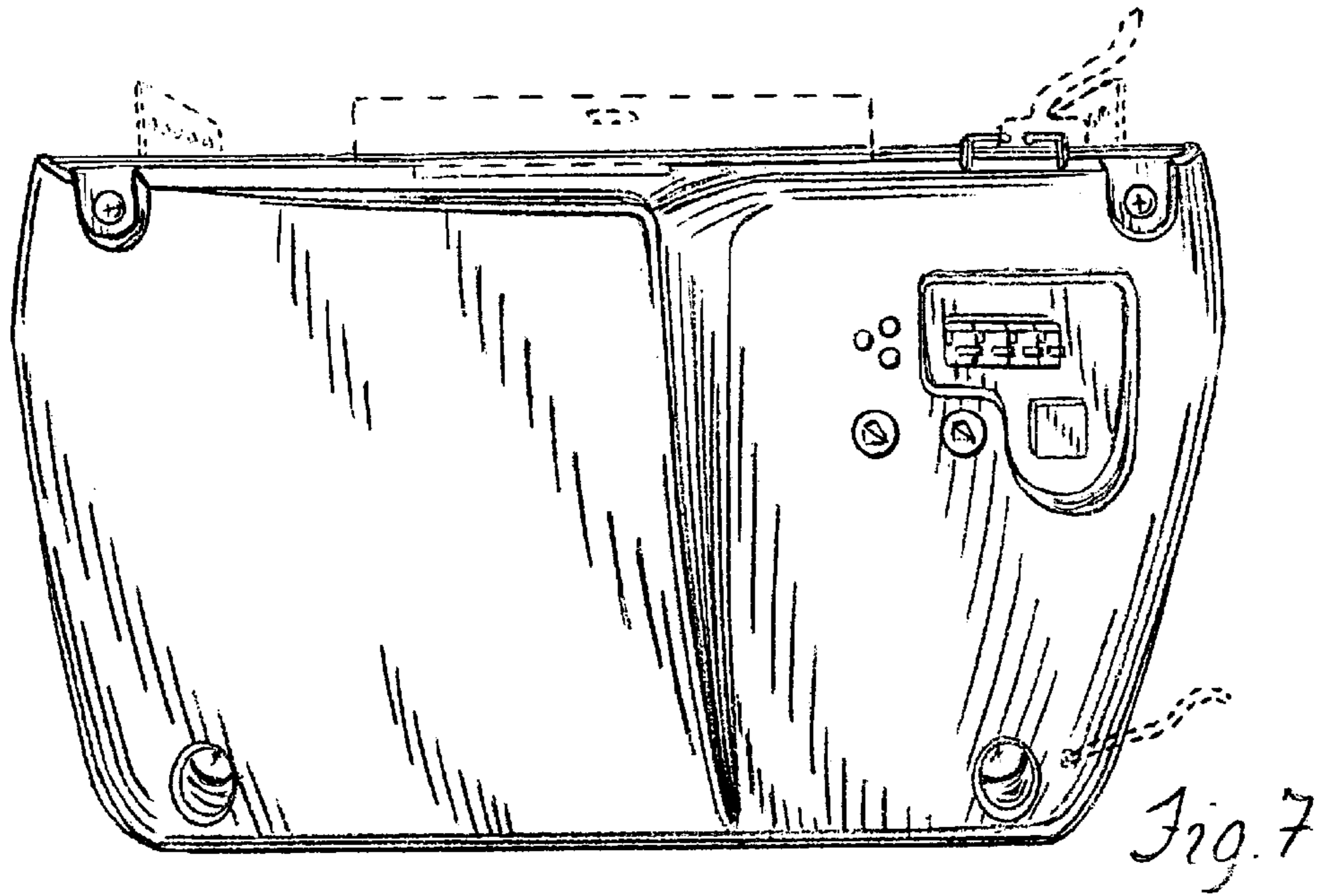


Fig. 6



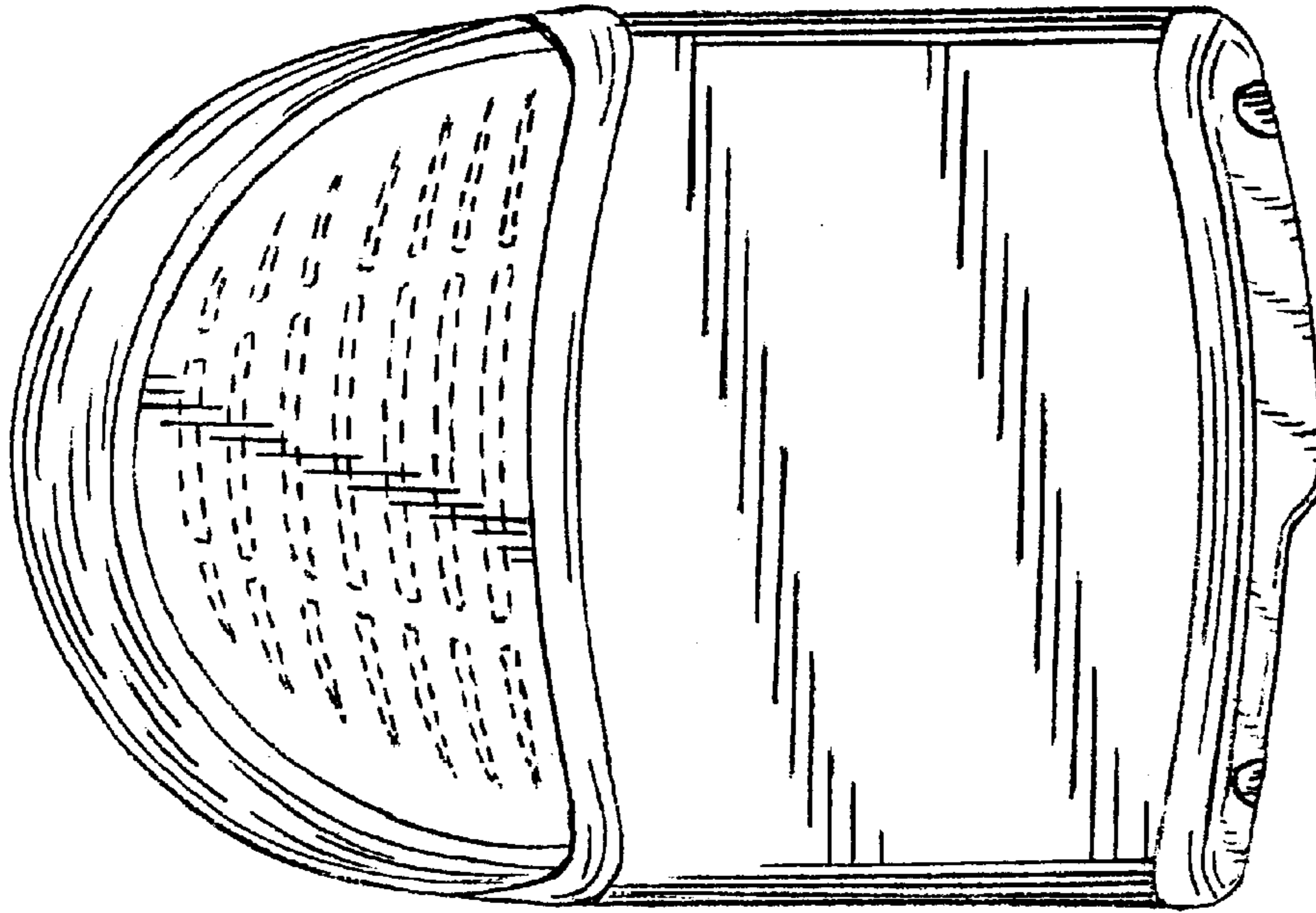


Fig. 9

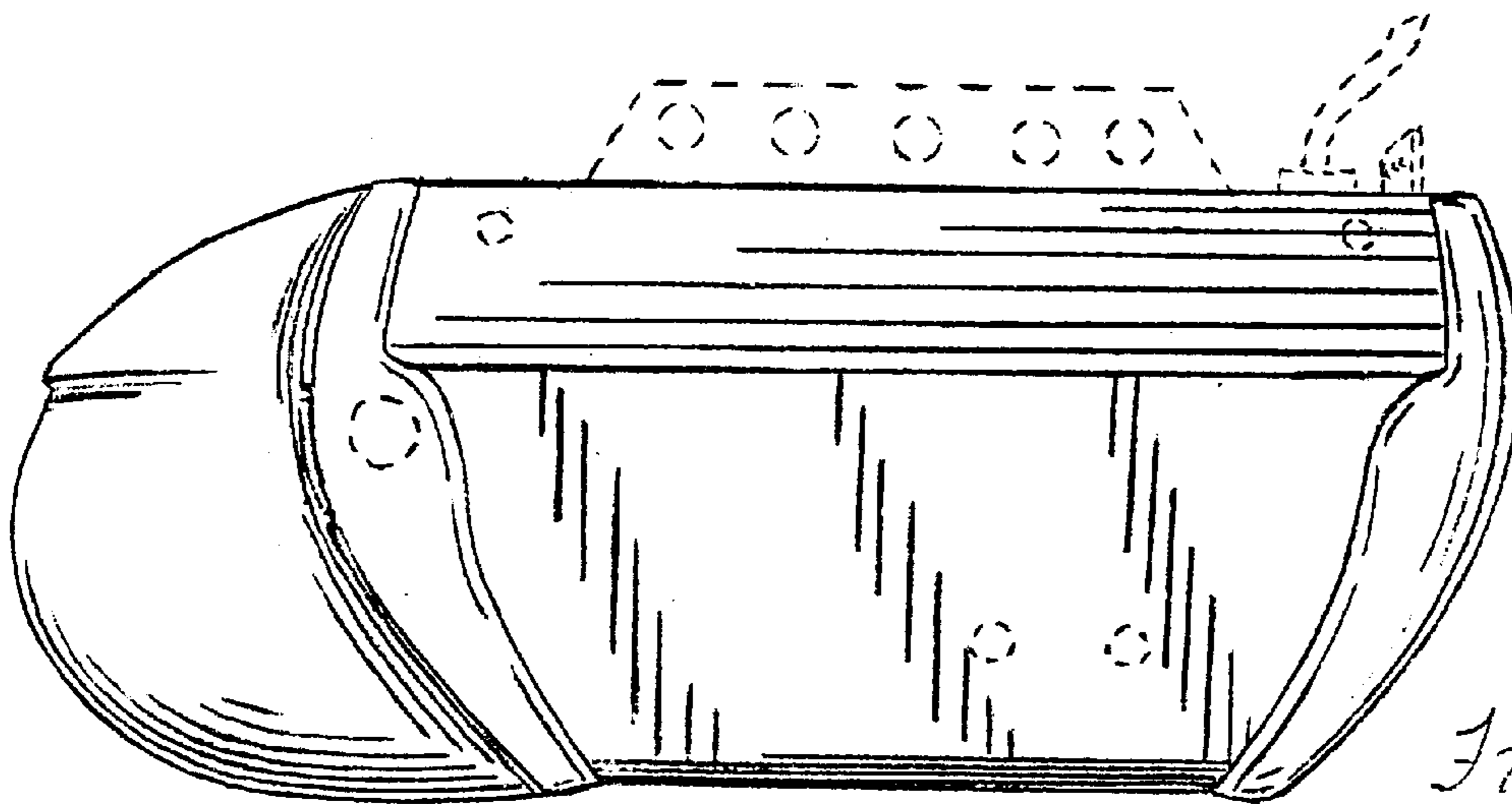


Fig. 10

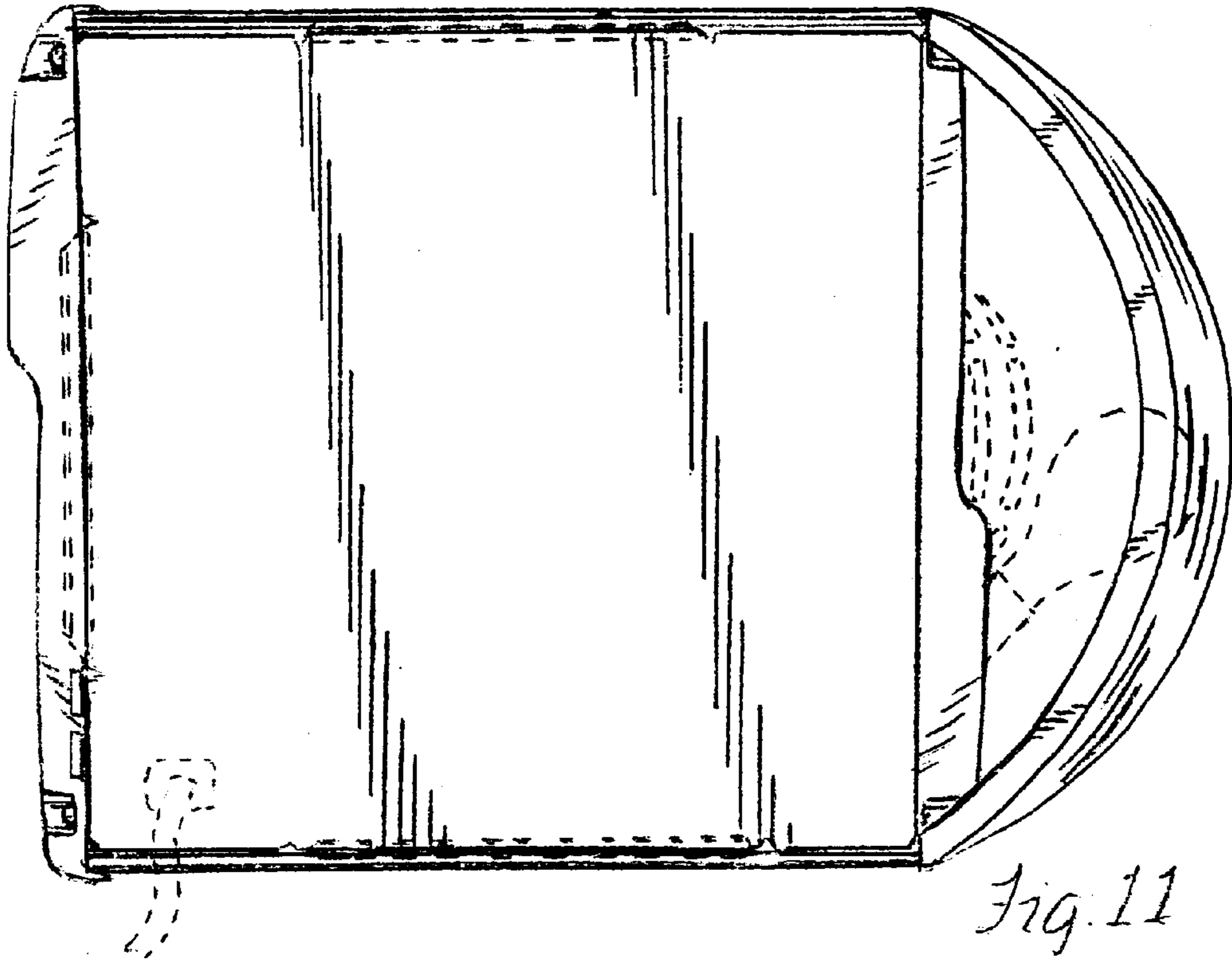


Fig. 11

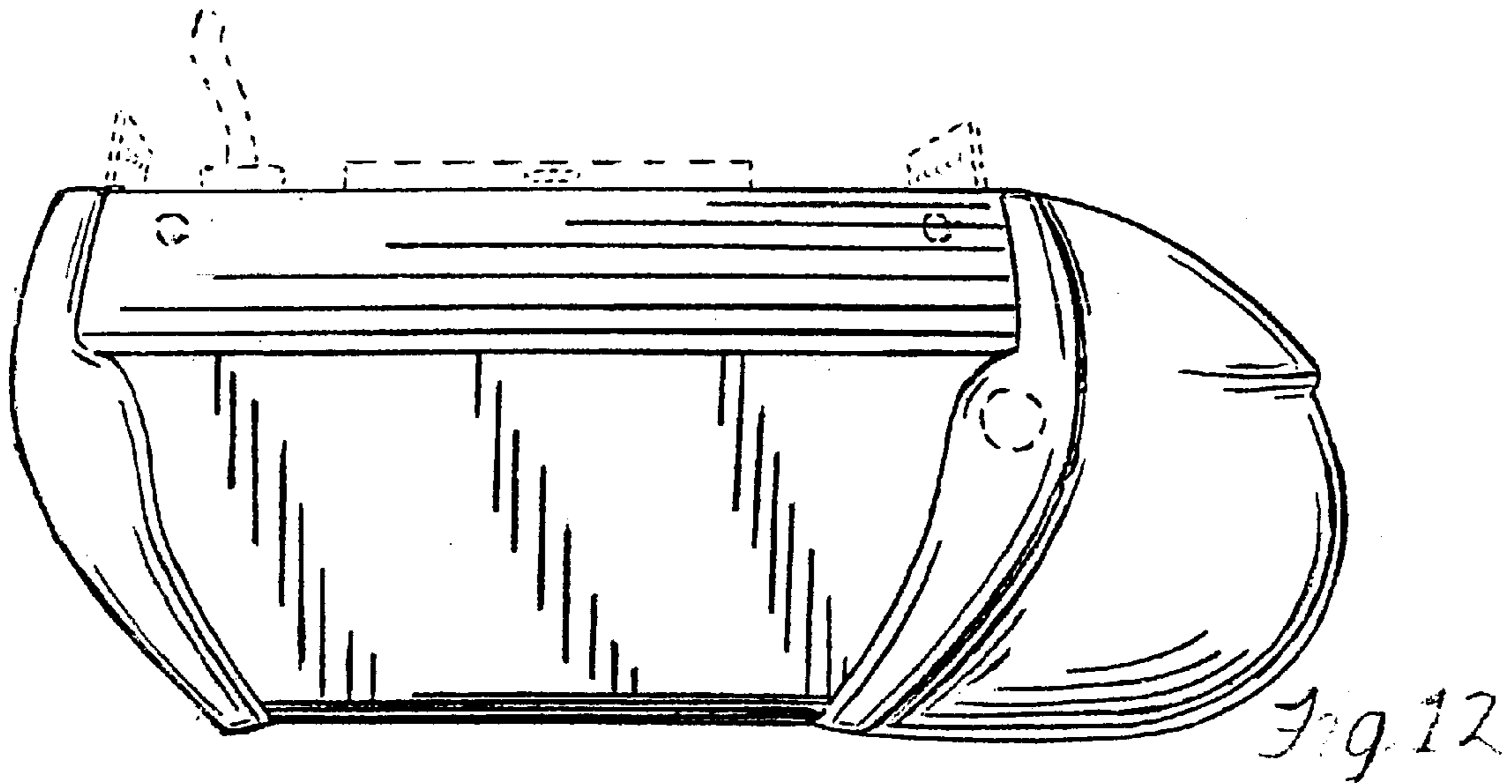


Fig. 12

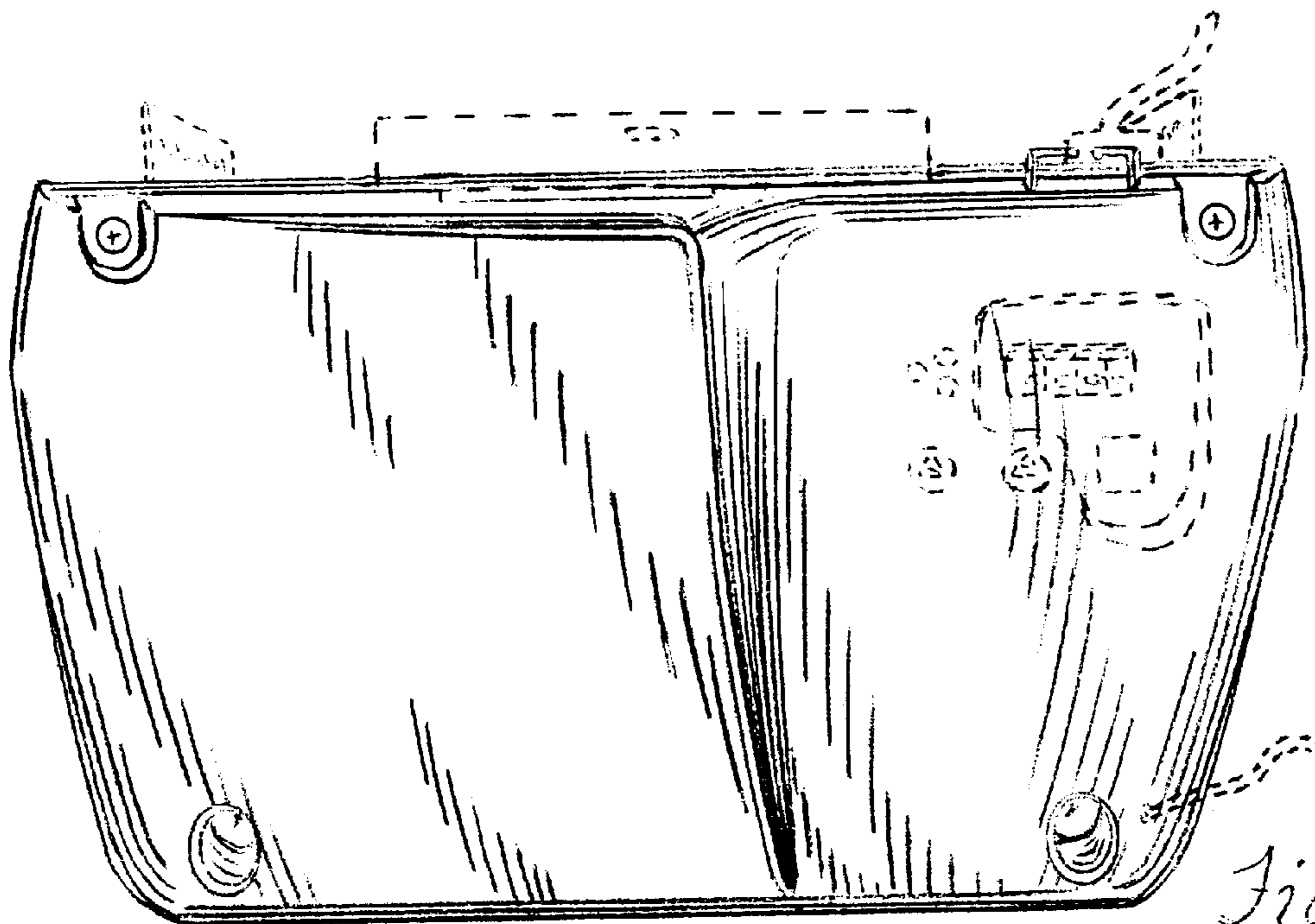


Fig. 13