



US00D477618S

(12) **United States Design Patent**
Arvidsson

(10) **Patent No.:** **US D477,618 S**

(45) **Date of Patent:** **** Jul. 22, 2003**

(54) **CUTTING INSERT**

D442,193 S * 5/2001 Isaksson D15/139

(75) Inventor: **Peder Arvidsson, Gävle (SE)**

* cited by examiner

(73) Assignee: **Sandvik Aktiebolag, Sandviken (SE)**

Primary Examiner—Antoine Duval Davis

(**) Term: **14 Years**

(74) *Attorney, Agent, or Firm*—Burns, Doane, Swecker & Mathis, L.L.P.

(21) Appl. No.: **29/167,692**

(57) **CLAIM**

(22) Filed: **Sep. 20, 2002**

The ornamental design for a cutting insert, as shown and described.

(30) **Foreign Application Priority Data**

DESCRIPTION

Mar. 21, 2002 (SE) 02-0517

(51) **LOC (7) Cl.** **15-09**

FIG. 1 is a top, side perspective view of a cutting insert showing my new design.

(52) **U.S. Cl.** **D15/139**

FIG. 2 is a bottom, side perspective view thereof.

(58) **Field of Search** D15/139; 407/107-119

FIG. 3 is a top plan view thereof.

(56) **References Cited**

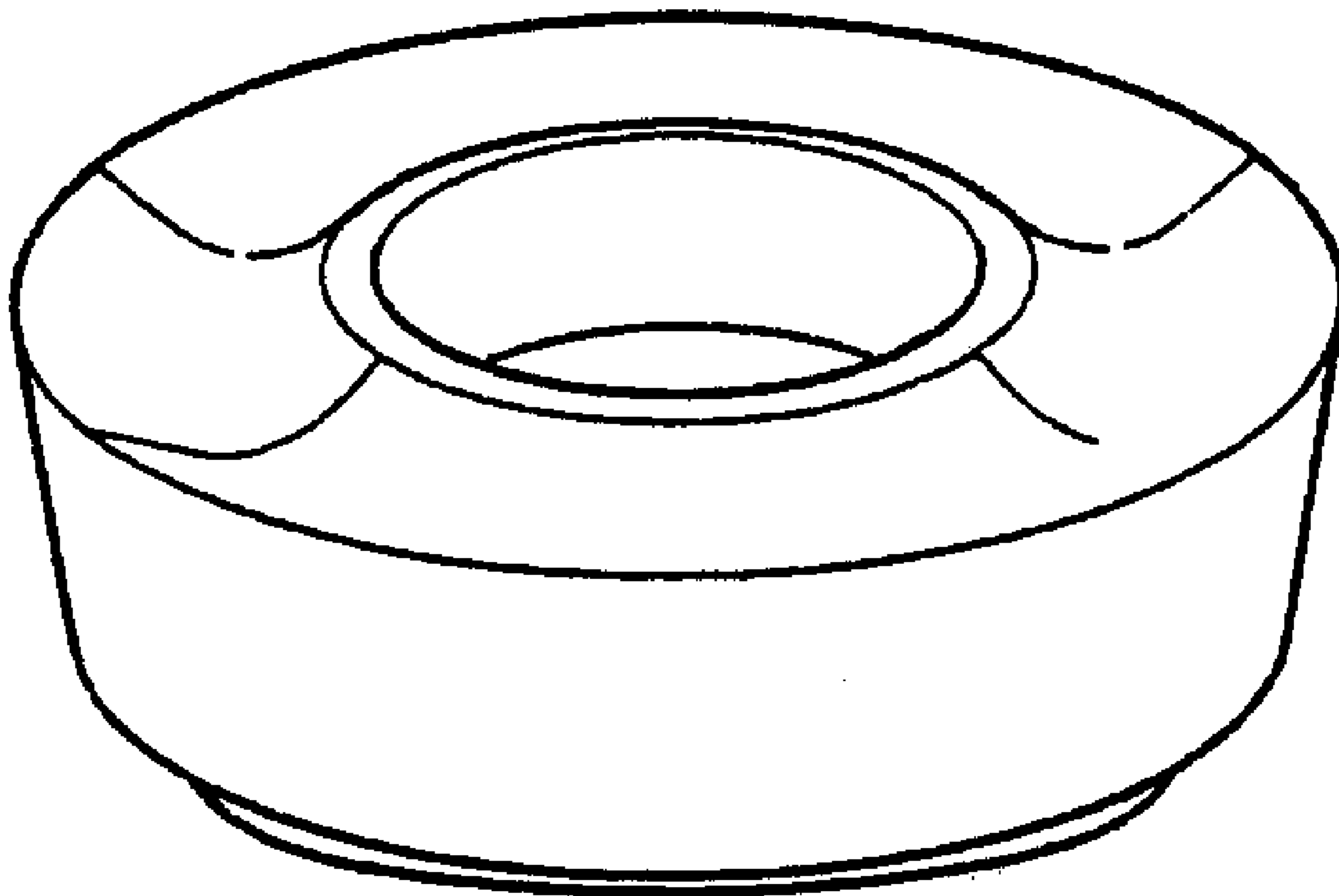
FIG. 4 is a bottom plan view thereof; and,

U.S. PATENT DOCUMENTS

FIG. 5 is a side elevational view thereof; the other sides being mirror images thereof.

6,004,079 A * 12/1999 Kislinger 407/111 X

1 Claim, 1 Drawing Sheet



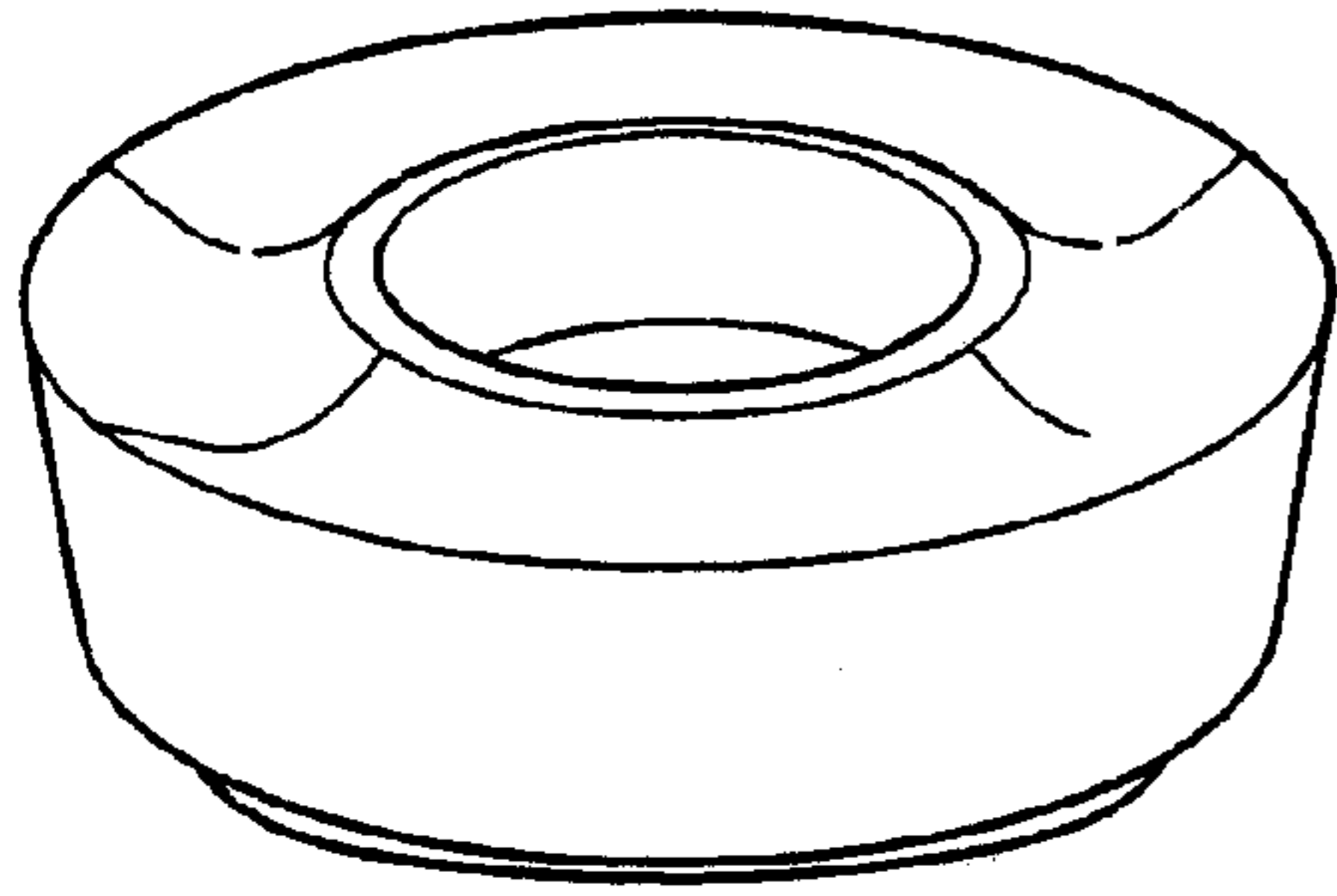


FIG. 1

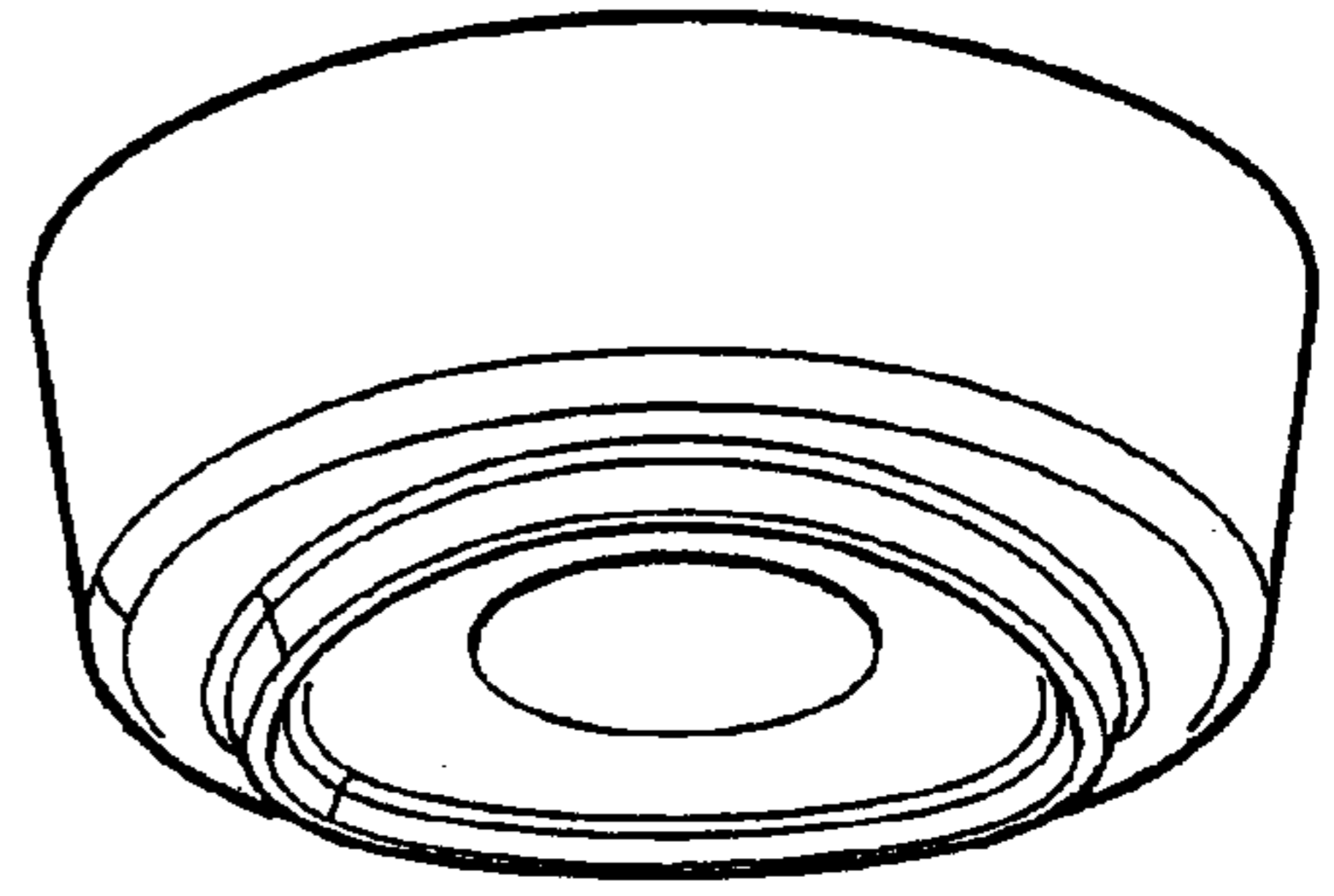


FIG. 2

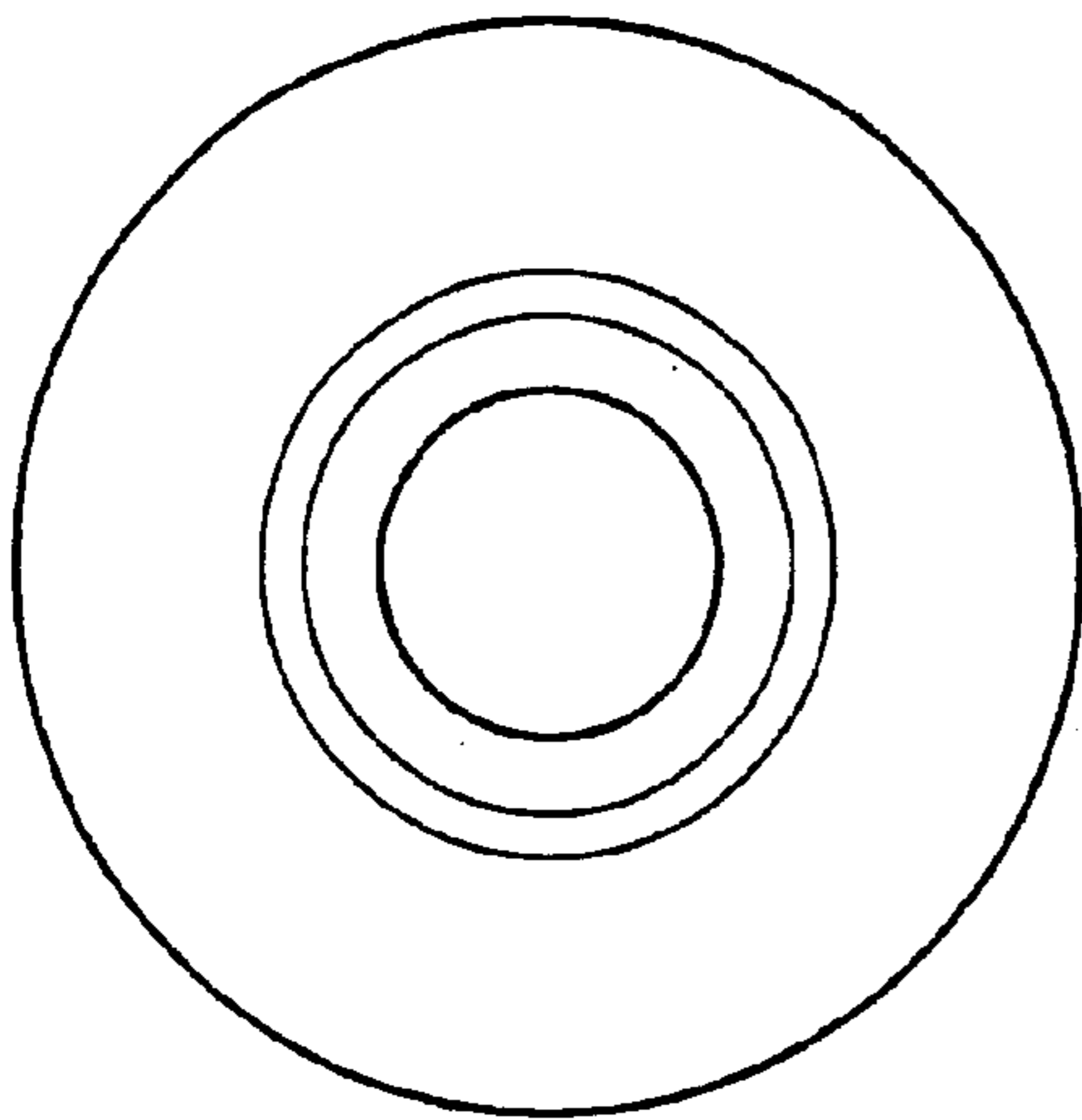


FIG. 3

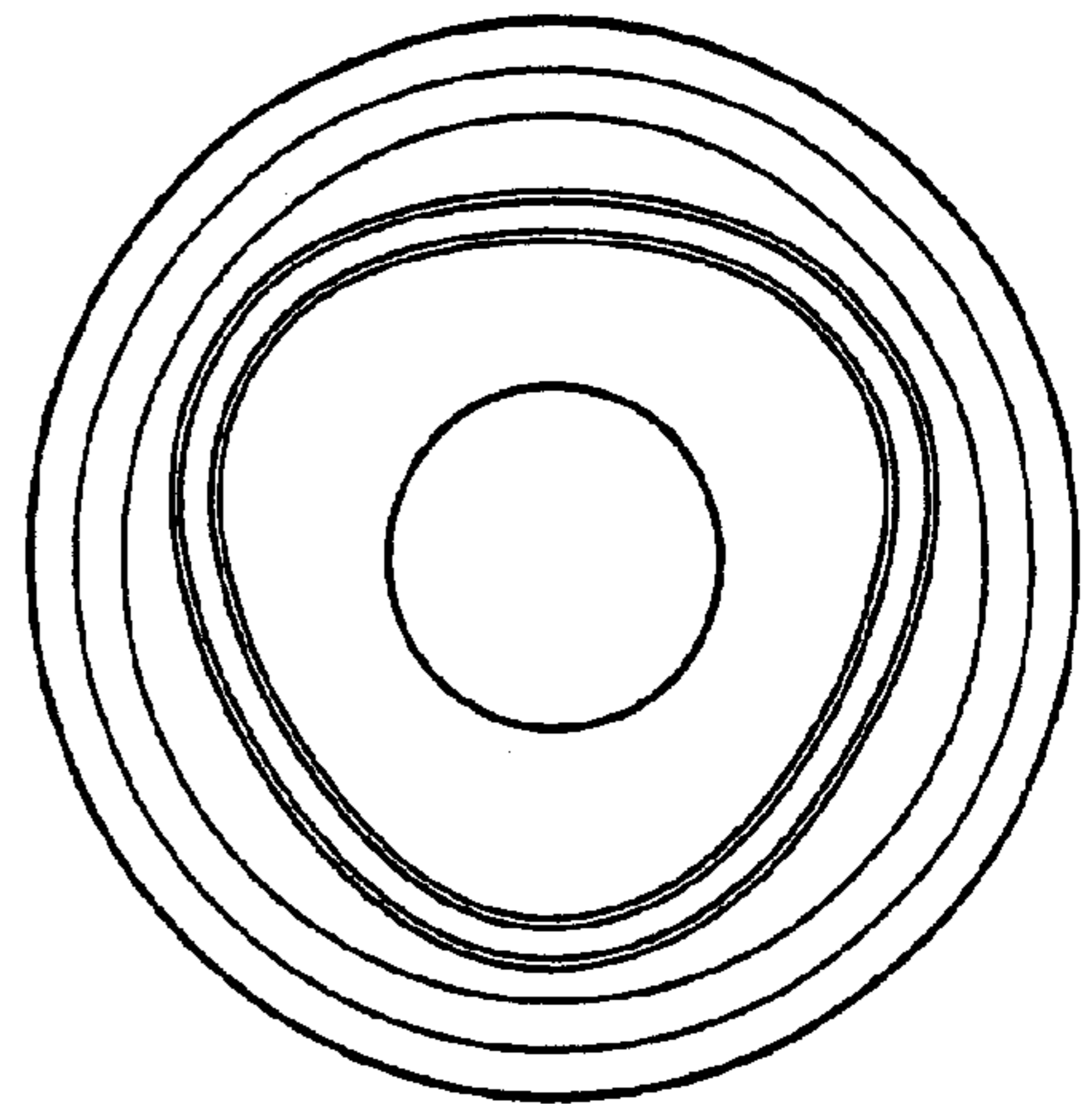


FIG. 4

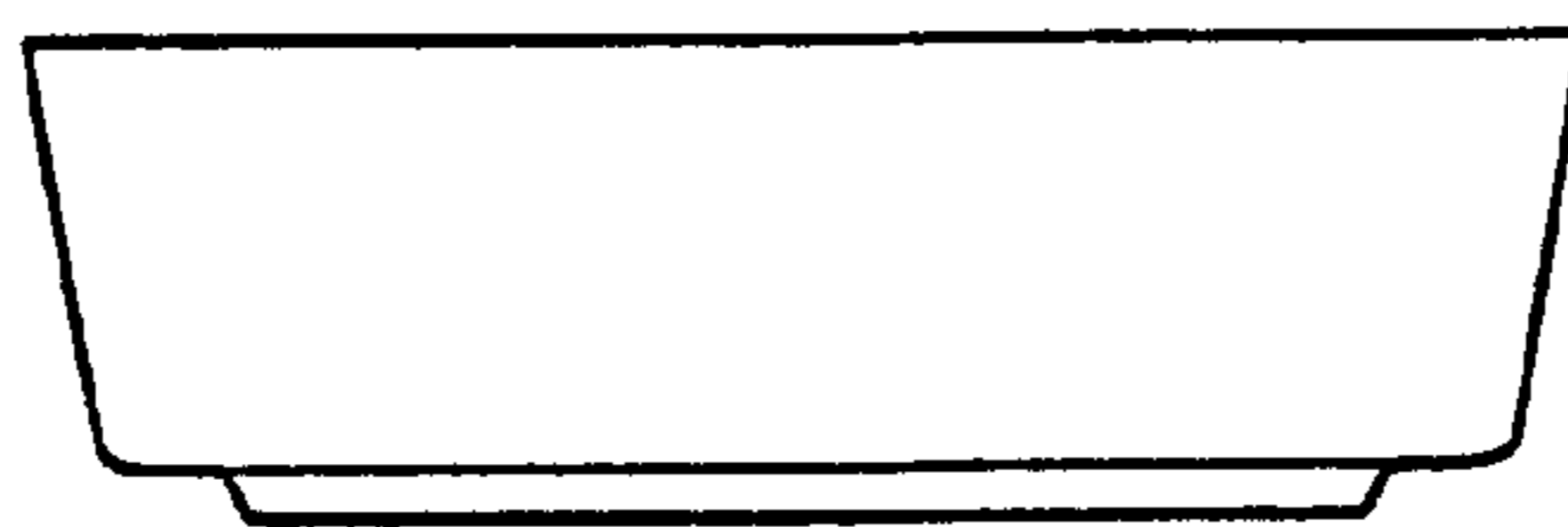


FIG. 5