



US00D477610S

(12) **United States Design Patent**
Matsumoto et al.

(10) **Patent No.:** **US D477,610 S**

(45) **Date of Patent:** **** Jul. 22, 2003**

(54) **BLADE FOR A BULLDOZER**

(75) Inventors: **Norihisa Matsumoto**, Hirakata (JP);
Masatake Tamaru, Hirakata (JP)

(73) Assignee: **Komatsu Ltd.**, Tokyo (JP)

(**) Term: **14 Years**

(21) Appl. No.: **29/172,199**

(22) Filed: **Dec. 9, 2002**

(51) **LOC (7) Cl.** **15-03**

(52) **U.S. Cl.** **D15/11**

(58) **Field of Search** D15/10, 11, 23,
D15/25, 28, 32; 37/219, 273, 276, 407,
266, 279; 254/131.4, 54.5, 59; 701/41,
50; 702/41; 180/6.7; 172/701.1, 4.5, 7,
2, 817, 826, 821

(56) **References Cited**

U.S. PATENT DOCUMENTS

4,215,496	A	*	8/1980	Wehr	37/407
4,803,790	A	*	2/1989	Ciula	37/266
5,408,765	A	*	4/1995	Lozensky	37/231
5,477,600	A	*	12/1995	Houle et al.	37/279
5,950,141	A	*	9/1999	Yamamoto et al.	702/41

* cited by examiner

Primary Examiner—Mitchell Siegel

(74) *Attorney, Agent, or Firm*—Kanesaka & Takeuchi

(57) **CLAIM**

The ornamental design for a blade for a bulldozer, as shown and described.

DESCRIPTION

FIG. 1 is a perspective view of a blade for a bulldozer showing our new design;

FIG. 2 is a front view thereof;

FIG. 3 is a rear view thereof;

FIG. 4 is a right view thereof, a left view being symmetrical to the right view;

FIG. 5 is a plan view thereof;

FIG. 6 is a bottom view thereof;

FIG. 7 is an enlarged sectional view taken along line 7—7 of FIG. 2;

FIG. 8 is a perspective view of a blade for a bulldozer showing our modified blade of new design;

FIG. 9 is a front view thereof;

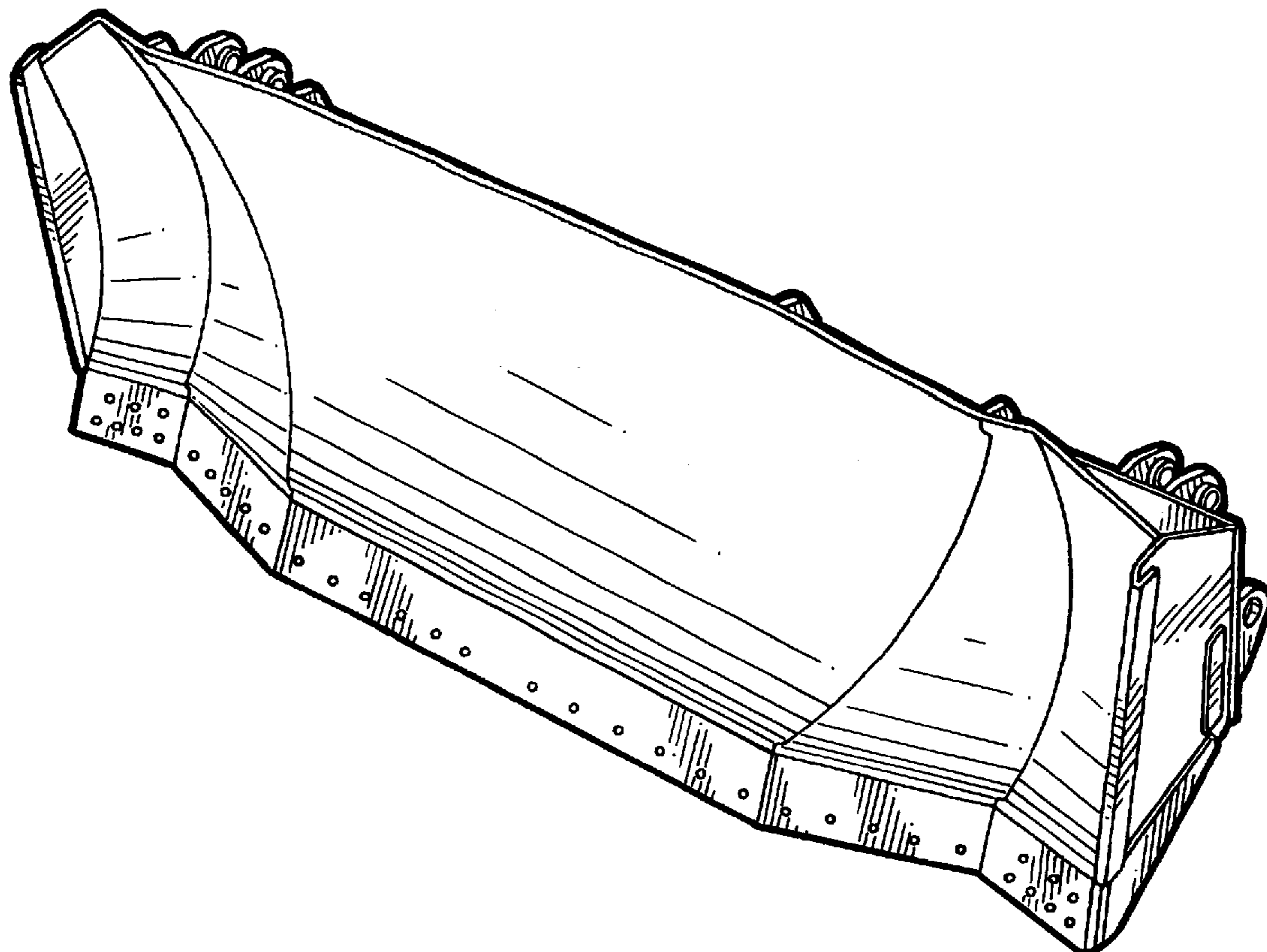
FIG. 10 is a rear view thereof;

FIG. 11 a right view thereof, a left view being symmetrical to the right view;

FIG. 12 is a plan view thereof; and,

FIG. 13 is a bottom view thereof.

1 Claim, 7 Drawing Sheets



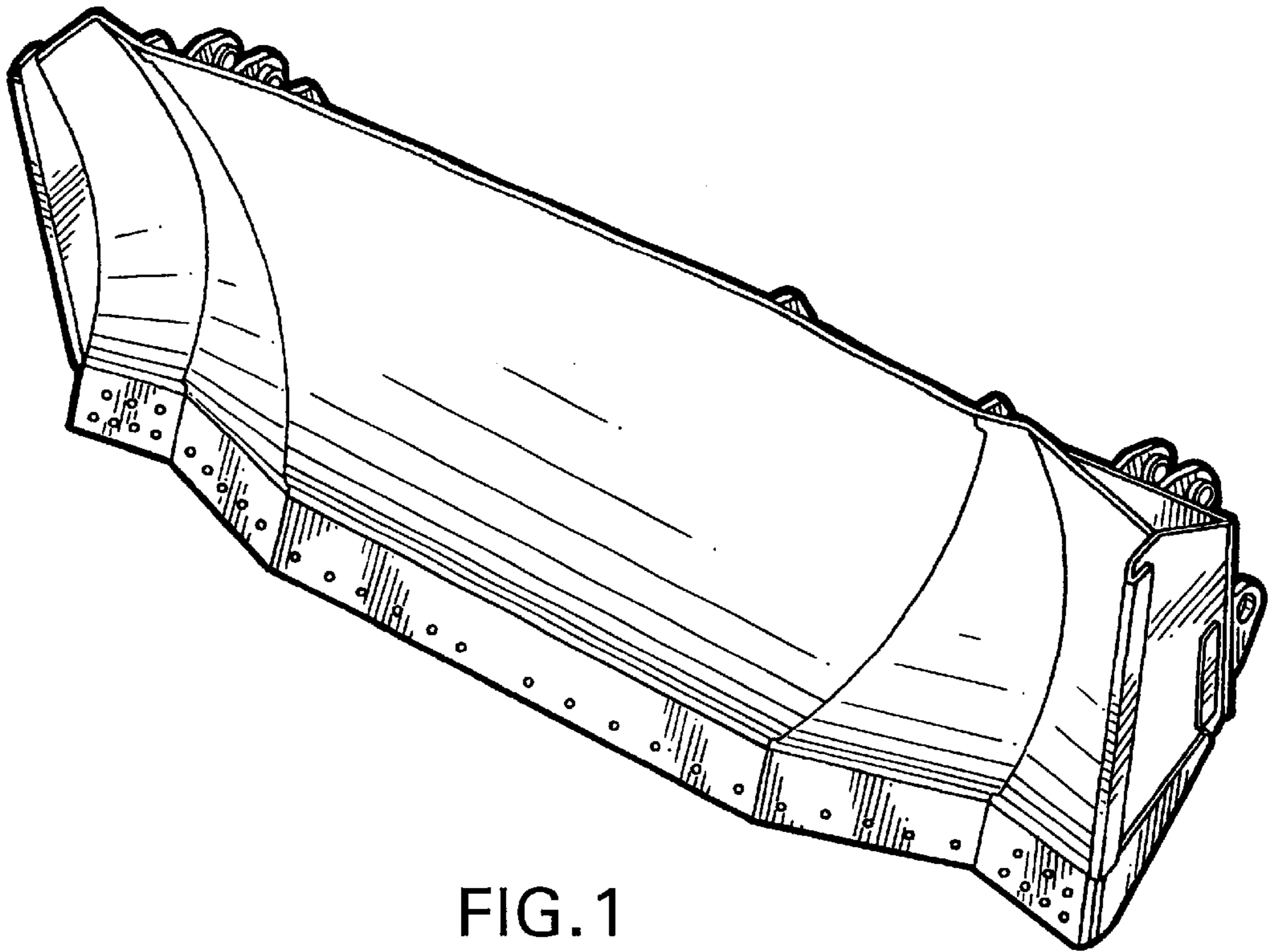


FIG. 1

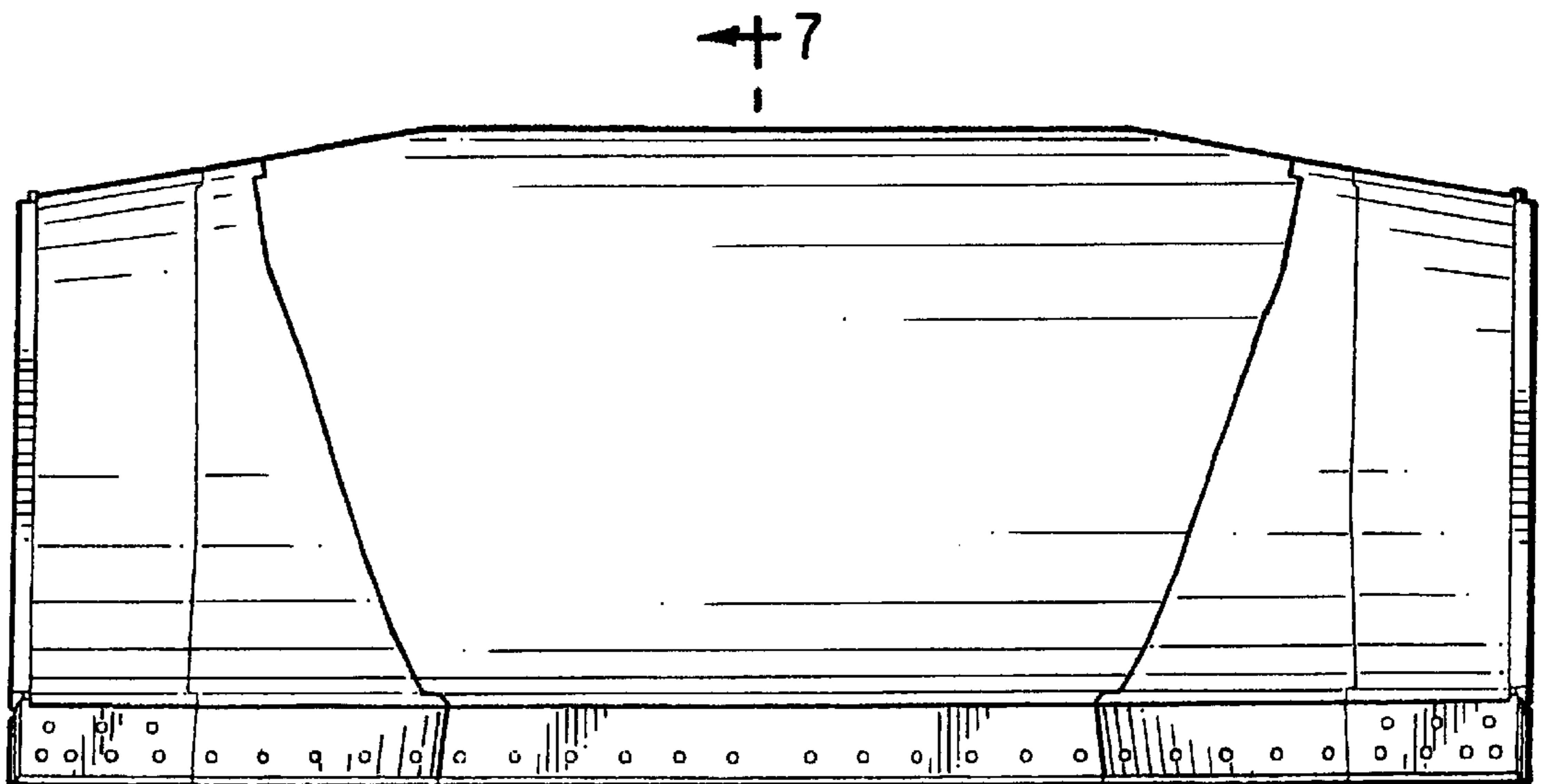


FIG. 2

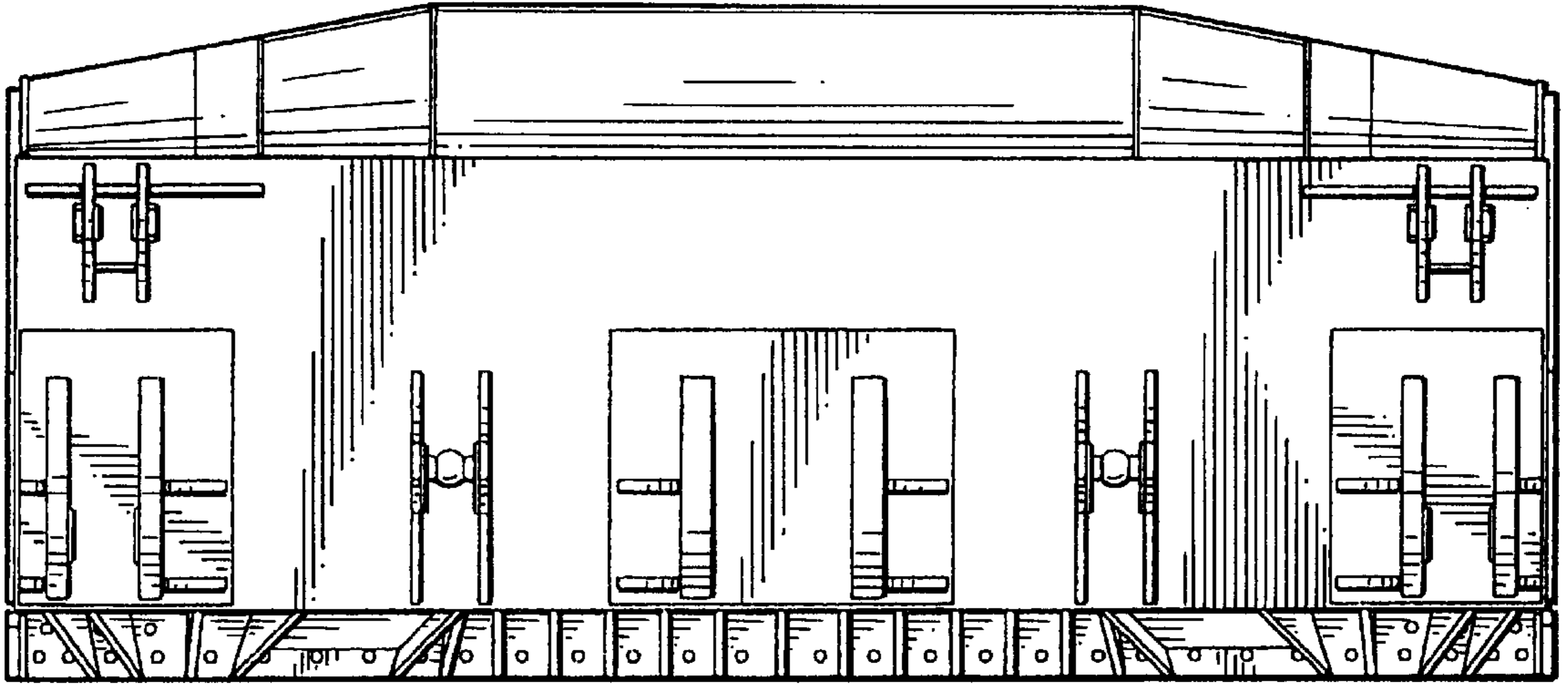


FIG. 3

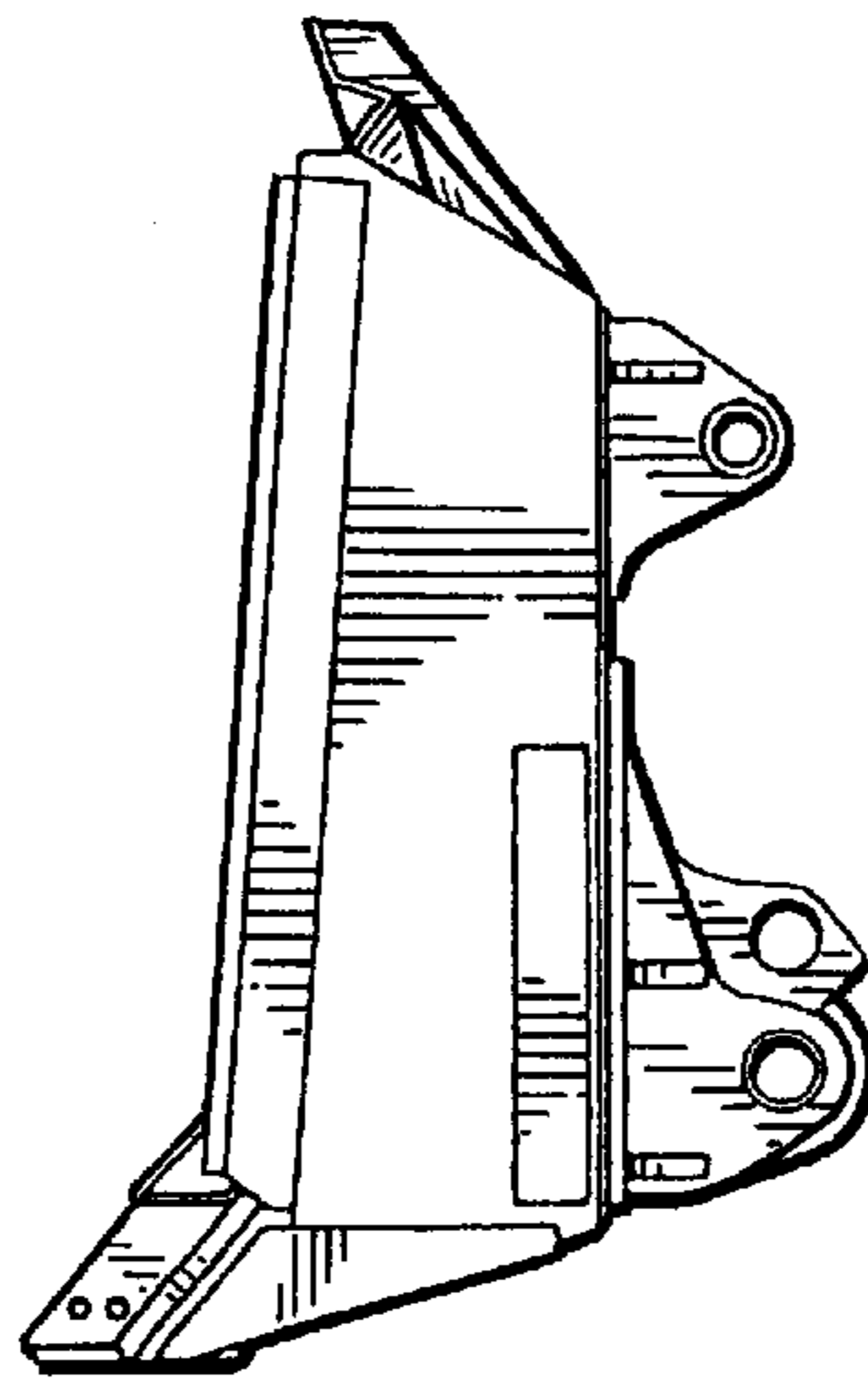


FIG. 4

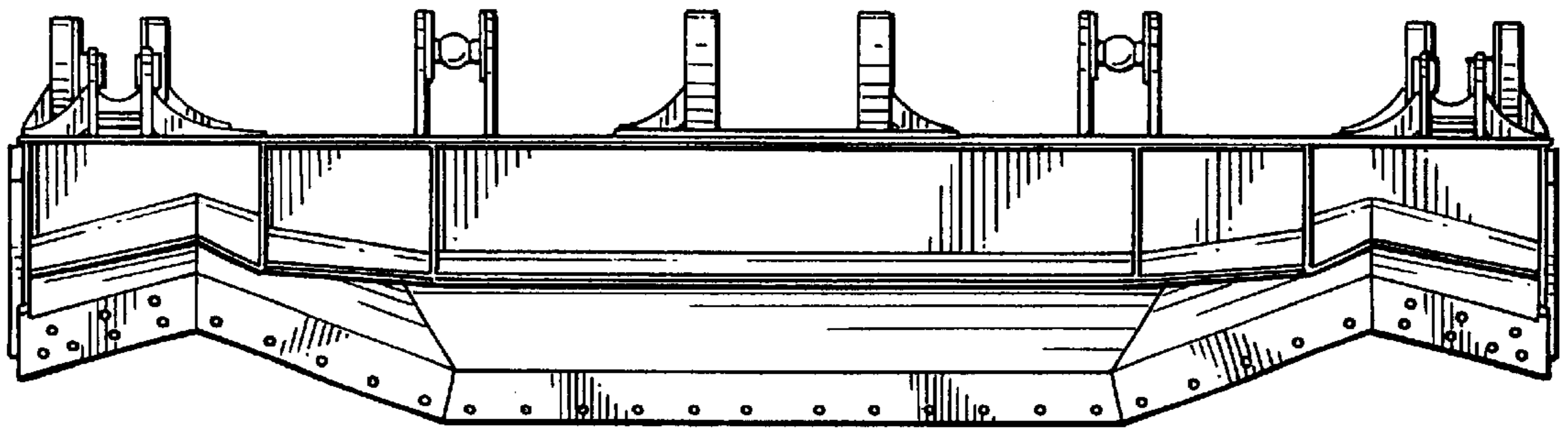


FIG. 5

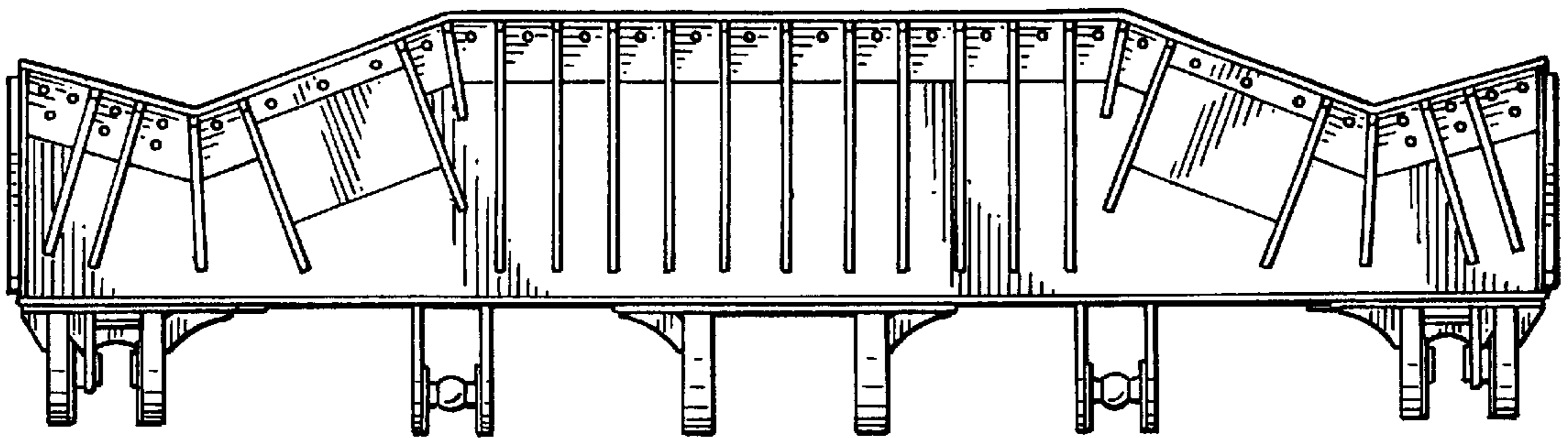


FIG. 6

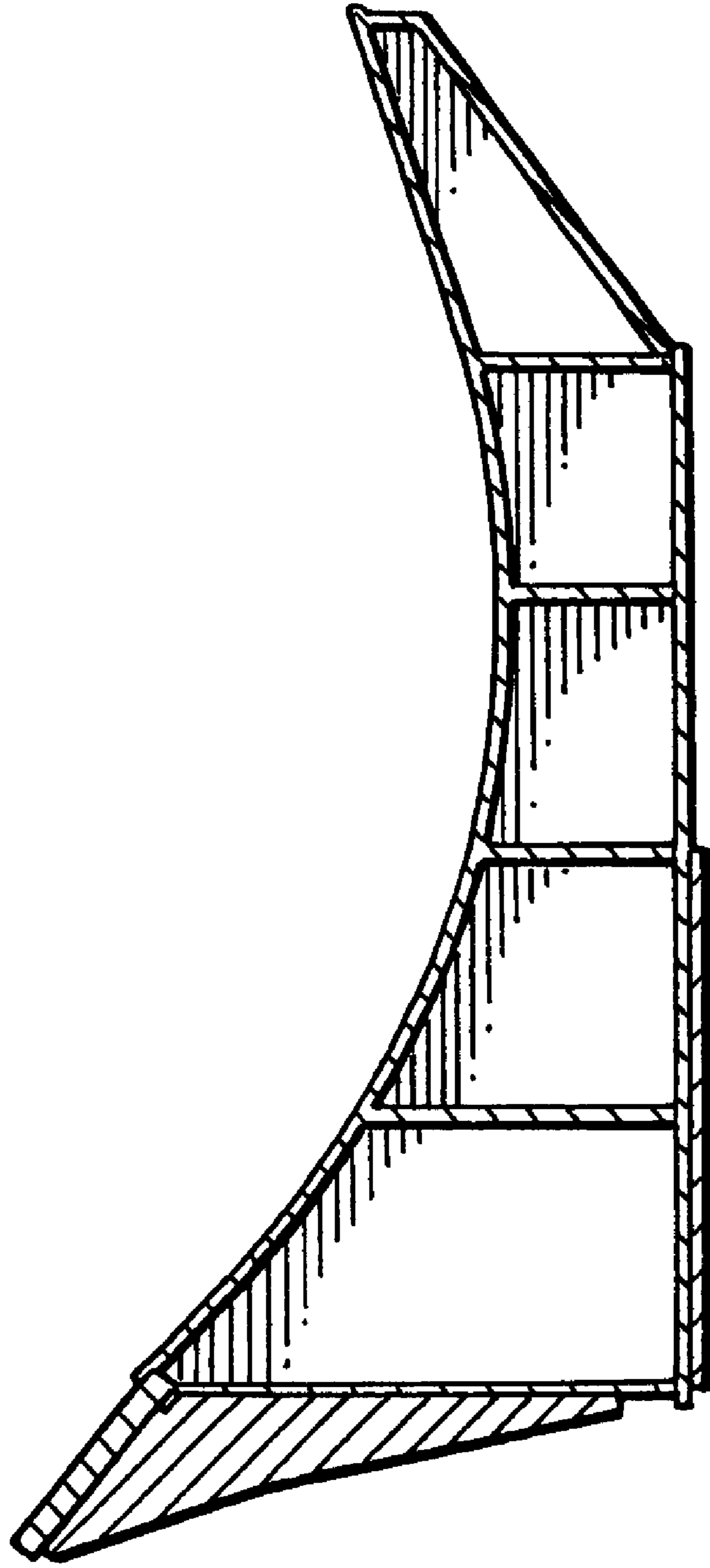


FIG. 7

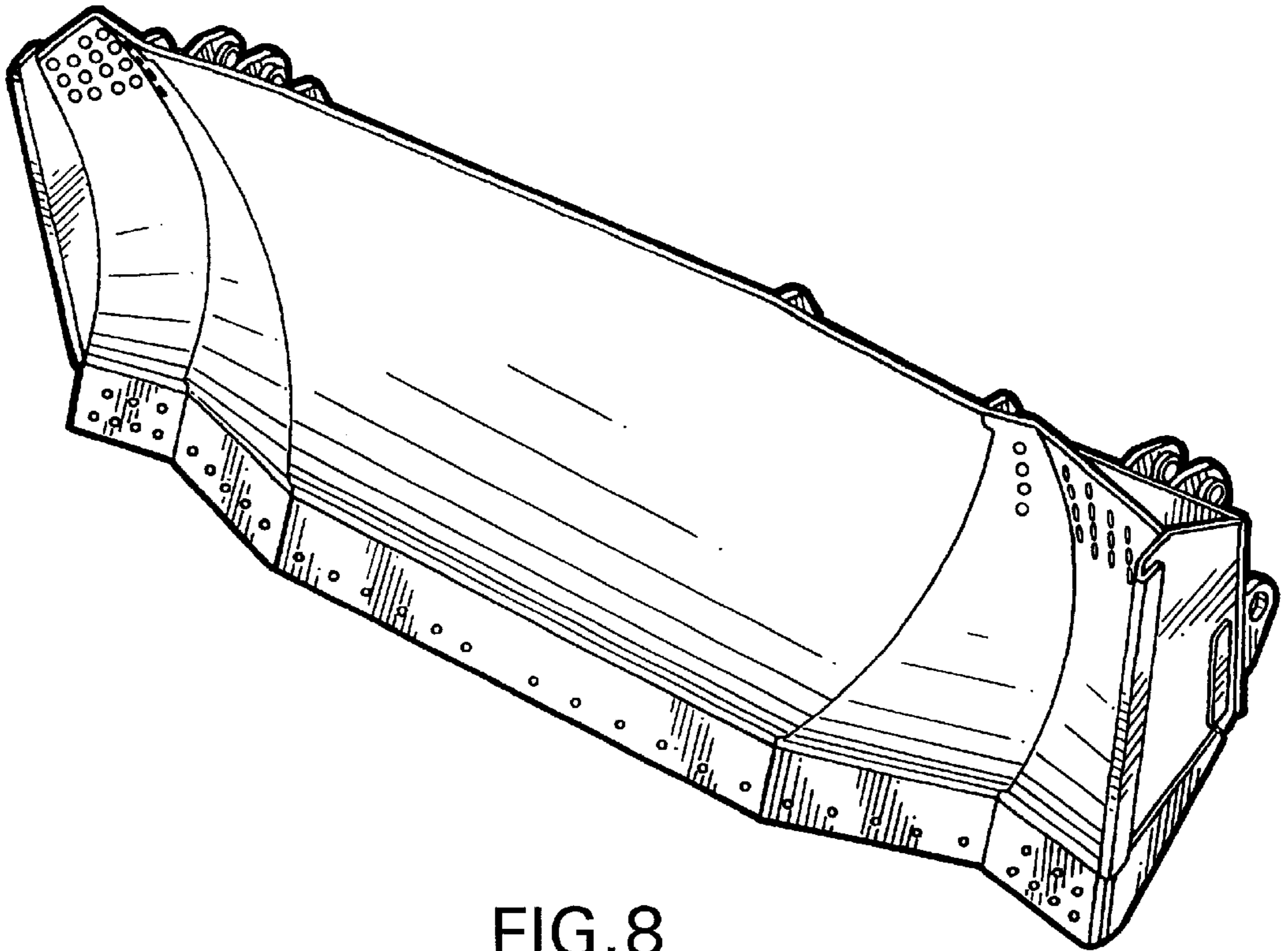


FIG. 8

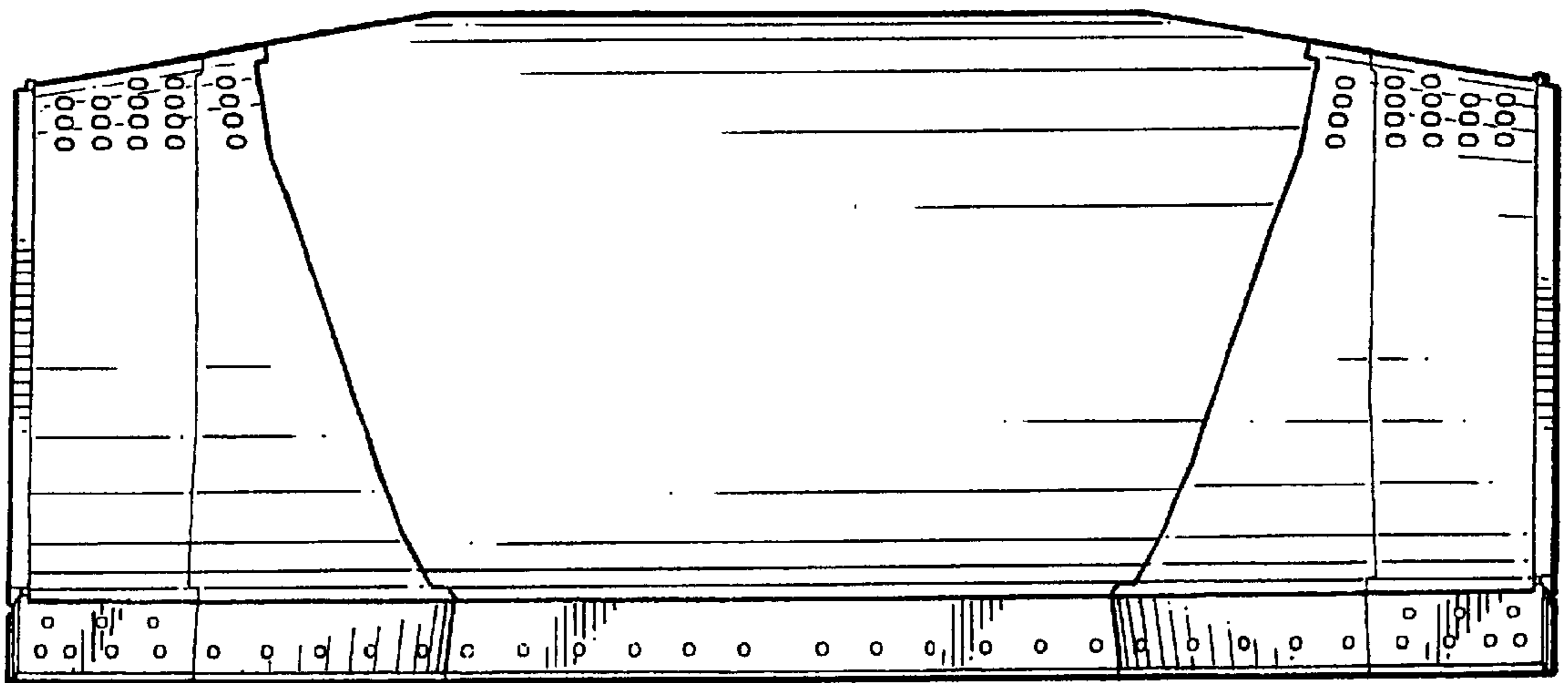


FIG. 9

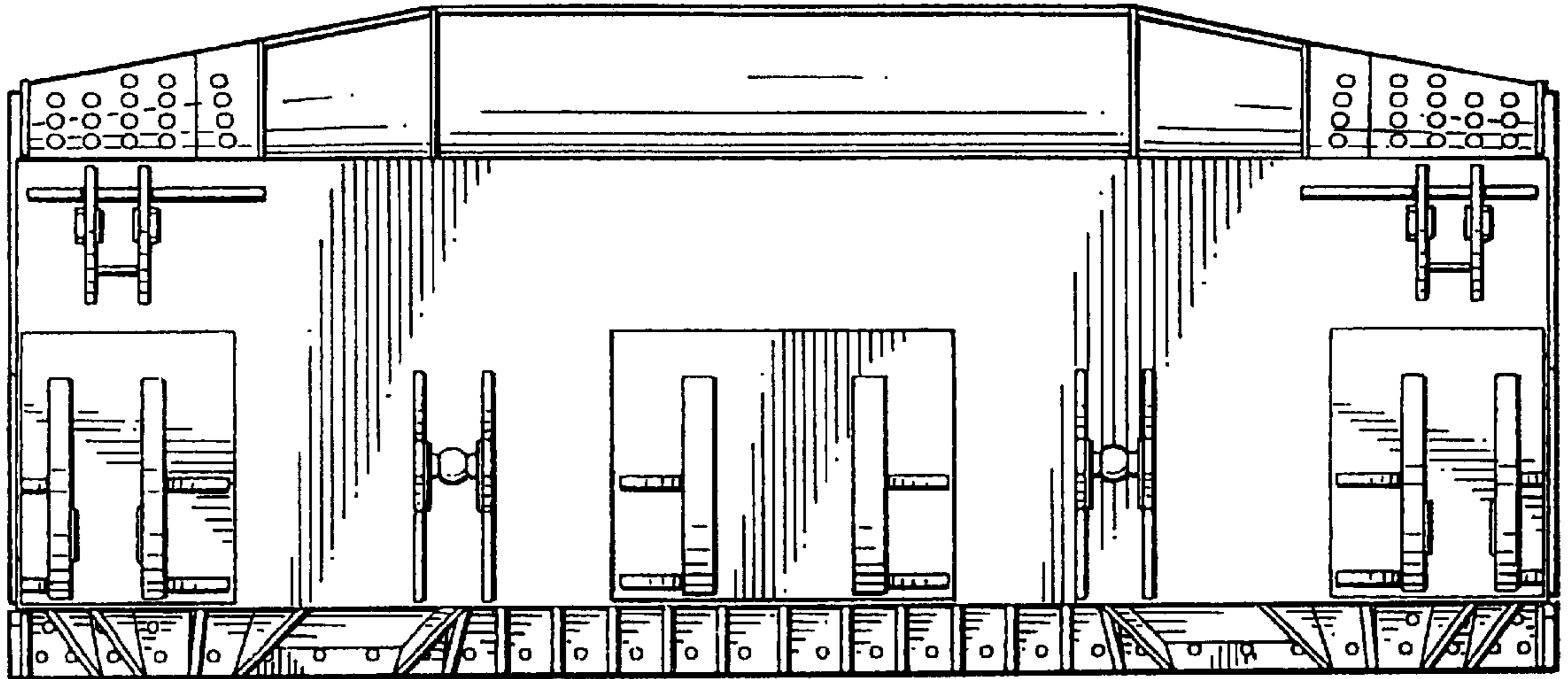


FIG. 10

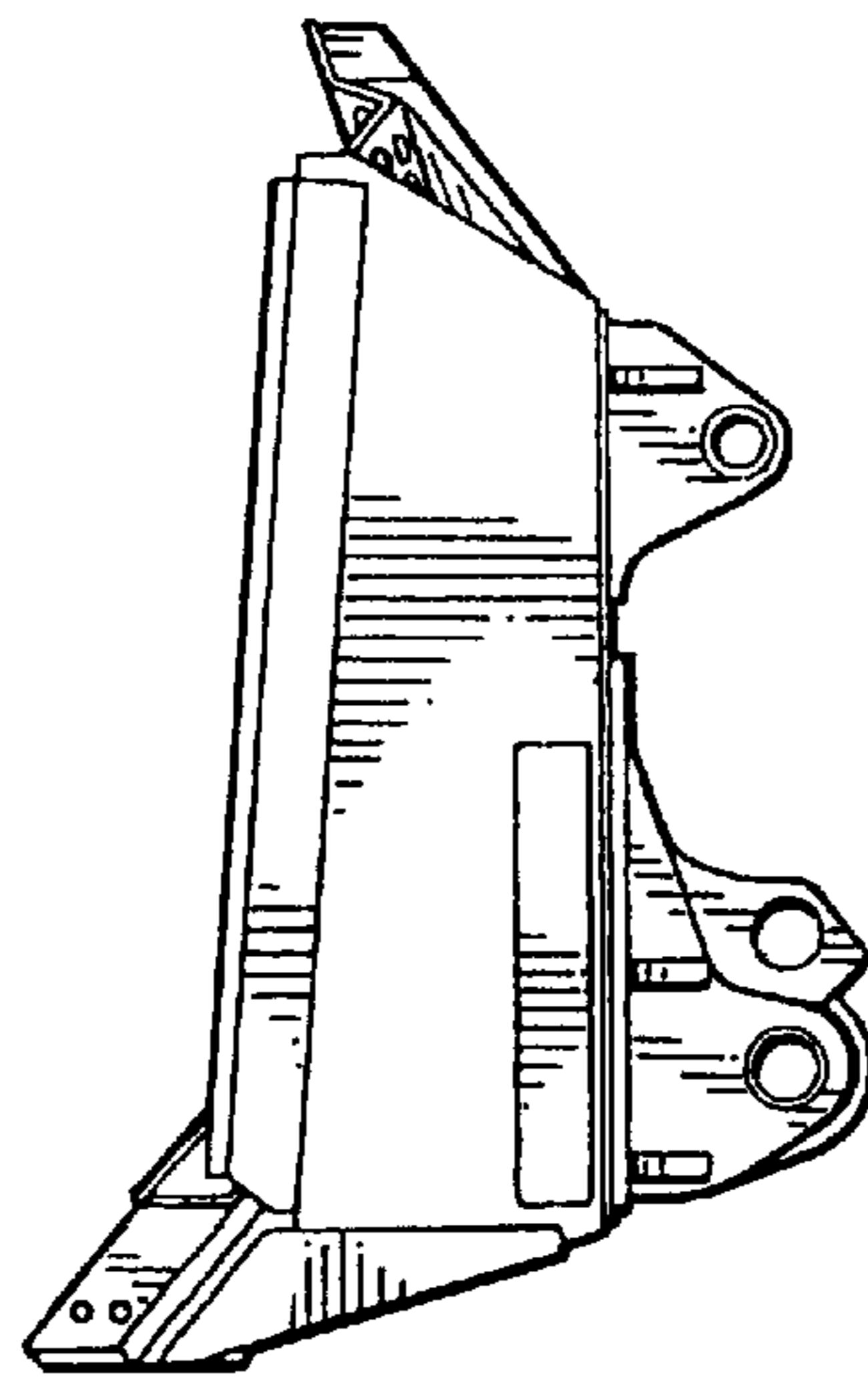


FIG. 11

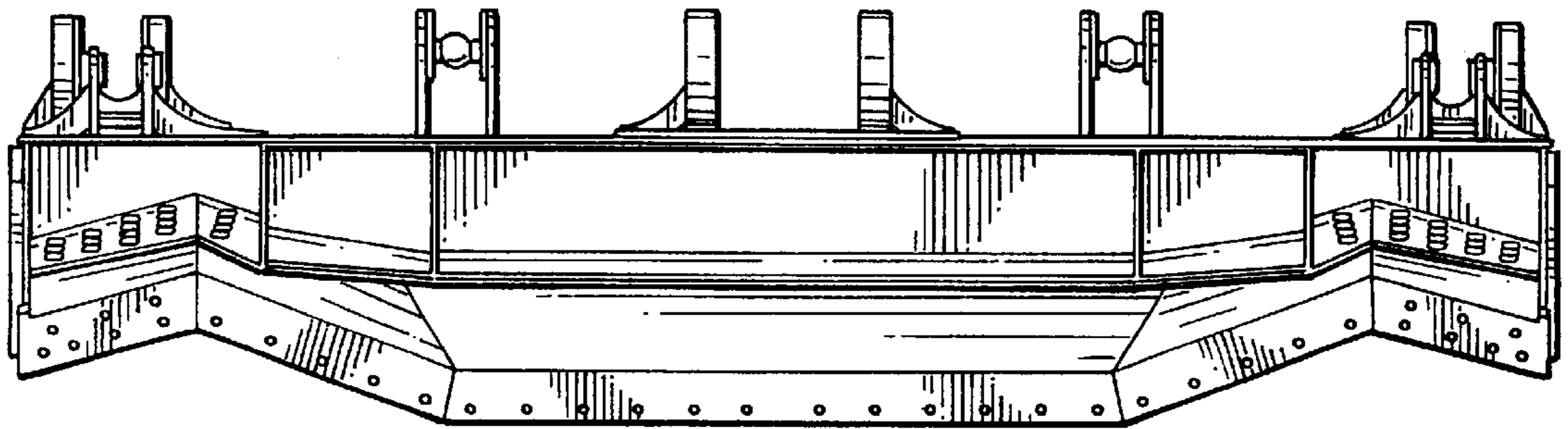


FIG. 12

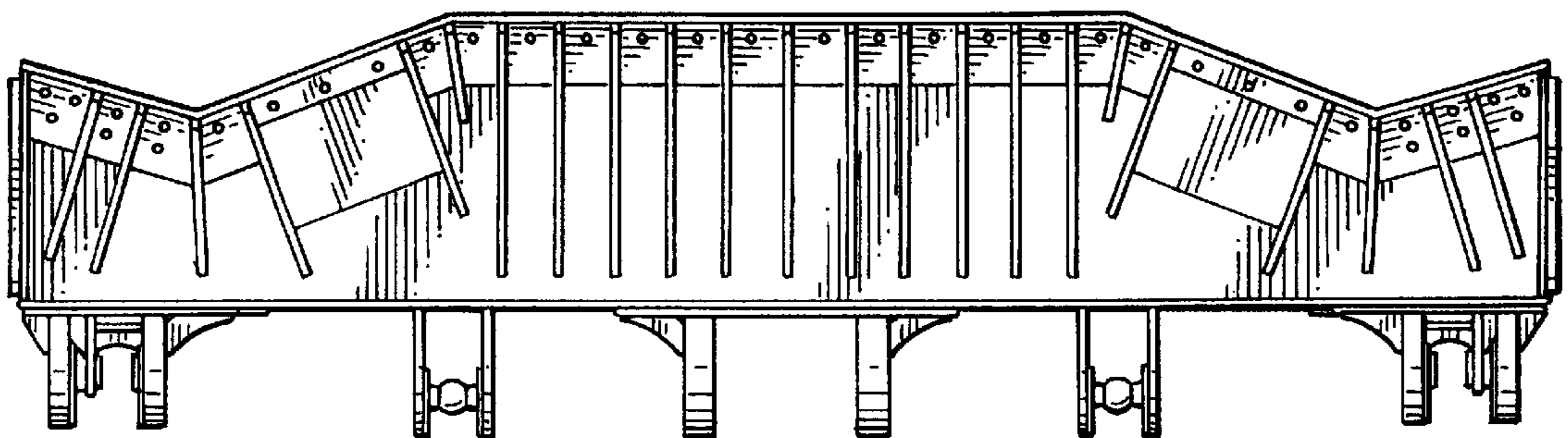


FIG. 13