



US00D477607S

(12) **United States Design Patent**
Nonomura

(10) **Patent No.:** **US D477,607 S**

(45) **Date of Patent:** **** Jul. 22, 2003**

(54) **TAPE SPOOL SUPPORT FOR TAPE CARTRIDGE**

(75) **Inventor:** **Yoshihito Nonomura, Gifu (JP)**

(73) **Assignee:** **Brother Industries, Ltd., Nagoya (JP)**

(**) **Term:** **14 Years**

(21) **Appl. No.:** **29/143,462**

(22) **Filed:** **Jun. 15, 2001**

(30) **Foreign Application Priority Data**

Dec. 20, 2000	(JP)	2000-036415
Dec. 20, 2000	(JP)	2000-036416
Dec. 20, 2000	(JP)	2000-036417
Dec. 20, 2000	(JP)	2000-036418
Dec. 20, 2000	(JP)	2000-036419
Dec. 20, 2000	(JP)	2000-036420
Dec. 20, 2000	(JP)	2000-036421

(51) **LOC (7) Cl.** **14-99**

(52) **U.S. Cl.** **D14/483**

(58) **Field of Search** D14/474-484,
D14/496, 161, 164; 360/131, 137, 134,
132; 242/327, 335, 338, 348, 354, 358,
358.1, 343.2, 345.2, 347, 376, 377, 382,
382.6, 385, 899, DIG. 1, 118; 369/292

(56) **References Cited**

U.S. PATENT DOCUMENTS

3,685,767 A * 8/1972 Kakiuchi et al. 242/354

3,701,178 A	*	10/1972	Kuntz	242/358
3,897,027 A	*	7/1975	Bolick, Jr.	242/324
4,062,716 A	*	12/1977	Galantine et al.	242/DIG. 1
4,239,166 A	*	12/1980	Daitoku	242/354
D277,568 S	*	2/1985	Ogata et al.	D14/483
D282,357 S	*	1/1986	Gell	D14/475
4,610,555 A	*	9/1986	Di Luco	242/607.2
5,337,973 A	*	8/1994	Matsumoto et al.	242/347
D352,305 S	*	11/1994	Cooper	D14/475
5,645,242 A	*	7/1997	Kikuchi et al.	242/347
5,671,893 A	*	9/1997	Sasaki	242/347

* cited by examiner

Primary Examiner—Prabhakar Deshmukh

(74) *Attorney, Agent, or Firm*—Oliff & Berridge, PLC

(57) **CLAIM**

The ornamental design for a tape spool support for tape cartridge, as shown and described.

DESCRIPTION

FIG. 1 is a perspective view of a tape spool support for tape cartridge from one side;

FIG. 2 is a enlarged perspective view thereof;

FIG. 3 is a top view thereof;

FIG. 4 is a left side view thereof; and,

FIG. 5 is a right view thereof.

The broken lines define the bounds of the claimed design but form no part of the claimed design.

1 Claim, 3 Drawing Sheets

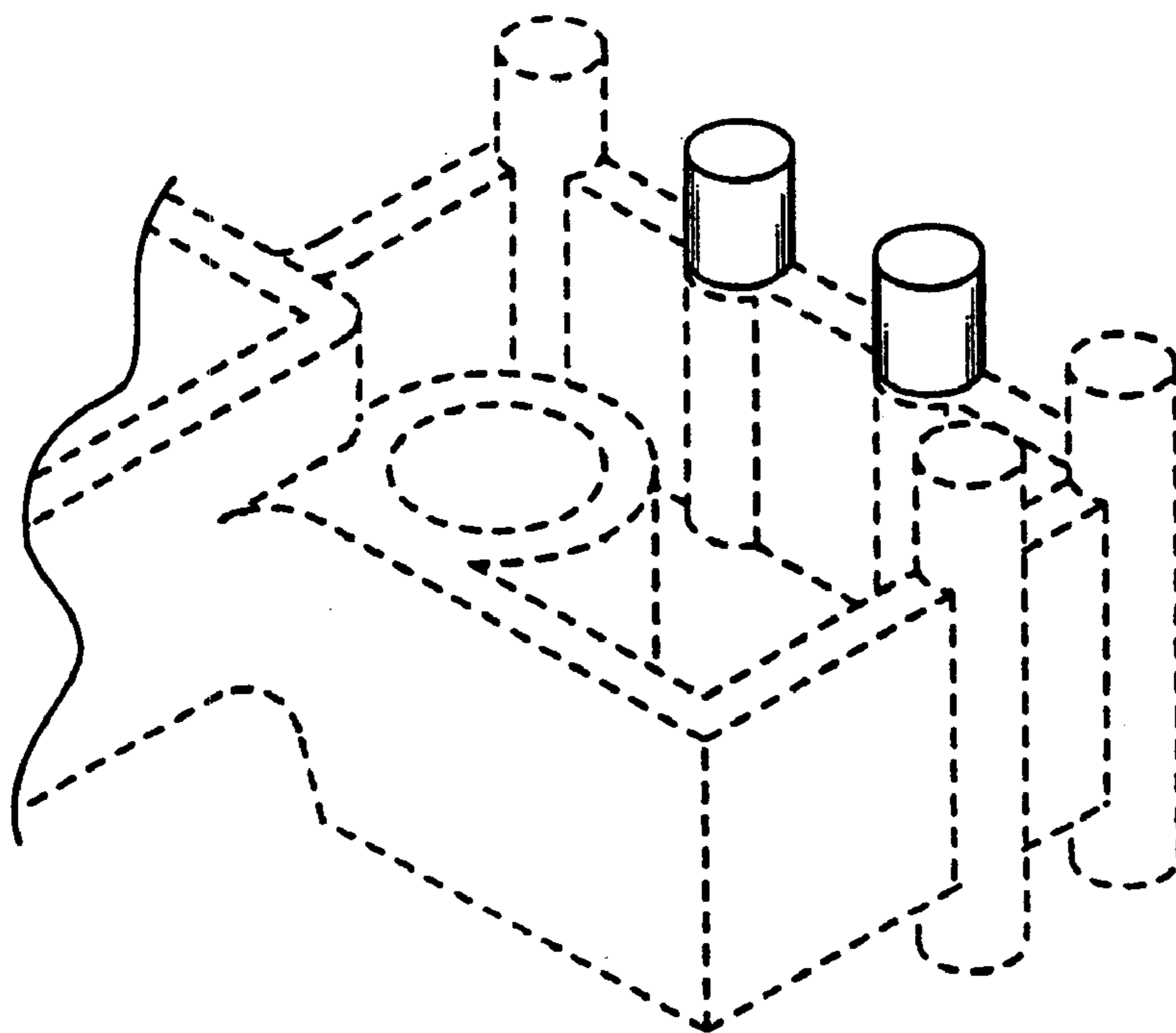


FIG.1

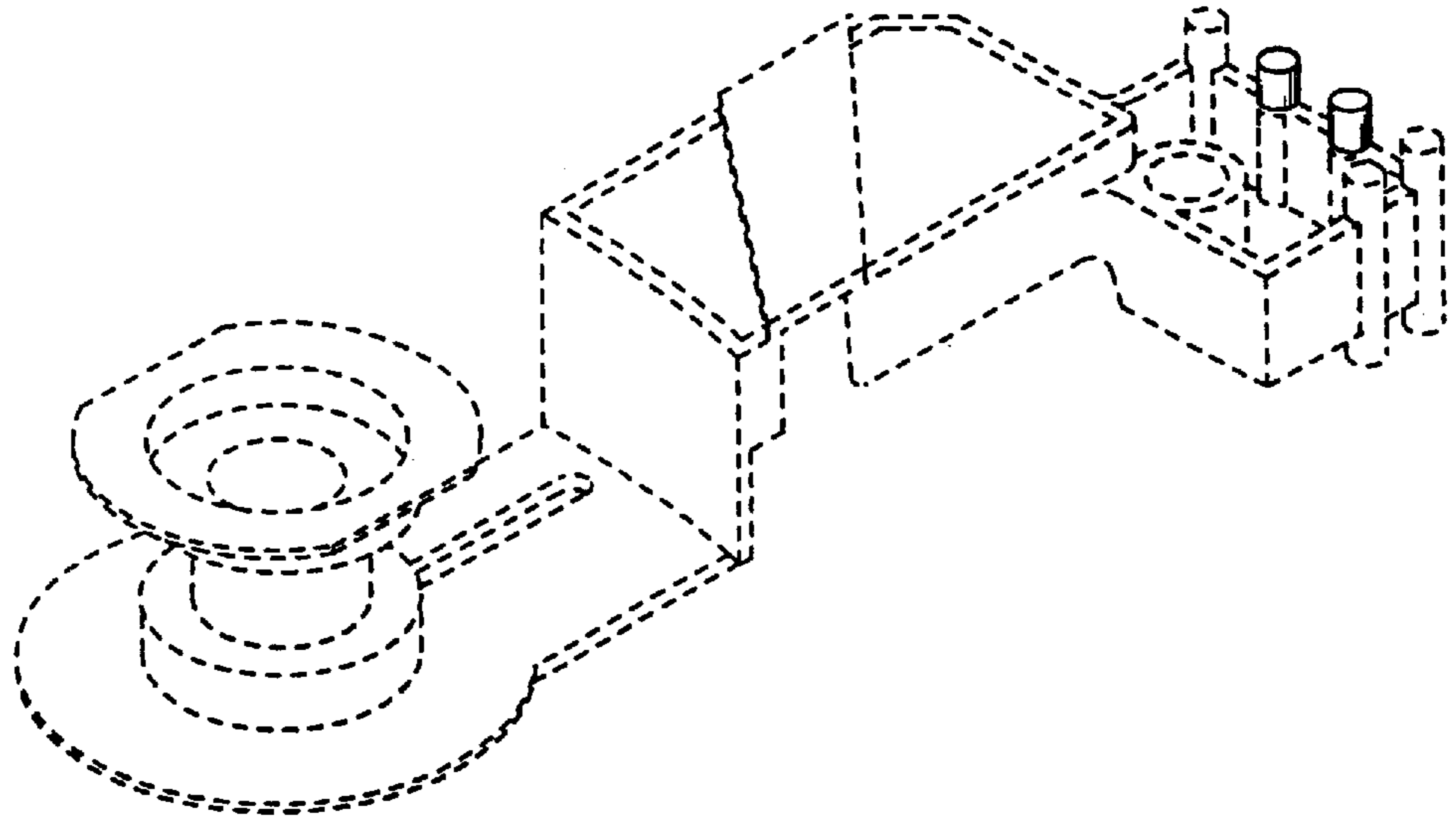


FIG.2

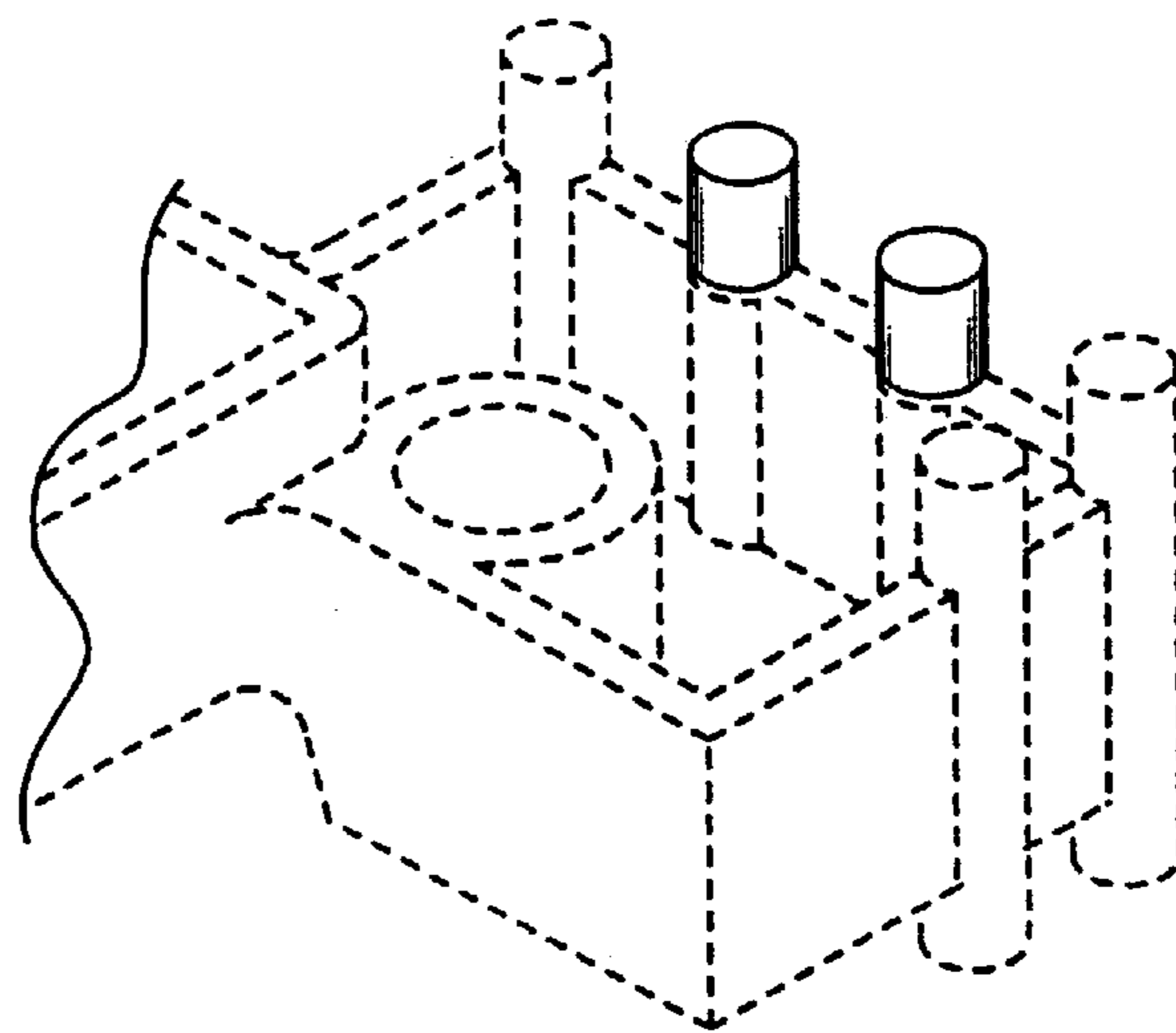


FIG. 3

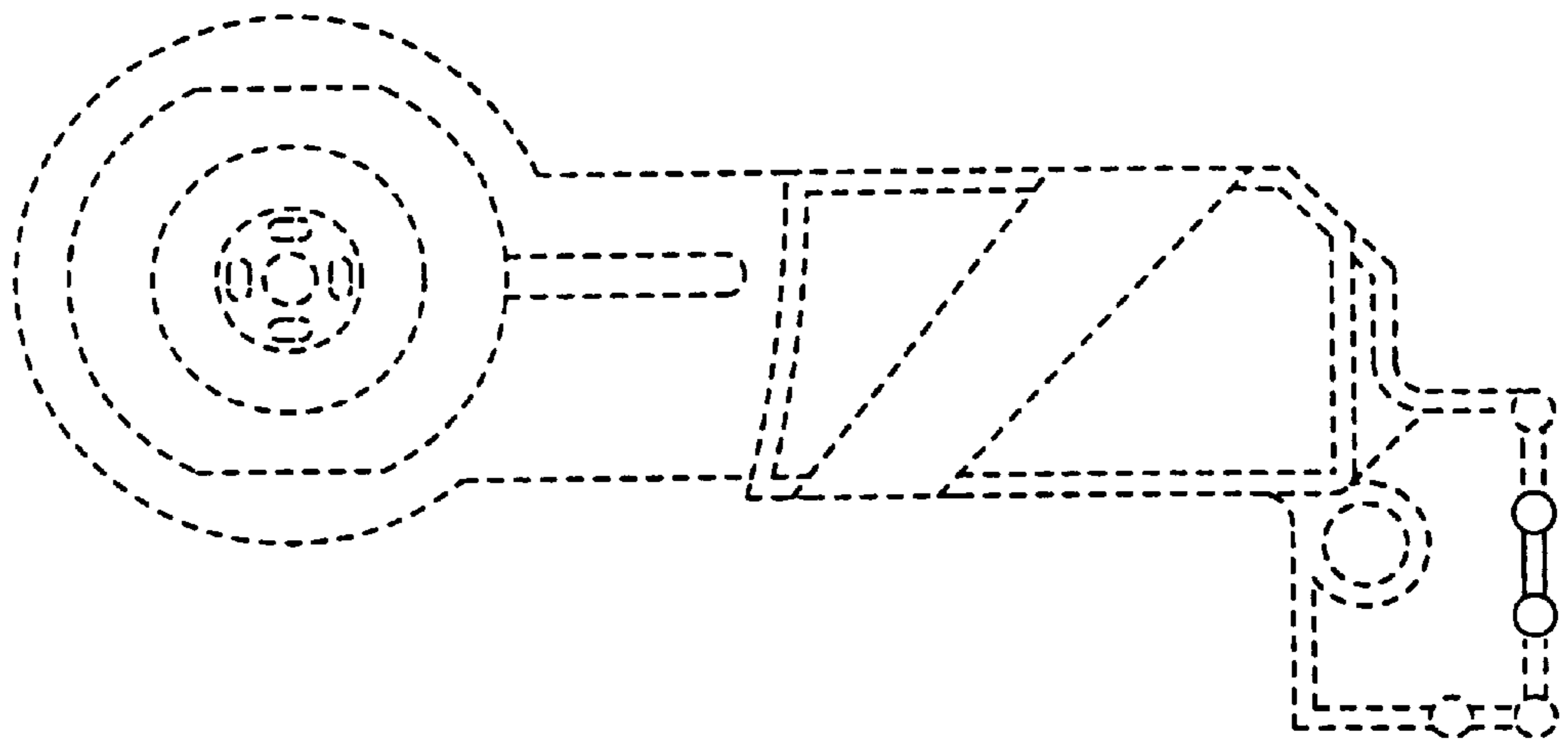


FIG.4

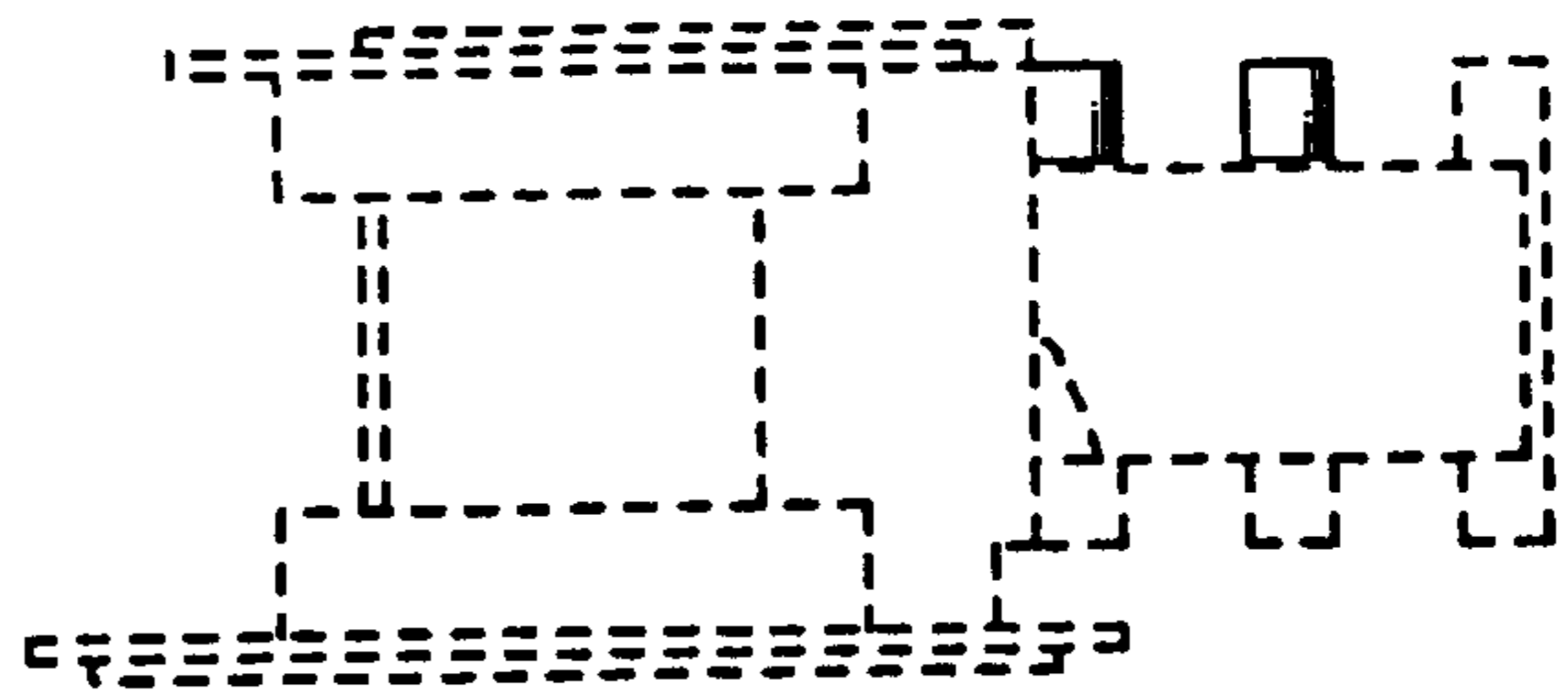


FIG.5

