



US00D477606S

(12) **United States Design Patent**
Theis et al.

(10) **Patent No.:** **US D477,606 S**

(45) **Date of Patent:** **** Jul. 22, 2003**

(54) **SUPPORT FOR FLAT PANEL MONITOR DISPLAY UNIT**

6,126,128 A * 10/2000 Costa et al. 248/278.1
D456,405 S 4/2002 Neal et al. D14/374

(75) Inventors: **John W. Theis**, St. Paul, MN (US);
Robert W. Fluhrer, Prior Lake, MN (US)

FOREIGN PATENT DOCUMENTS

CA 2319313 * 7/1999

* cited by examiner

(73) Assignee: **Ergotron, Inc.**, Eagan, MN (US)

Primary Examiner—Freda Nunn

(**) Term: **14 Years**

(74) *Attorney, Agent, or Firm*—Schwegman, Lundberg, Woessner & Kluth, P.A.

(21) Appl. No.: **29/159,592**

(57) **CLAIM**

(22) Filed: **Apr. 24, 2002**

The ornamental design for a support for flat panel monitor display unit, as shown and described.

(51) **LOC (7) Cl.** **14-02**

DESCRIPTION

(52) **U.S. Cl.** **D14/451**

(58) **Field of Search** D14/432, 447,
D14/448, 451, 452; D8/354, 373; 248/917-921,
278.1, 485

FIG. 1 is a perspective view of a support for flat panel monitor display unit, incorporating the new design.

(56) **References Cited**

U.S. PATENT DOCUMENTS

- 1,476,758 A * 12/1923 Hodny 248/485
- D367,477 S * 2/1996 Rosen D14/452
- D391,243 S * 2/1998 Rosen D14/452
- 5,842,672 A * 12/1998 Sweere et al. 248/278.1
- 5,876,008 A 3/1999 Sweere et al. 248/325
- D412,161 S 7/1999 Theis et al. D14/114
- 5,918,841 A 7/1999 Sweere et al. 248/123.11
- D413,110 S 8/1999 Sweere et al. D14/114
- D415,768 S 10/1999 Howell D14/239
- 6,015,120 A 1/2000 Sweere et al. 248/123.11
- D427,163 S 6/2000 Bergeron et al. D14/114

FIG. 2 is a front elevation of the support for flat panel monitor display unit of FIG. 1.

FIG. 3 is a rear elevation of the support for flat panel monitor display unit of FIG. 1.

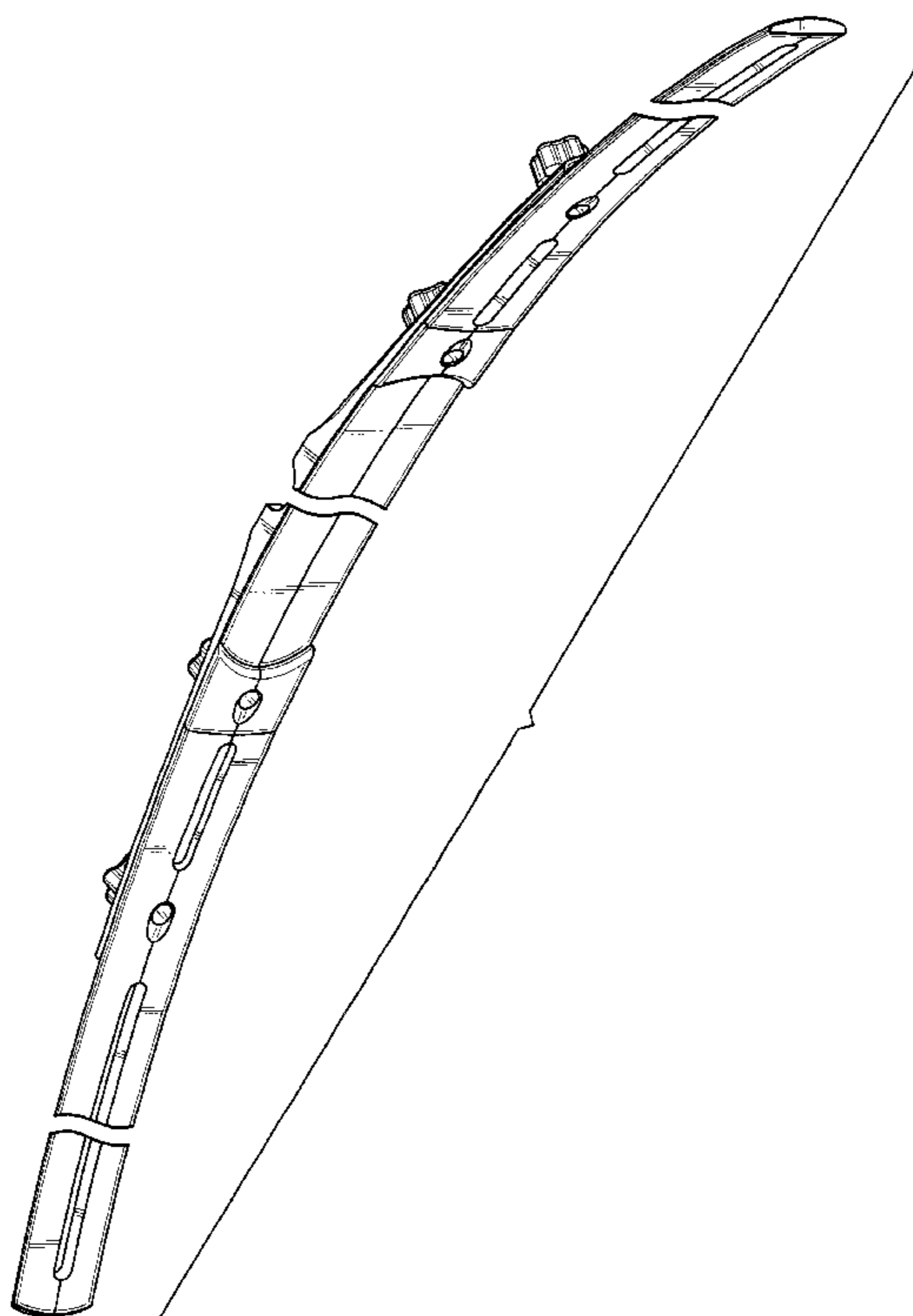
FIG. 4 is a left side elevation of the support for flat panel monitor display unit of FIG. 1.

FIG. 5 is a right side elevation of the support for flat panel monitor display unit of FIG. 1.

FIG. 6 is a top plan of the support for flat panel monitor display unit of FIG. 1; and,

FIG. 7 is a bottom plan of the support for flat panel monitor display unit of FIG. 1.

1 Claim, 6 Drawing Sheets



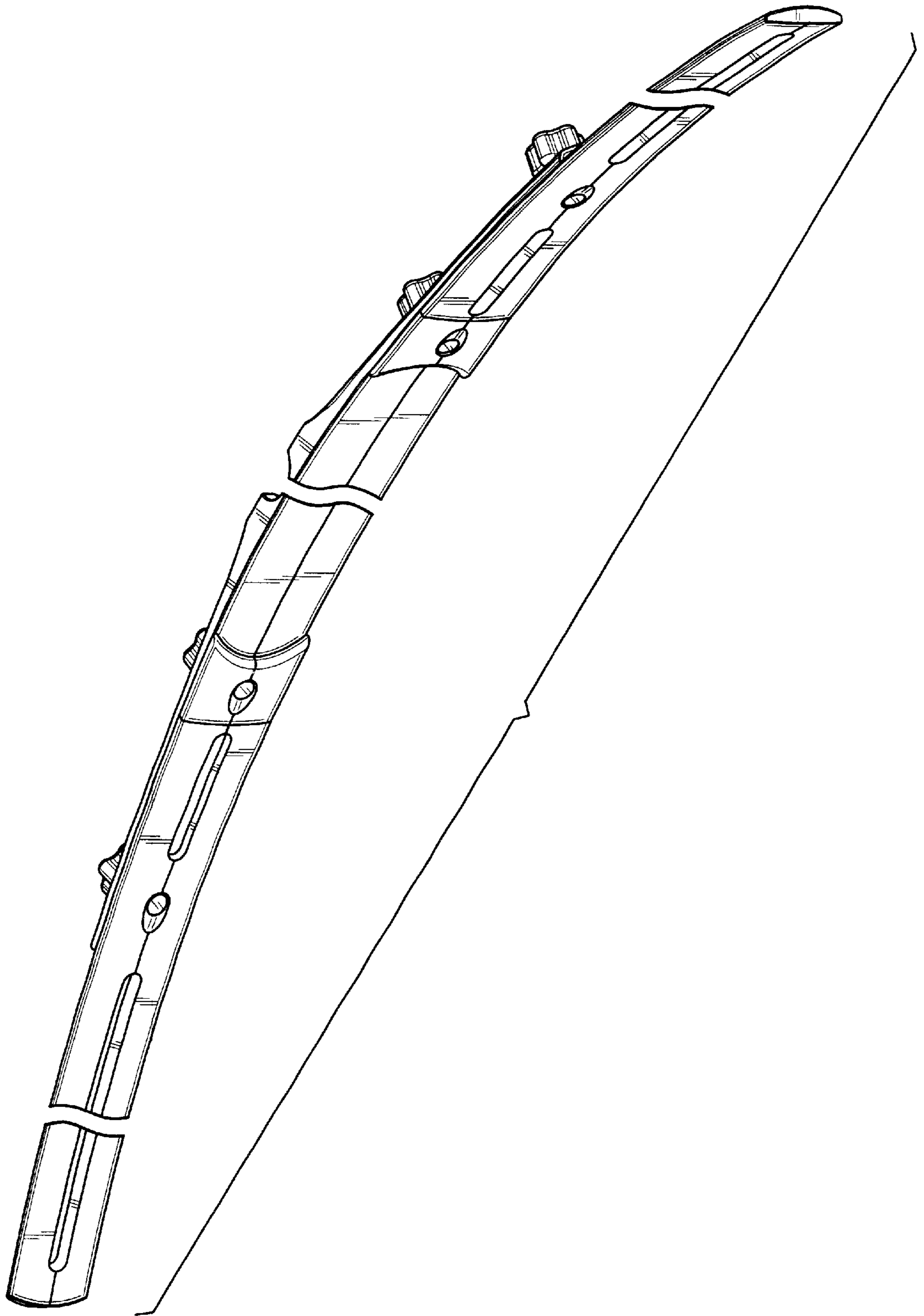


FIG. 1

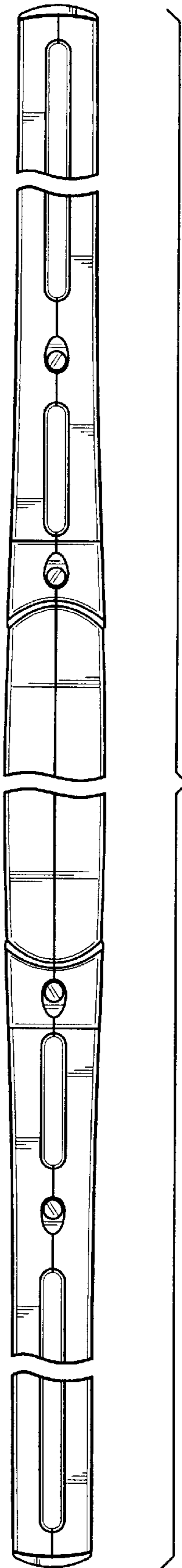


FIG. 2

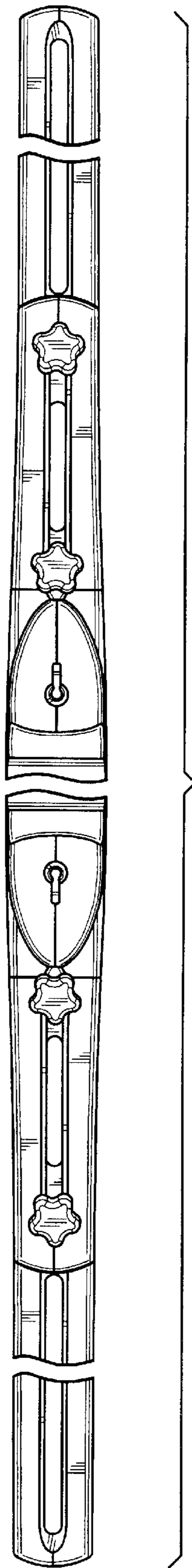


FIG. 3

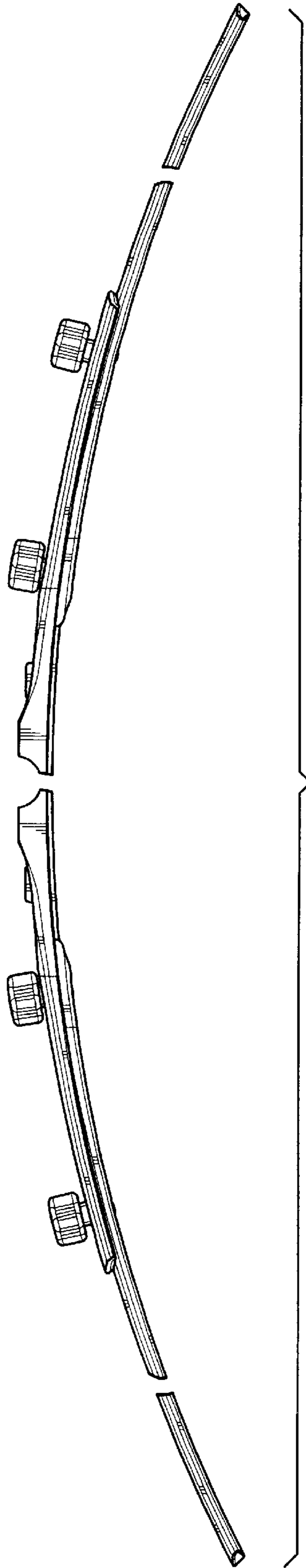


FIG. 4

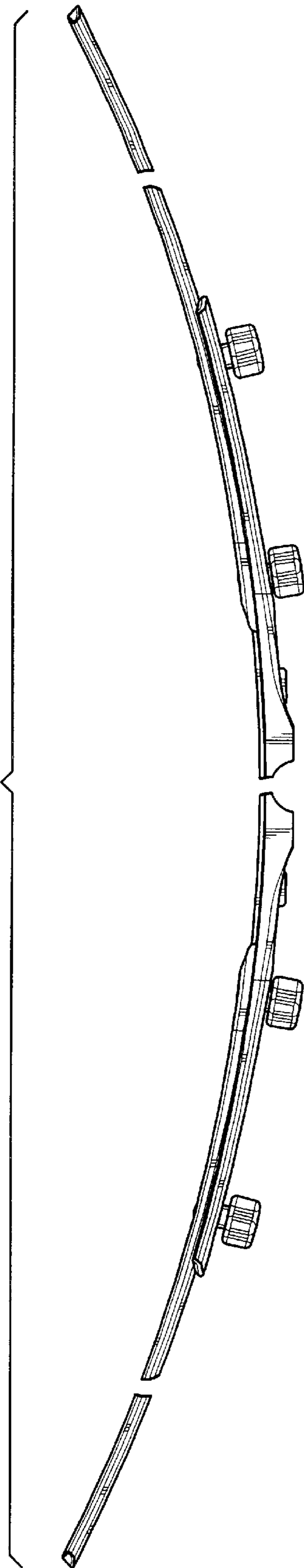


FIG. 5

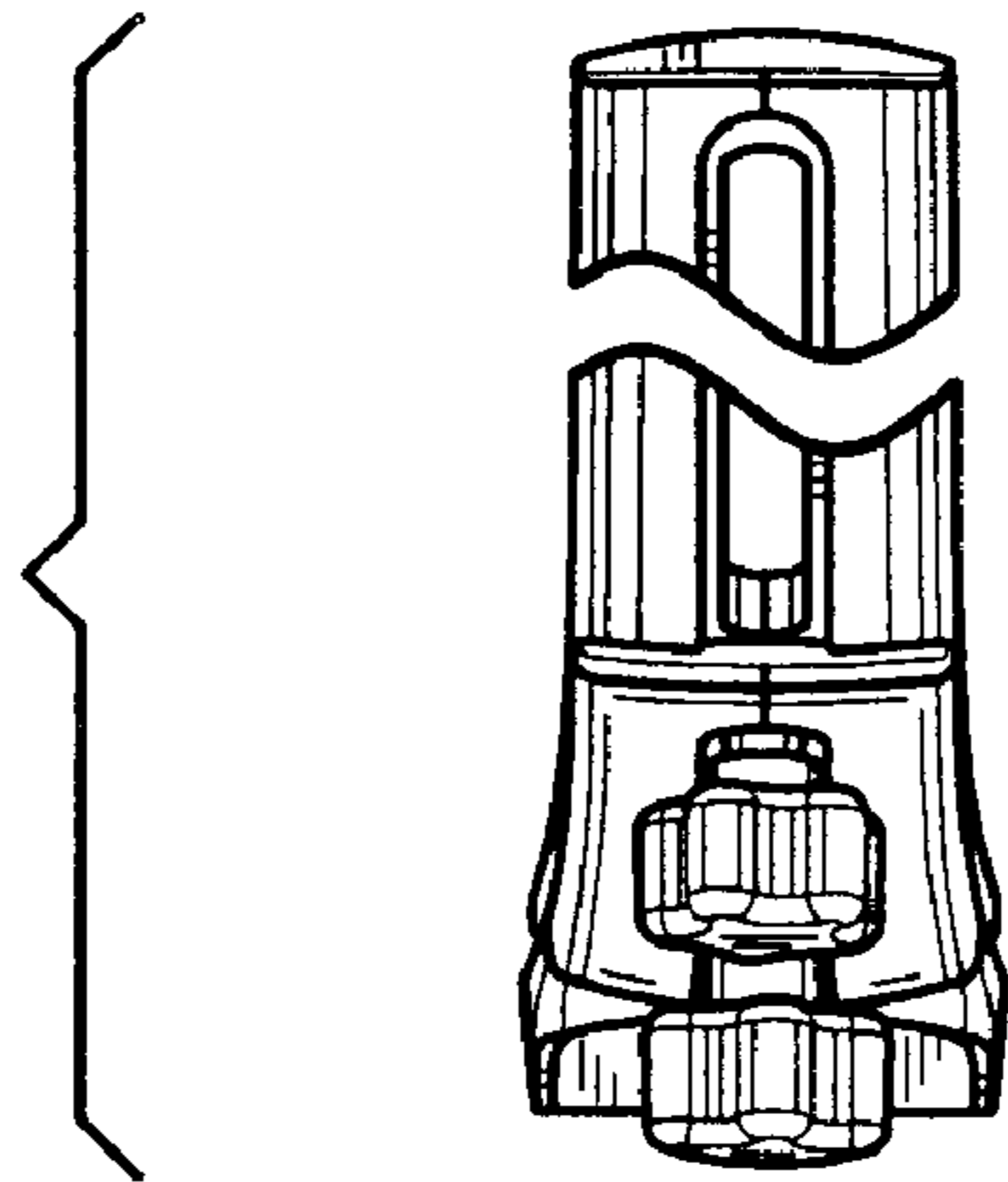


FIG. 6

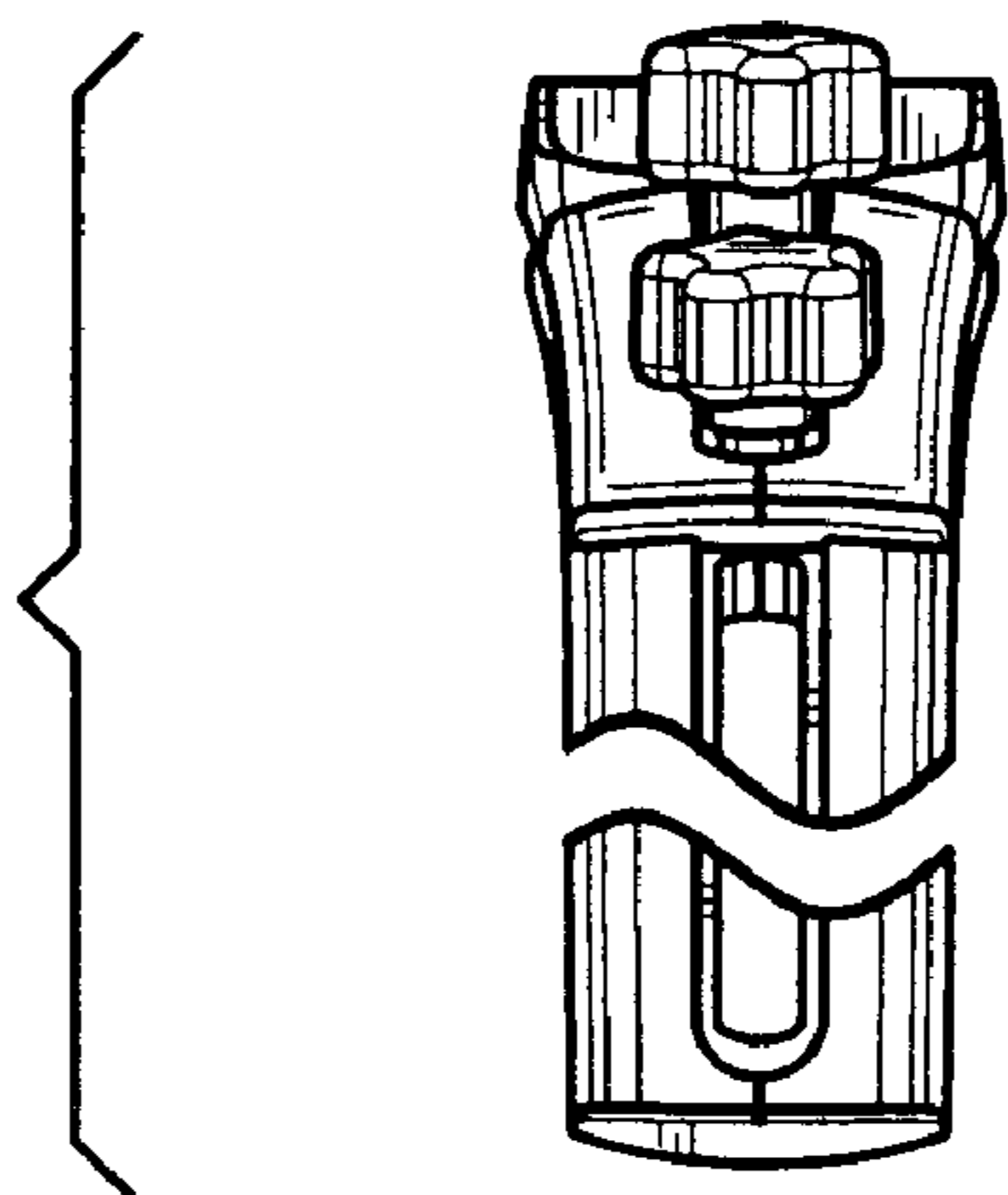


FIG. 7