



US00D477601S

(12) **United States Design Patent**
Liao

(10) **Patent No.:** **US D477,601 S**

(45) **Date of Patent:** **** Jul. 22, 2003**

(54) **LIQUID CRYSTAL DISPLAY COMPUTER**

D410,441 S * 6/1999 Lin D14/314
D440,542 S * 4/2001 Hawkins et al. D14/346

(75) Inventor: **Li Yu Liao**, Taipei (TW)

* cited by examiner

(73) Assignee: **Elitegroup Computer Systems Co., Ltd.**, Taipei (TW)

Primary Examiner—Freda Nunn
(74) *Attorney, Agent, or Firm*—Browdy and Neimark, P.L.L.C.

(**) Term: **14 Years**

(57) **CLAIM**

(21) Appl. No.: **29/162,907**

The ornamental design for a “liquid crystal display computer”, as shown and described.

(22) Filed: **Jun. 25, 2002**

DESCRIPTION

(51) **LOC (7) Cl.** **14-02**

(52) **U.S. Cl.** **D14/371; D14/336**

(58) **Field of Search** D14/371, 374,
D14/375, 125–129, 336, 337, 341, 314,
346; 248/917–924; 341/12; 345/104, 156,
168, 173; 348/180, 184, 325, 739; 349/1,
2, 11, 62

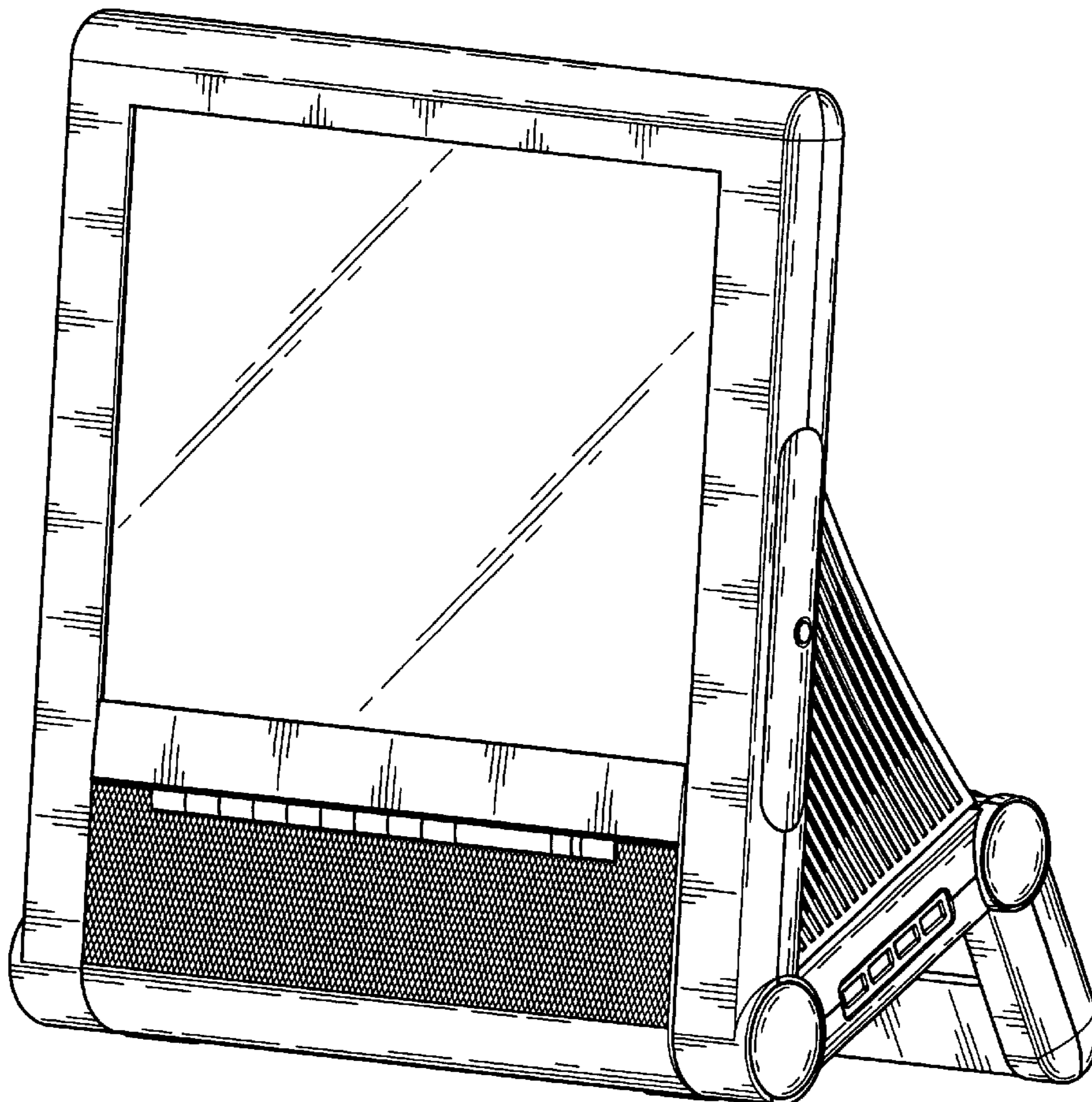
FIG. 1 is a perspective view of a “liquid crystal display computer” showing my new design;
FIG. 2 is a front view thereof;
FIG. 3 is a rear view thereof;
FIG. 4 is a left side view thereof;
FIG. 5 is a right side view thereof;
FIG. 6 is a top view thereof;
FIG. 7 is a bottom view thereof; and,
FIG. 8 is a right side view showing the practical usage thereof.

(56) **References Cited**

U.S. PATENT DOCUMENTS

D346,594 S * 5/1994 Skaggs et al. D14/375
D373,576 S * 9/1996 Liggett D14/341

1 Claim, 8 Drawing Sheets



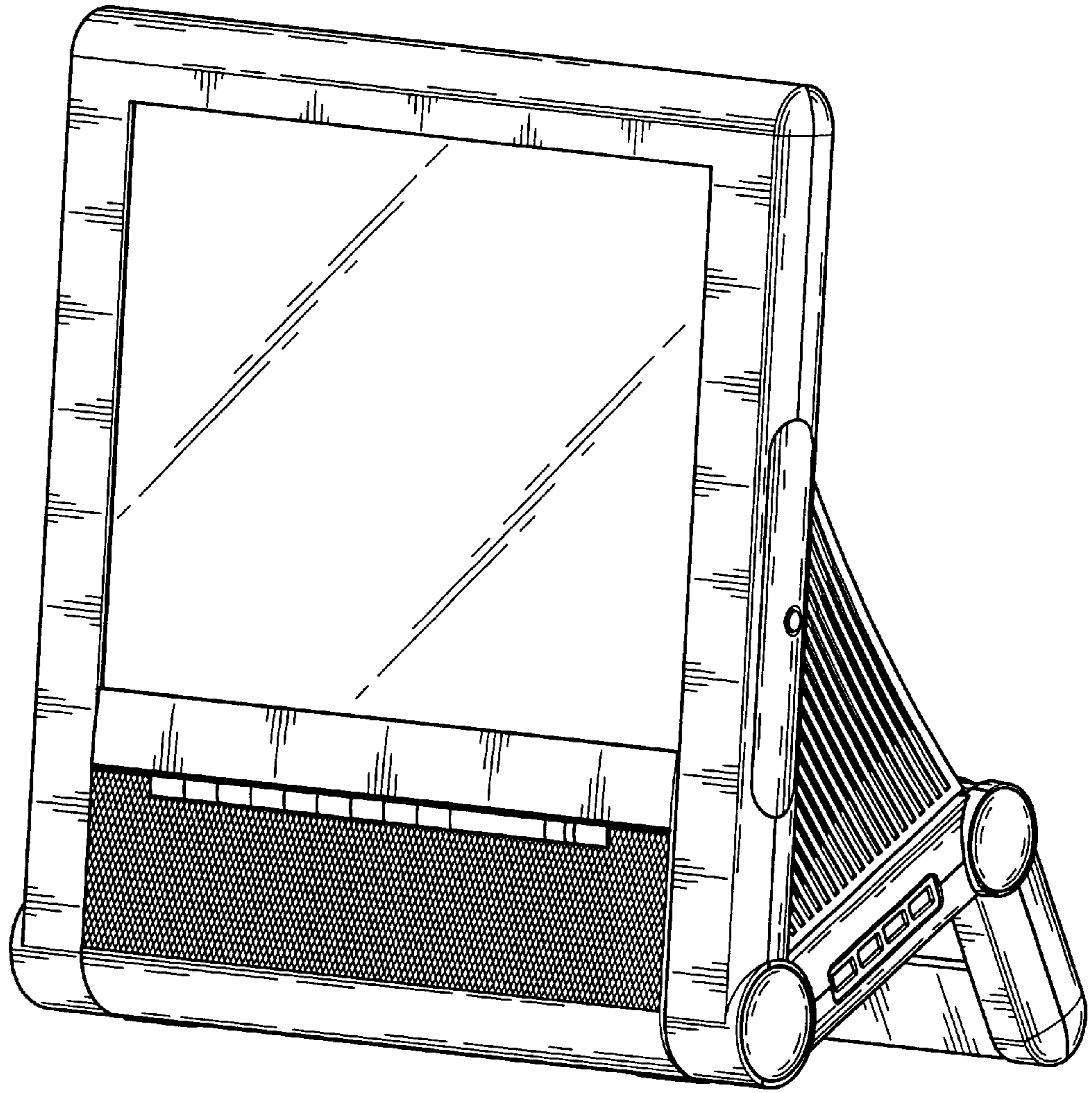


FIG. 1

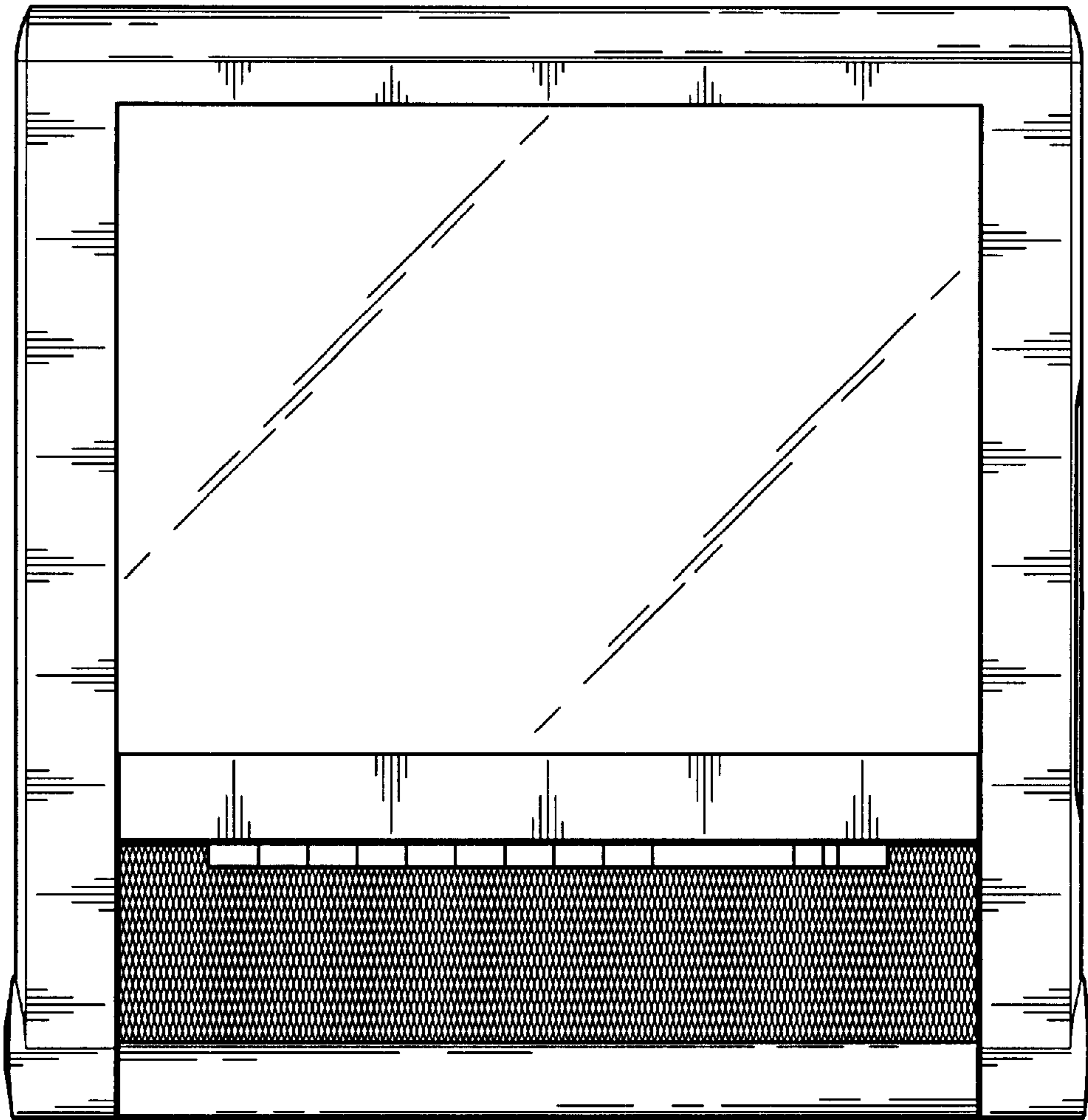


FIG. 2

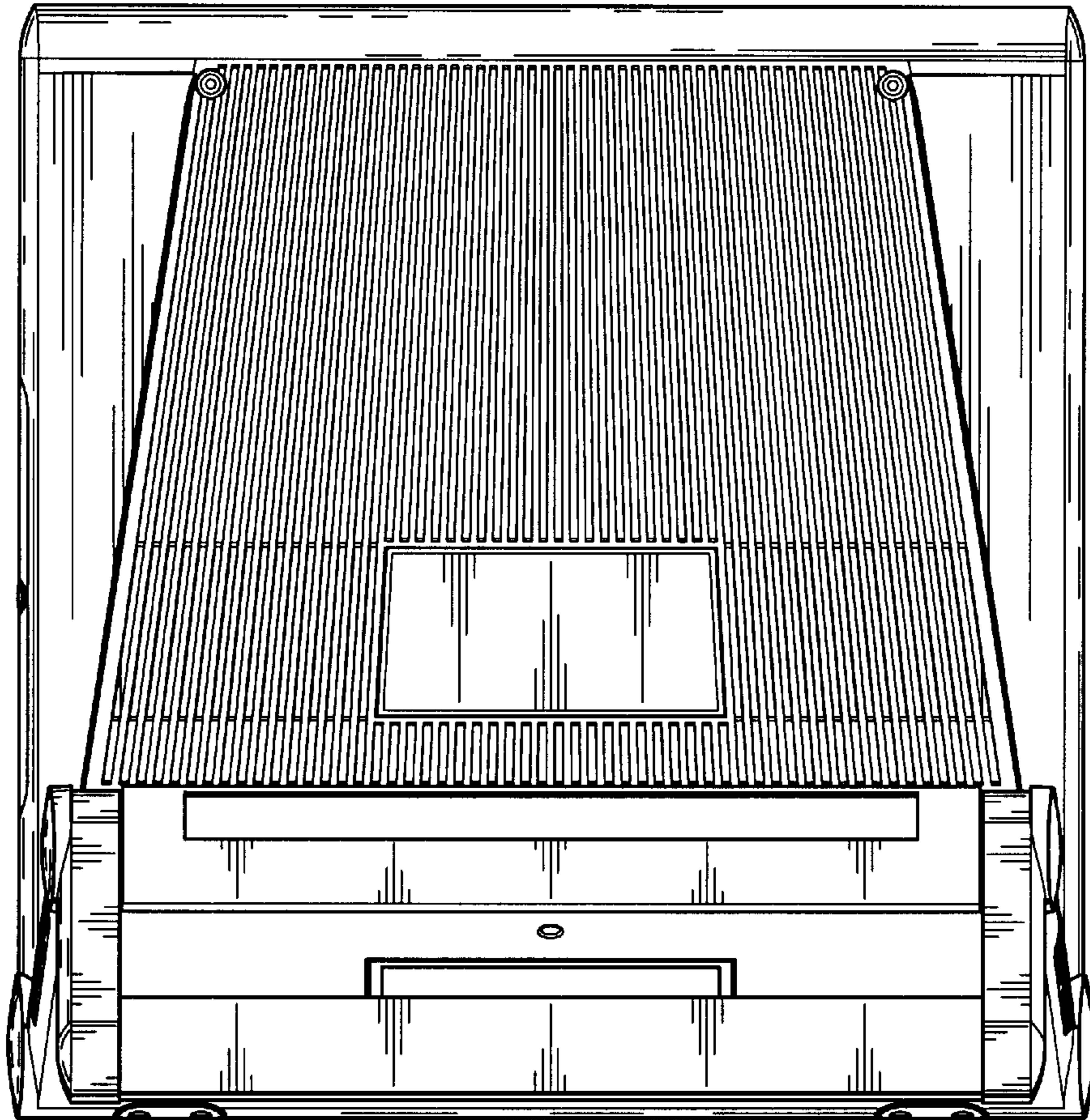


FIG. 3

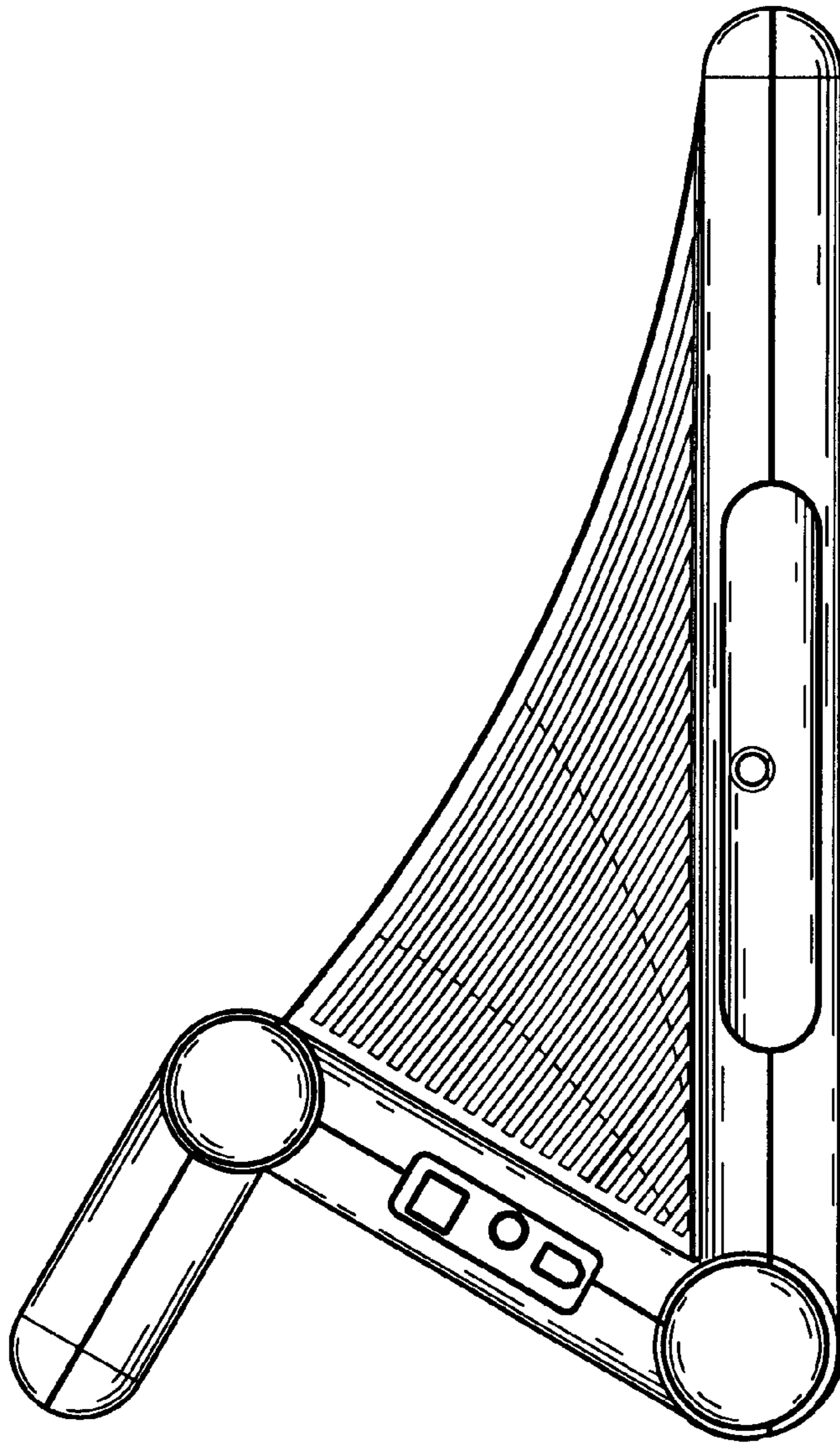


FIG. 4

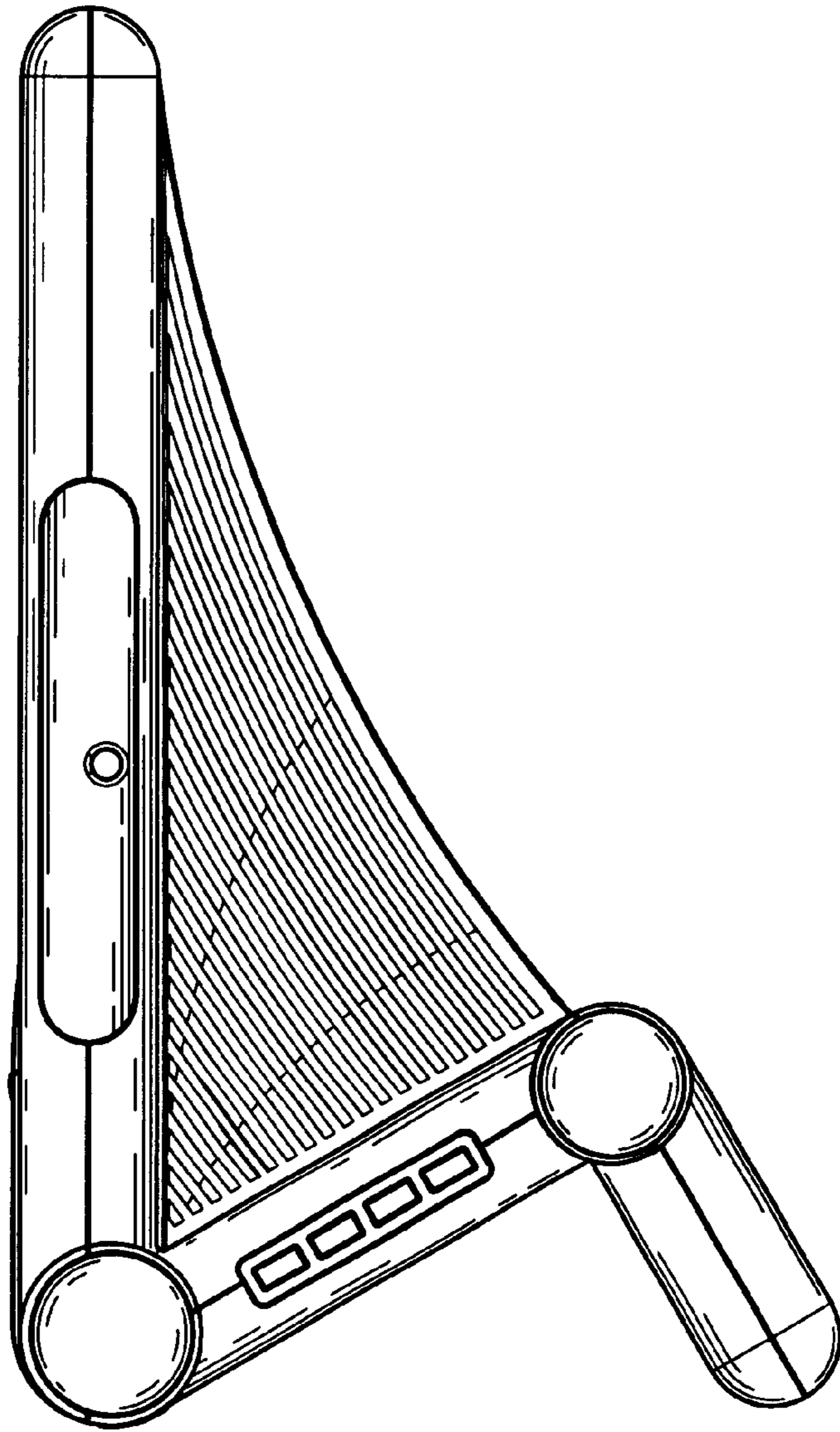


FIG. 5

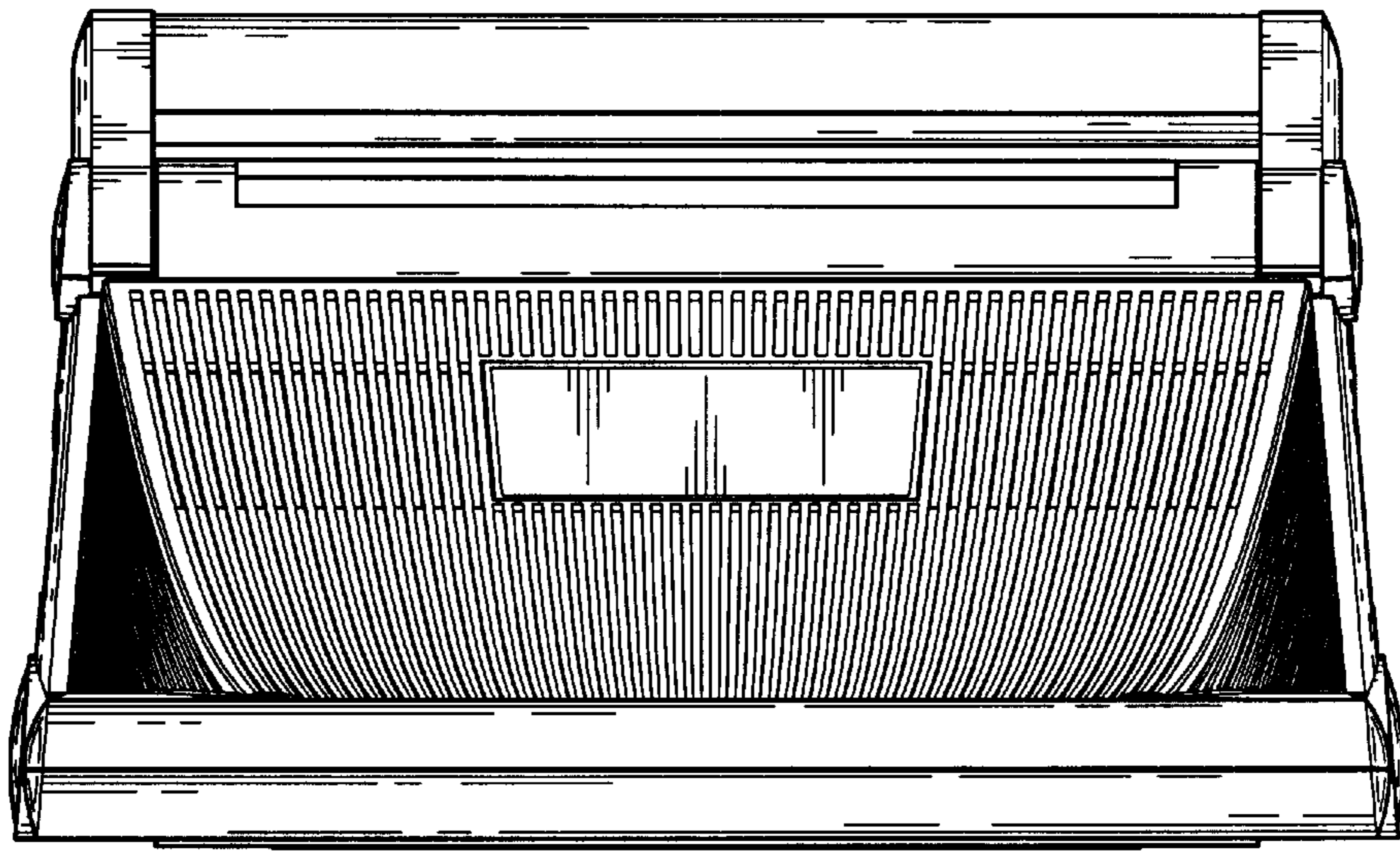


FIG. 6

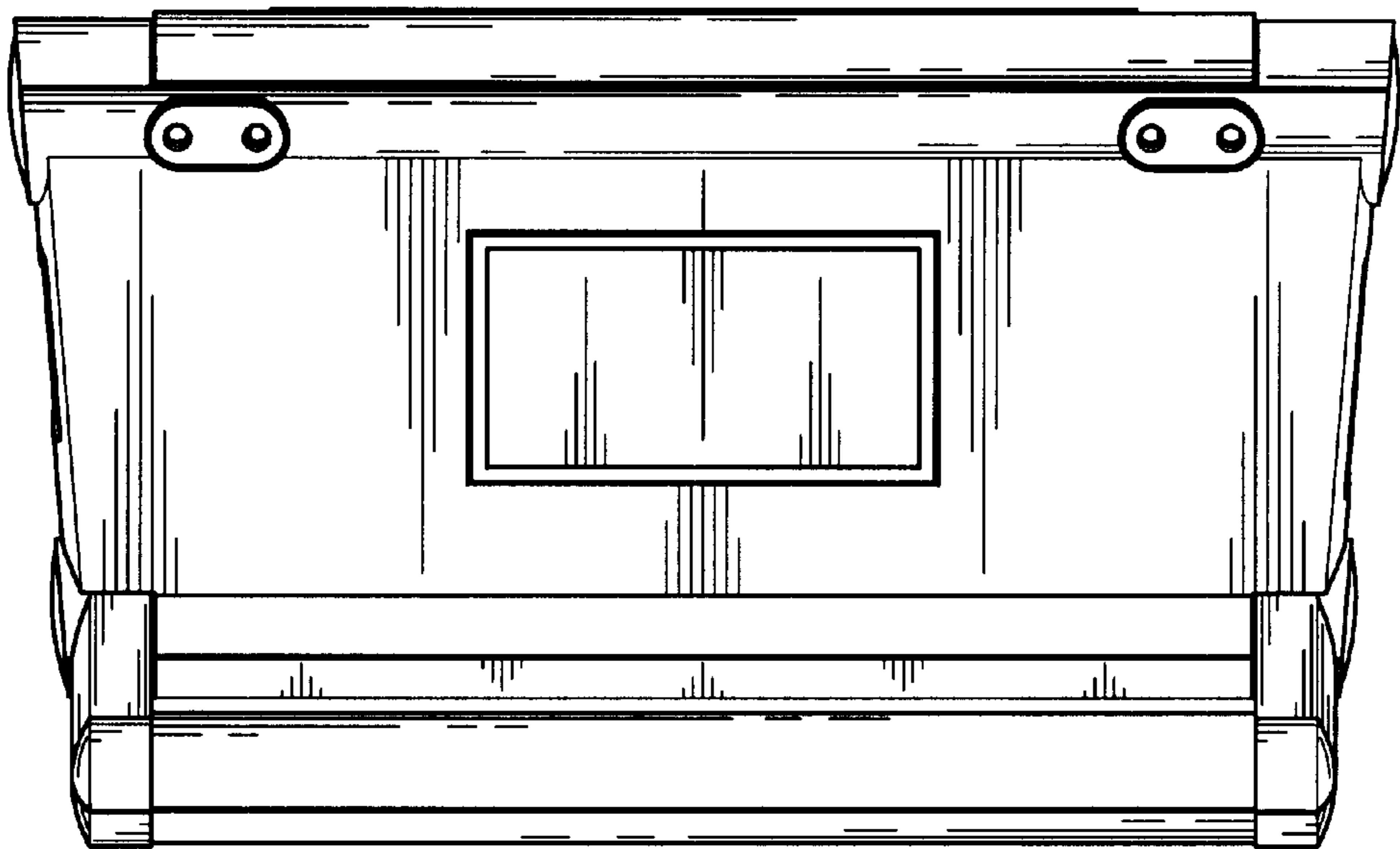


FIG. 7

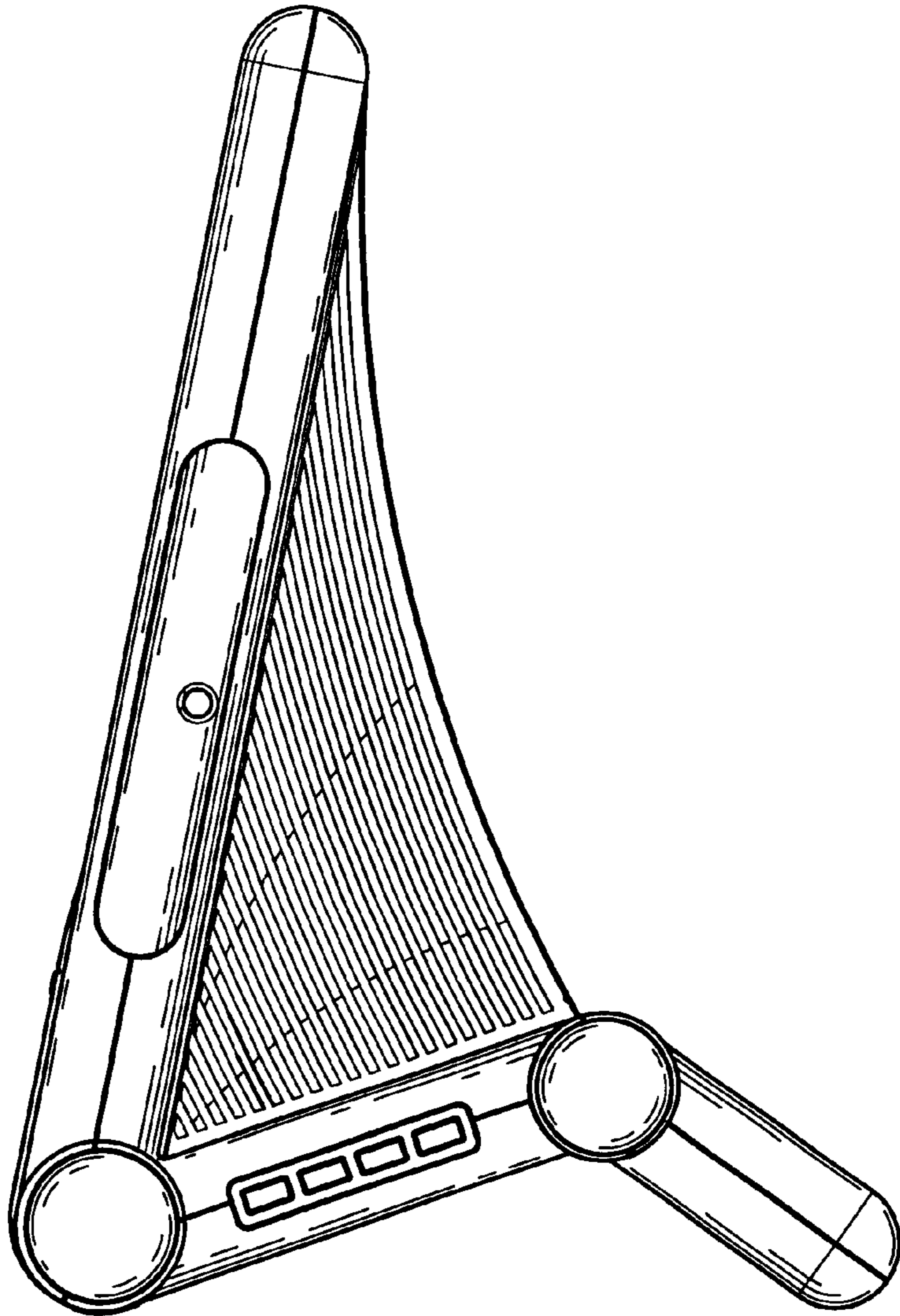


FIG. 8