



US00D477600S

(12) **United States Design Patent**  
**Crisp et al.**

(10) **Patent No.:** **US D477,600 S**

(45) **Date of Patent:** **\*\* Jul. 22, 2003**

(54) **COMPUTER PROCESSOR ENCLOSURE**

(75) Inventors: **Richard Andrew Crisp**, Edina, MN (US); **Bob Springer**, Rochester, MN (US)

(73) Assignee: **International Business Machines Corporation**, NY (US)

(\*\*) Term: **14 Years**

(21) Appl. No.: **29/167,372**

(22) Filed: **Sep. 12, 2002**

(51) **LOC (7) Cl.** ..... **14-02**

(52) **U.S. Cl.** ..... **D14/354**

(58) **Field of Search** ..... D14/349-354,  
D14/356, 355; D13/162, 184, 199; 312/223.1-223.3;  
360/99.01, 99.12; 361/690-696

(56) **References Cited**

**U.S. PATENT DOCUMENTS**

D350,337 S \* 9/1994 Riley et al. .... D14/352  
D366,648 S \* 1/1996 Hill et al. .... D14/308

D410,899 S \* 6/1999 Alo et al. .... D14/350  
D449,298 S \* 10/2001 Matsuoka .... D14/349

\* cited by examiner

*Primary Examiner*—Freda Nunn

(74) *Attorney, Agent, or Firm*—James R. Nock

(57) **CLAIM**

The ornamental design for a computer processor enclosure, as shown and described.

**DESCRIPTION**

FIG. 1 is a top, front, right side isometric view of a computer processor enclosure, showing our new design;

FIG. 2 is a front view thereof;

FIG. 3 is a left side view thereof;

FIG. 4 is a right side view thereof;

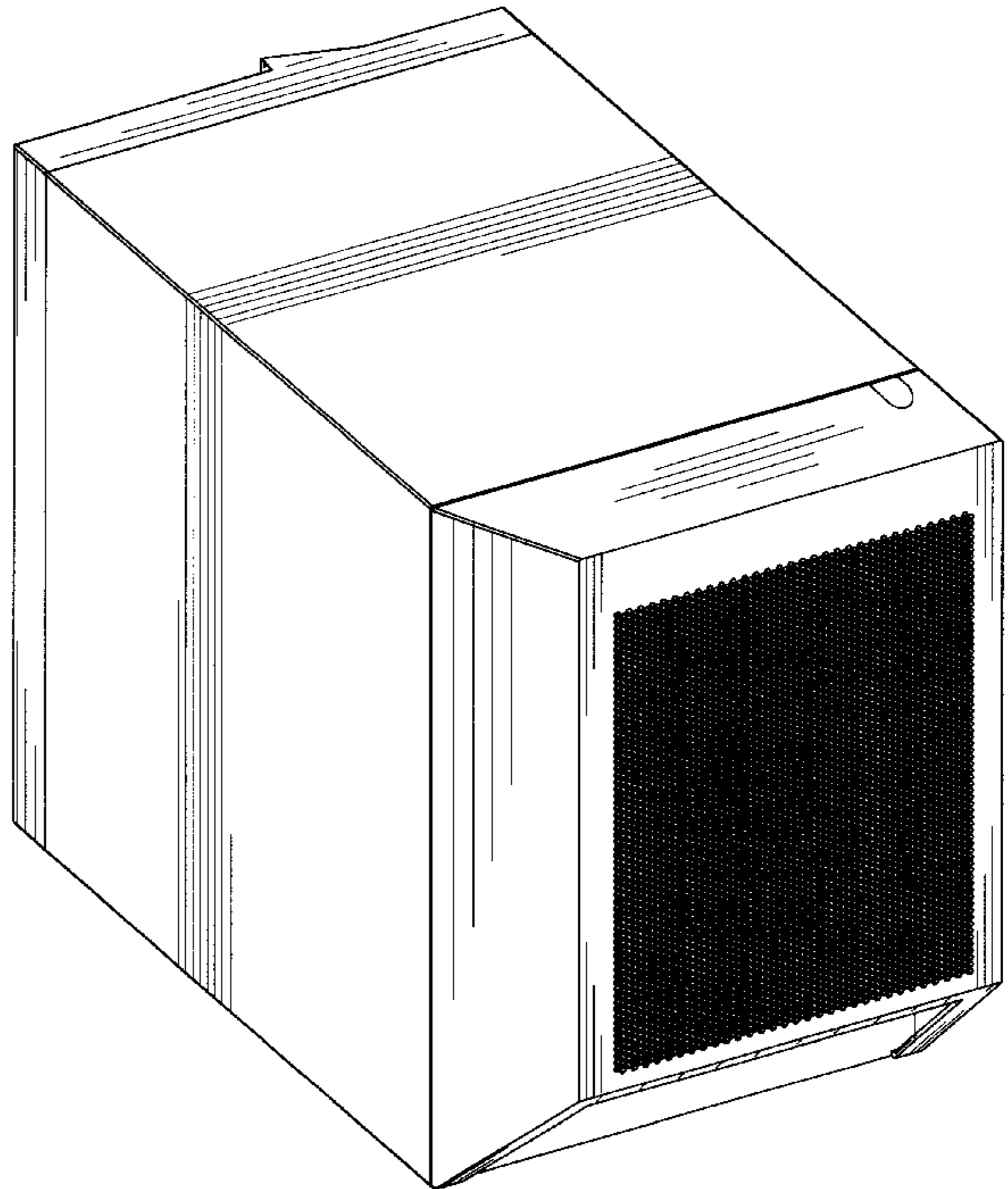
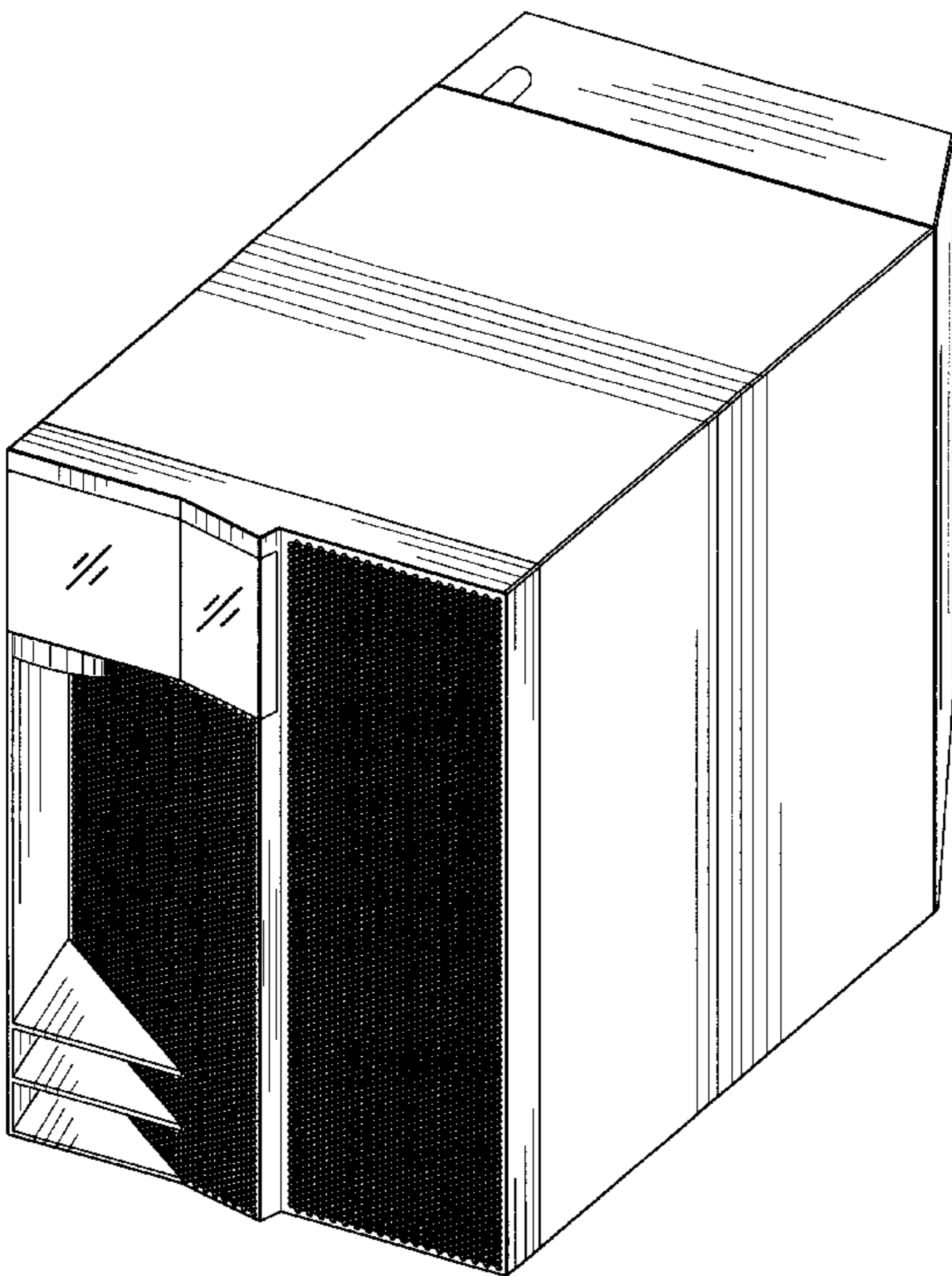
FIG. 5 is a rear view thereof;

FIG. 6 is a top, rear, right side isometric view thereof; and,

FIG. 7 is a top view thereof.

The bottom of the computer processor enclosure is unornamented.

**1 Claim, 7 Drawing Sheets**



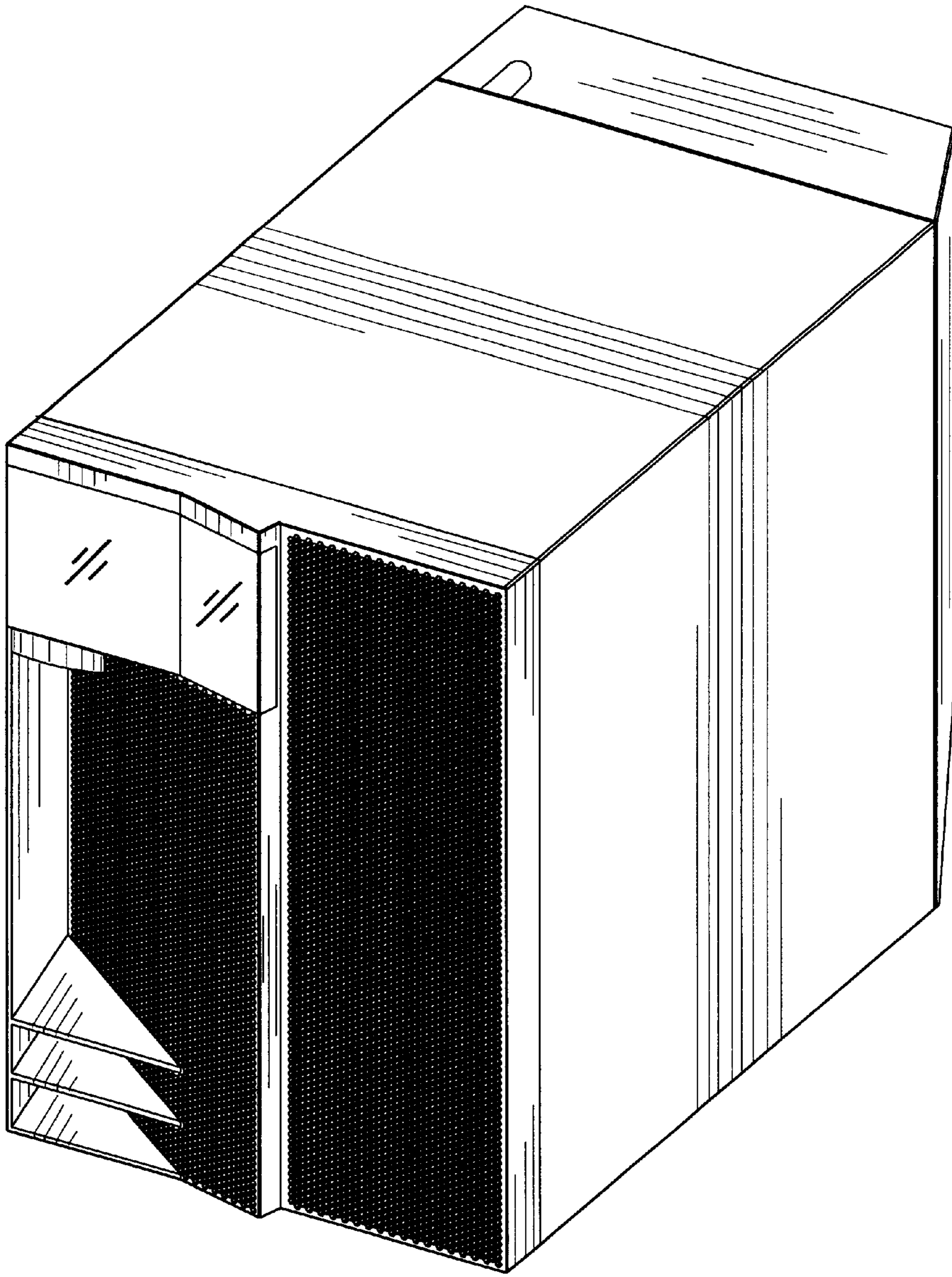


FIG. 1

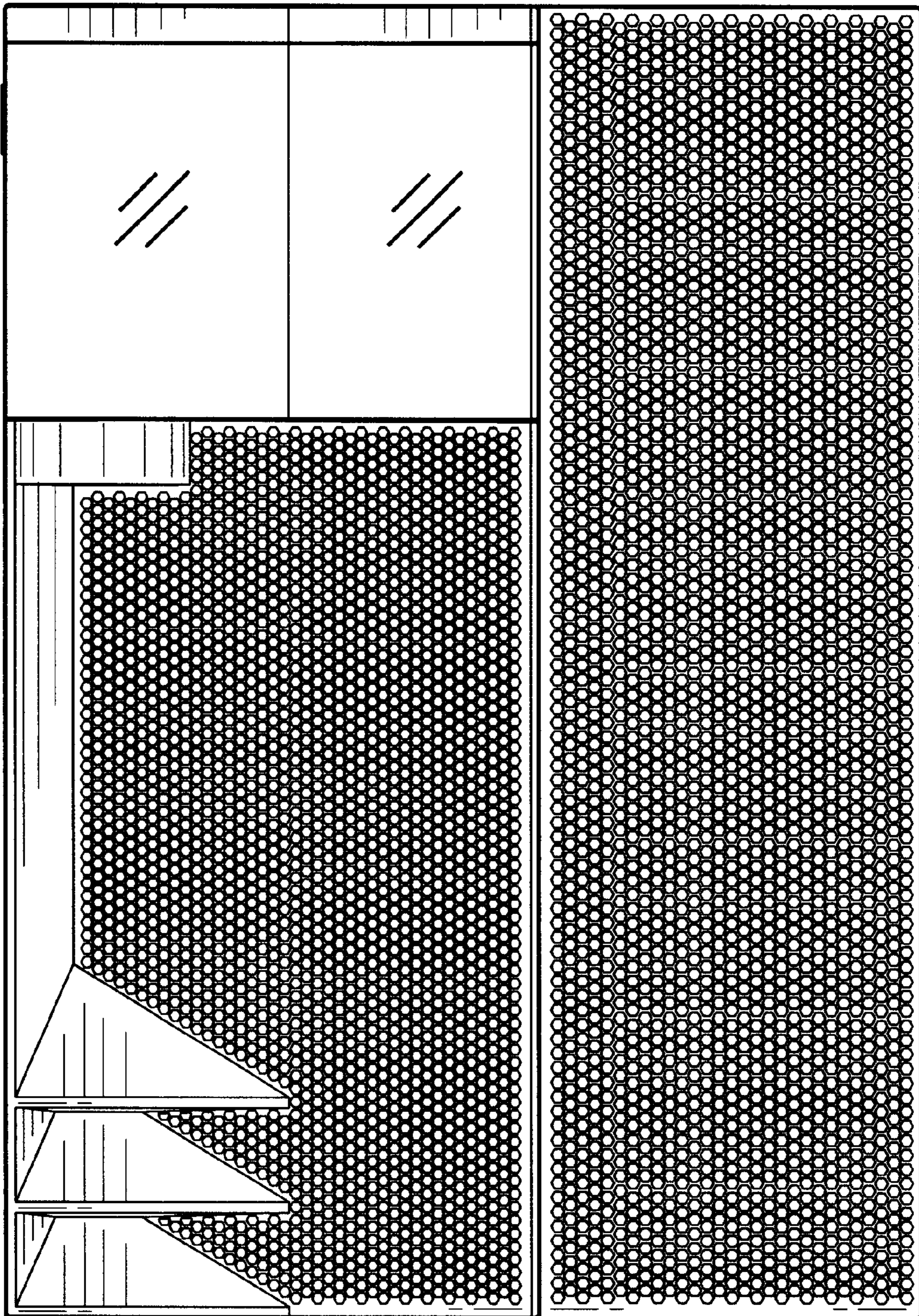


FIG. 2

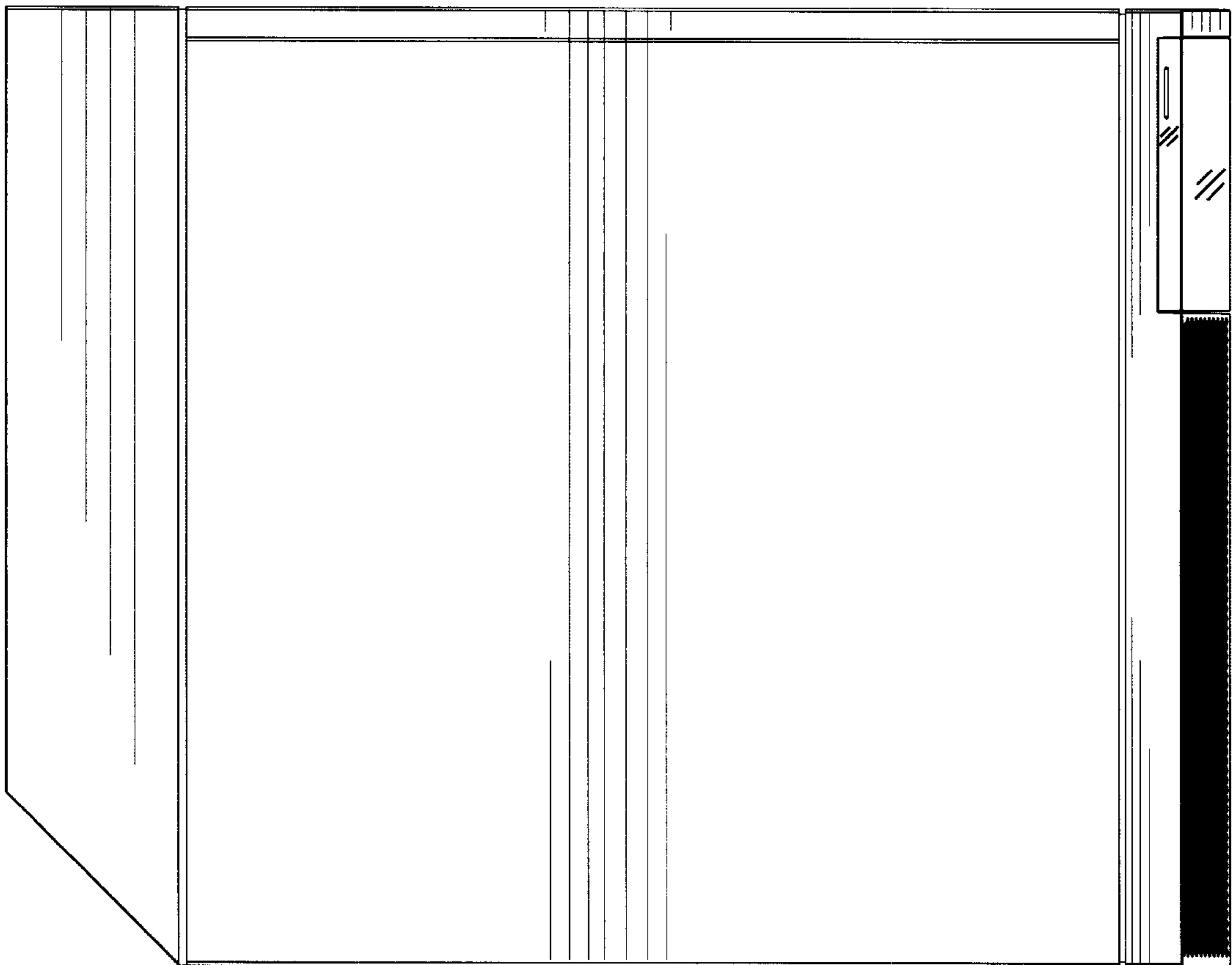


FIG. 3

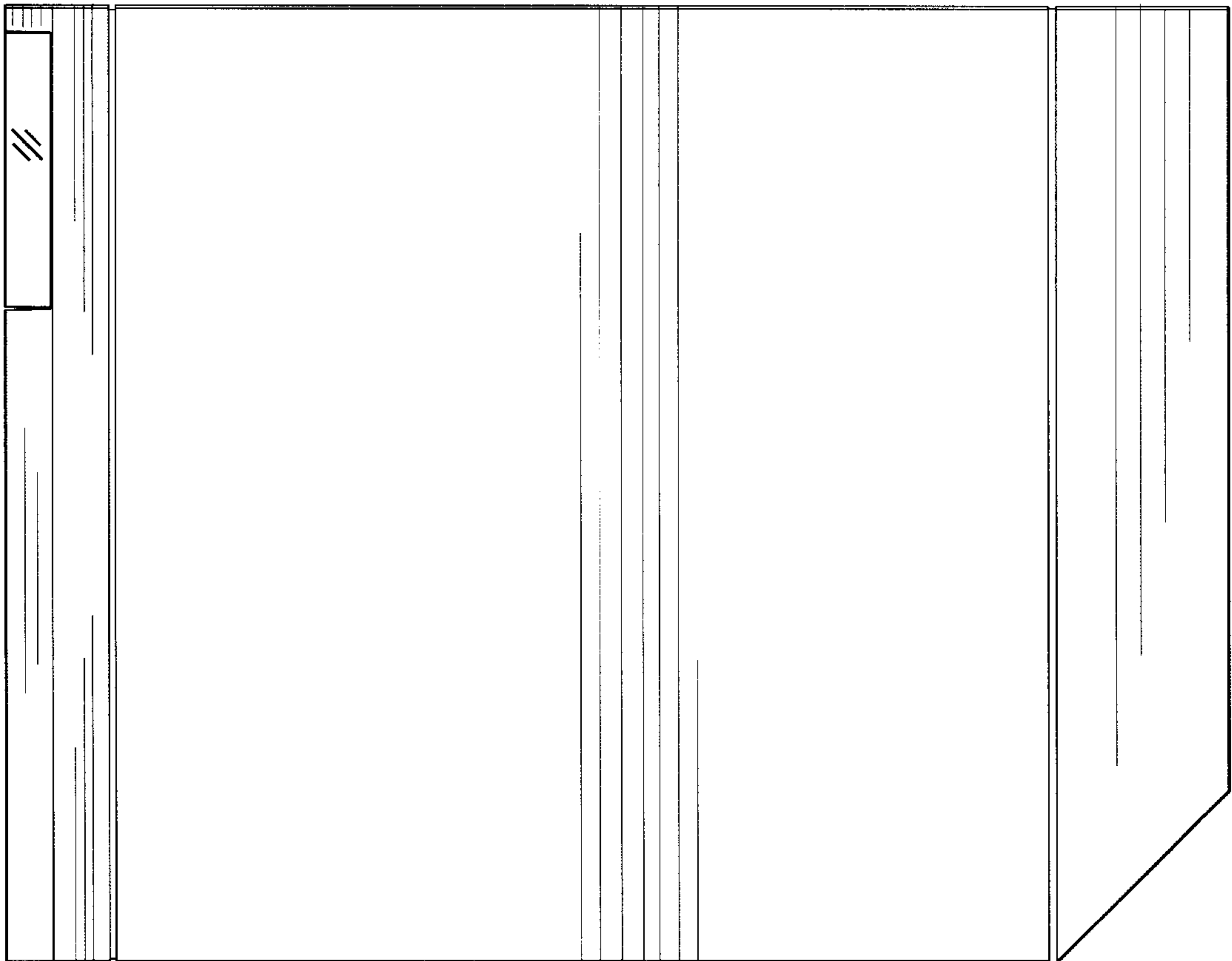


FIG. 4

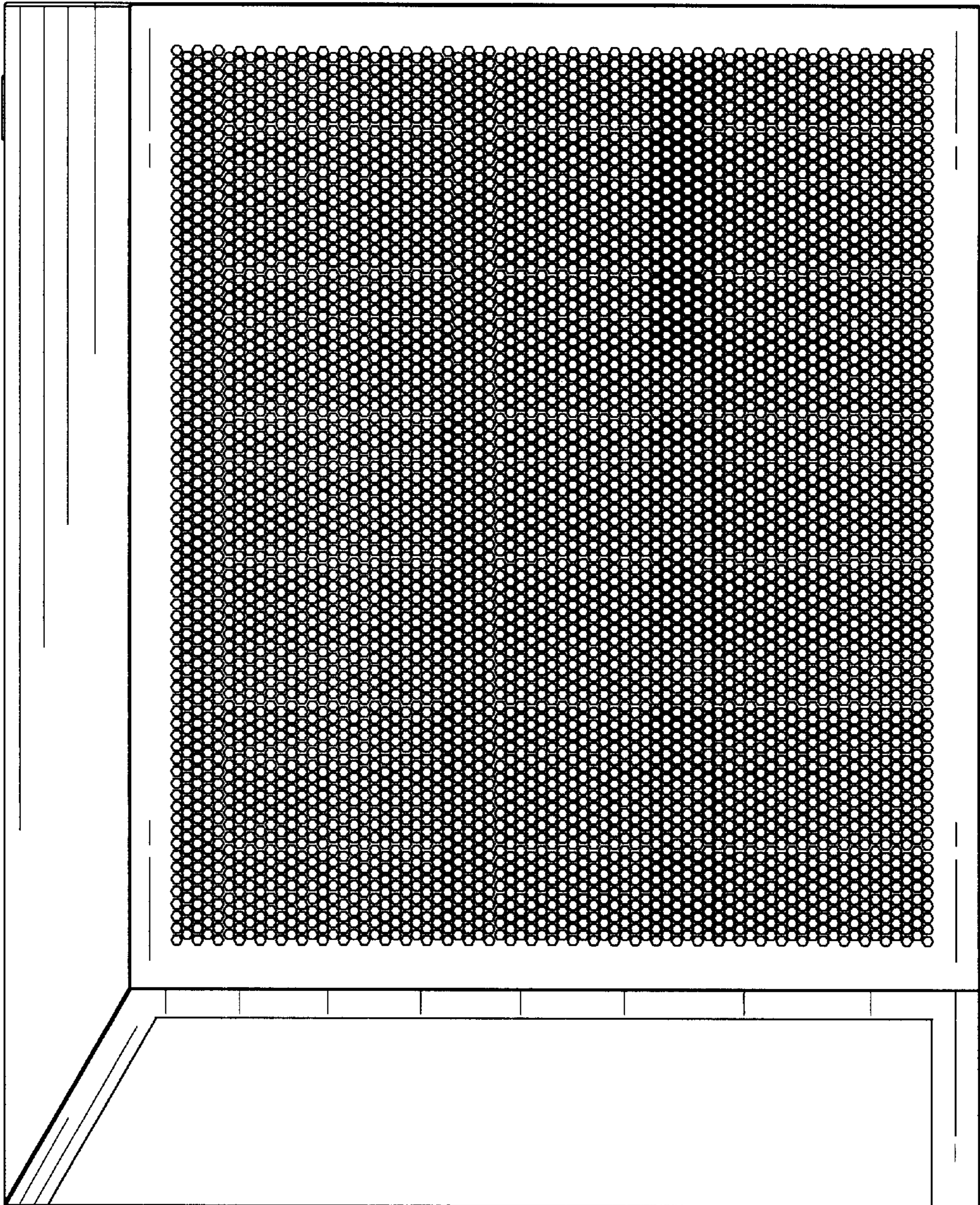


FIG. 5

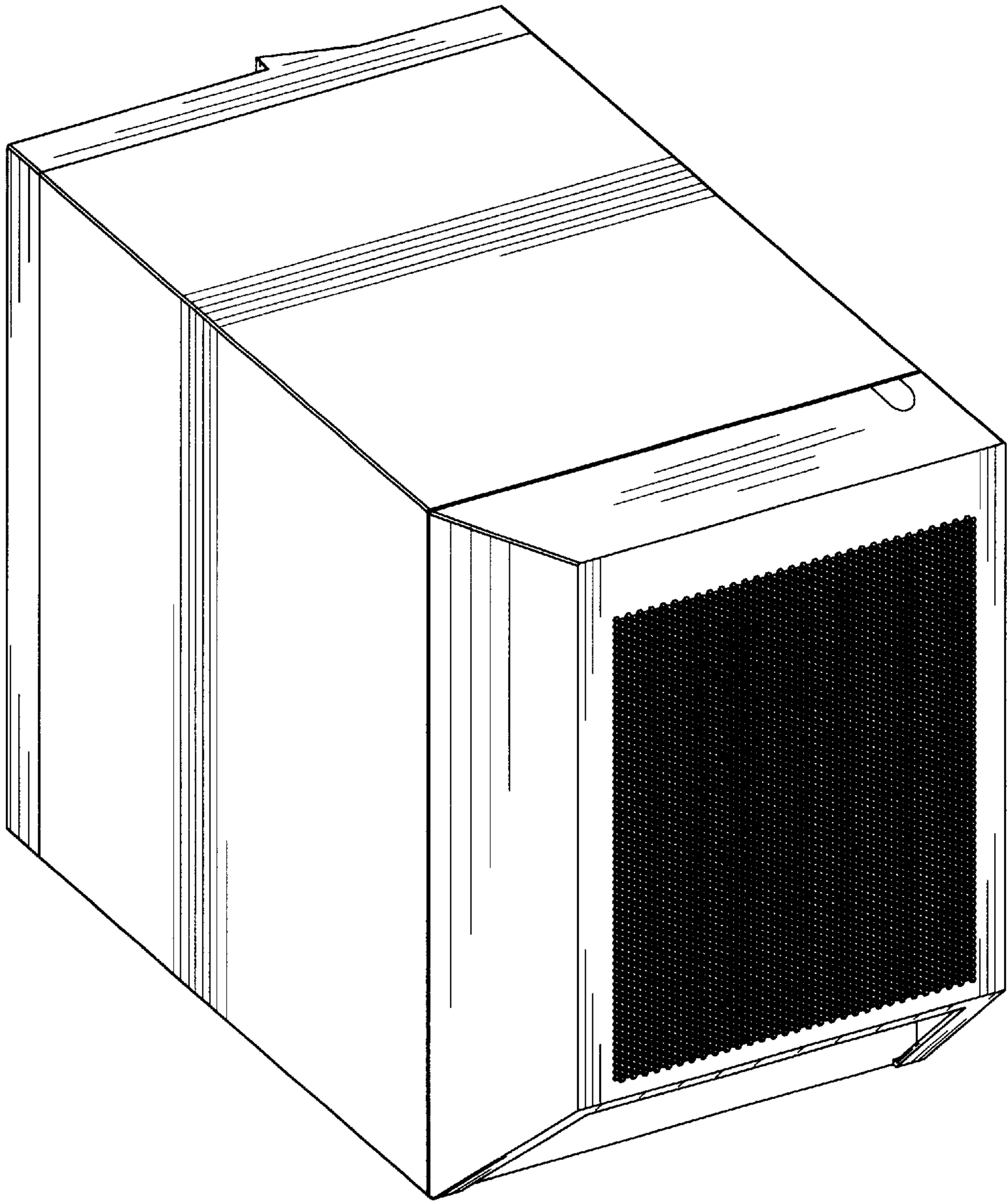


FIG. 6

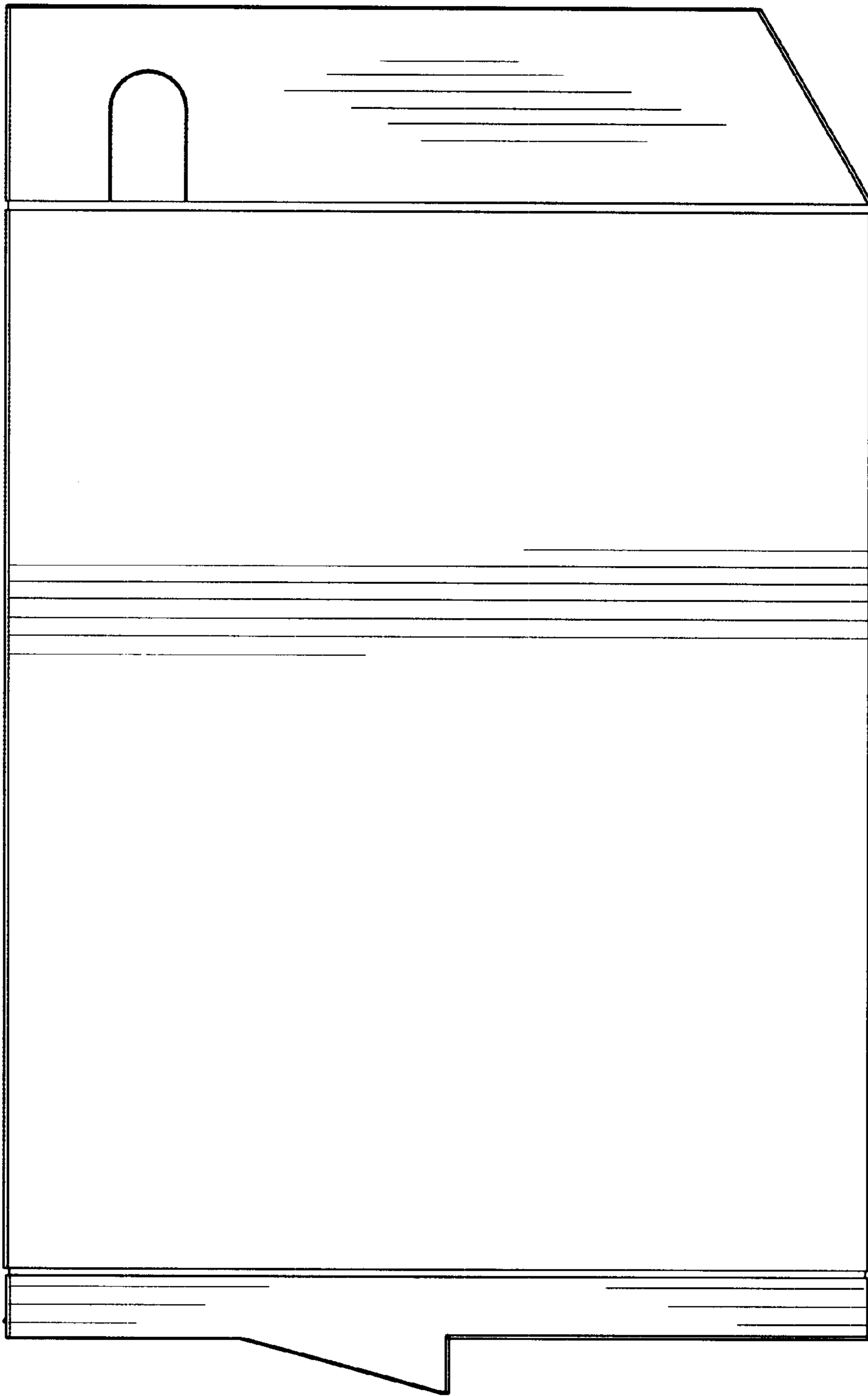


FIG. 7