



US00D477599S

(12) **United States Design Patent**
Crisp et al.

(10) **Patent No.:** **US D477,599 S**

(45) **Date of Patent:** **** Jul. 22, 2003**

(54) **COMPUTER PROCESSOR ENCLOSURE**

(75) Inventors: **Richard Andrew Crisp**, Rochester, MN (US); **Bob Springer**, Rochester, MN (US)

(73) Assignee: **International Business Machines Corporation**, Armonk, NY (US)

(**) Term: **14 Years**

(21) Appl. No.: **29/164,758**

(22) Filed: **Jul. 30, 2002**

(51) **LOC (7) Cl.** **14-02**

(52) **U.S. Cl.** **D14/350**

(58) **Field of Search** D14/349, 350, D14/351, 352, 353, 354, 356; D13/162, 184, 199; 312/223.1-223.3; 360/99.01, 99.12; 361/690-696

(56) **References Cited**

U.S. PATENT DOCUMENTS

D366,462 S * 1/1996 Hill et al. D14/351
D382,859 S * 8/1997 Alfonso et al. D14/349

D386,156 S * 11/1997 MacMurtrie et al. D14/349
D393,836 S * 4/1998 Hisatsune et al. D14/356
D394,644 S * 5/1998 Acciaioli et al. D14/351
5,884,988 A * 3/1999 Foo et al. 312/223.2

* cited by examiner

Primary Examiner—Freda Nunn

(74) *Attorney, Agent, or Firm*—James R. Nock

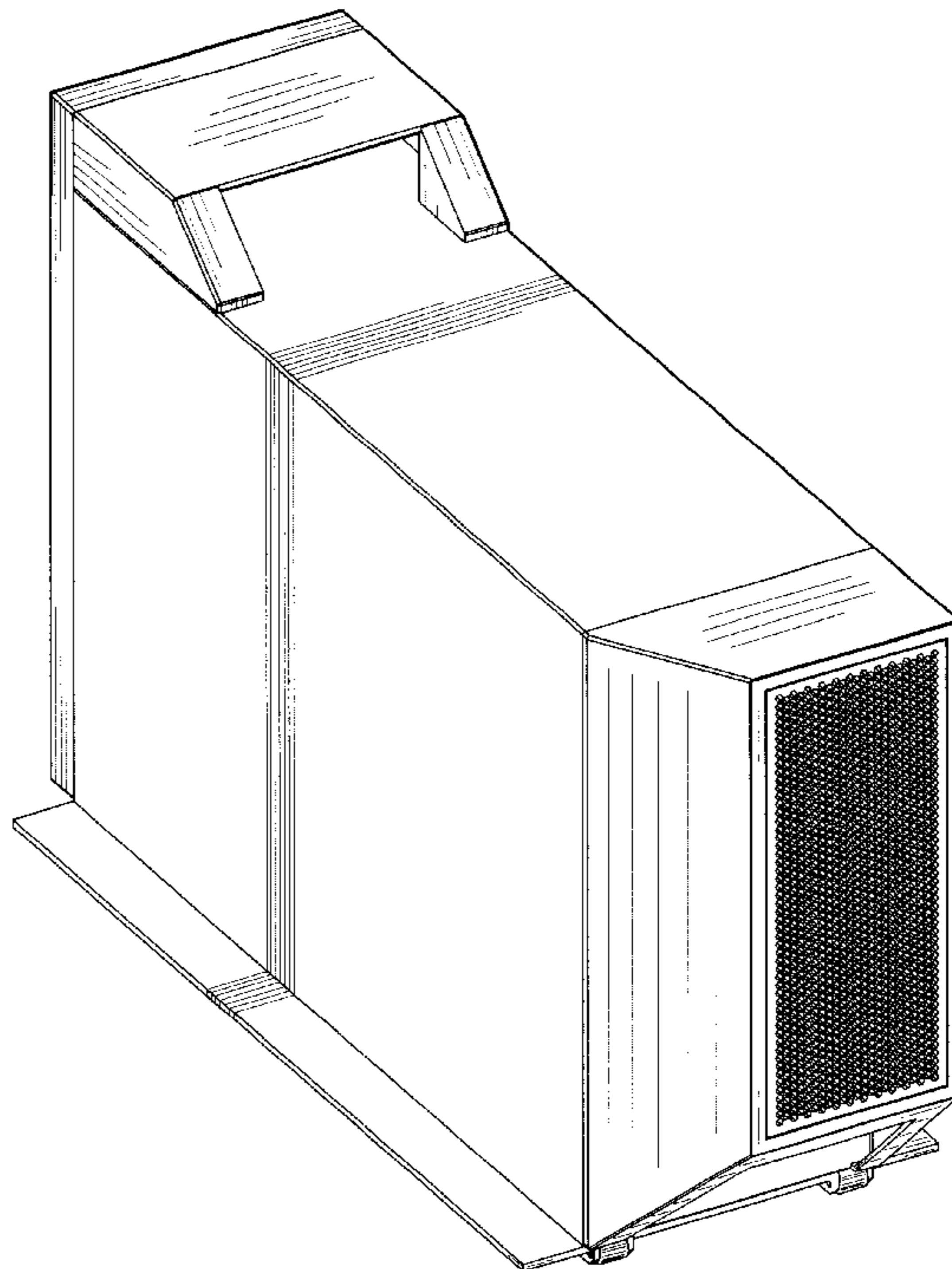
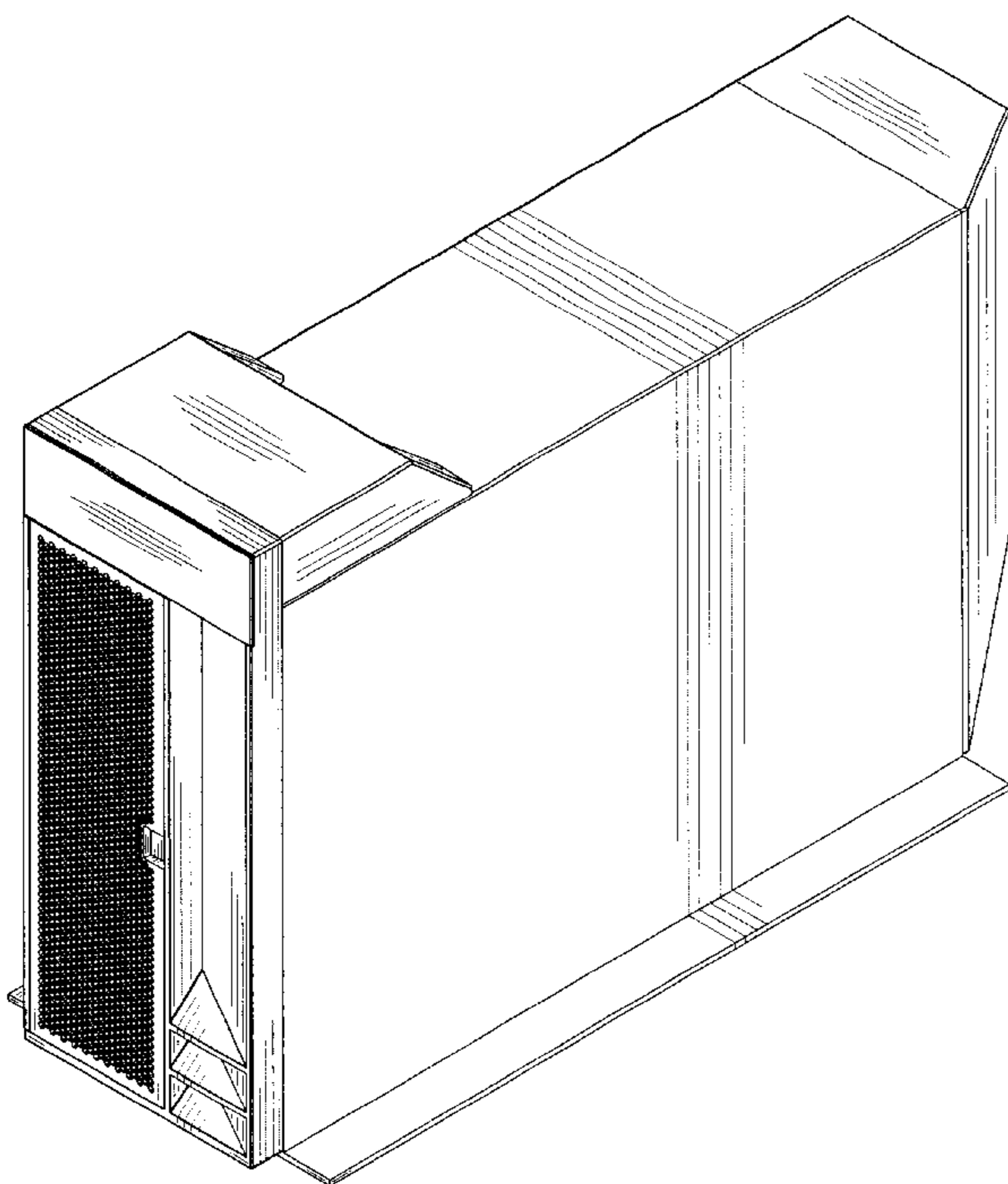
(57) **CLAIM**

The ornamental design for a computer processor enclosure, as shown and described.

DESCRIPTION

FIG. 1 is a front isometric view of a computer processor enclosure, showing our new design;
FIG. 2 is a front view thereof;
FIG. 3 is a left view thereof;
FIG. 4 is a top plan view thereof;
FIG. 5 is a back view thereof; and,
FIG. 6 is a rear isometric view thereof.
The right view is similar to the left view illustrated in FIG. 3.

1 Claim, 6 Drawing Sheets



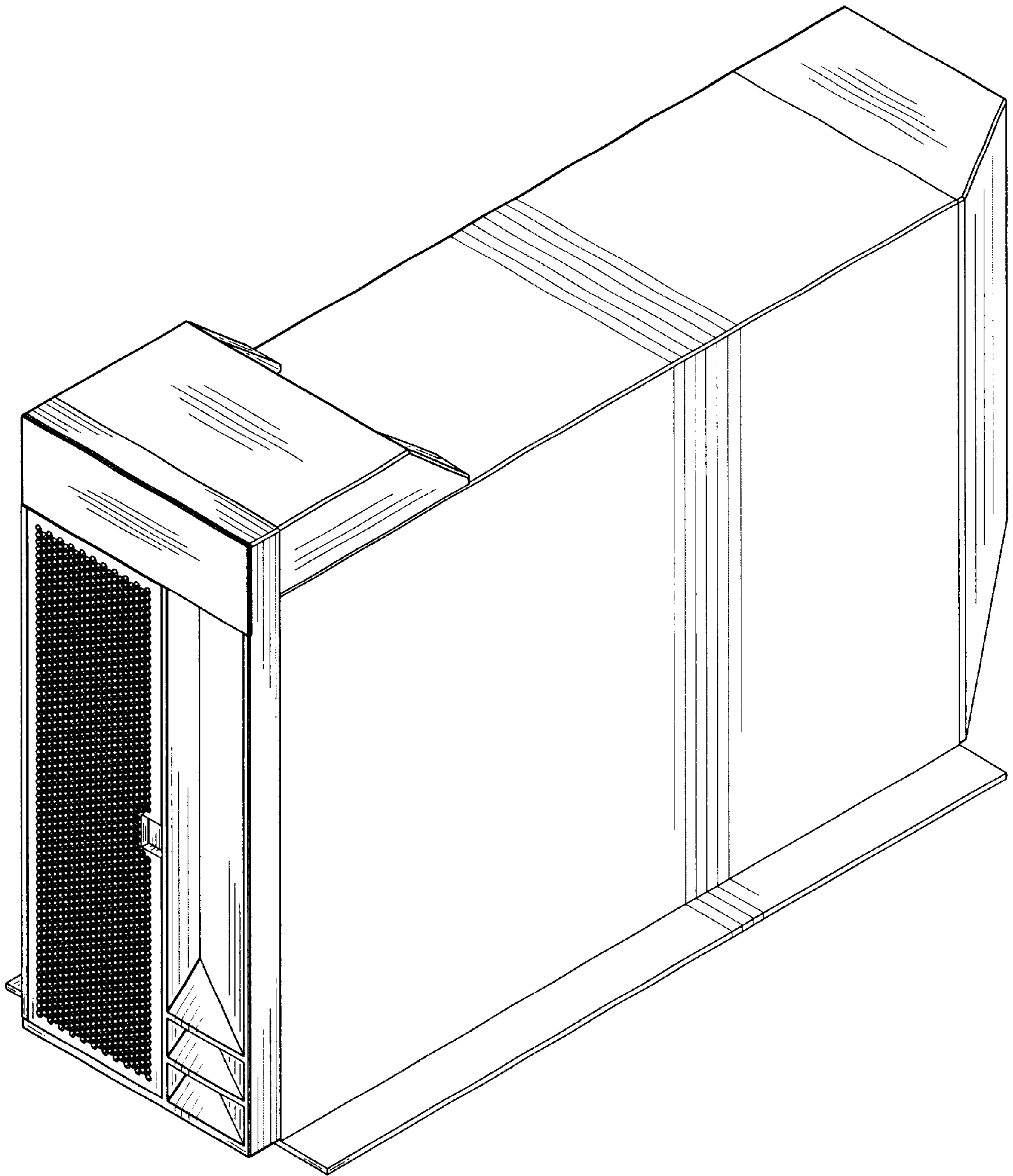


FIG. 1

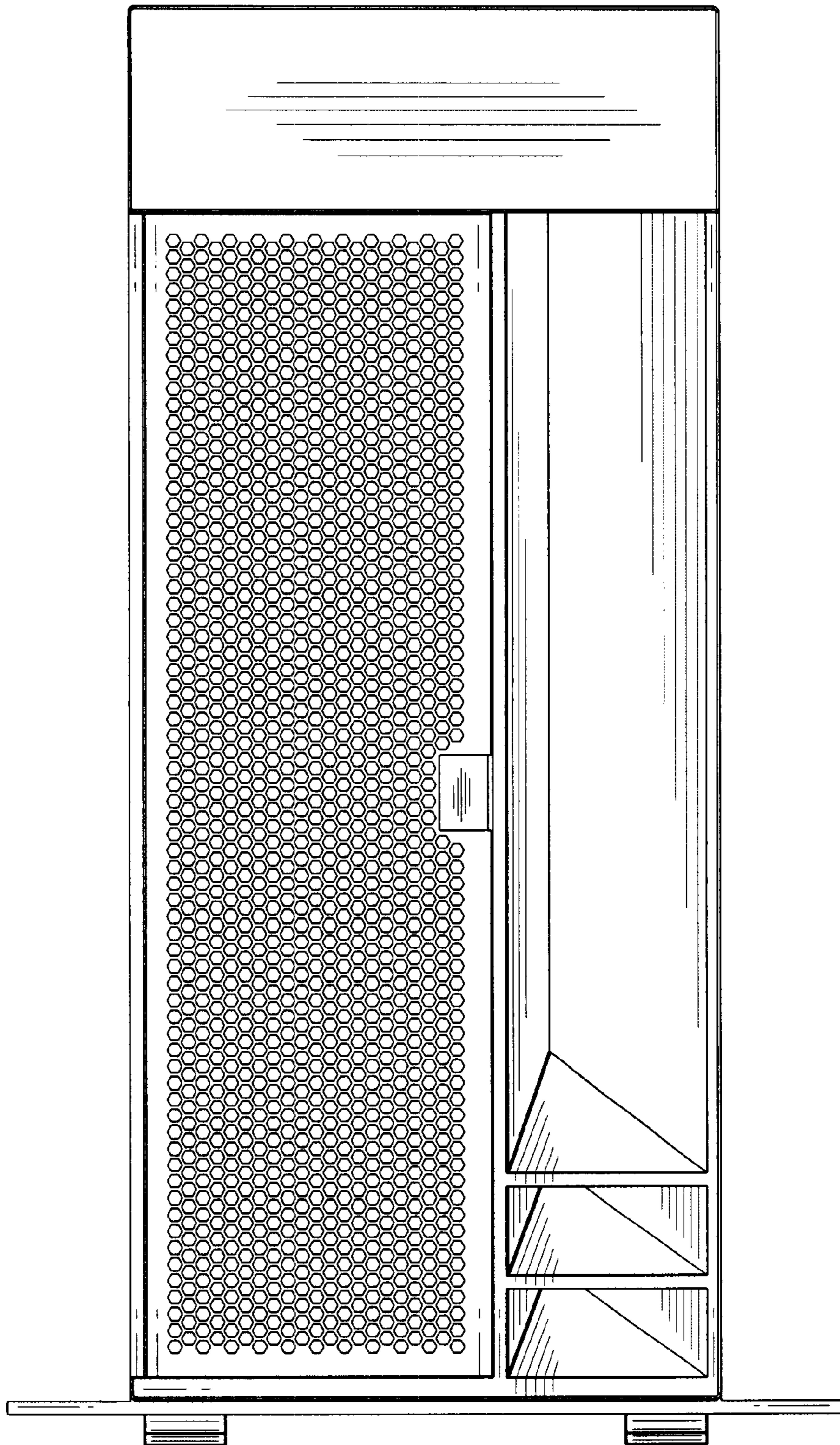


FIG. 2

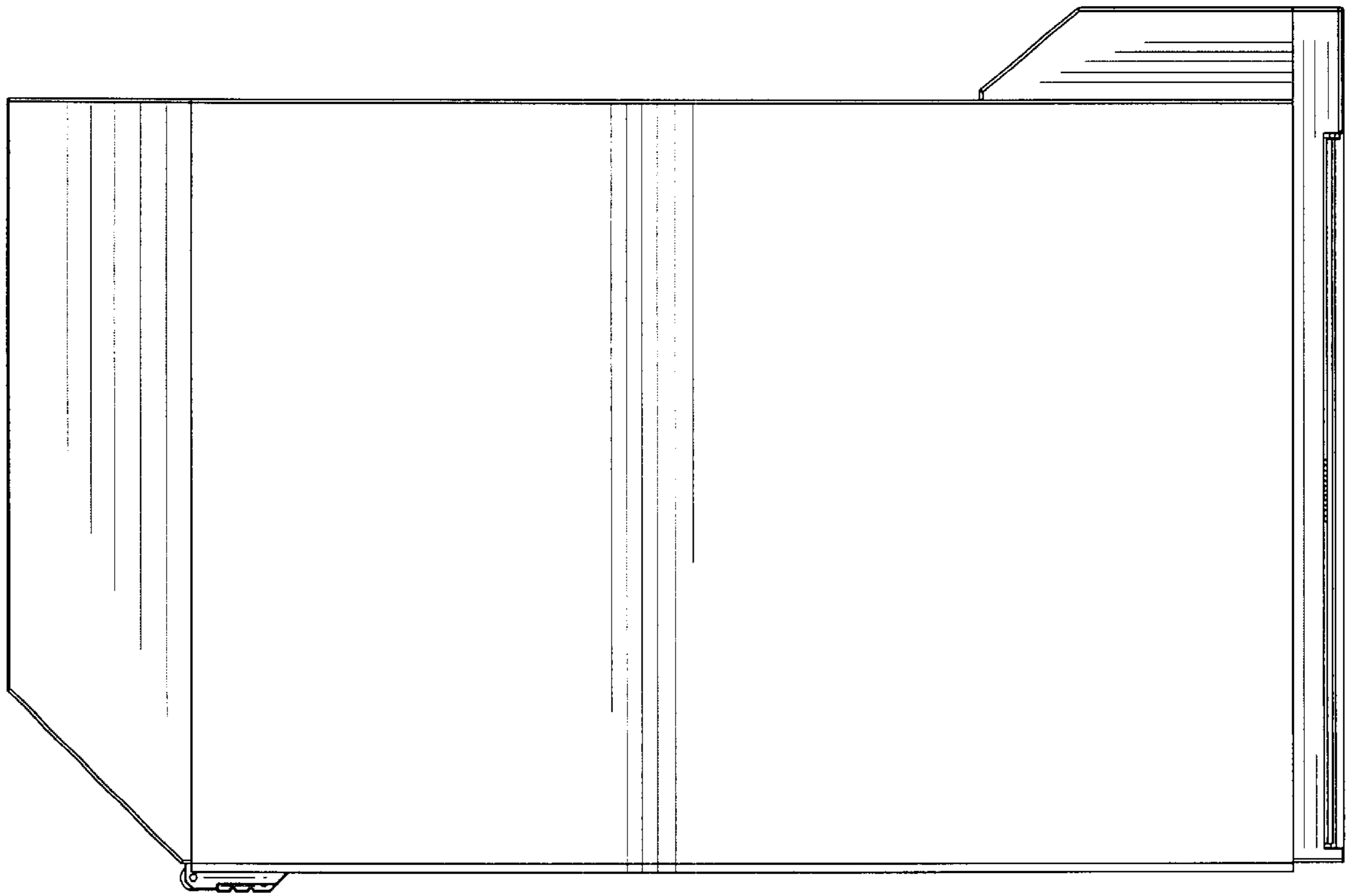


FIG. 3

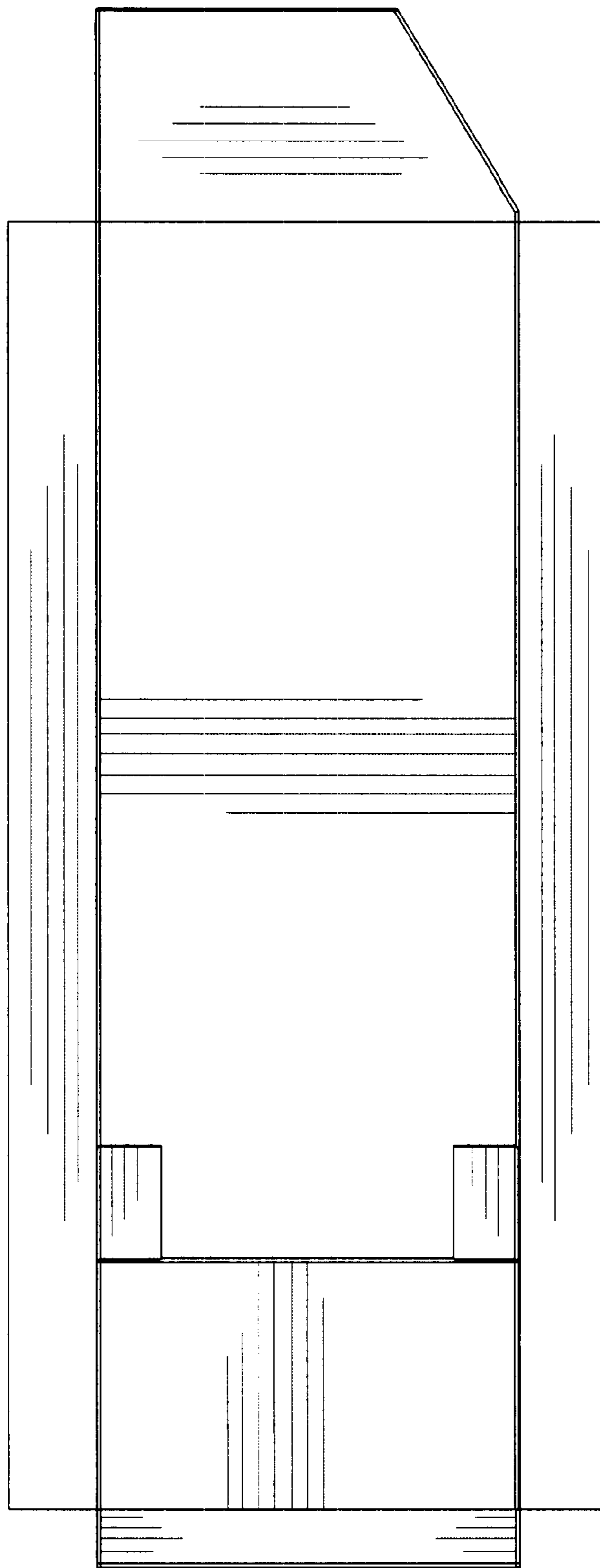


FIG. 4

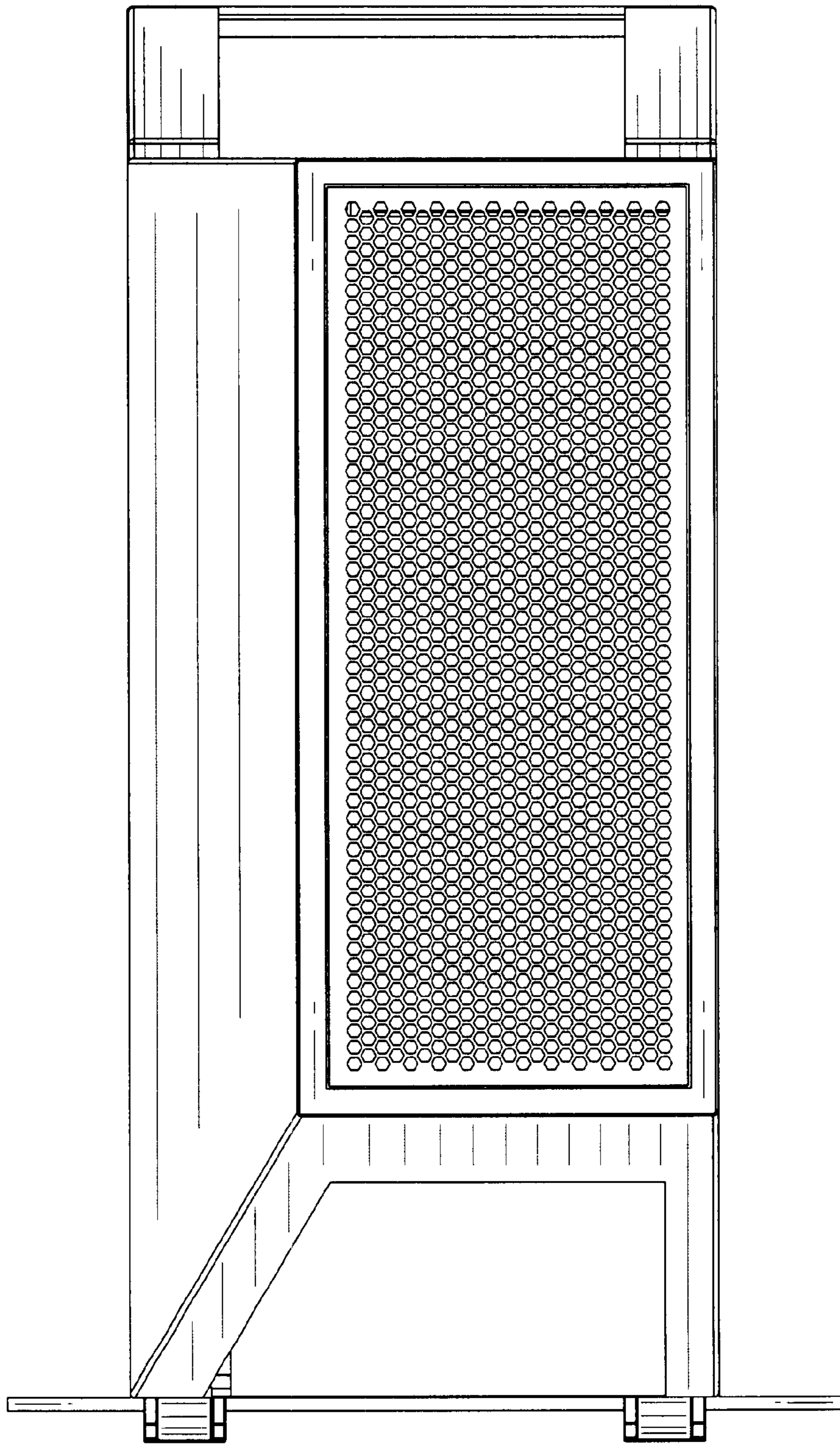


FIG. 5

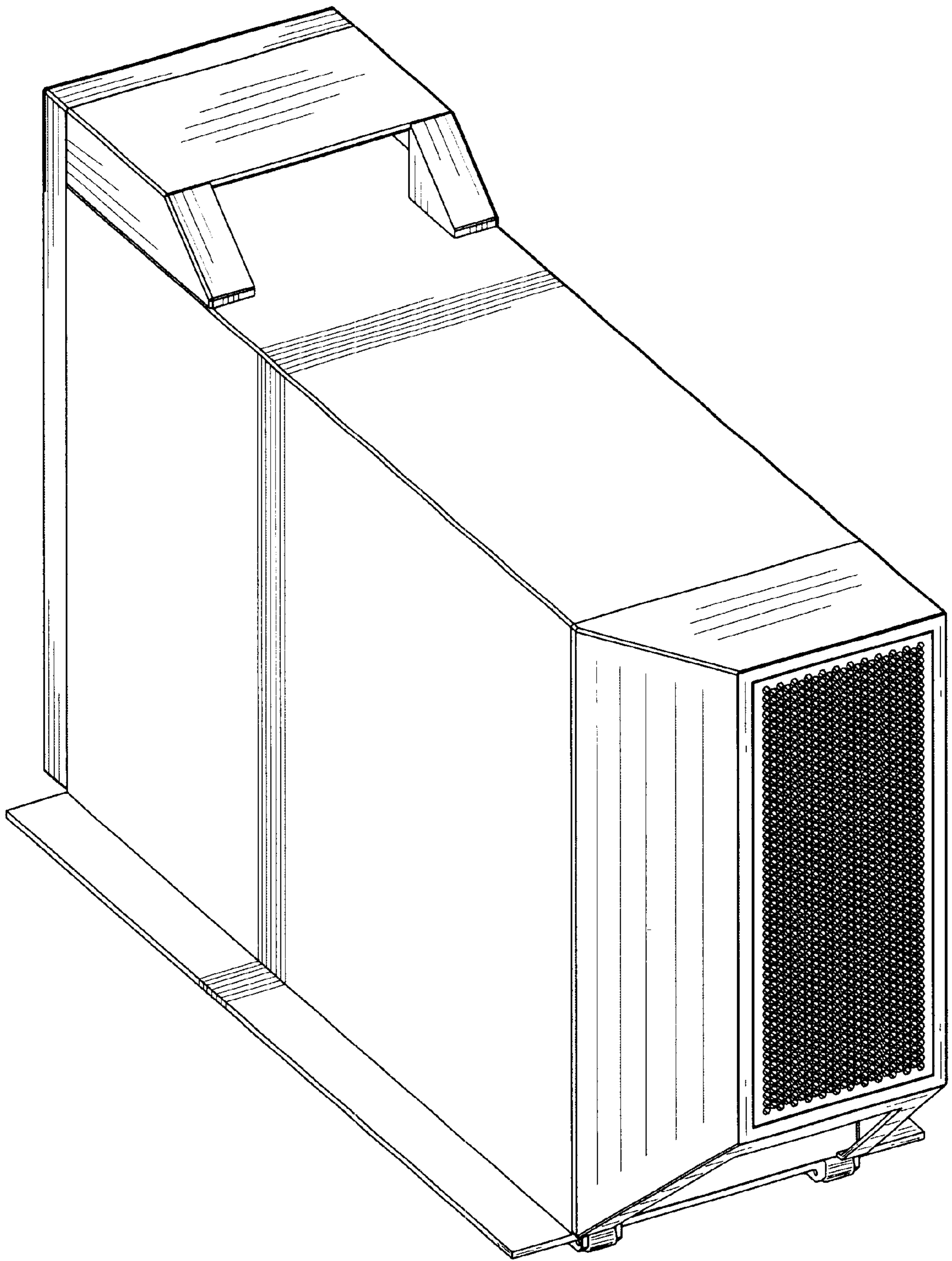


FIG. 6