



US00D477591S

(12) **United States Design Patent**
Hung

(10) **Patent No.:** **US D477,591 S**

(45) **Date of Patent:** **** Jul. 22, 2003**

(54) **REMOTE-CONTROL COMMAND**

(75) Inventor: **Yu-Yuan Hung**, Taipei Hsien (TW)

(73) Assignee: **Proton Communications Technologies, Inc.**, Taipei Hsien (TW)

(**) Term: **14 Years**

(21) Appl. No.: **29/168,678**

(22) Filed: **Oct. 8, 2002**

(51) **LOC (7) Cl.** **14-03**

(52) **U.S. Cl.** **D14/218**

(58) **Field of Search** D14/174, 217,
D14/218, 137-139, 151, 191-193, 124,
299, 167-168; D13/168, 162-164; D21/512-517,
566; D10/104, 106; 455/352-355, 151.1-151.4;
348/114, 734

(56) **References Cited**

U.S. PATENT DOCUMENTS

- D395,250 S * 6/1998 Kabler et al. D10/65
- D450,388 S * 11/2001 Nakanishi et al. D24/200

OTHER PUBLICATIONS

Sound and Vision May 2001 vol. 66 p. 26 Proton remote control.*

Sound and Vision Nov. 2001 vol 66 p. 56 Remote control.*

* cited by examiner

Primary Examiner—Louis S. Zarfes

Assistant Examiner—Deanne Levy

(74) *Attorney, Agent, or Firm*—Bacon & Thomas, PLLC

(57) **CLAIM**

The ornamental design for remote-control command, as shown and described.

DESCRIPTION

FIG. 1 is a perspective view of remote-control command showing my new design.

FIG. 2 is a front elevational view thereof;

FIG. 3 is a rear elevational view thereof;

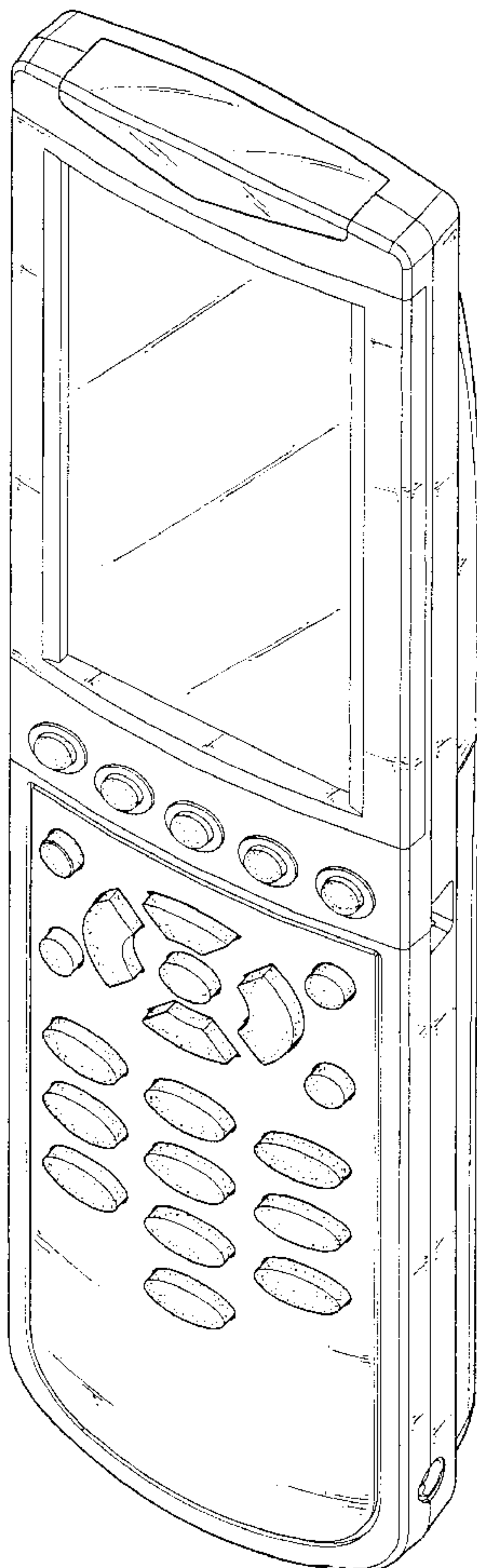
FIG. 4 is a left side elevational view thereof;

FIG. 5 is a right side elevational view thereof;

FIG. 6 is a top plan view thereof; and,

FIG. 7 is a bottom plan view thereof.

1 Claim, 4 Drawing Sheets



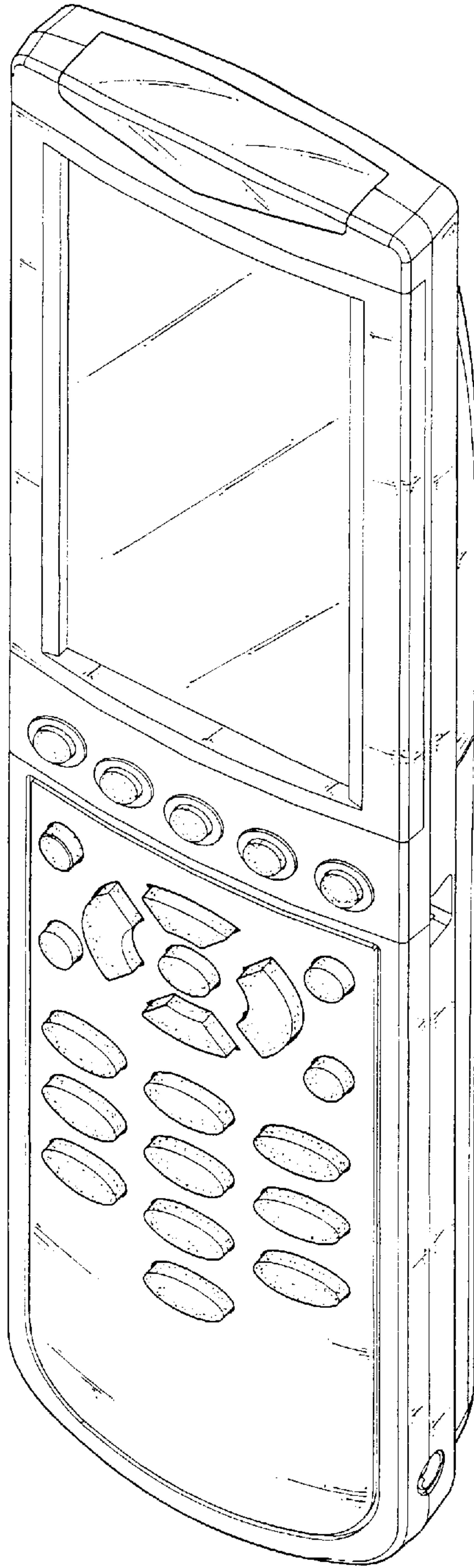


FIG. 1

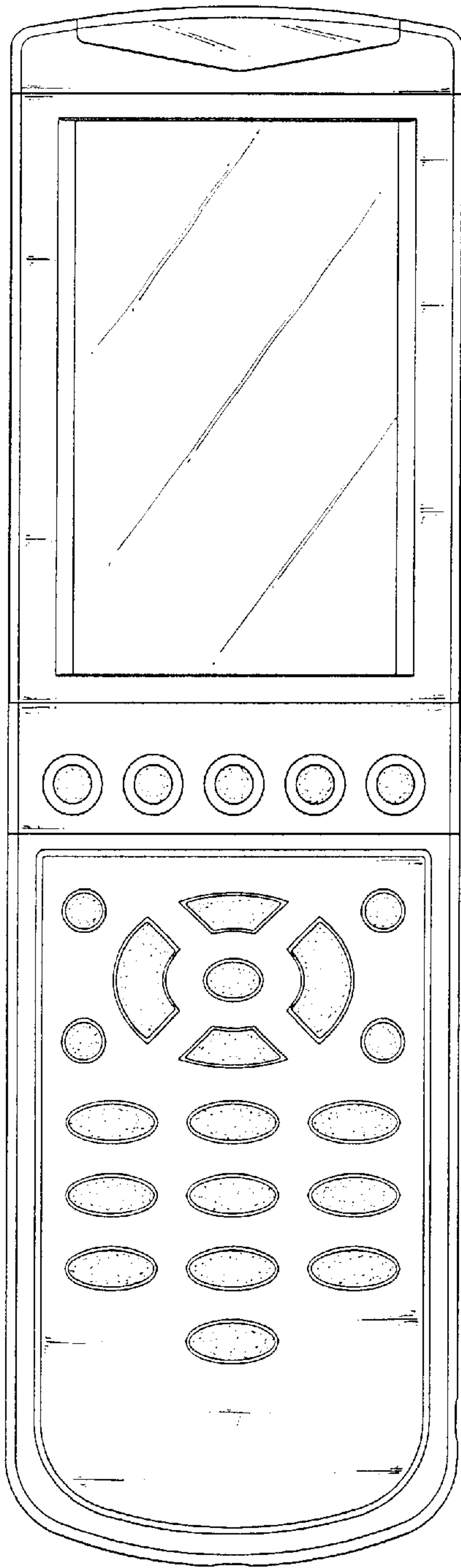


FIG. 2

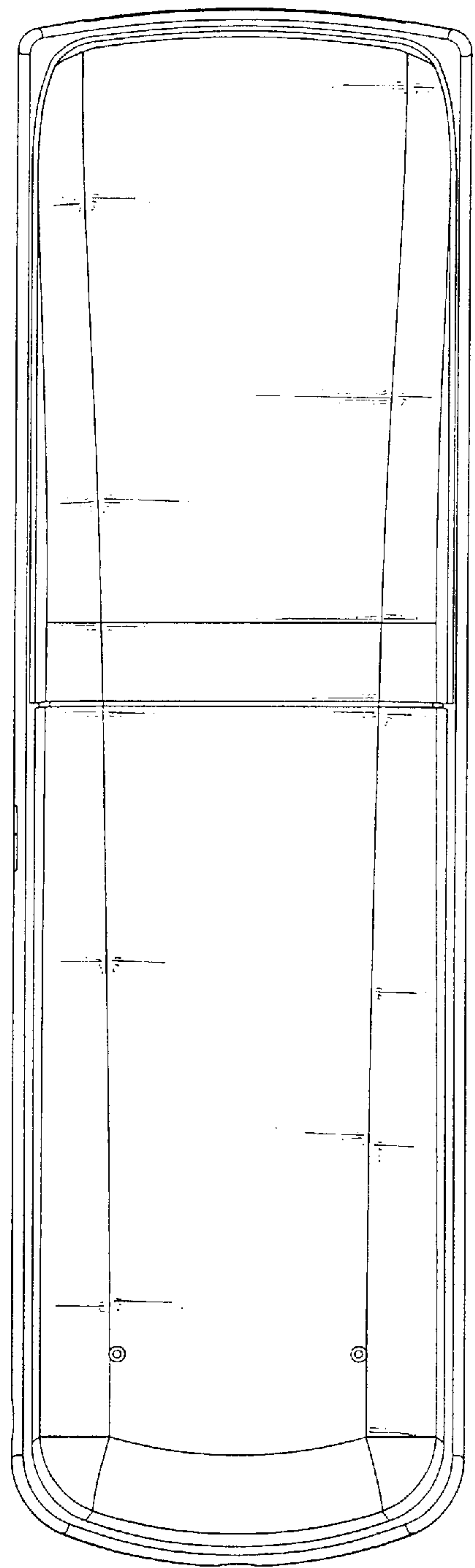


FIG. 3

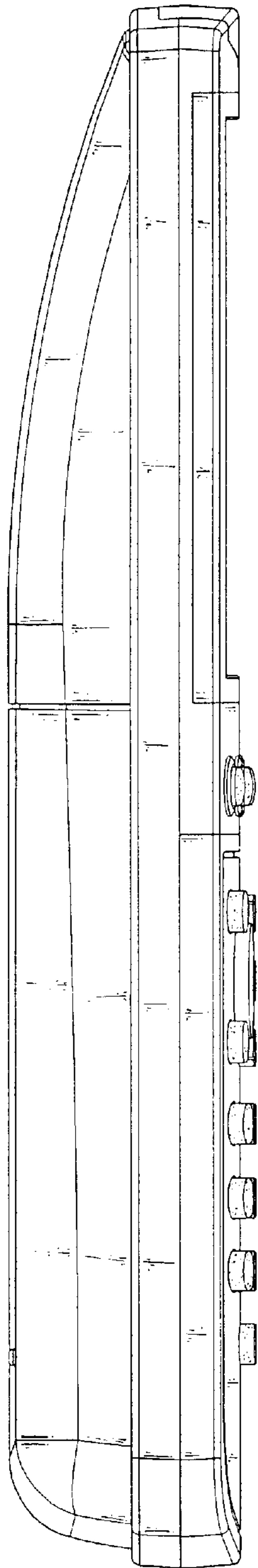


FIG. 4

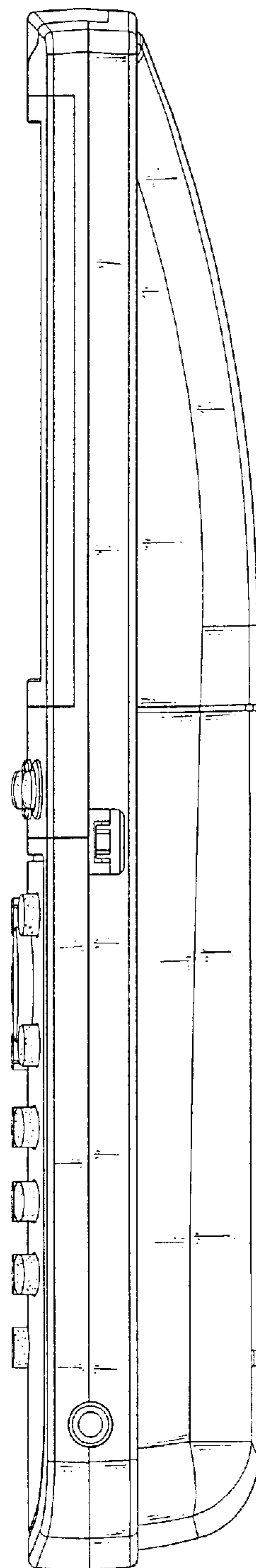


FIG. 5

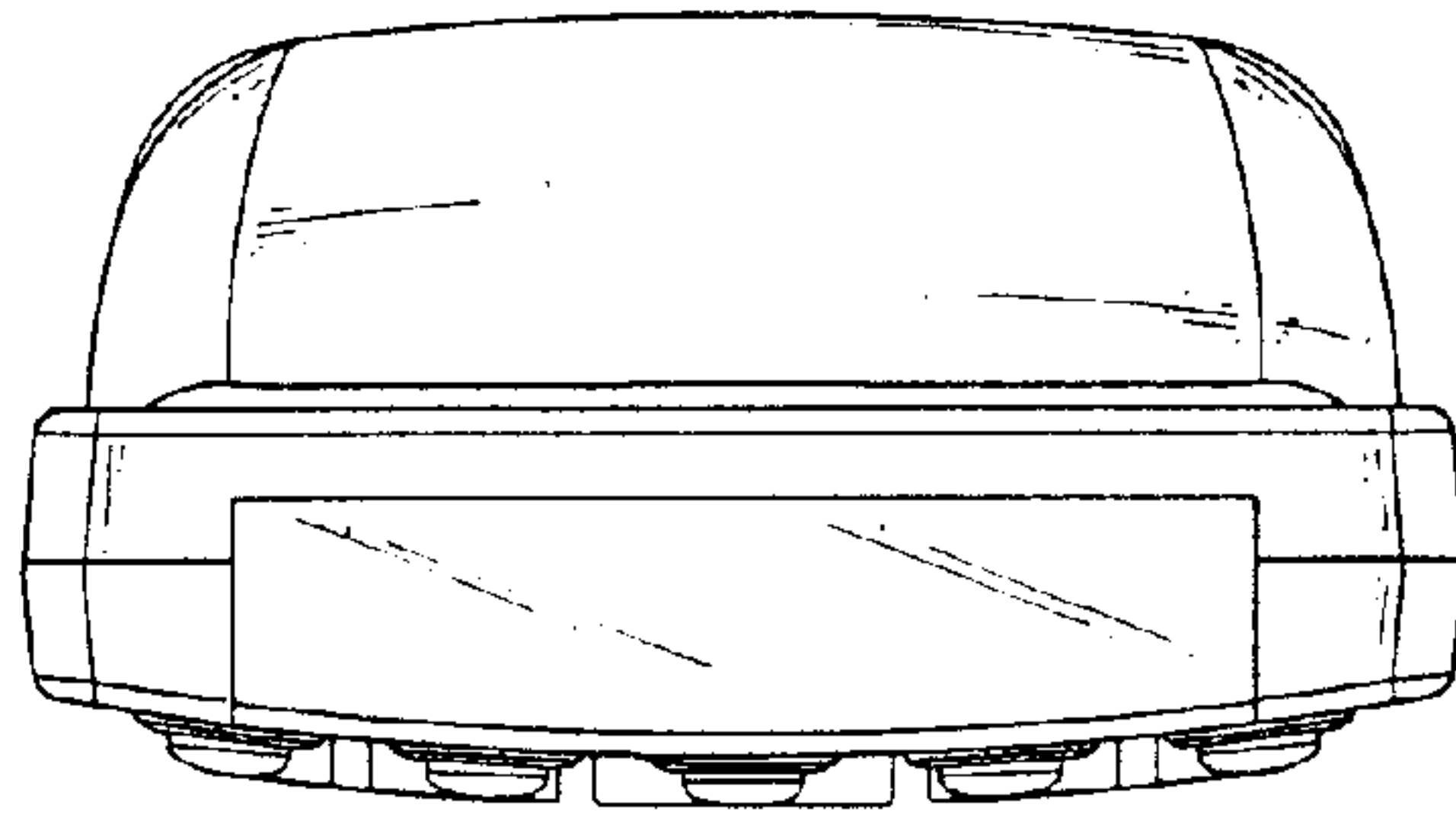


FIG. 6

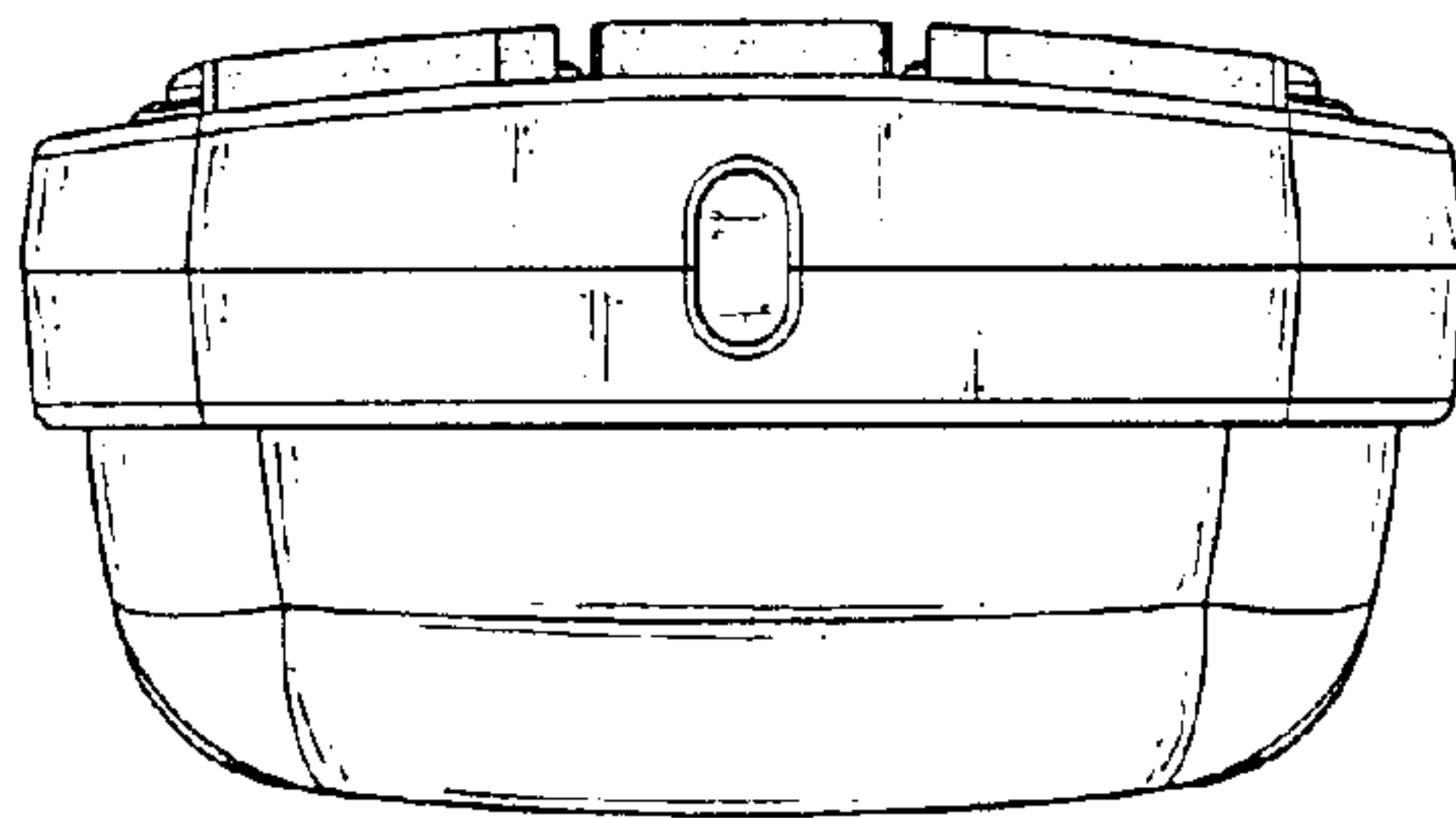


FIG. 7