



US00D477586S

(12) **United States Design Patent**
Sogabe

(10) **Patent No.:** **US D477,586 S**

(45) **Date of Patent:** **** Jul. 22, 2003**

(54) **AMPLIFIER**

(75) Inventor: **Takashi Sogabe**, Tokyo (JP)

(73) Assignee: **Sony Corporation**, Tokyo (JP)

(**) Term: **14 Years**

(21) Appl. No.: **29/166,020**

(22) Filed: **Aug. 22, 2002**

(51) **LOC (7) Cl.** **14-03**

(52) **U.S. Cl.** **D14/188**

(58) **Field of Search** D14/188, 193-198,
D14/299; 455/344, 347, 348, 350, 351,
79, 90, 575

(56) **References Cited**

U.S. PATENT DOCUMENTS

4,310,923	A	*	1/1982	Kennedy	455/575
D279,290	S	*	6/1985	Nagele	D14/139
5,285,500	A	*	2/1994	Mantz	455/346
D396,720	S		8/1998	Yuyama		
D415,493	S	*	10/1999	Shieber	D14/188
D416,903	S	*	11/1999	Kizawa	D14/188
D422,589	S	*	4/2000	Jeon	D14/188
D431,033	S	*	9/2000	Takahashi et al.	D14/188
D431,816	S	*	10/2000	Beaumont et al.	D14/188
D446,204	S	*	8/2001	Smith	D14/188

OTHER PUBLICATIONS

Web page "Kenwood Car Audio & AV" http://www.kenwood.co.jp/j/products/car_audio/amp/kac_849/index.html, 1 sheet, KENWOOD (Apr. 2002).

Web page "Sony Car Audio" <http://www.sony.jp/products/me/contents/caraudio/amp.html>, 1 sheet, SONY (2001).

Web page "Speakers" <http://www.nakamichi.co.jp/mass/pa-sp.html>, 1 sheet, NAKAMICHI (May 2002).

* cited by examiner

Primary Examiner—Prabhakar Deshmukh

(74) *Attorney, Agent, or Firm*—Rader, Fishman & Grauer PLLC

(57) **CLAIM**

The ornamental design for an amplifier, as shown and described.

DESCRIPTION

FIG. 1 is a perspective view of an amplifier showing my new design;

FIG. 2 is a front elevational view thereof;

FIG. 3 is a left side elevational view thereof;

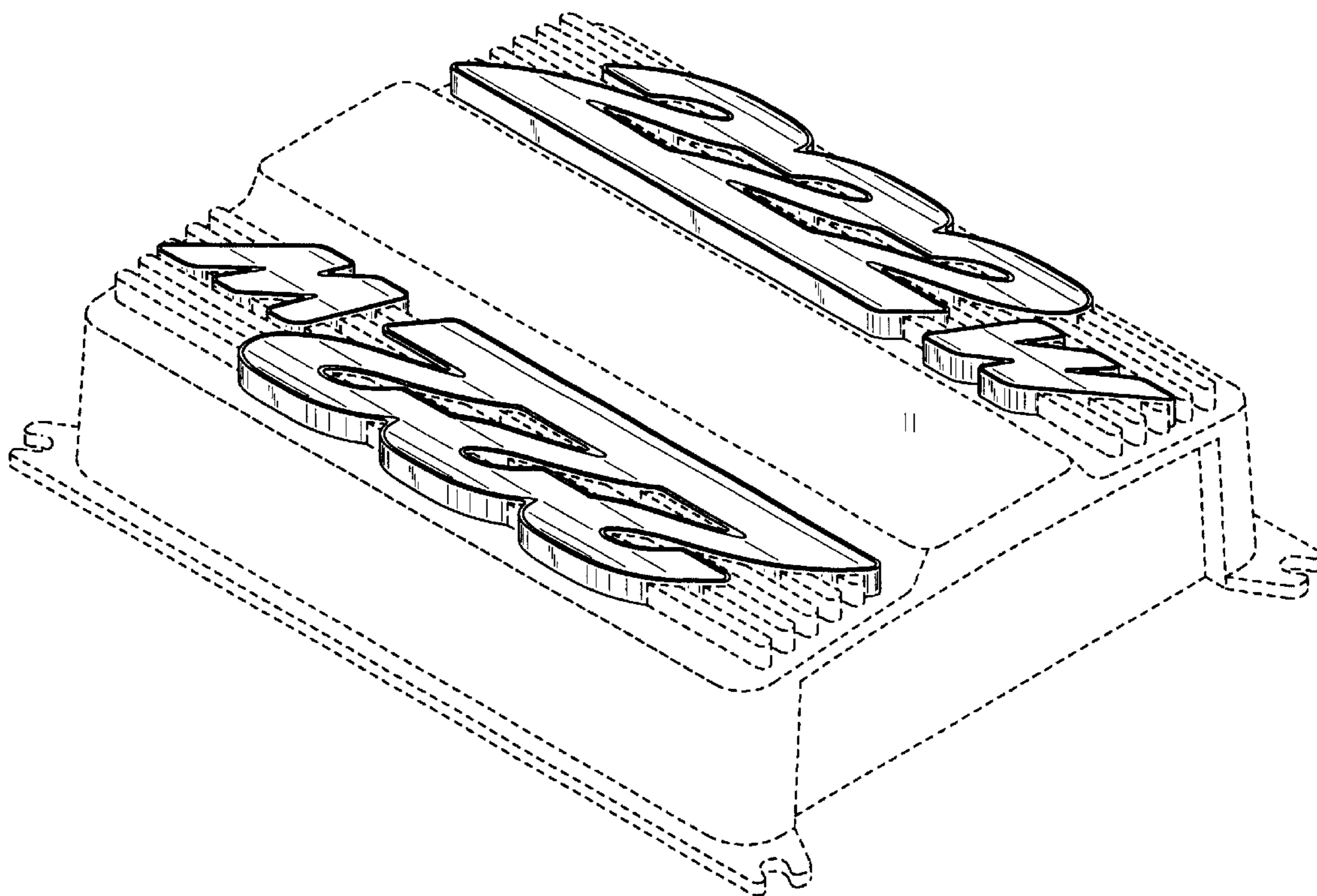
FIG. 4 is a right side elevational view thereof;

FIG. 5 is a top plan view thereof; and,

FIG. 6 is a bottom plan view thereof.

The broken lines are for illustrative purpose only and form no part of the claimed design.

1 Claim, 4 Drawing Sheets



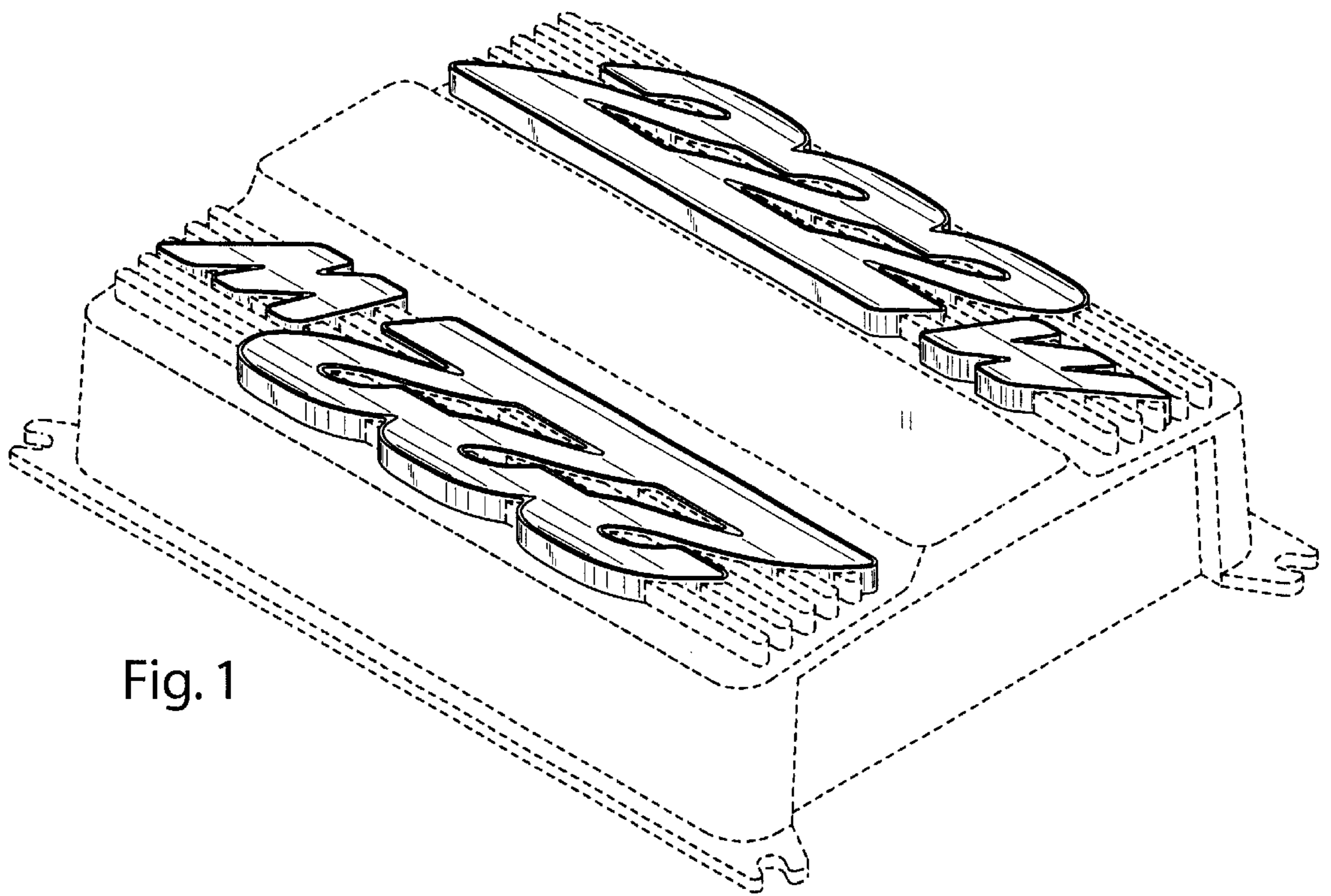


Fig. 1

Fig. 2

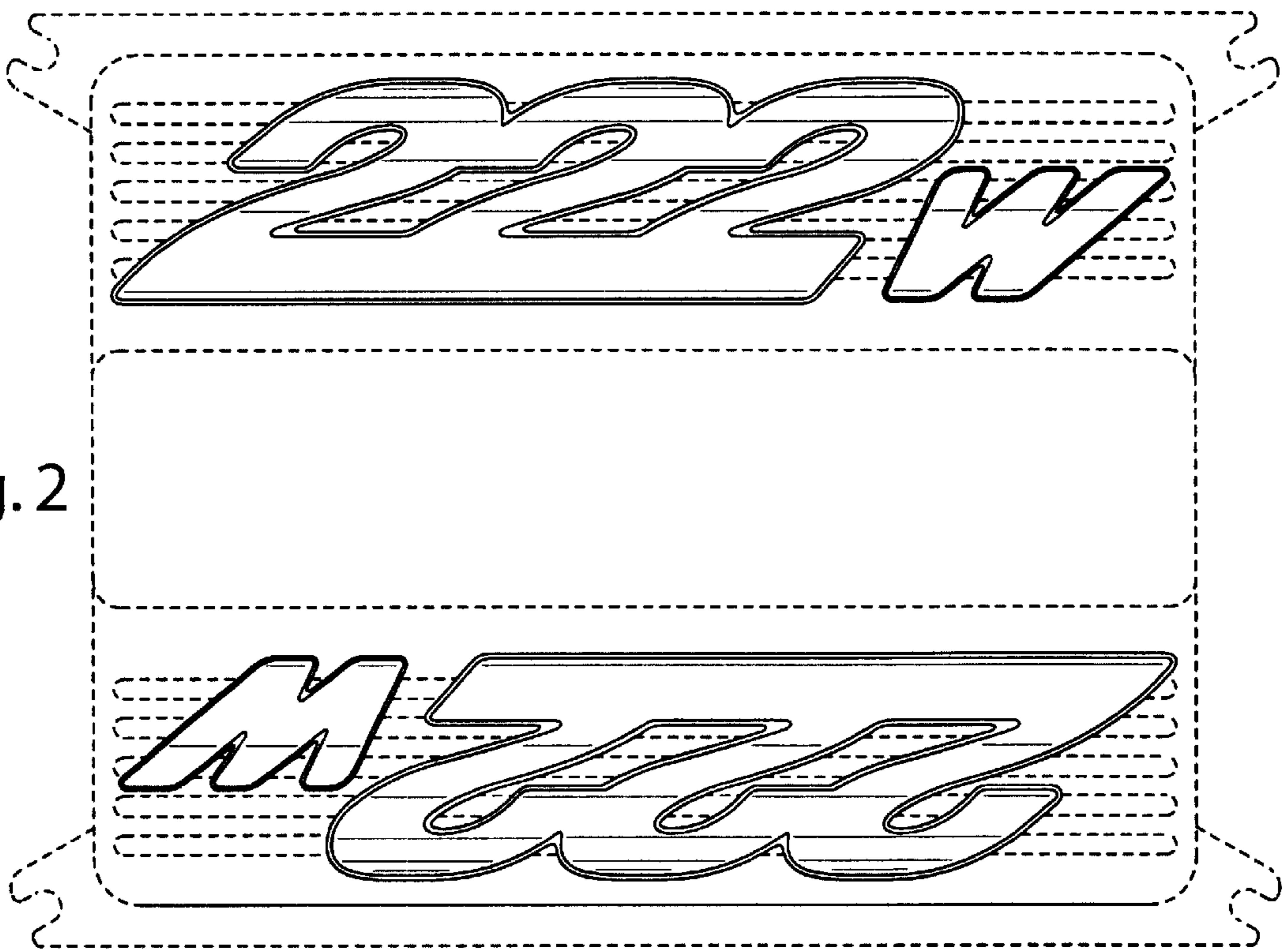


Fig. 3

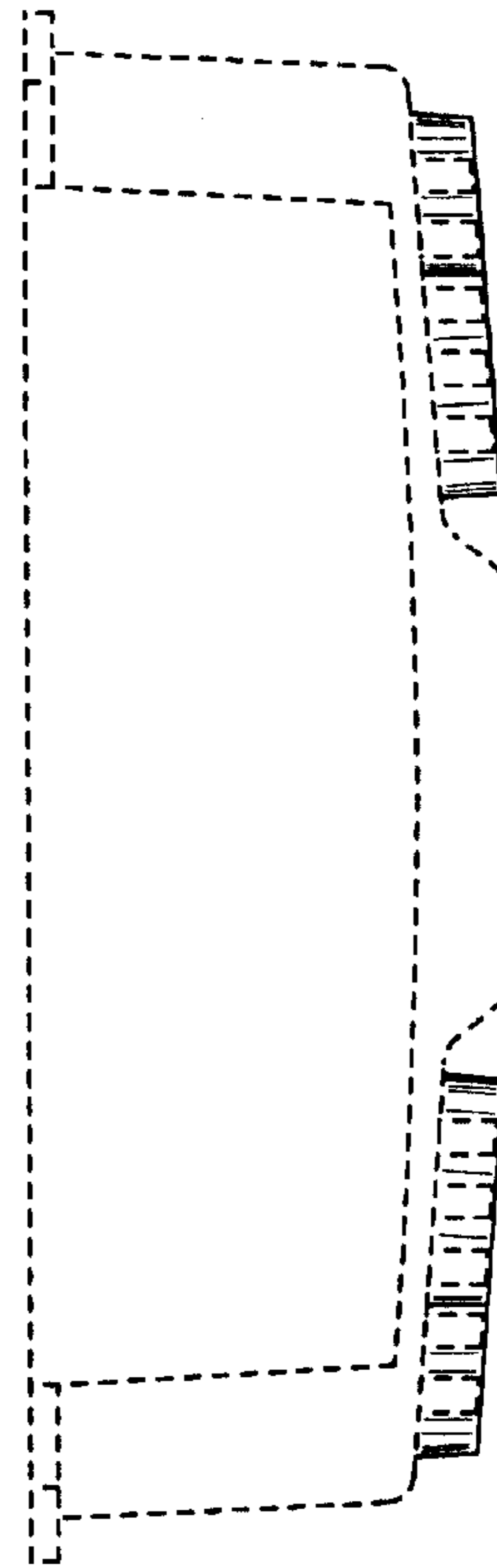
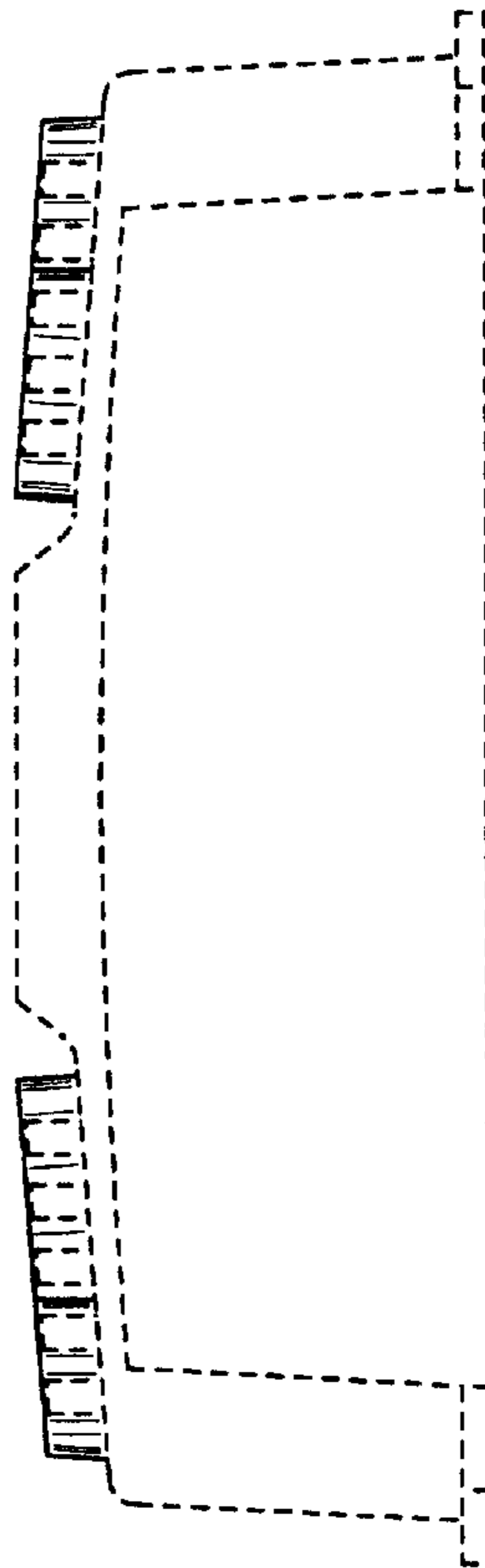


Fig. 4



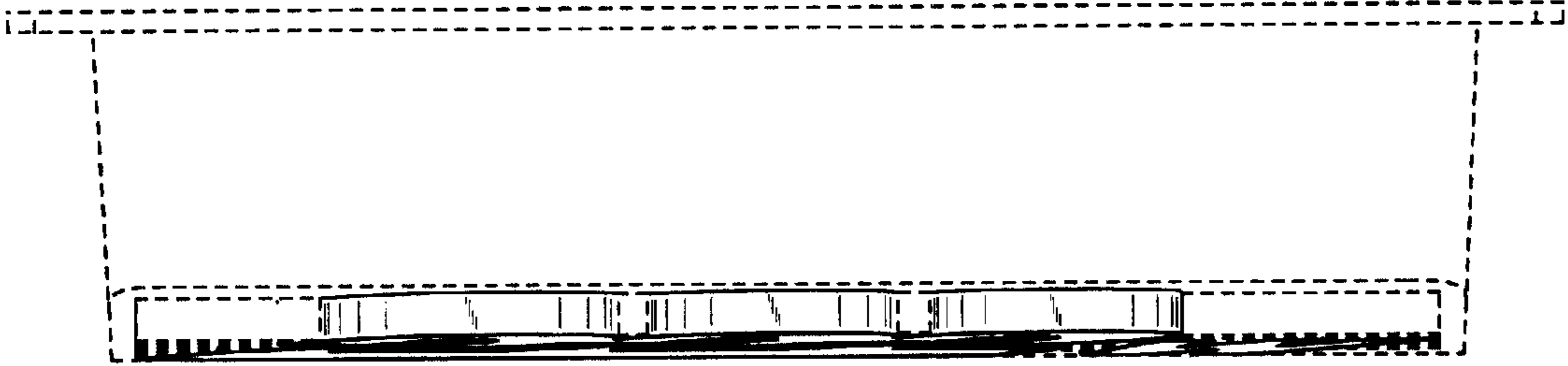


Fig. 5

Fig. 6

