



US00D477571S

(12) **United States Design Patent**
Huang et al.

(10) **Patent No.:** **US D477,571 S**

(45) **Date of Patent:** **** Jul. 22, 2003**

(54) **ELECTRICAL CONNECTOR**

(75) Inventors: **Wayne Huang**, Alhambra, CA (US);
Caroli F. Ongcho, Cypress, CA (US)

(73) Assignee: **Hon Hai Precision Ind. Co., Ltd.**,
Taipei Hsien (TW)

(**) Term: **14 Years**

(21) Appl. No.: **29/146,144**

(22) Filed: **Aug. 3, 2001**

(51) **LOC (7) Cl.** **13-03**

(52) **U.S. Cl.** **D13/147**

(58) **Field of Search** D13/146, 147;
439/352, 354, 358

(56) **References Cited**

U.S. PATENT DOCUMENTS

D434,380 S	*	11/2000	Watanabe	D13/147
6,165,006 A	*	12/2000	Yeh et al.	439/490
6,174,190 B1	*	1/2001	Tharp et al.	439/352
6,347,964 B1	*	2/2002	Kuan	439/680

6,375,496 B1 * 4/2002 Casey et al. 439/541.5

6,394,813 B1 * 5/2002 Stout et al. 439/11

6,394,824 B1 * 5/2002 Huang 439/108

6,398,576 B1 * 6/2002 Hwang et al. 439/354

2002/0028604 A1 * 3/2002 Lo et al. 439/607

* cited by examiner

Primary Examiner—Joel Sincavage

(74) *Attorney, Agent, or Firm*—Wei Te Chung

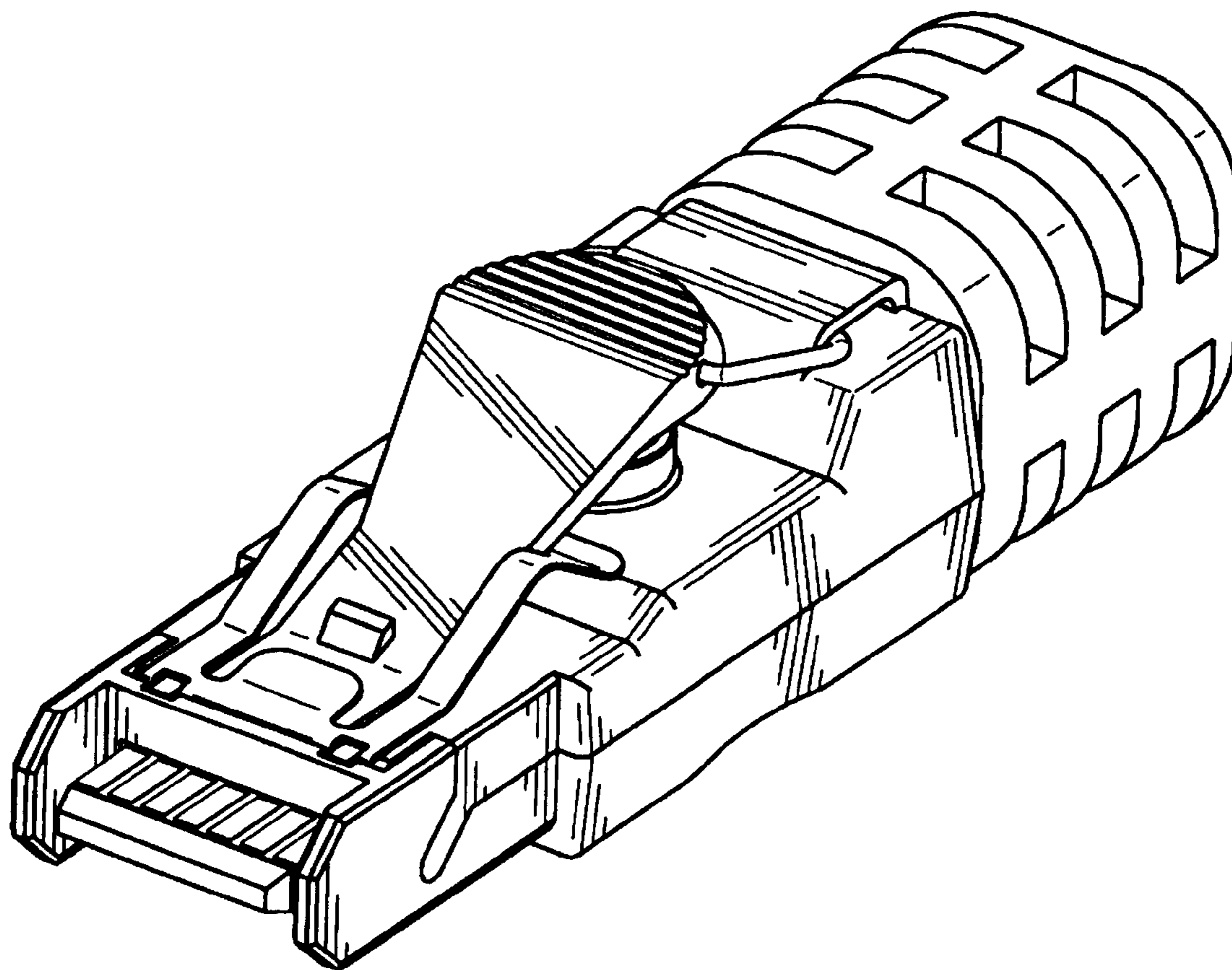
(57) **CLAIM**

The ornamental design for an electrical connector, as shown.

DESCRIPTION

FIG. 1 is a front, top and right side perspective view of an electrical connector showing our new design; FIG. 2 is a front elevational view thereof; FIG. 3 is a rear elevational view thereof; FIG. 4 is a left side elevational view thereof; FIG. 5 is a right side elevational view thereof; FIG. 6 is a top plan view thereof; and, FIG. 7 is a bottom plan view thereof.

1 Claim, 5 Drawing Sheets



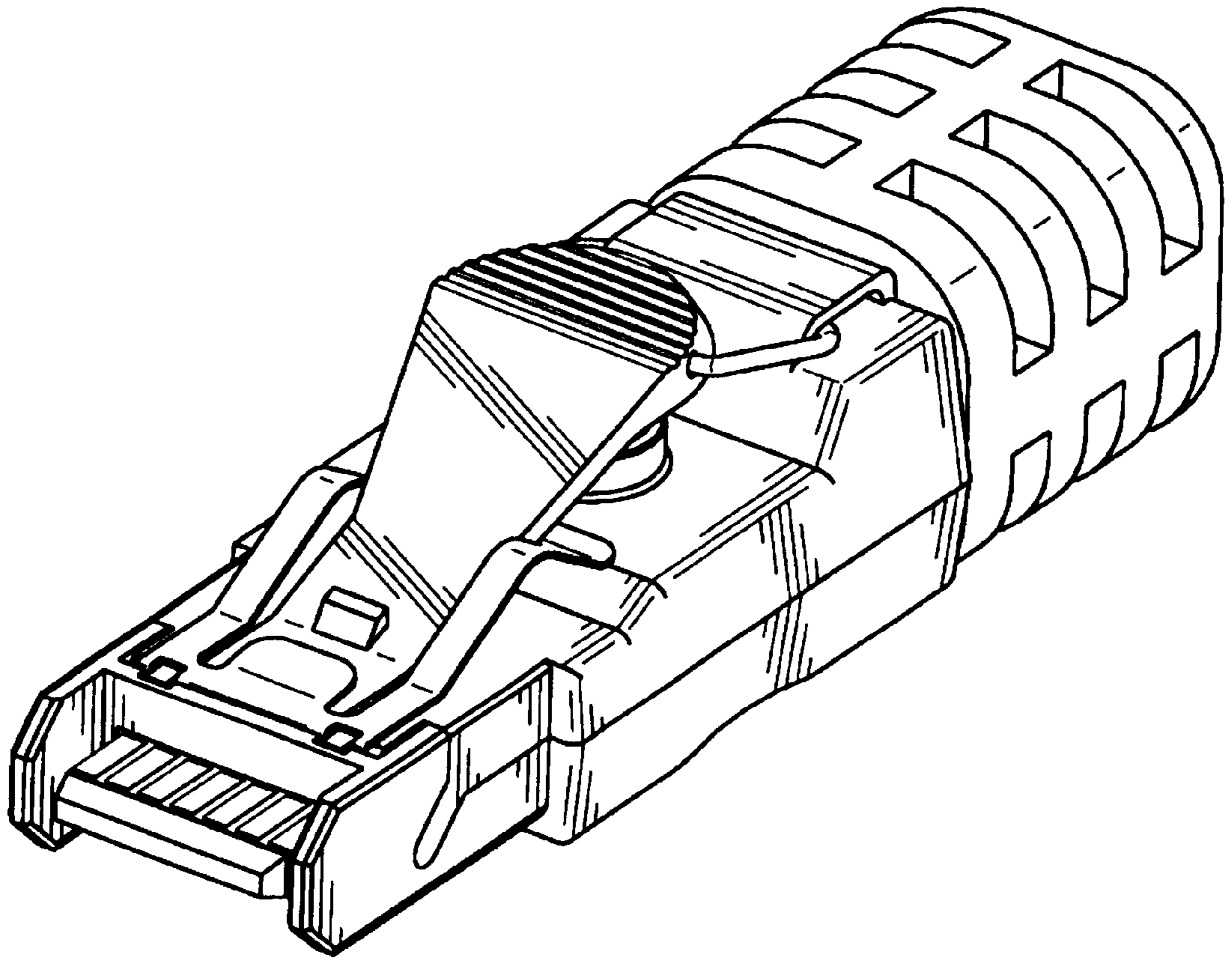


FIG. 1

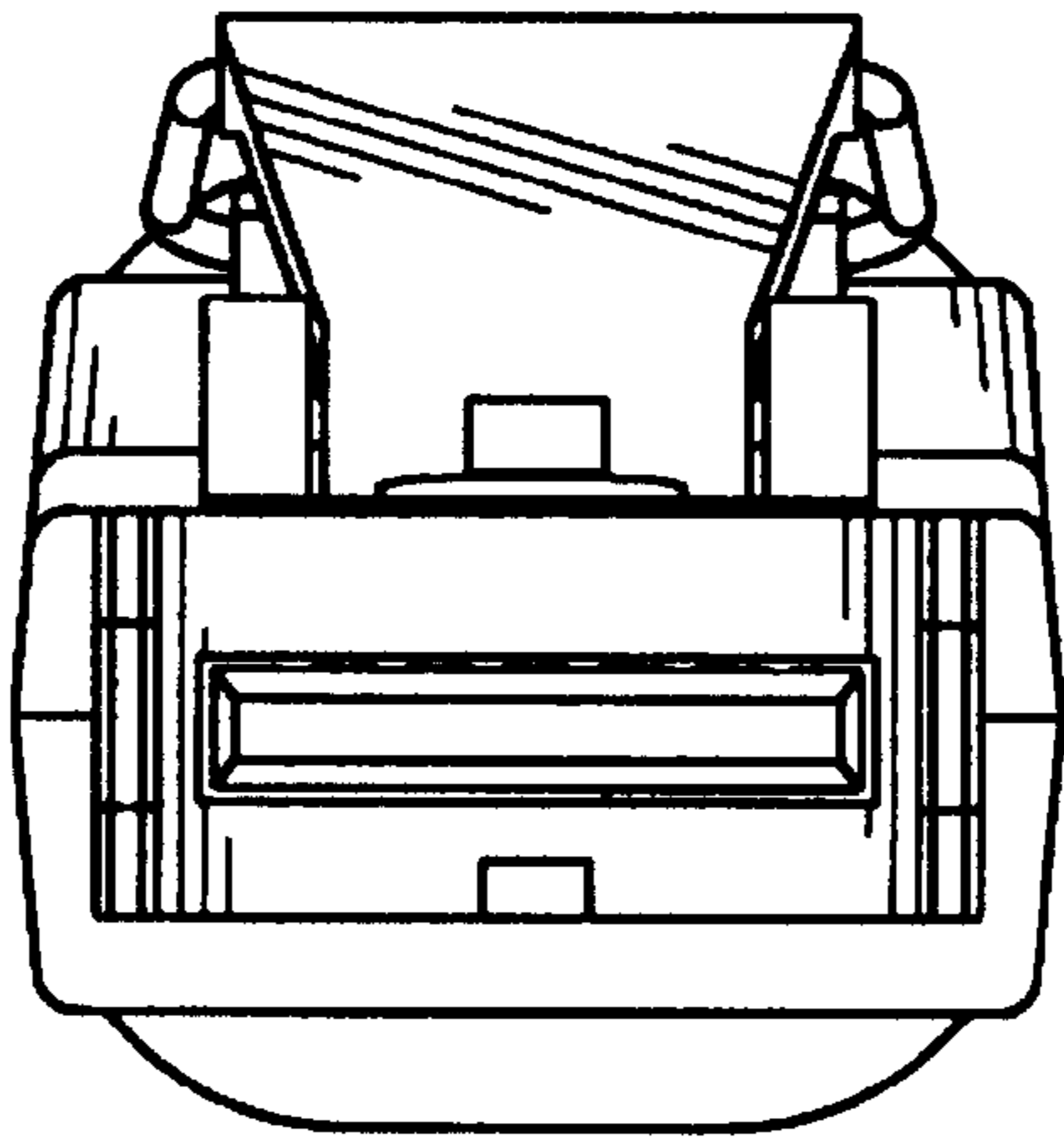


FIG. 2

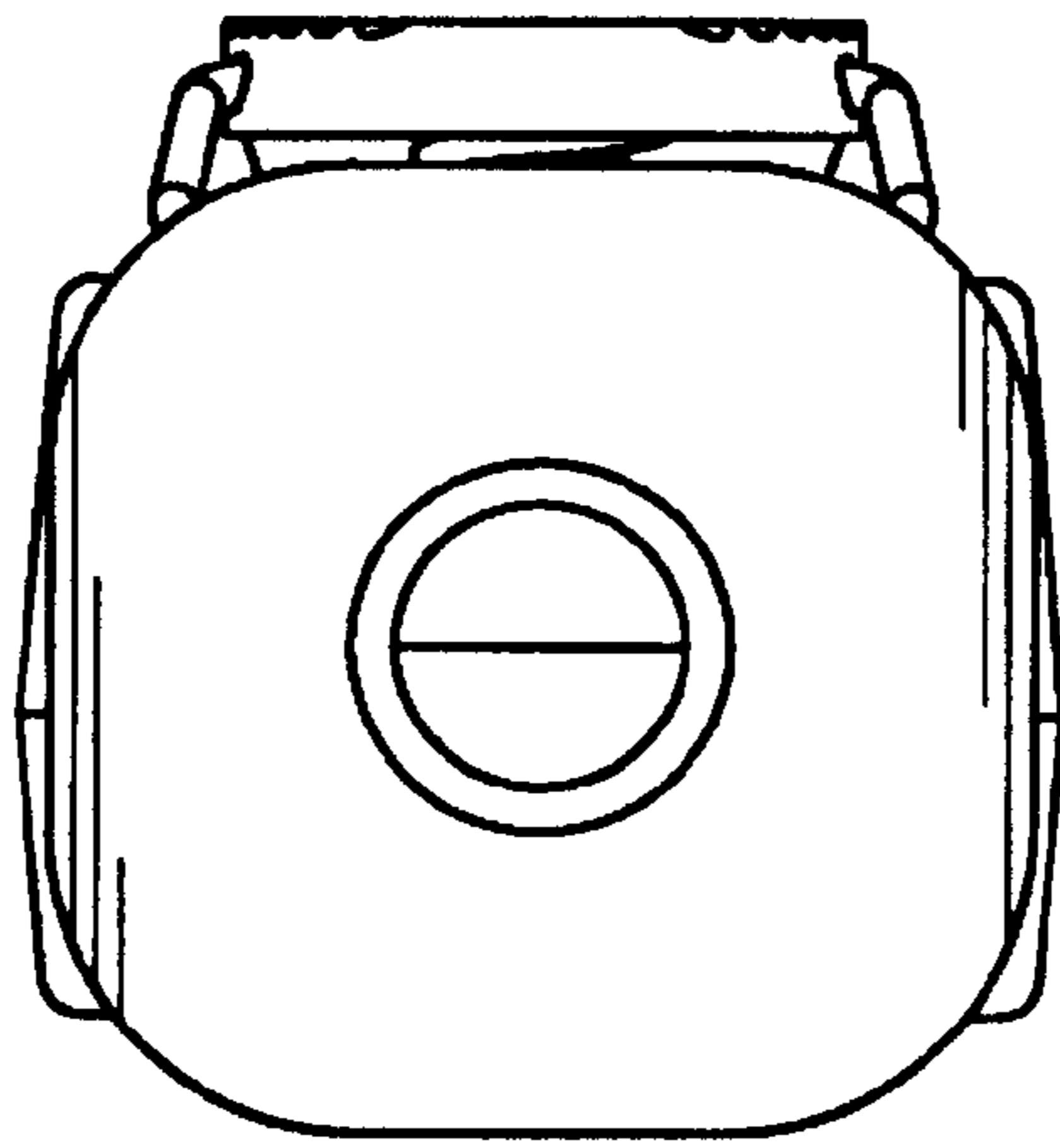


FIG. 3

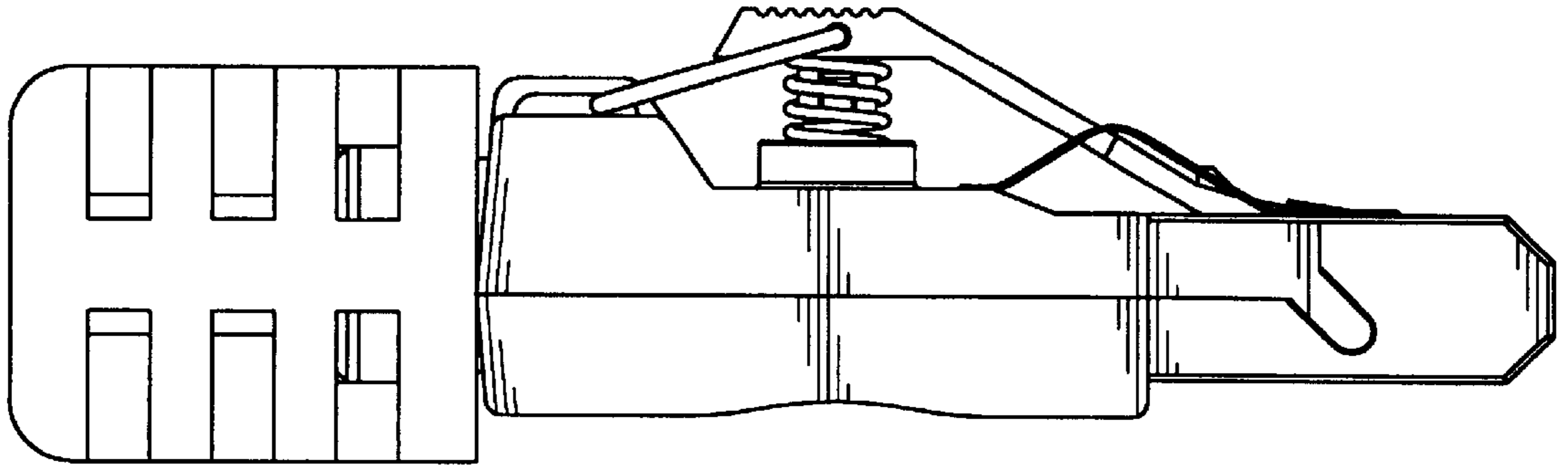


FIG. 4

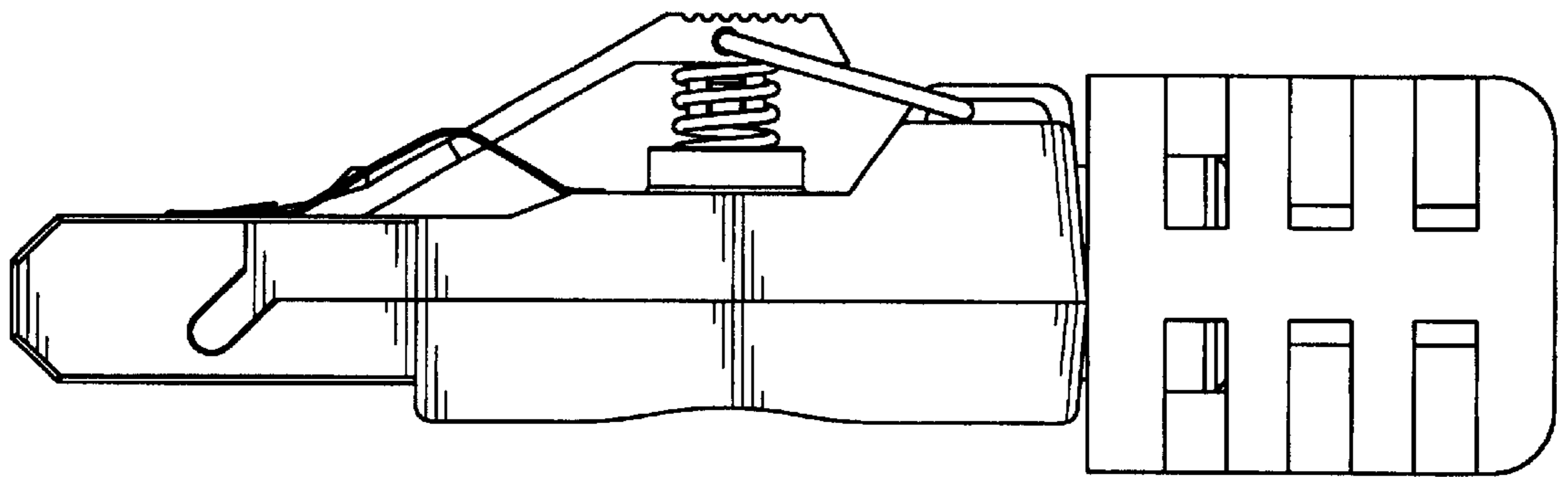


FIG. 5

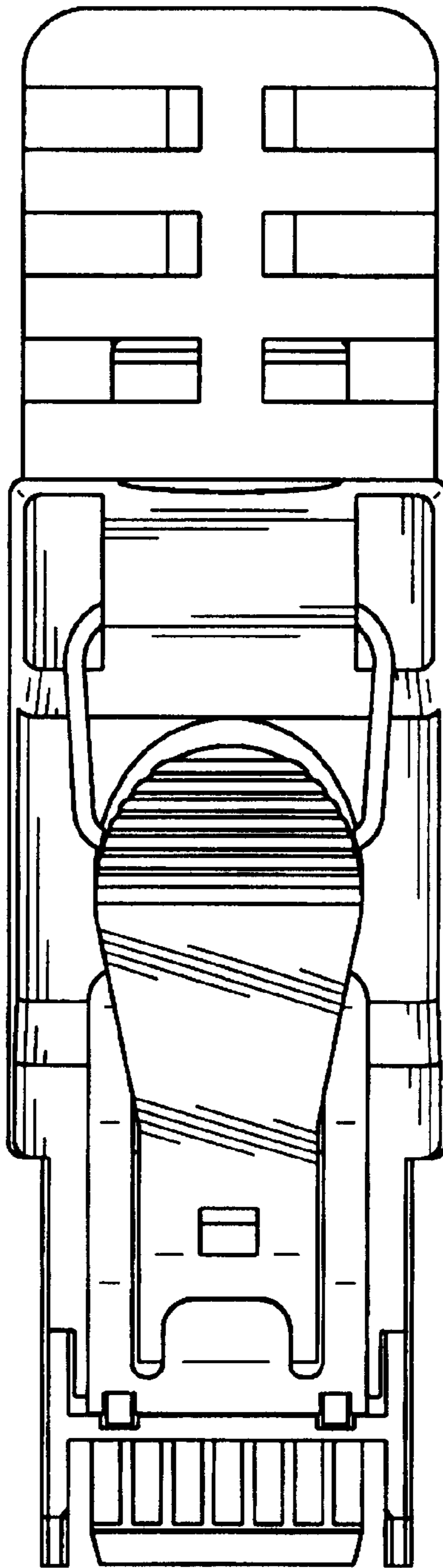


FIG. 6

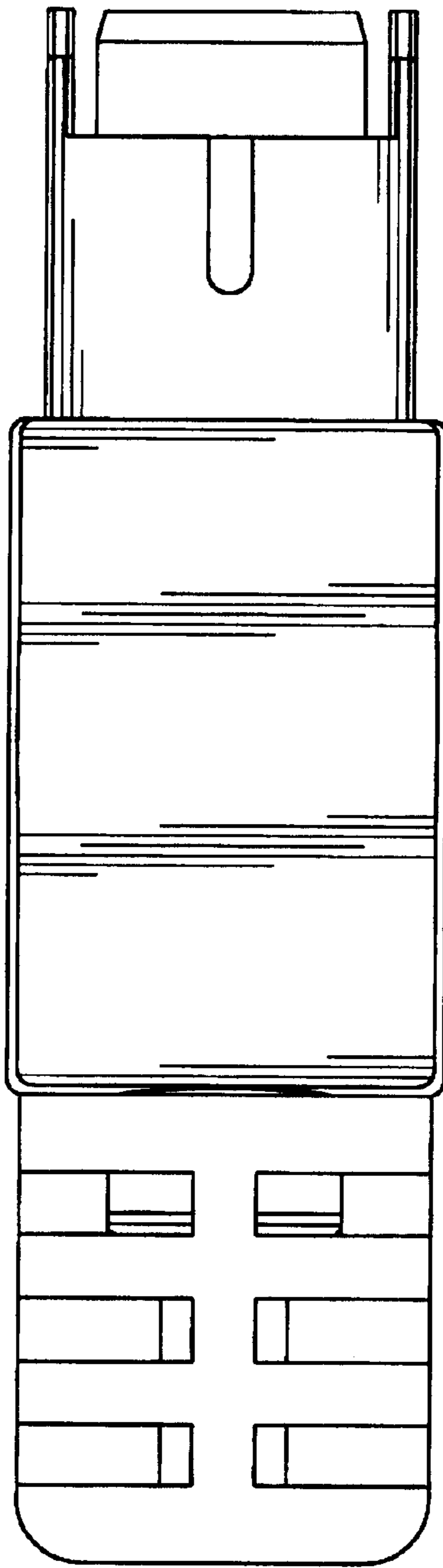


FIG. 7