



US00D477562S

(12) **United States Design Patent**
McCoy et al.

(10) **Patent No.:** **US D477,562 S**

(45) **Date of Patent:** **** Jul. 22, 2003**

(54) **CARGO CARRIER**

(75) Inventors: **Richard W. McCoy**, Granger, IN (US);
Jason R. Moldthan, Osceola, IN (US);
Katherine A. Adams, Mishawaka, IN (US)

(73) Assignee: **Cequent Towing Products, Inc.**,
Plymouth, MI (US)

(**) Term: **14 Years**

(21) Appl. No.: **29/170,031**

(22) Filed: **Oct. 30, 2002**

(51) **LOC (7) Cl.** **12-16**

(52) **U.S. Cl.** **D12/406**

(58) **Field of Search** D12/406, 162,
D12/412-414.1; D6/552, 556; D3/304-306;
224/309-310, 315, 323-329, 321, 400;
296/3, 37.1, 37.7, 100; 280/760-762, 769,
727, 848

(56) **References Cited**

U.S. PATENT DOCUMENTS

2,714,480	A	*	8/1955	Harris	224/325	X
D181,747	S	*	12/1957	Pawly et al.	D12/406	
D181,748	S	*	12/1957	Pawly et al.	D12/406	
D182,705	S	*	5/1958	Binding	D12/406	

D288,193	S	*	2/1987	Caron	D12/406	
D406,557	S	*	3/1999	Bentley	D12/412	
D413,562	S	*	9/1999	Van Dusen et al.	D12/412	
D422,553	S	*	4/2000	VonDuyke	D12/412	
D434,718	S	*	12/2000	Kreisler	D12/412	
D435,510	S	*	12/2000	Quidort	D12/412	
D436,575	S	*	1/2001	McCoy et al.	D12/406	
D459,287	S	*	6/2002	Beard et al.	D12/406	
D470,451	S	*	2/2003	Bushart et al.	D12/412	

* cited by examiner

Primary Examiner—Stacia Cadmus

(74) *Attorney, Agent, or Firm*—King & Schickli, PLLC

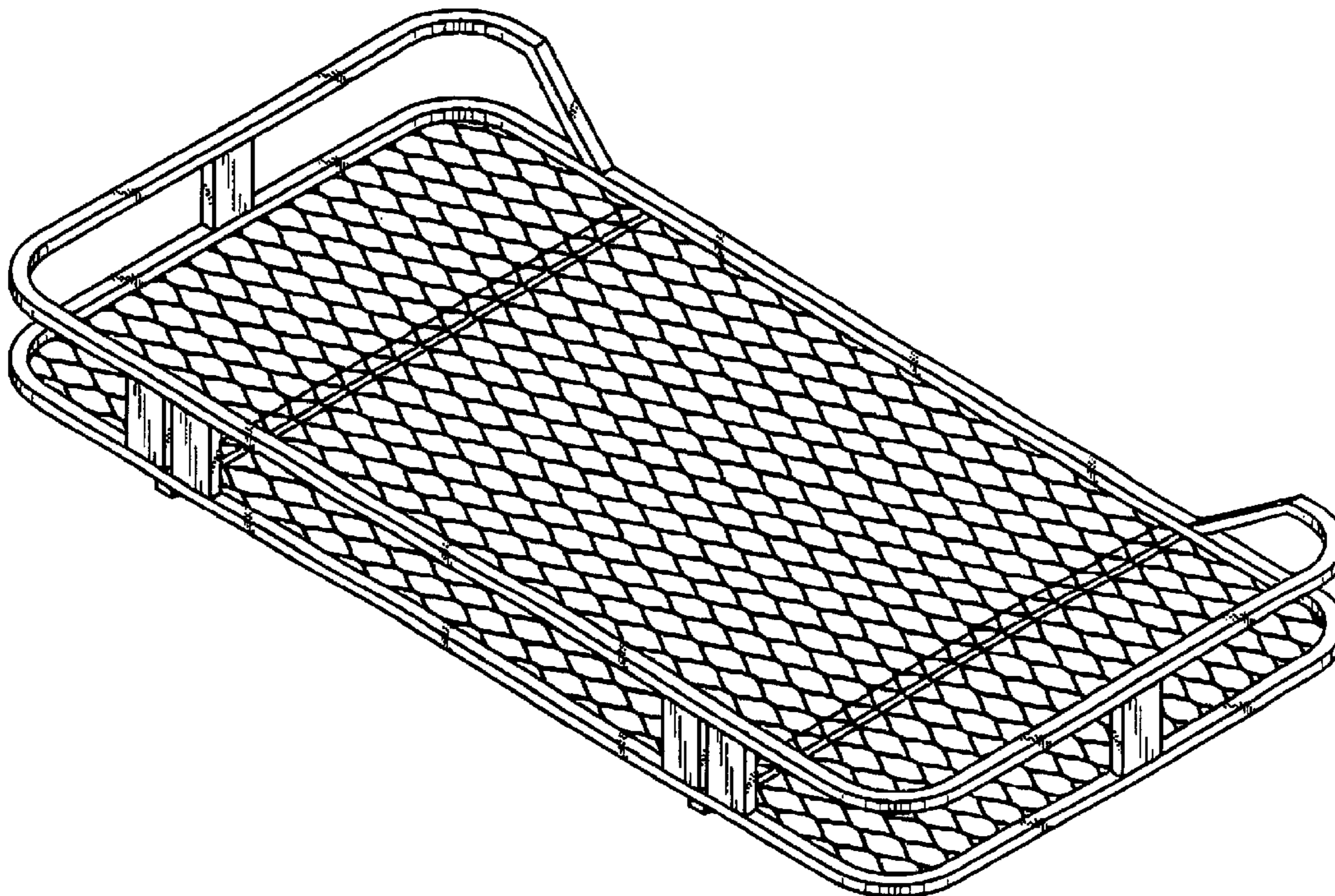
(57) **CLAIM**

The ornamental design of a cargo carrier, as shown and described.

DESCRIPTION

FIG. 1 is a perspective view of the cargo carrier of the present invention;
FIG. 2 is a front elevational view thereof;
FIG. 3 is a top plan view thereof;
FIG. 4 is a rear elevational view thereof;
FIG. 5 is a bottom plan view thereof;
FIG. 6 is a left side elevational view thereof; and,
FIG. 7 is a right side elevational view thereof.

1 Claim, 3 Drawing Sheets



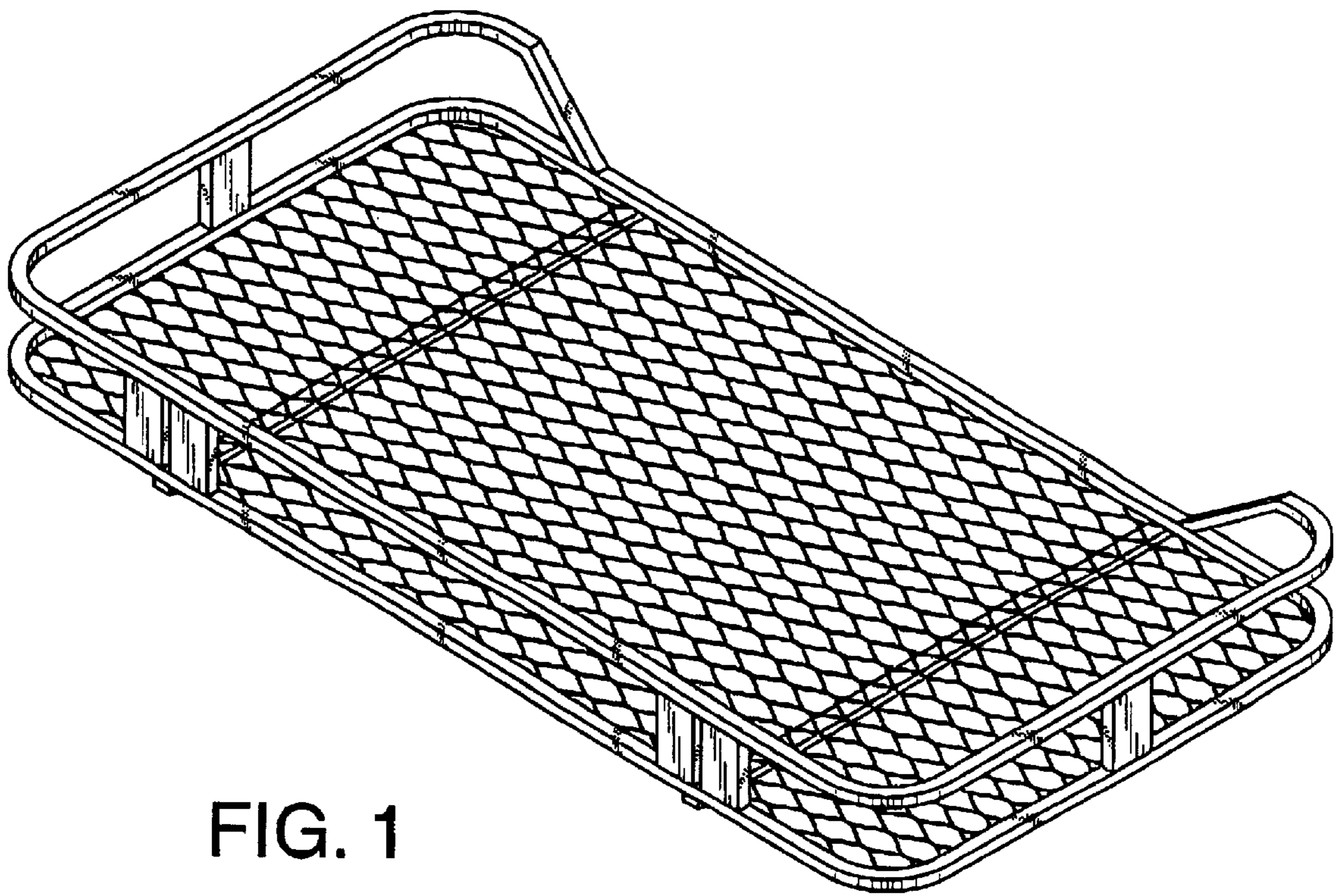


FIG. 1

FIG. 2

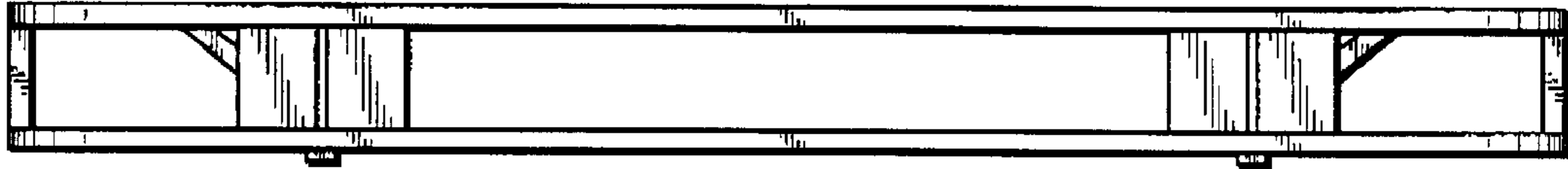


FIG. 3

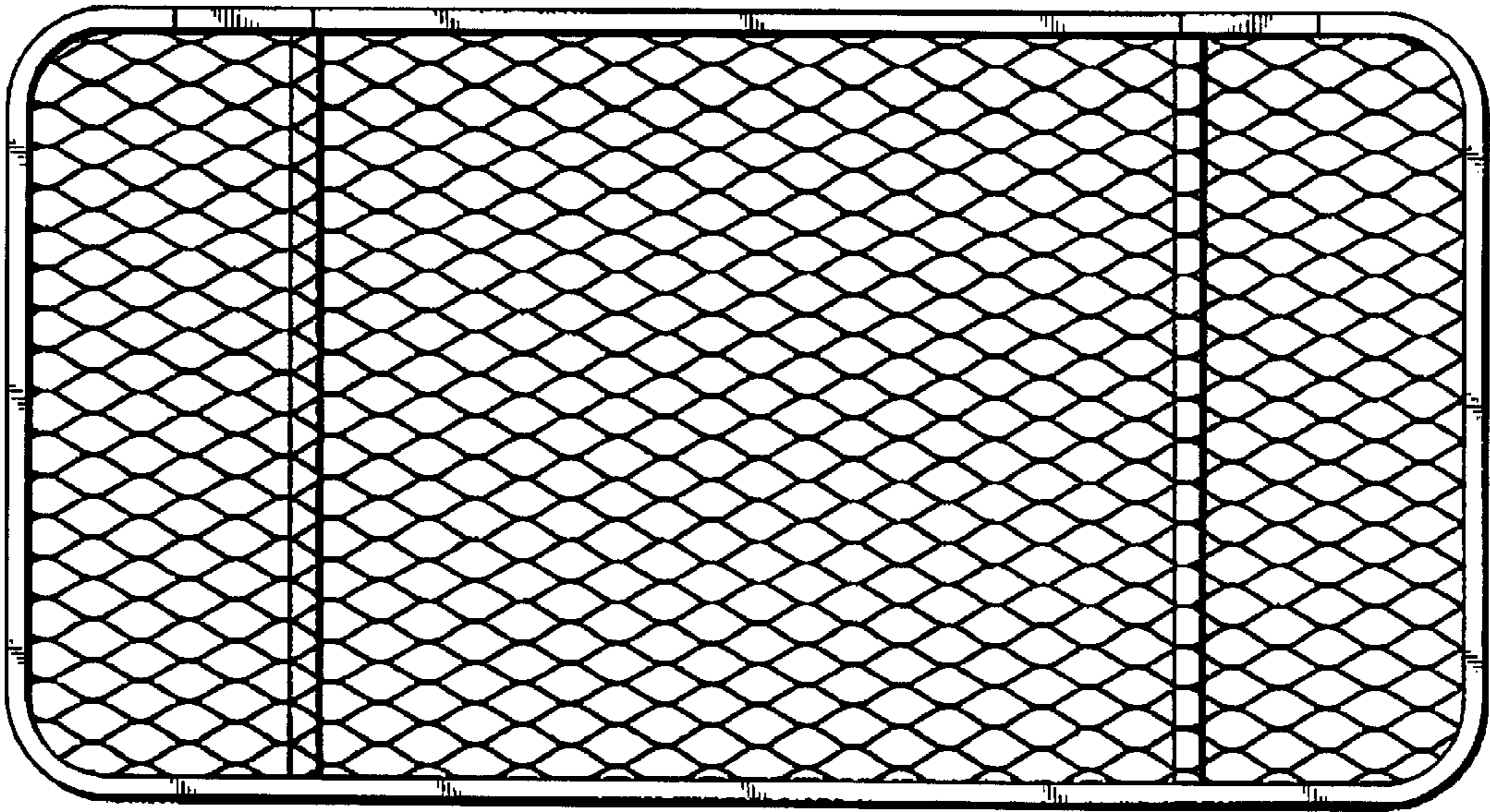


FIG. 4

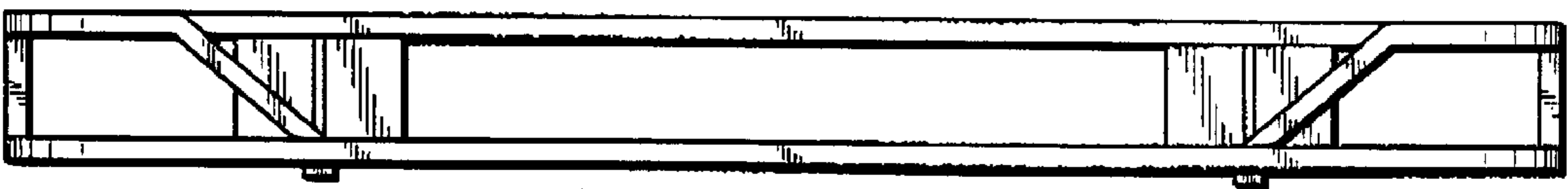


FIG. 5

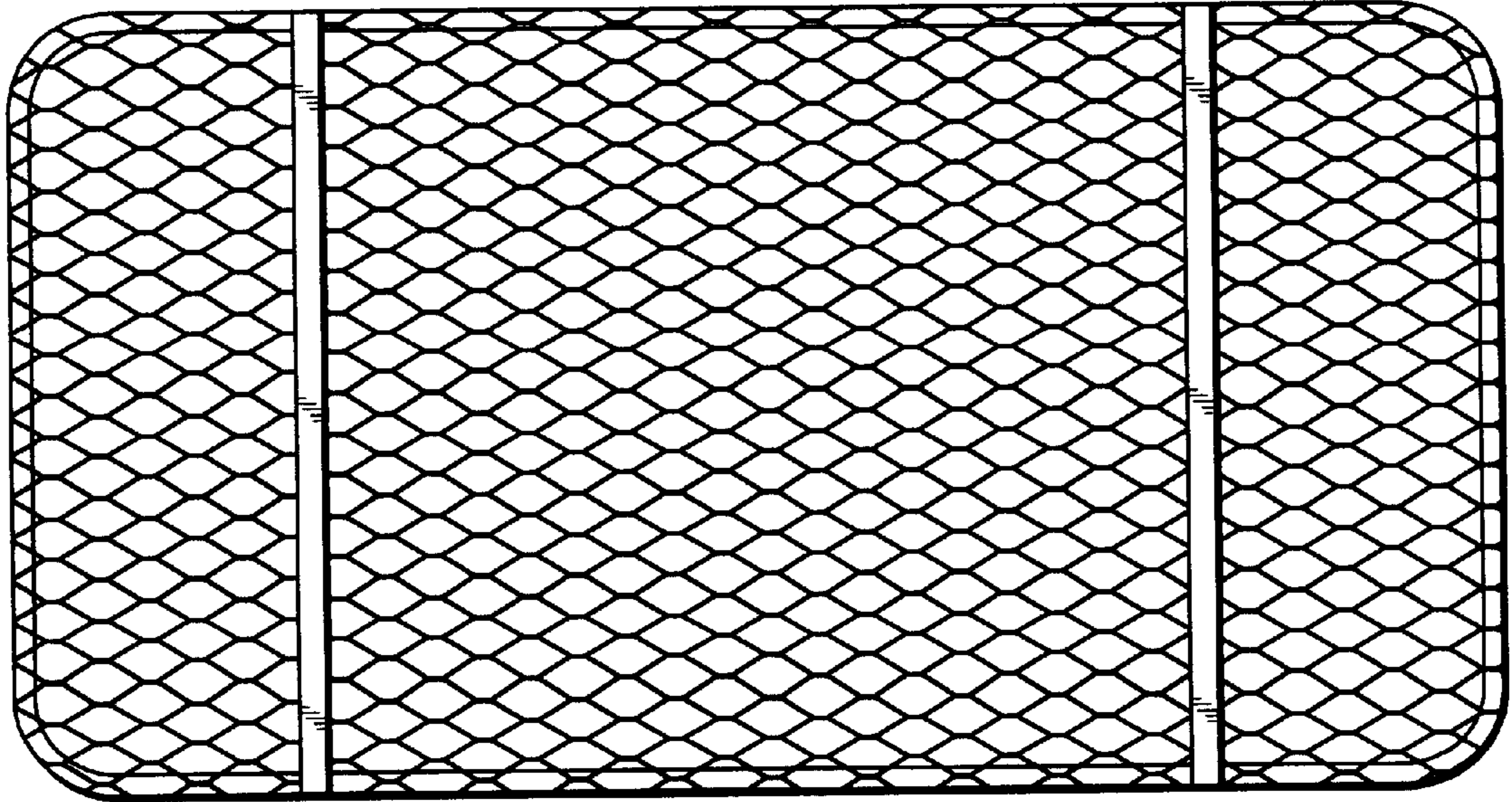


FIG. 6



FIG. 7

