



US00D477555S

(12) **United States Design Patent**  
**Ruffin**

(10) **Patent No.:** **US D477,555 S**

(45) **Date of Patent:** **\*\* Jul. 22, 2003**

(54) **TRUCK SIDE STEP**

(76) **Inventor:** **Thomas Jerry Ruffin**, 104 Sunset  
Cove, Brandon, MS (US) 39047

(\*\*) **Term:** **14 Years**

(21) **Appl. No.:** **29/175,570**

(22) **Filed:** **Feb. 7, 2003**

(51) **LOC (7) Cl.** ..... **12-16**

(52) **U.S. Cl.** ..... **D12/203**

(58) **Field of Search** ..... D12/203, 400;  
280/163-164.1, 166, 169, 153.5, 848; 182/90-92;  
D25/62, 68-69; 428/81-82; 238/14

(56) **References Cited**

**U.S. PATENT DOCUMENTS**

D21,780 S	*	8/1892	Wilson	.....	D12/203
753,334 A		3/1904	Vaughan		
3,758,134 A		9/1973	Stewart		
3,762,742 A	*	10/1973	Bucklen	.....	280/166
D239,378 S	*	3/1976	Stecker, Sr.	.....	D12/203
4,017,093 A		4/1977	Stecker, Sr.		
T977,005 I4		12/1978	Sidles, Jr. et al.		
4,605,098 A		8/1986	Leuty		
D293,667 S	*	1/1988	Weiler	.....	D12/203
D296,431 S	*	6/1988	Yont	.....	D12/203
D296,887 S	*	7/1988	Walling et al.	.....	D12/203
D315,134 S	*	3/1991	Springer	.....	D12/203
D316,394 S	*	4/1991	Carr	.....	D12/203

5,007,654 A		4/1991	Sauber		
D324,019 S	*	2/1992	Bailey	.....	D12/203
5,139,295 A		8/1992	Escobedo		
5,513,866 A		5/1996	Sisson		
D370,452 S	*	6/1996	Beasley	.....	D12/203
D381,948 S	*	8/1997	Schult	.....	D12/203
D394,628 S	*	5/1998	Wentzel	.....	D12/203
6,082,752 A		7/2000	Sumrall		
6,170,843 B1		1/2001	Maxwell et al.		
D444,754 S	*	7/2001	Storer	.....	D12/203
D445,076 S	*	7/2001	Weinerman	.....	D12/203

\* cited by examiner

*Primary Examiner*—Stacia Cadmus

(74) *Attorney, Agent, or Firm*—Jacobson Holman PLLC

(57) **CLAIM**

The ornamental design for a truck side step, as shown and described.

**DESCRIPTION**

FIG. 1 is a perspective view showing my new design for a truck side step, the portion shown in dotted lines forming no part of my design, being for illustrative purposes only; FIG. 2 is a top view thereof; FIG. 3 is a bottom view thereof; FIG. 4 is a right side view thereof; FIG. 5 is a left side view thereof; FIG. 6 is a front view thereof; and, FIG. 7 is a rear view thereof.

**1 Claim, 3 Drawing Sheets**

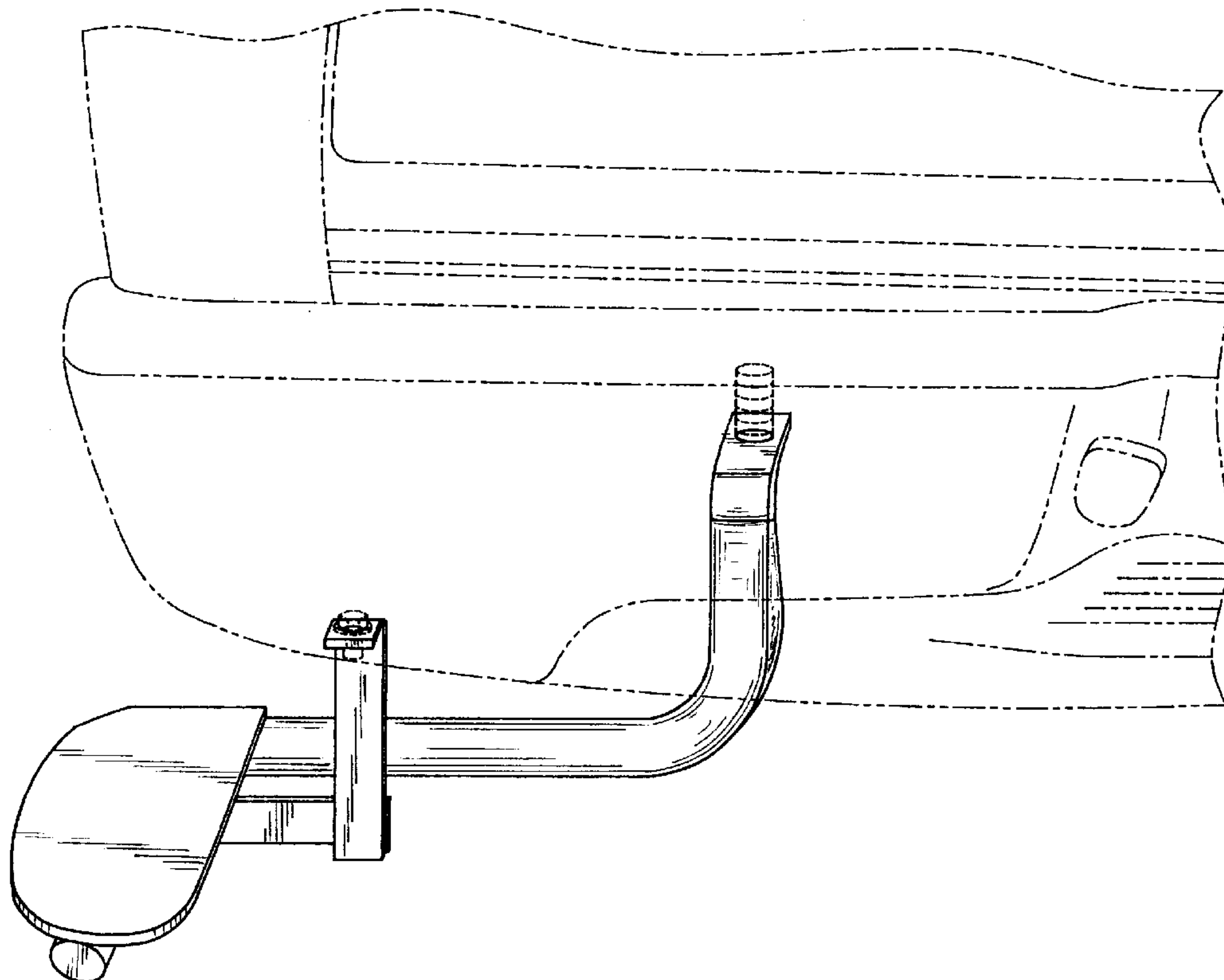


FIG. 1

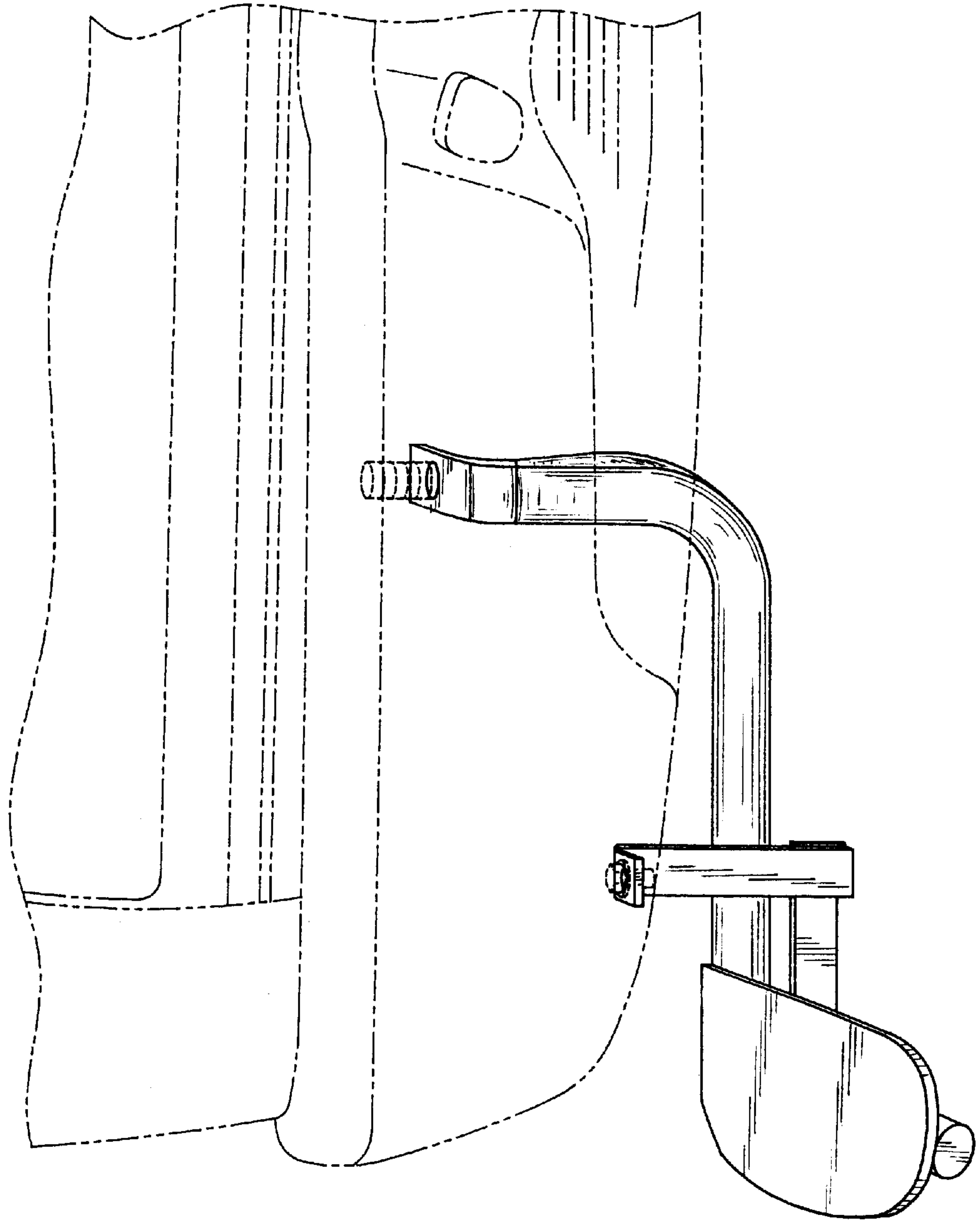


FIG. 2

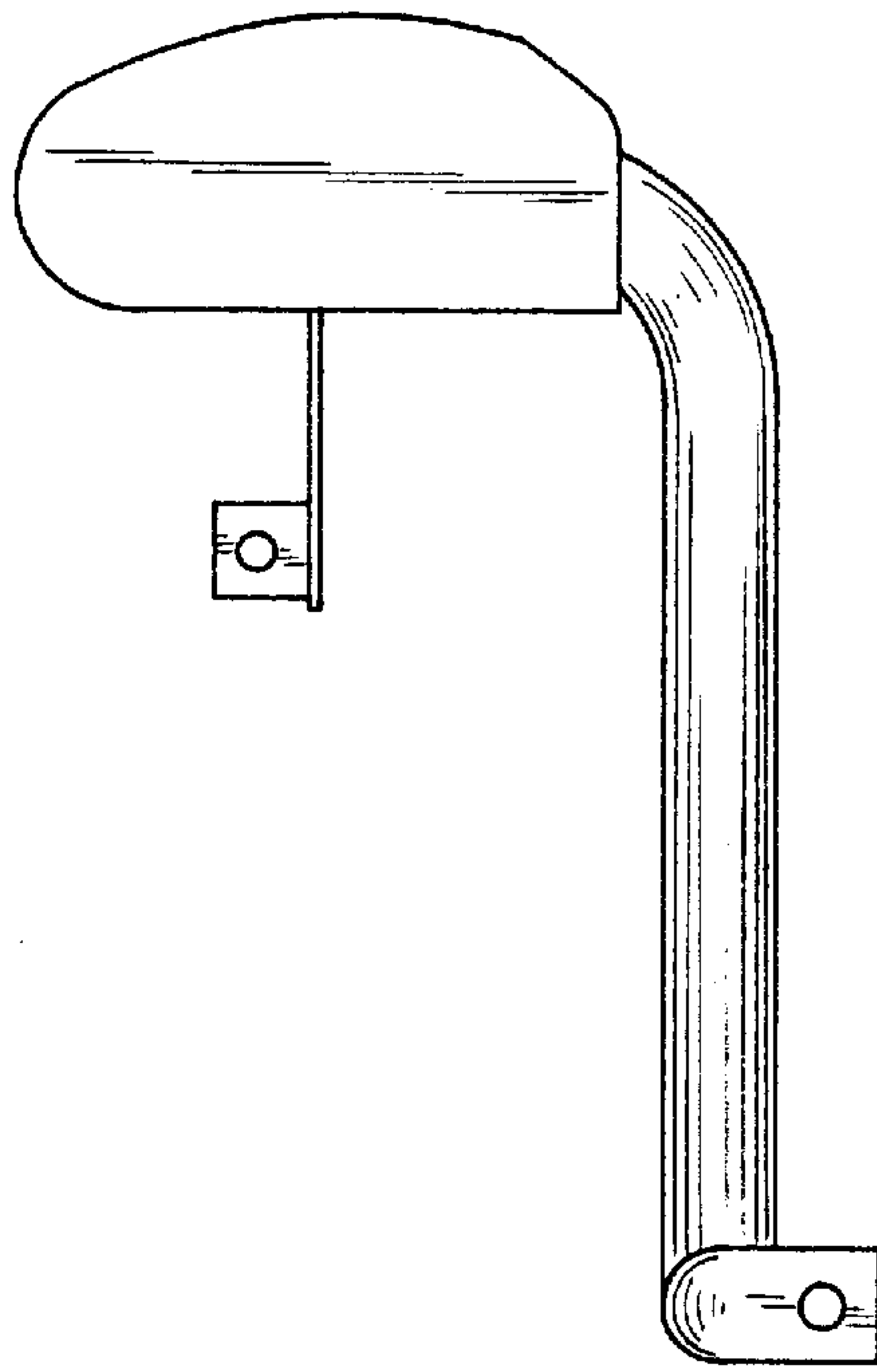


FIG. 3

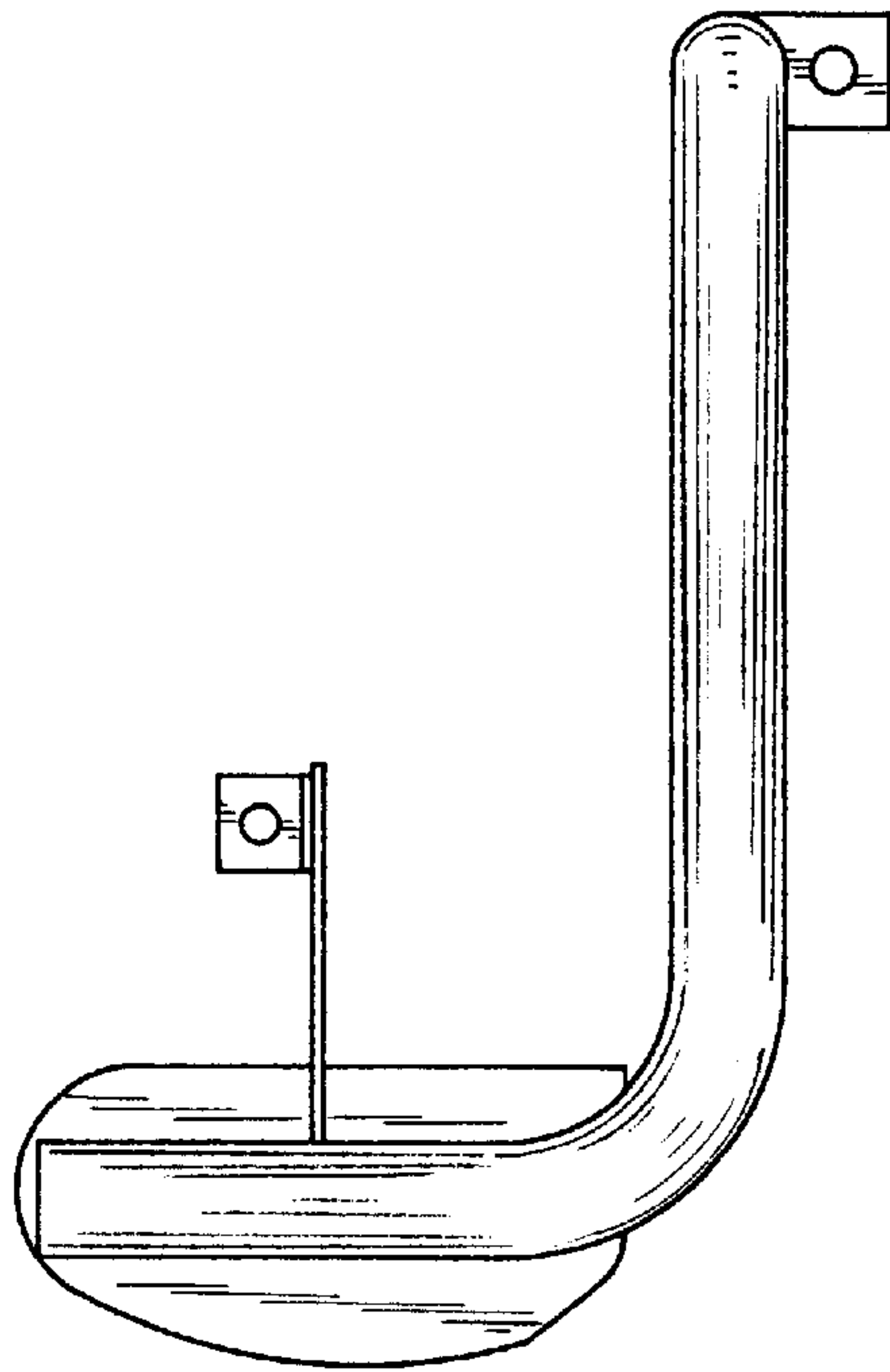


FIG. 4

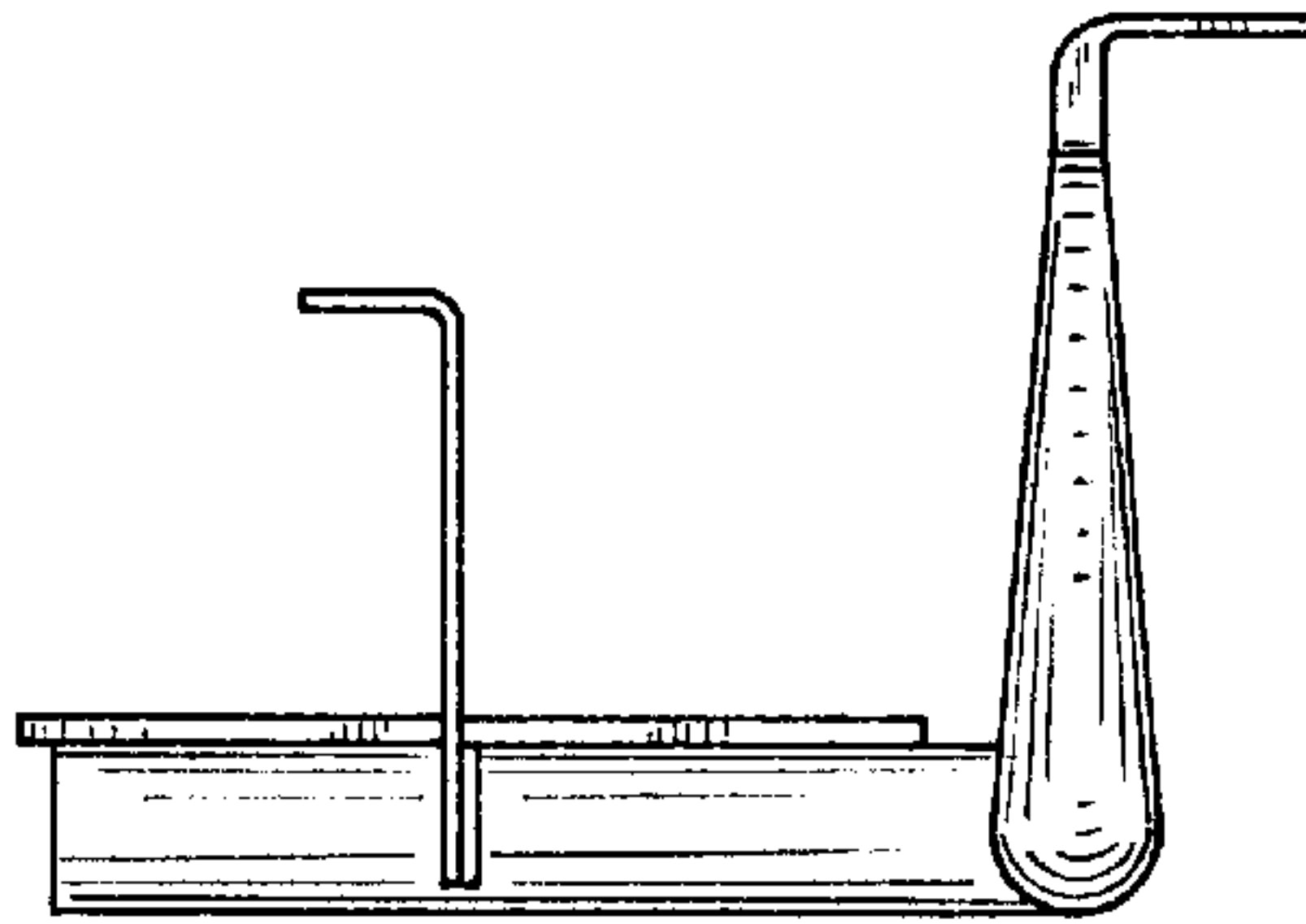


FIG. 5

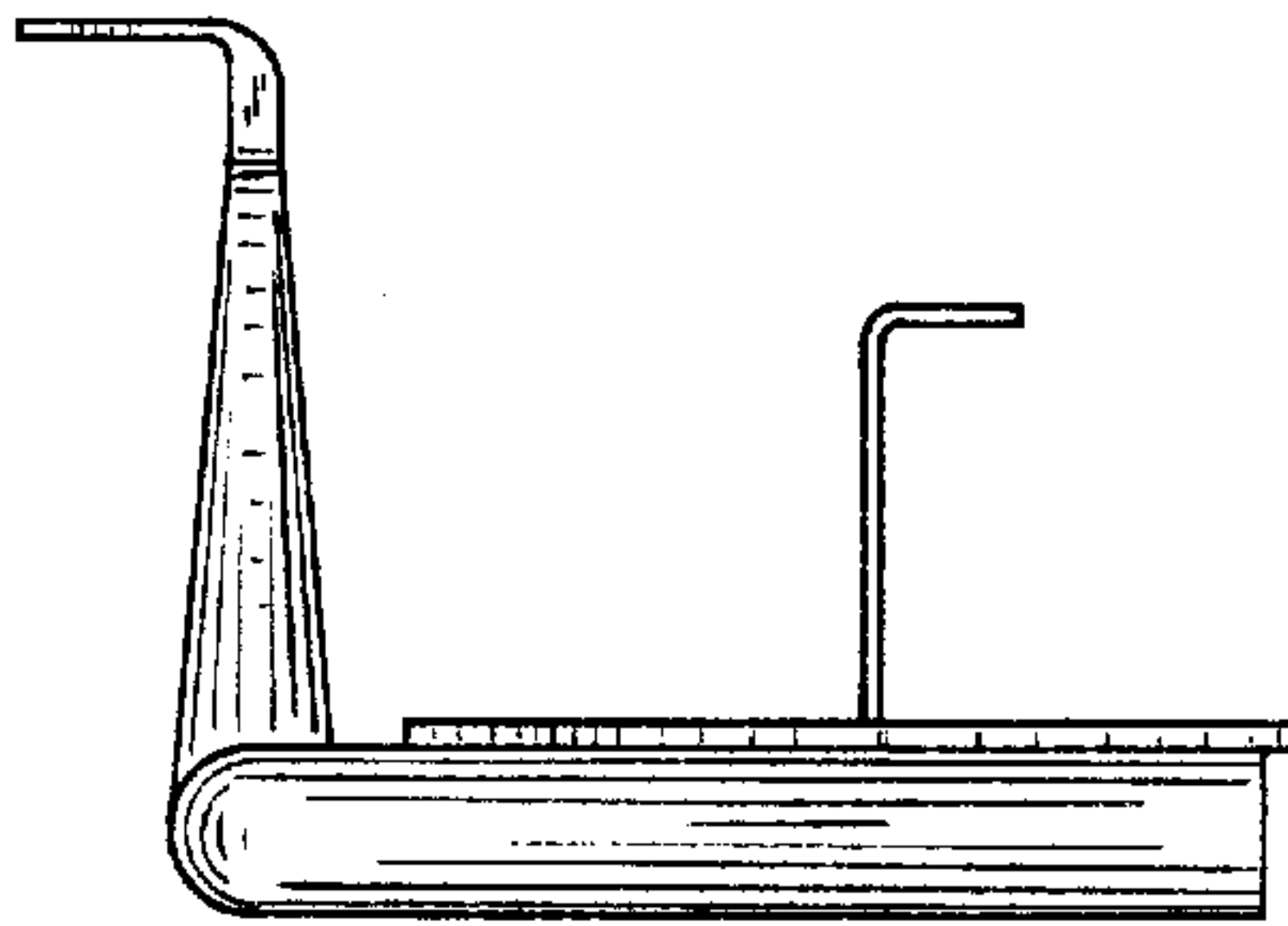


FIG. 6

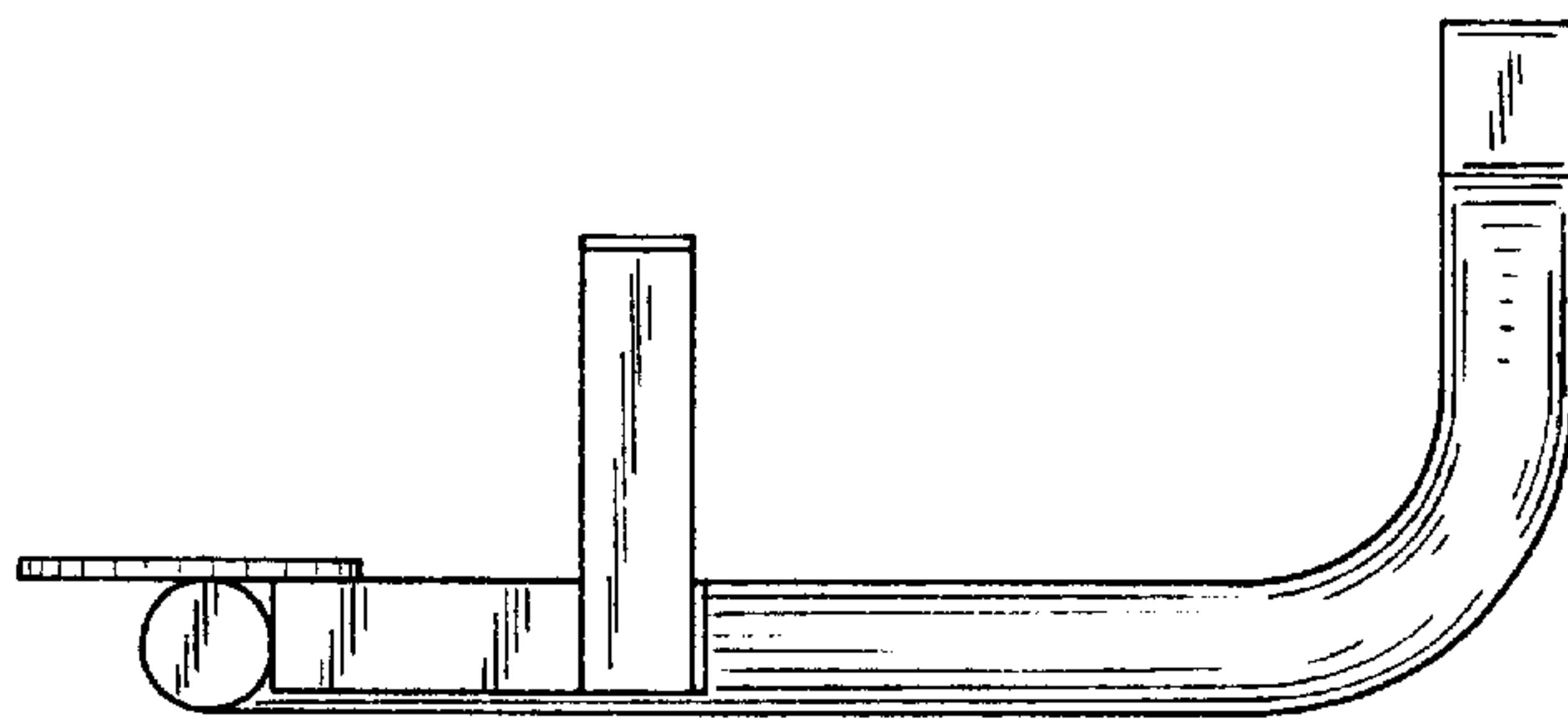


FIG. 7

