



US00D477552S

(12) **United States Design Patent**
Britt et al.

(10) **Patent No.:** **US D477,552 S**

(45) **Date of Patent:** **** Jul. 22, 2003**

(54) **AUTO HOOD ASSEMBLY**

D391,520 S * 3/1998 Laster D12/91
D432,475 S * 10/2000 Hankinson D12/196

(76) Inventors: **Thomas K. Britt**, 9620 Raider La.,
Riverview, FL (US) 33569; **Virginia C.**
Britt, 9620 Raider La., Riverview, FL
(US) 33569

* cited by examiner

Primary Examiner—Melody N. Brown
(74) *Attorney, Agent, or Firm*—Larson & Larson, PA;
James E. Larson

(**) Term: **14 Years**

(57) **CLAIM**

(21) Appl. No.: **29/168,664**

The ornamental design for an auto hood assembly, as shown
and described.

(22) Filed: **Oct. 7, 2002**

(51) **LOC (7) Cl.** **12-16**

DESCRIPTION

(52) **U.S. Cl.** **D12/173; D12/196**

FIG. 1 is a front elevational view of an auto hood assembly
showing our novel design;

(58) **Field of Search** **D12/173, 196,**

D12/90-92; 296/185

FIG. 2 is a rear elevational view thereof;

FIG. 3 is a left side view thereof;

FIG. 4 is a right side view thereof;

FIG. 5 is a top plan view thereof; and,

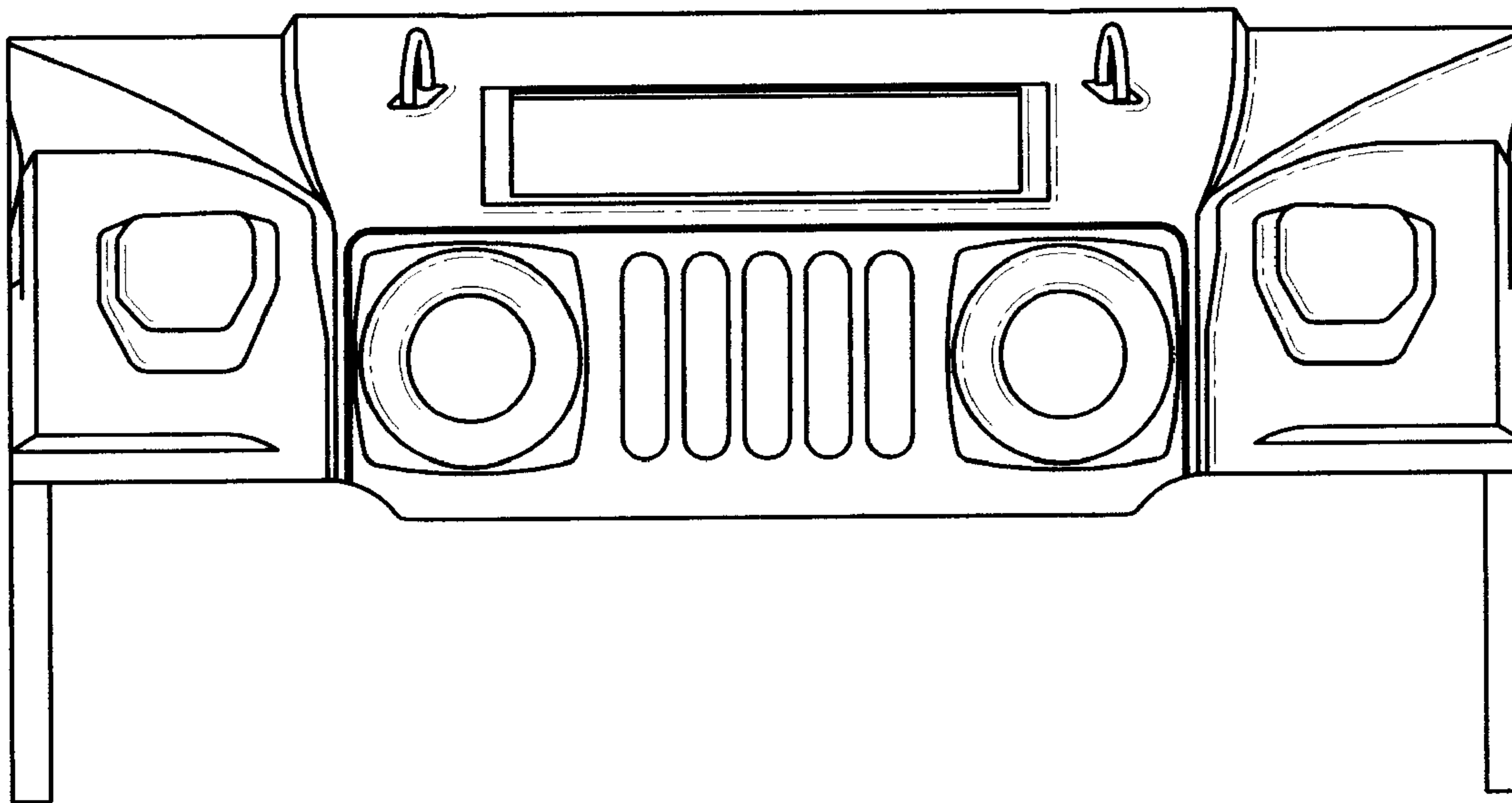
FIG. 6 is a bottom plan view of an auto hood assembly of
the present invention.

(56) **References Cited**

U.S. PATENT DOCUMENTS

D389,094 S * 1/1998 Stollery D12/91
D389,095 S * 1/1998 Stollery D12/91
D389,109 S * 1/1998 Stollery D12/173

1 Claim, 3 Drawing Sheets



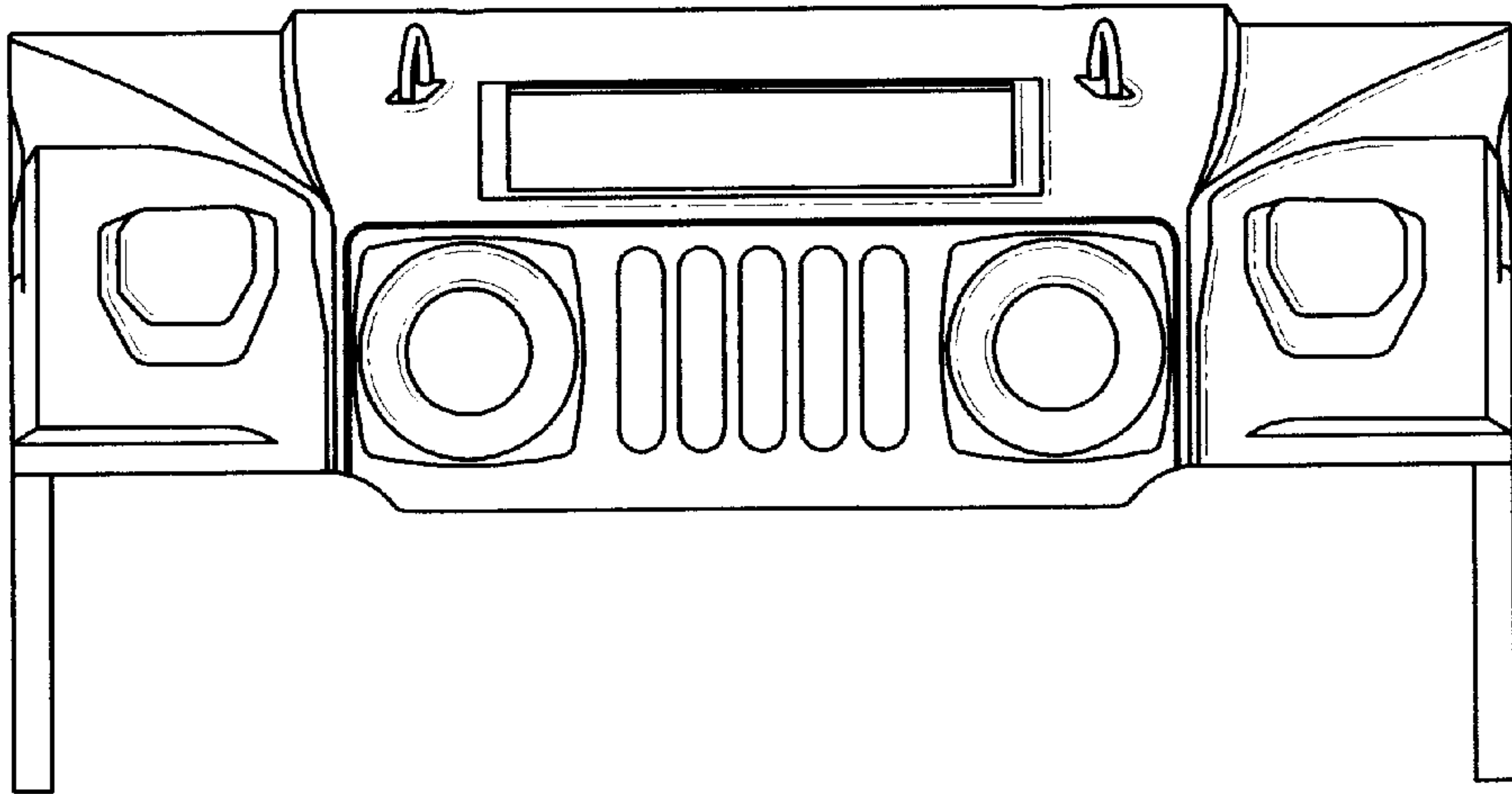


FIG. 1

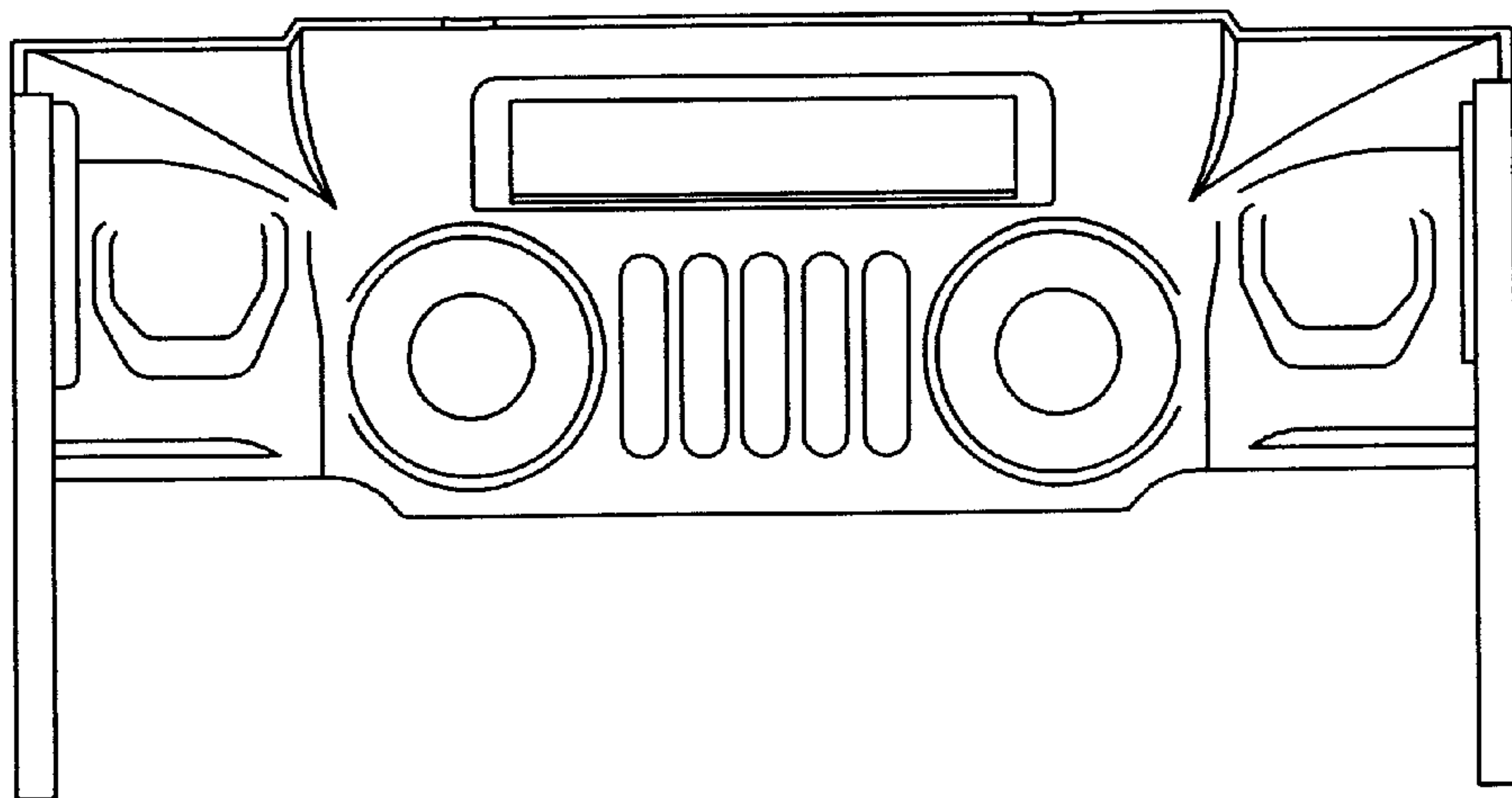


FIG. 2

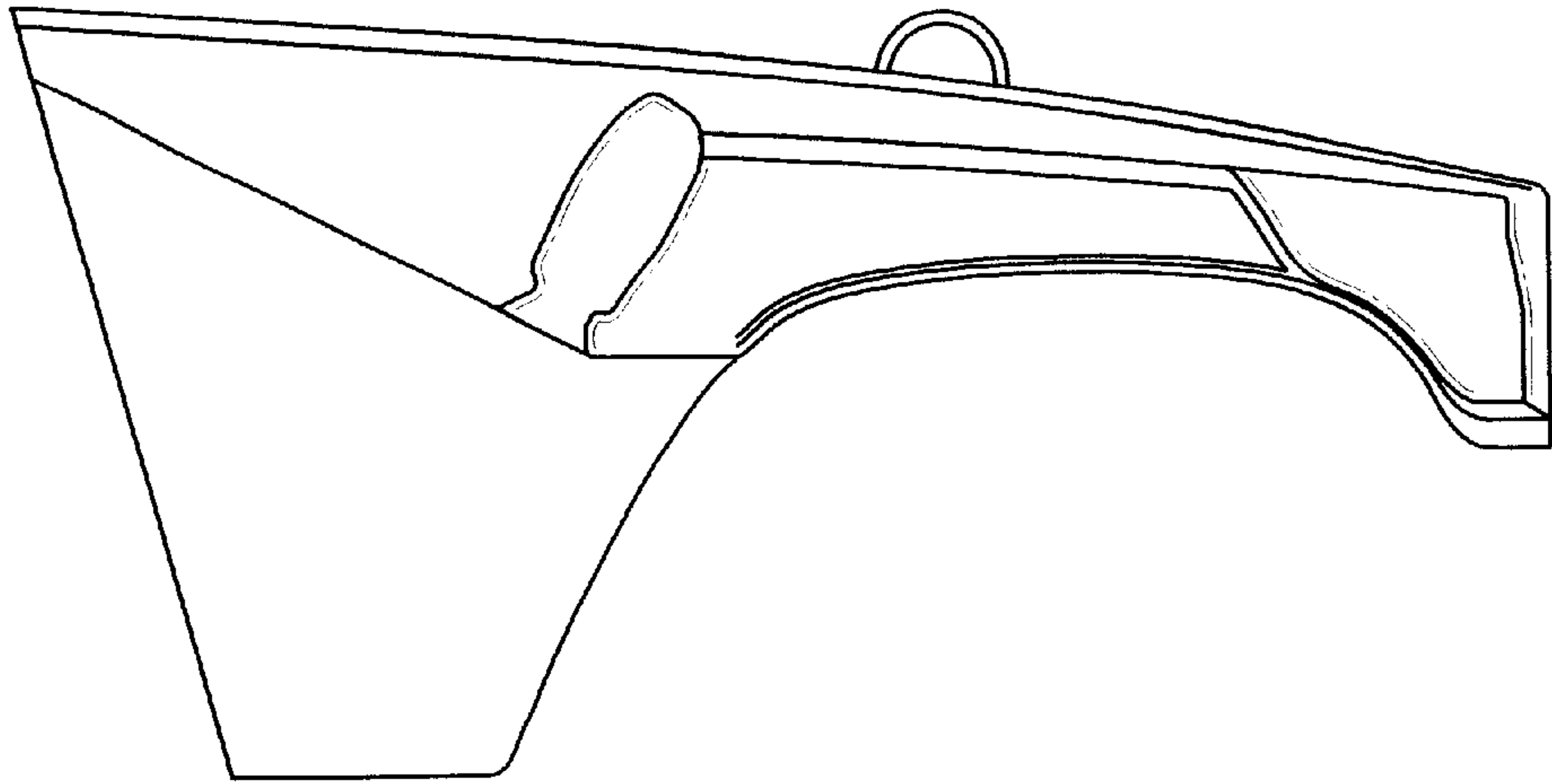


FIG. 3

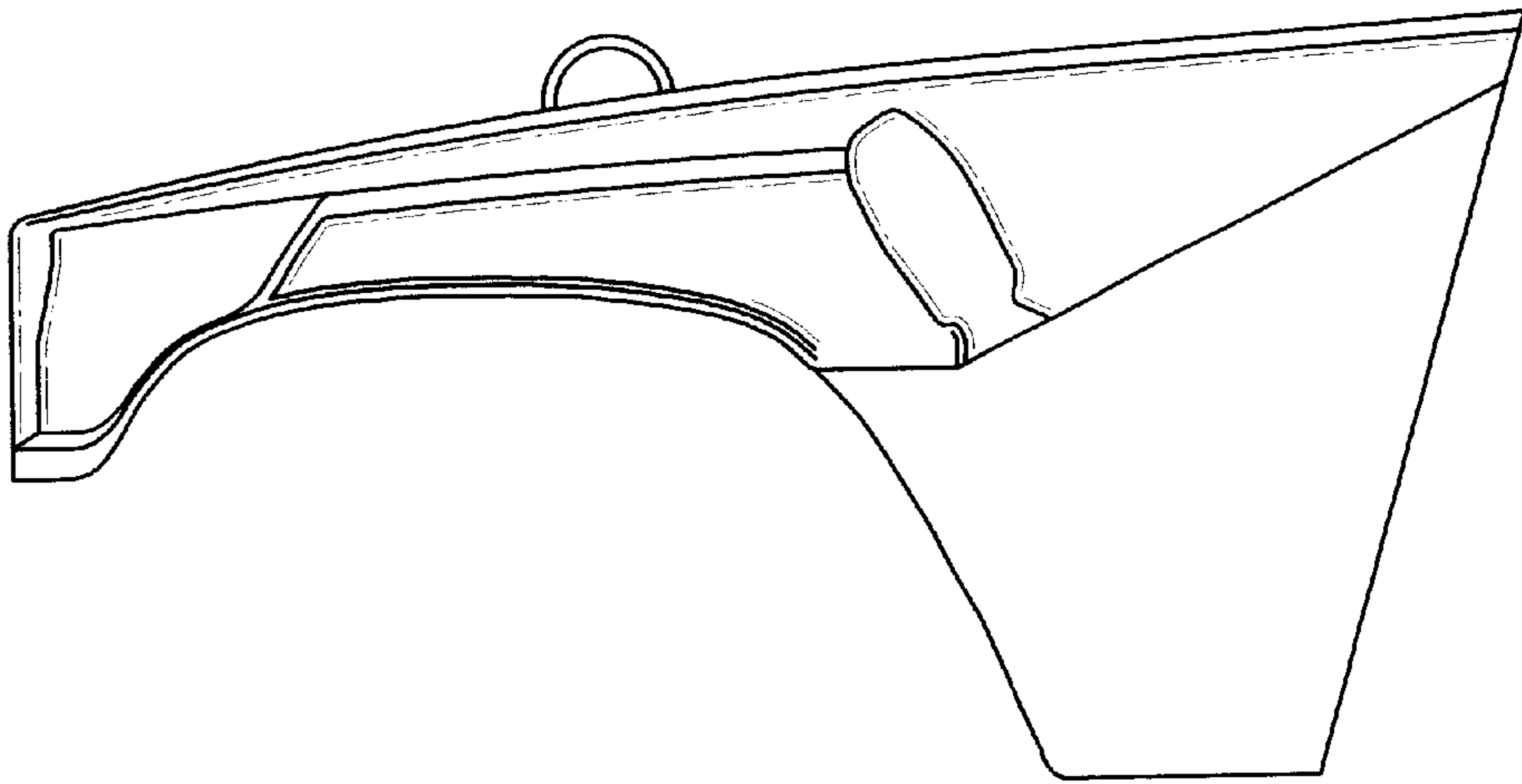


FIG. 4

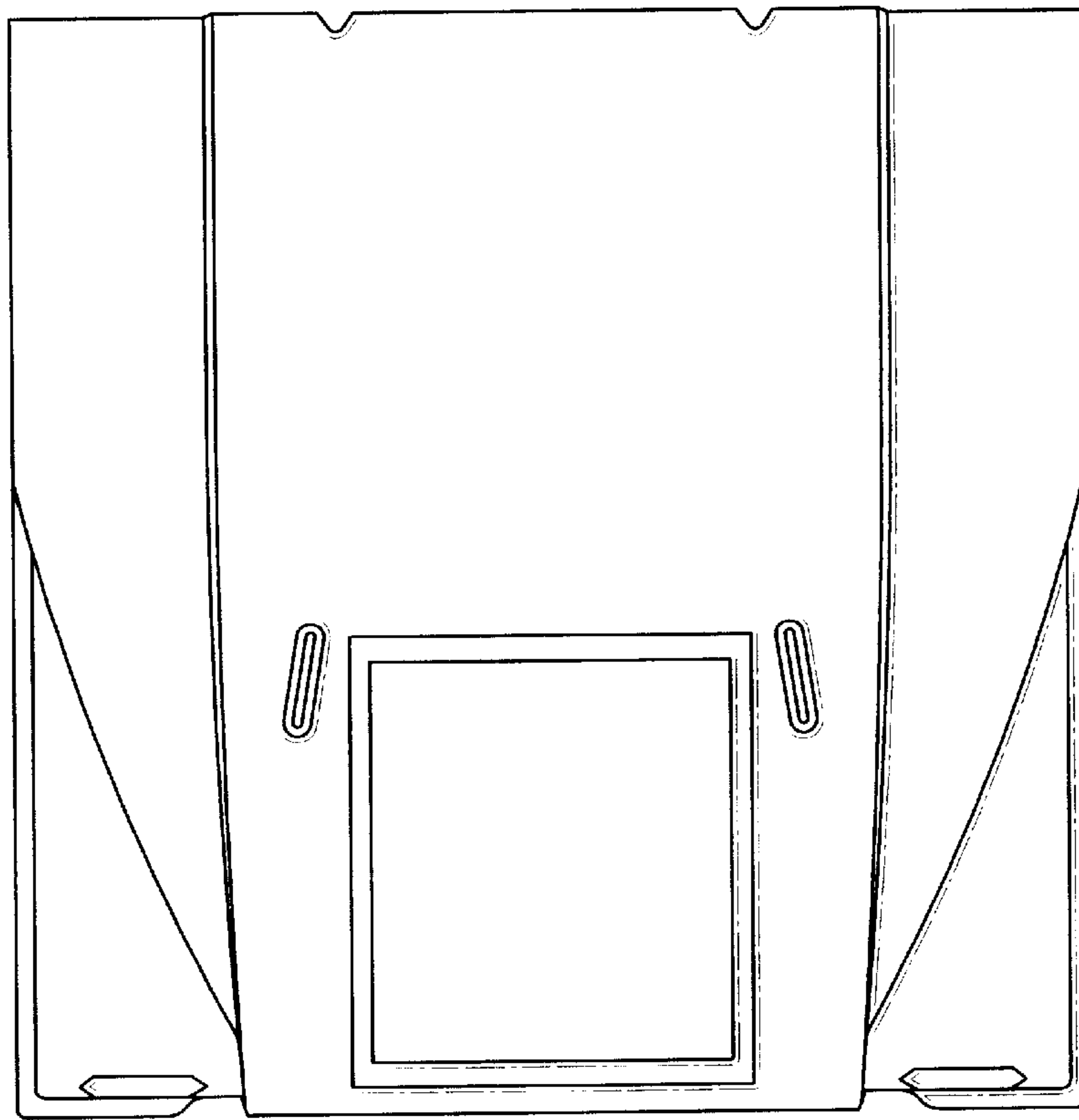


FIG. 5

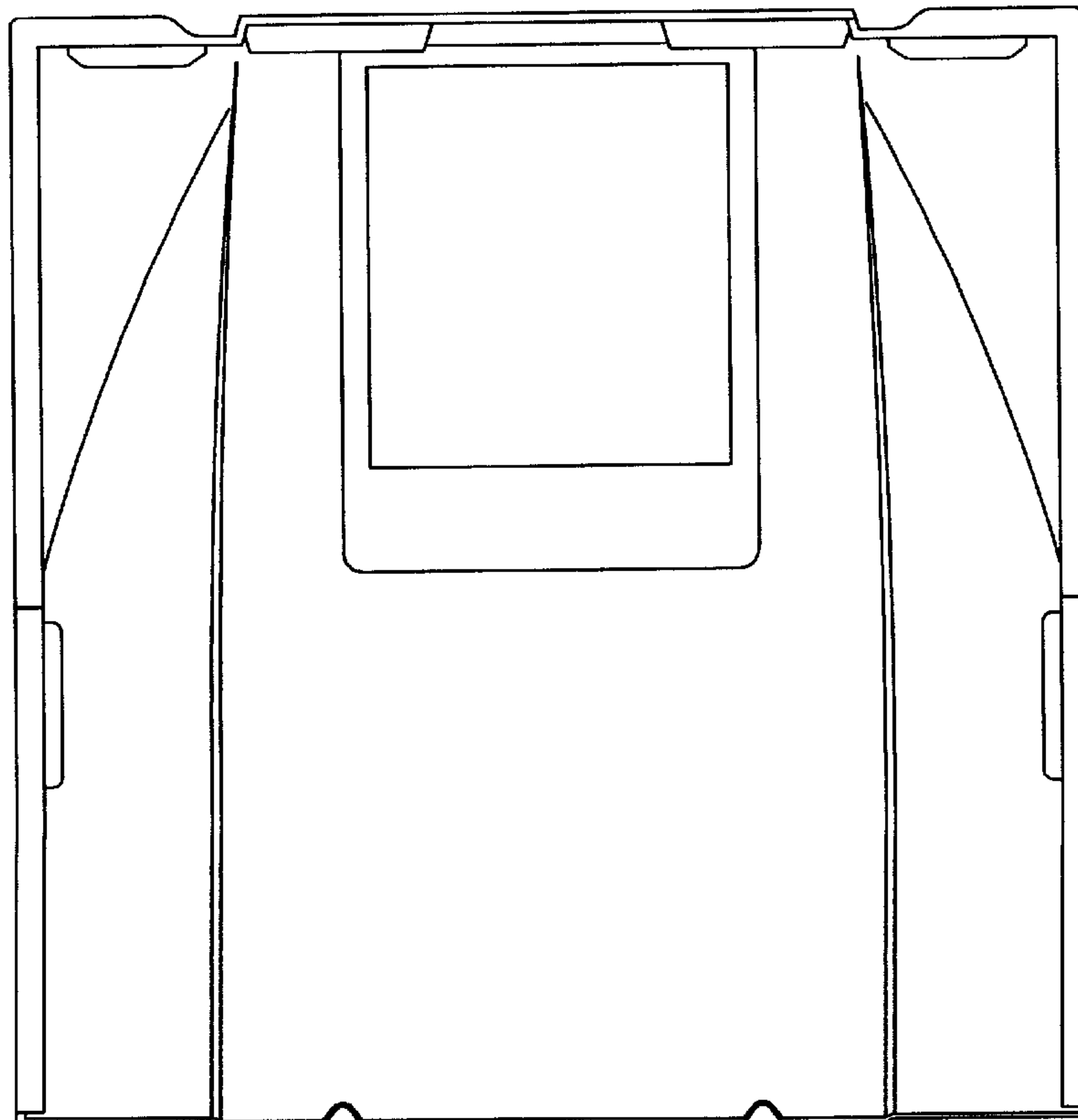


FIG. 6