



US00D477550S

(12) **United States Design Patent**
Cheng

(10) **Patent No.:** **US D477,550 S**

(45) **Date of Patent:** **** Jul. 22, 2003**

(54) **CHILD'S TRICYCLE FRAME**

(76) Inventor: **Wen-Tai Cheng**, No. 27, Sheng-Li 1st St., Jen-Te Hsiang, Tainan Hsien (TW)

(**) Term: **14 Years**

(21) Appl. No.: **29/161,472**

(22) Filed: **May 30, 2002**

(51) **LOC (7) Cl.** **12-11**

(52) **U.S. Cl.** **D12/112**

(58) **Field of Search** D12/111, 112,
D12/113, 117; 280/259, 278, 282, 281.1,
287, 288.3; D21/423, 432, 435

(56) **References Cited**

U.S. PATENT DOCUMENTS

1,474,577 A * 11/1923 Bobbitt 280/282
D110,226 S * 6/1938 Snell D12/112

* cited by examiner

Primary Examiner—Alan P. Douglas

Assistant Examiner—Linda Brooks

(74) *Attorney, Agent, or Firm*—Brooks & Kushman P.C.

(57) **CLAIM**

The ornamental design for a child's tricycle frame, as shown and described.

DESCRIPTION

FIG. 1 is a perspective view of child's tricycle frame showing my new design;

FIG. 2 is a front elevational view thereof;

FIG. 3 is a rear elevational view thereof;

FIG. 4 is a left side elevational view thereof;

FIG. 5 is a right side elevational view thereof;

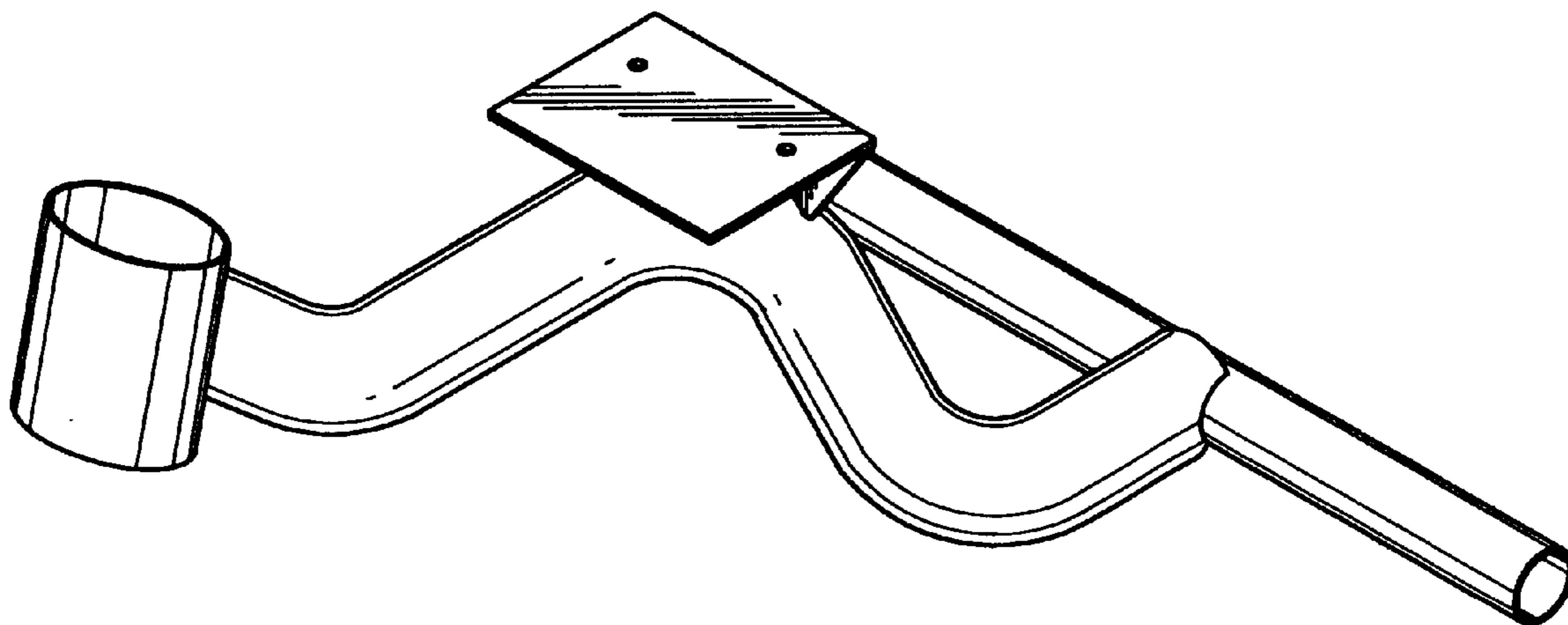
FIG. 6 is a top plan view thereof;

FIG. 7 is a bottom plan view thereof; and,

FIG. 8 is another perspective view in use.

The broken lines shown are for illustrative purposes only and form no part of the claimed design.

1 Claim, 5 Drawing Sheets



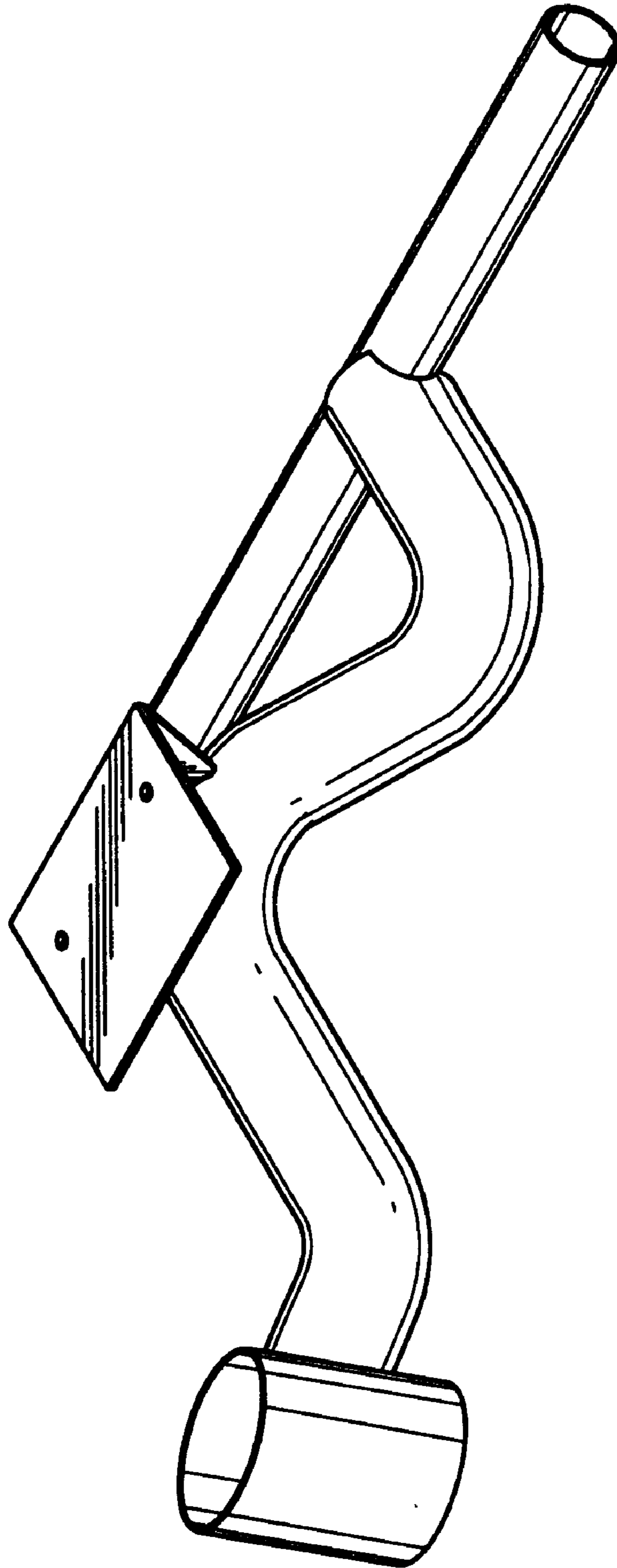


FIG. 1

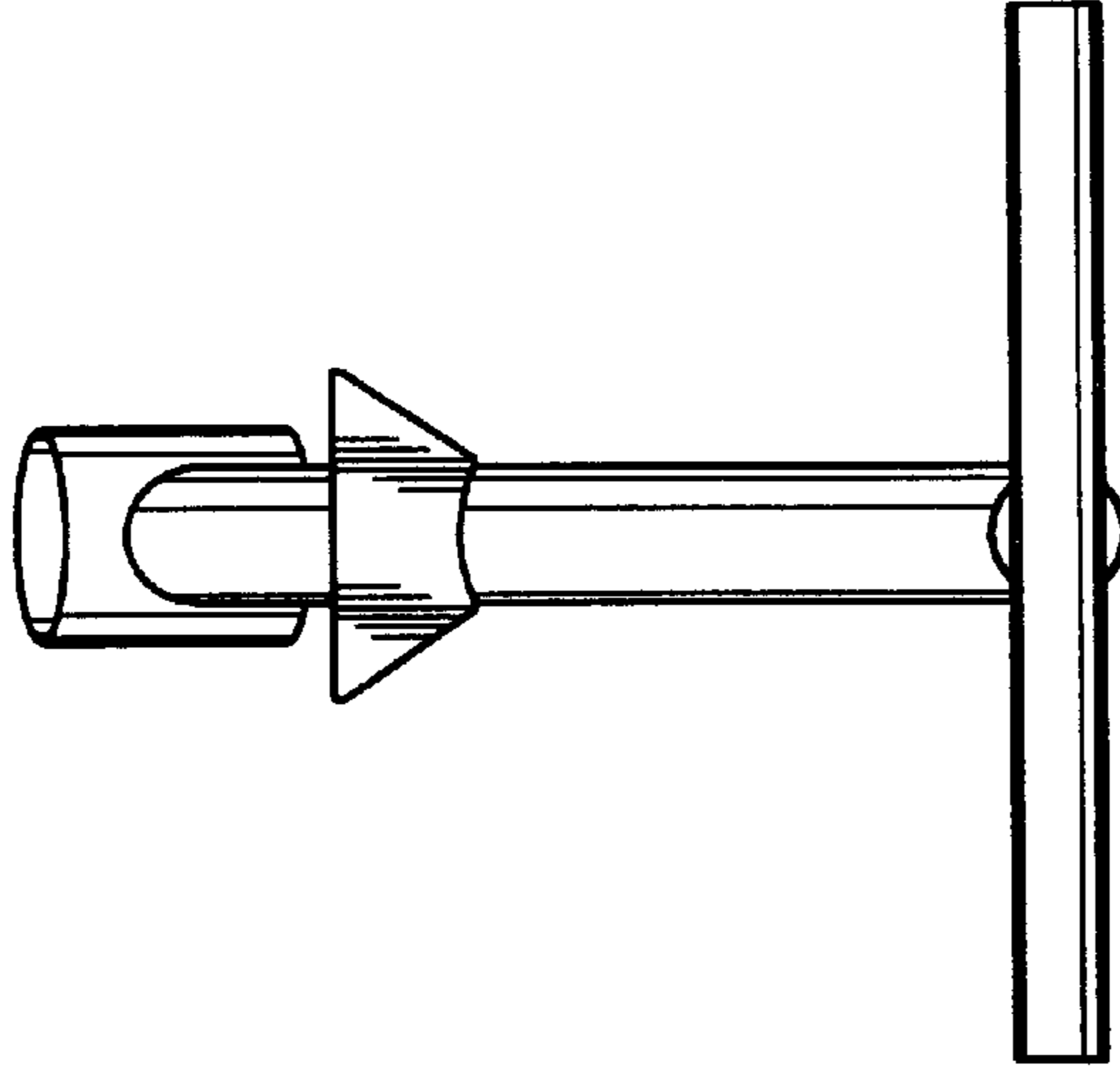


FIG. 3

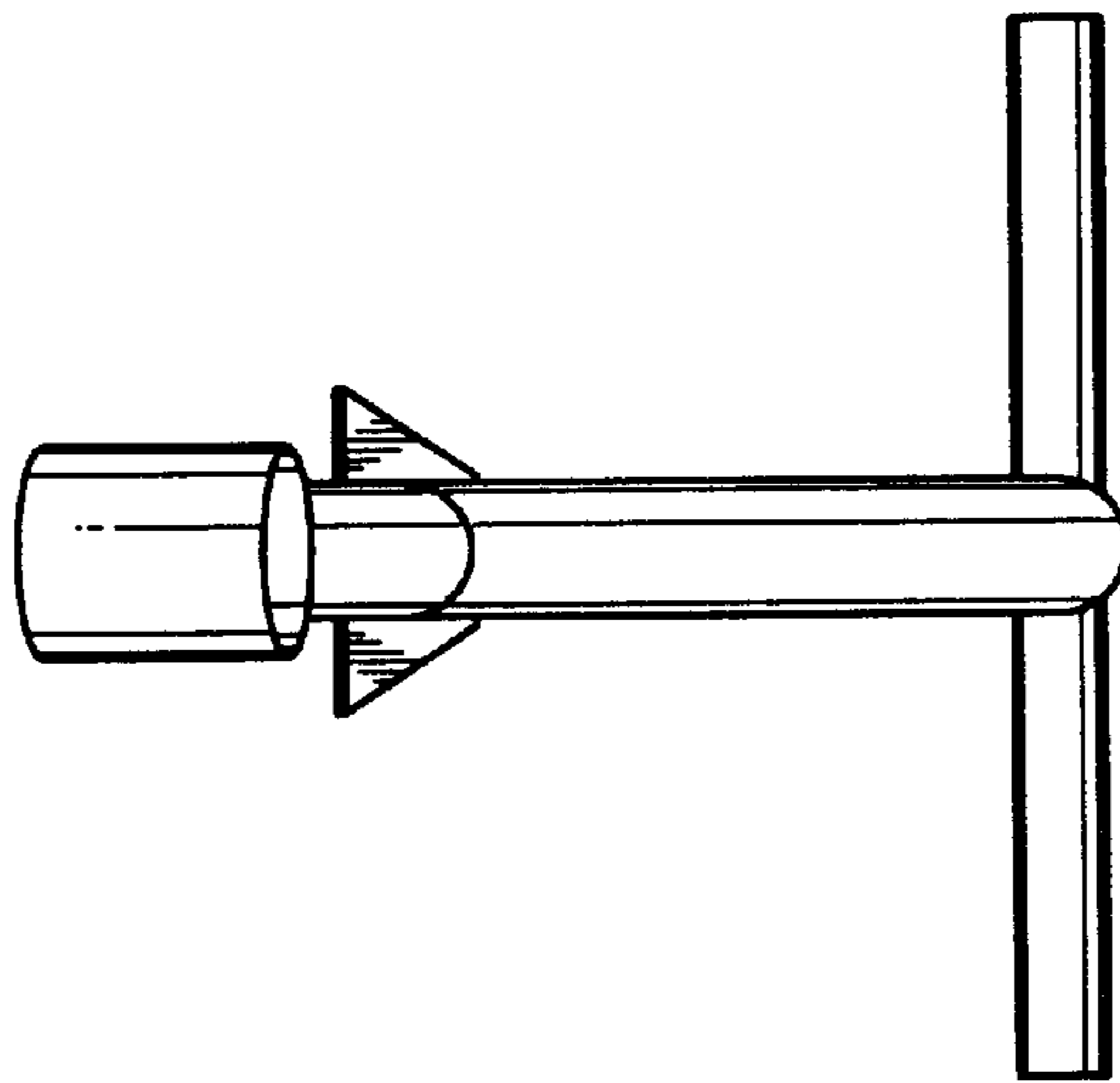


FIG. 2

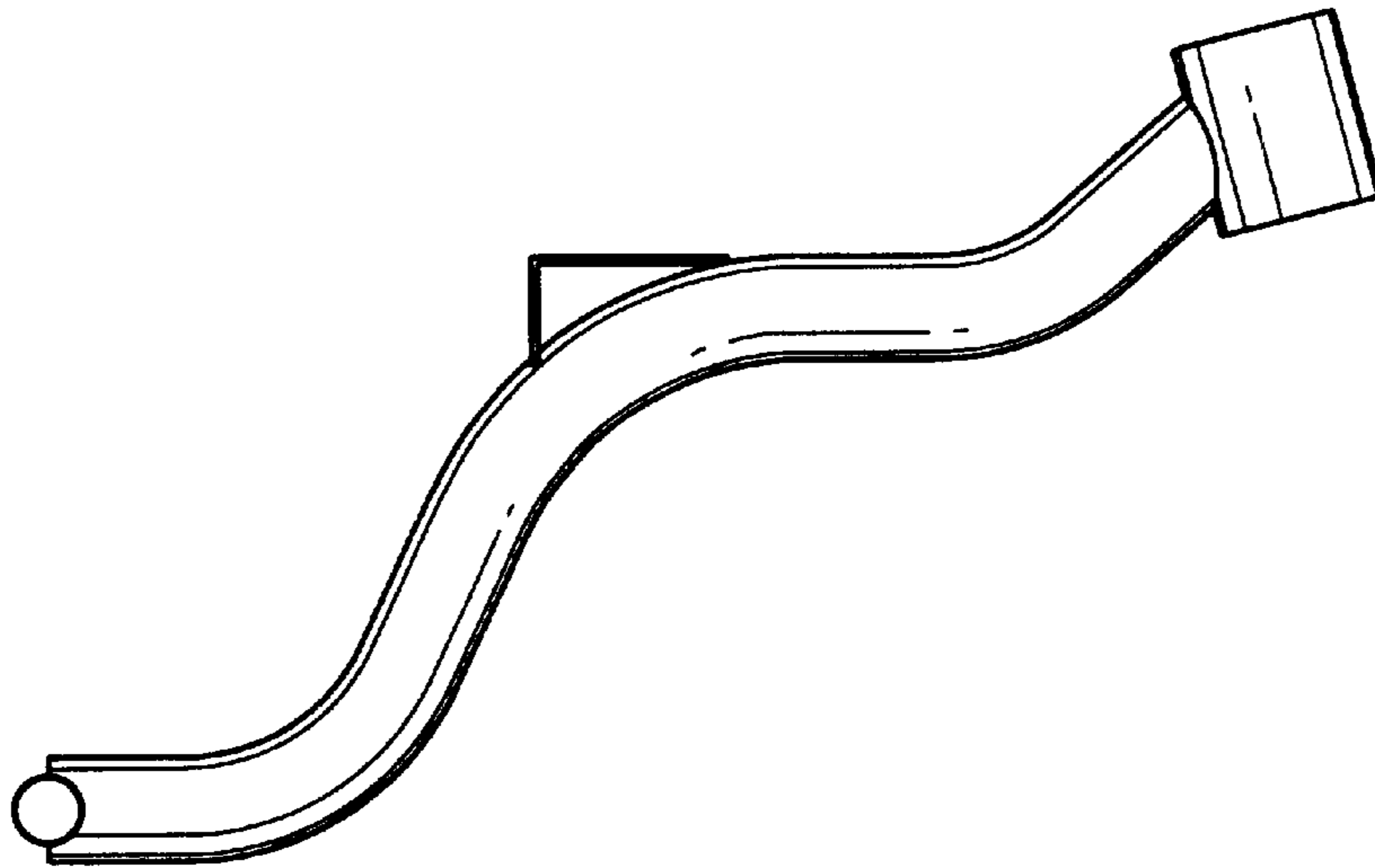


FIG. 4

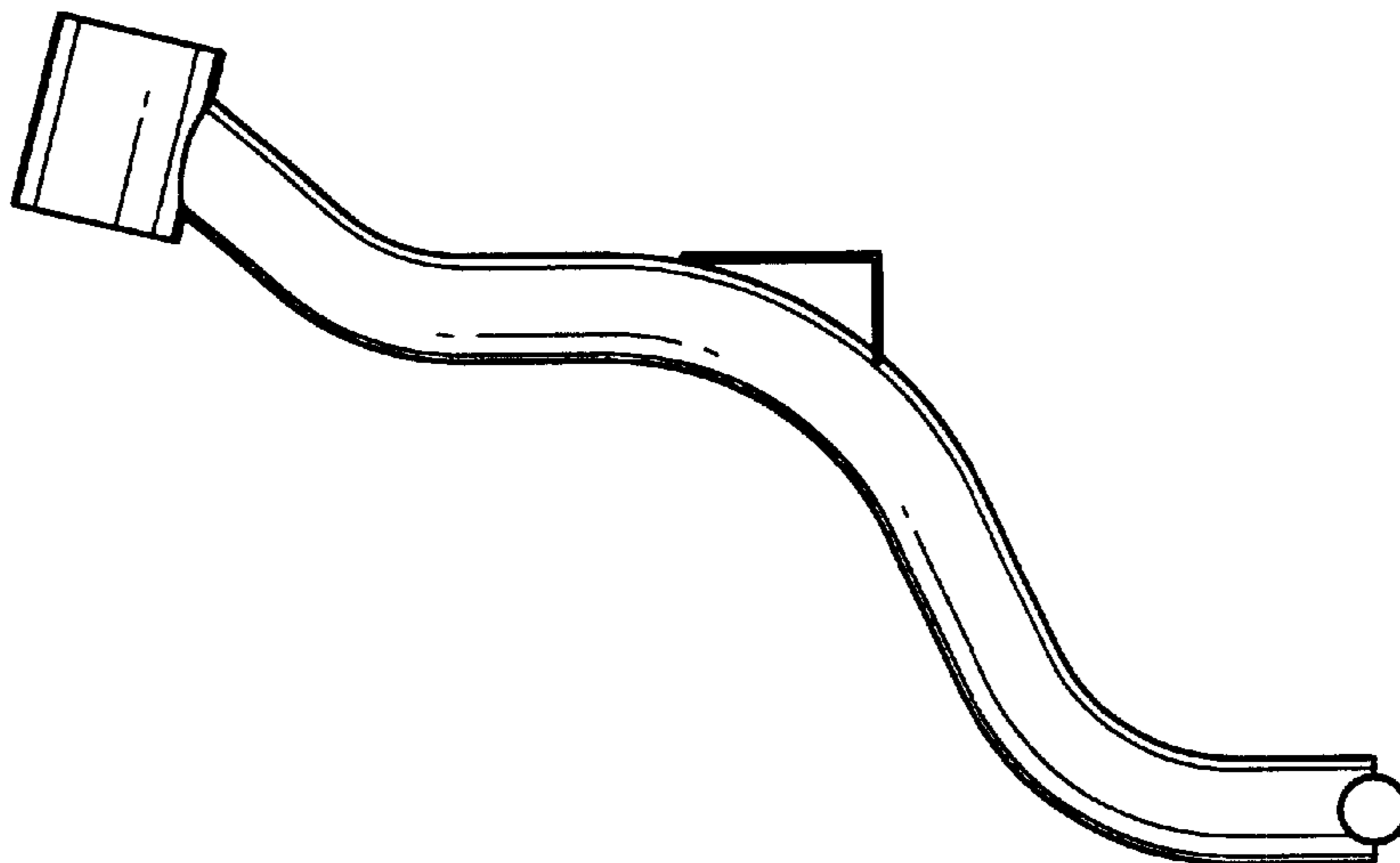


FIG. 5

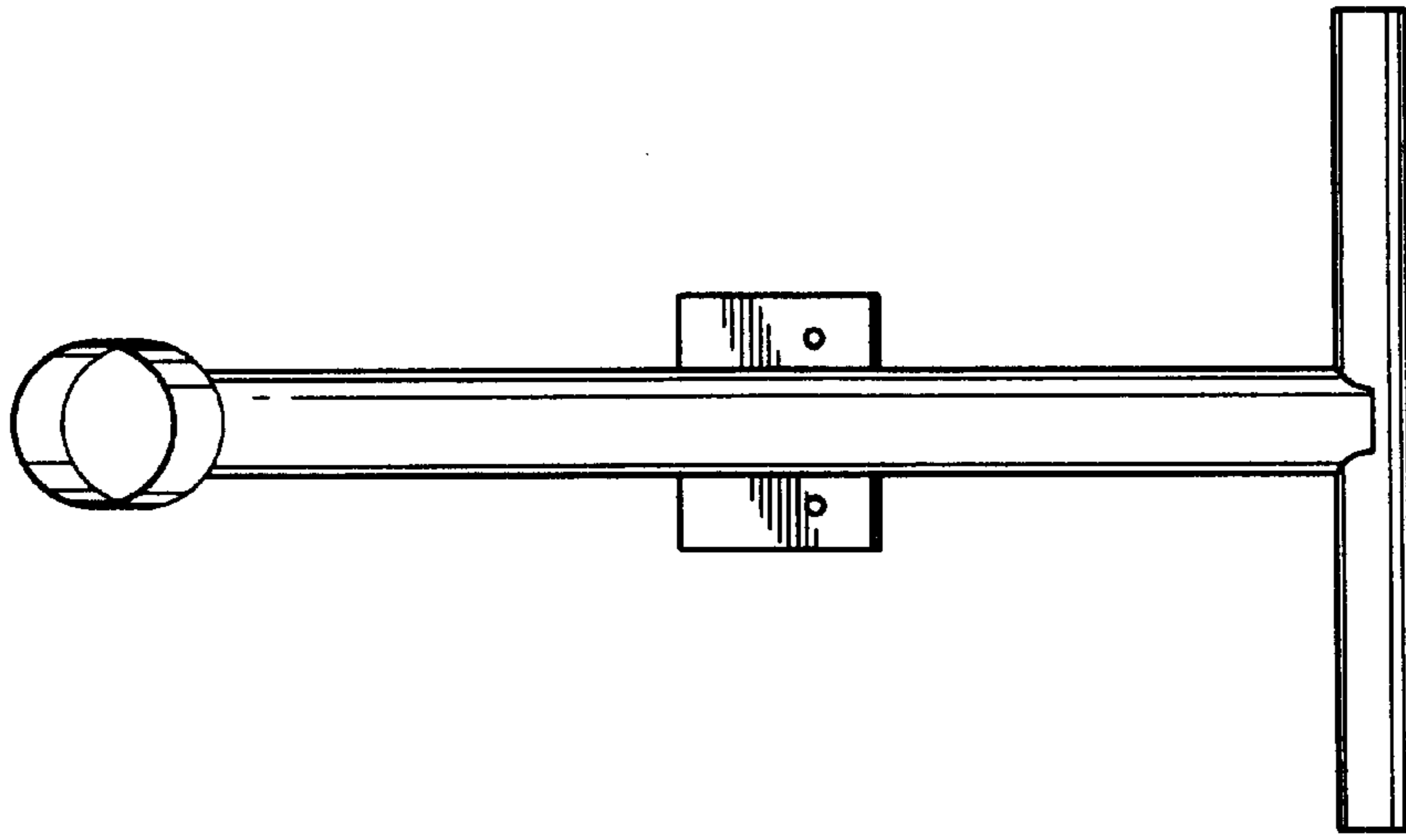


FIG. 7

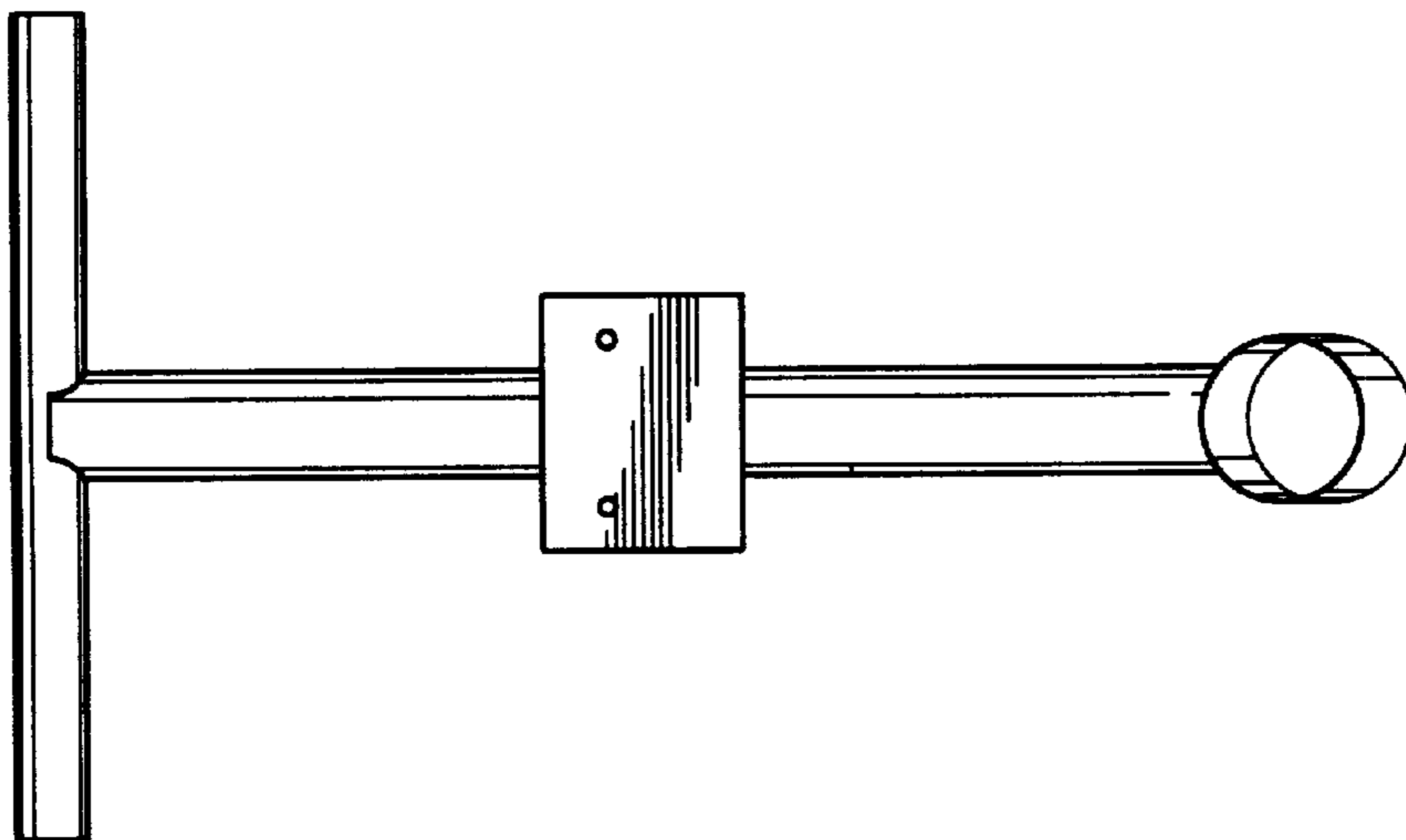


FIG. 6

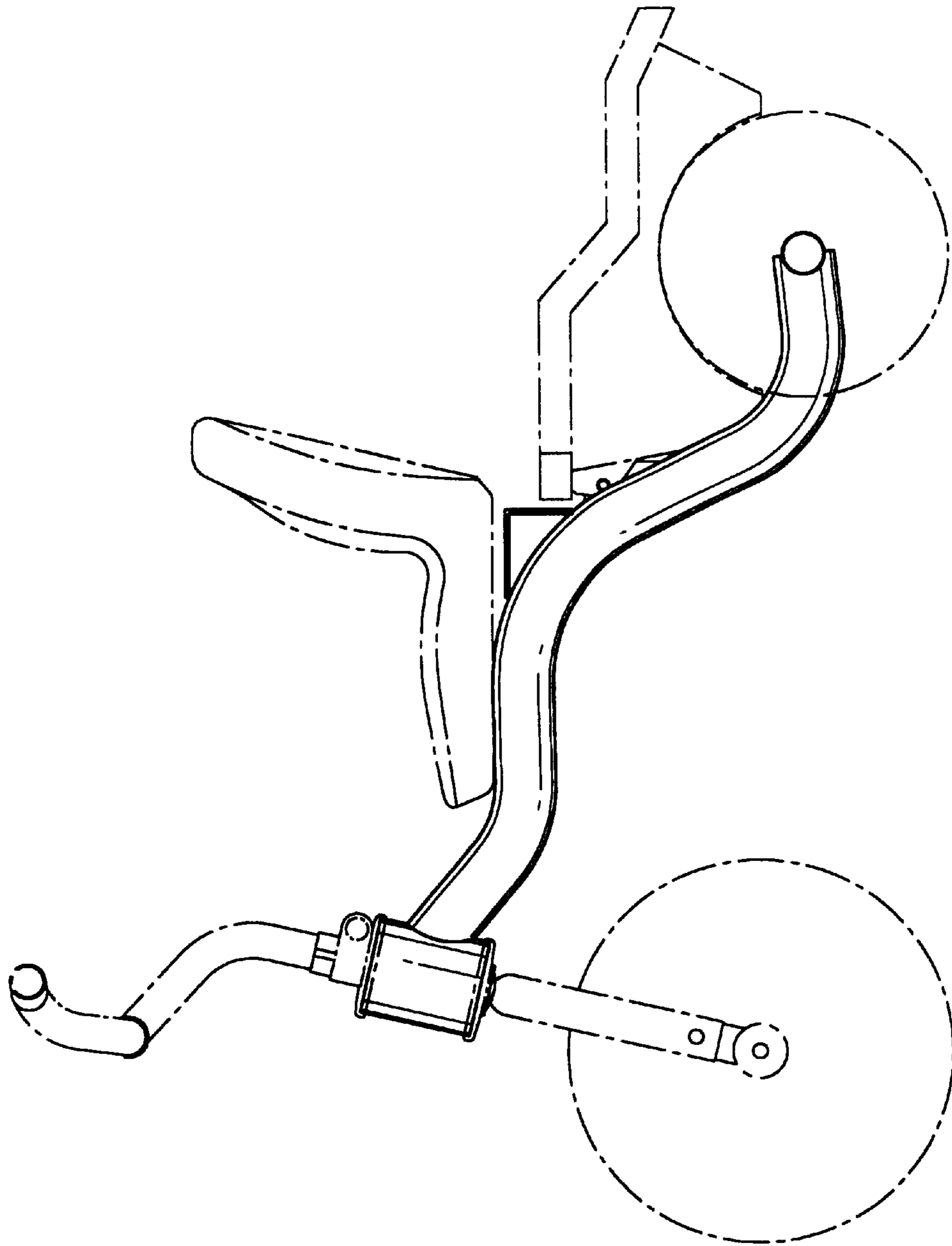


FIG. 8