



US00D477549S

(12) **United States Design Patent**  
**Wu**

(10) **Patent No.:** **US D477,549 S**

(45) **Date of Patent:** **\*\* Jul. 22, 2003**

(54) **BICYCLE**

D157,322 S \* 2/1950 Baretta ..... D12/111

(75) Inventor: **Huan-Ping Wu**, Taipei (TW)

\* cited by examiner

(73) Assignee: **Modas Shing Company Ltd.**, Taipei (TW)

*Primary Examiner*—Alan P. Douglas

*Assistant Examiner*—Linda Brooks

(74) *Attorney, Agent, or Firm*—Dellett and Walters

(\*\*) Term: **14 Years**

(57) **CLAIM**

(21) Appl. No.: **29/155,362**

The ornamental design for a bicycle, as shown.

(22) Filed: **Feb. 7, 2002**

**DESCRIPTION**

(51) **LOC (7) Cl.** ..... **12-11**

(52) **U.S. Cl.** ..... **D12/111**

(58) **Field of Search** ..... D12/110-112;  
280/14.28, 200, 260, 261, 270, 259, 271,  
274-288, 288.1-288.4

FIG. 1 is a perspective view of a bicycle, showing my new design;

FIG. 2 is a front view thereof;

FIG. 3 is a rear view thereof;

FIG. 4 is a left side view thereof;

FIG. 5 is a right side view thereof;

FIG. 6 is a top plan view thereof; and,

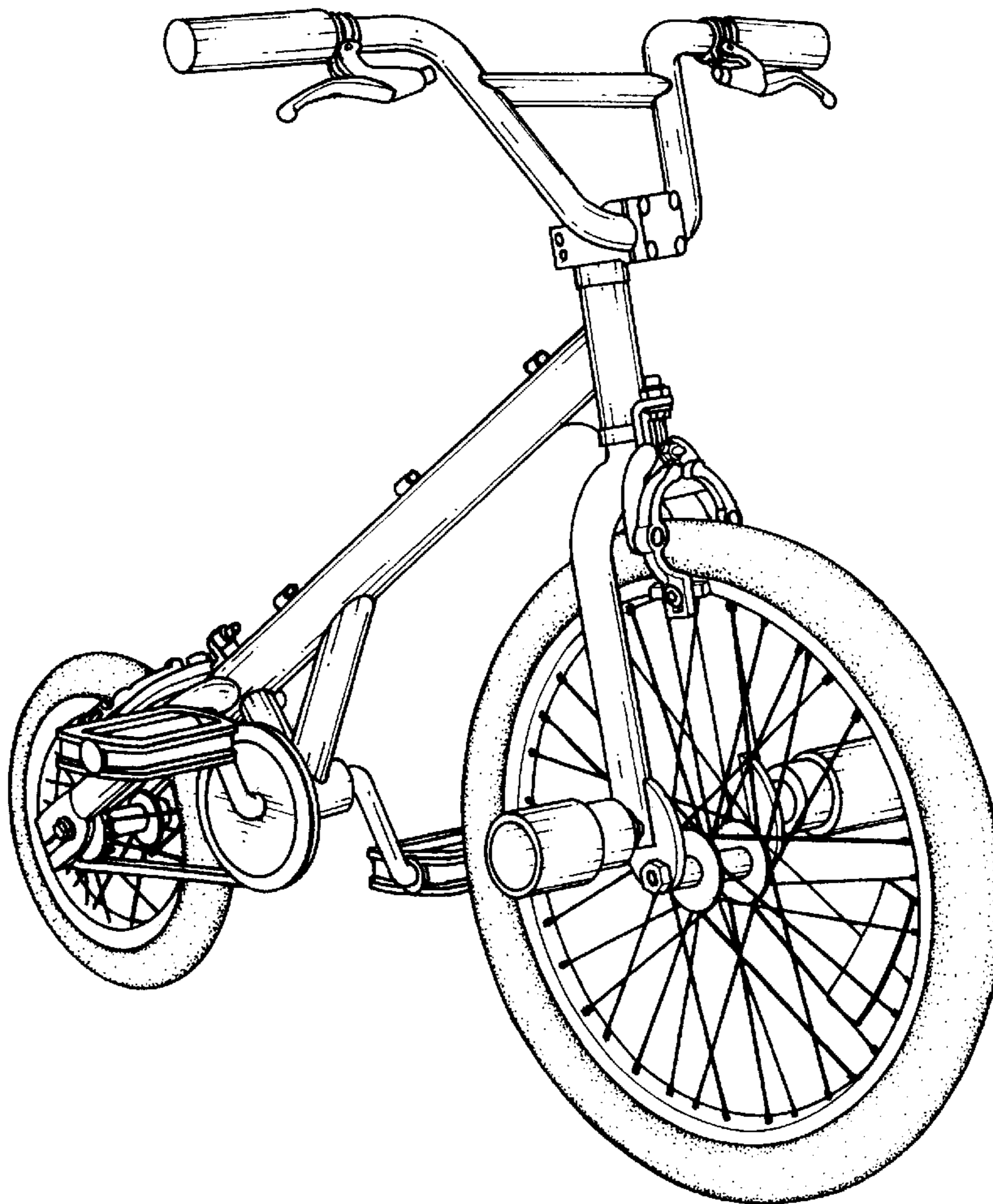
FIG. 7 is a bottom plan view thereof.

(56) **References Cited**

**U.S. PATENT DOCUMENTS**

1,514,720 A \* 11/1924 Pauly ..... 280/259

**1 Claim, 6 Drawing Sheets**



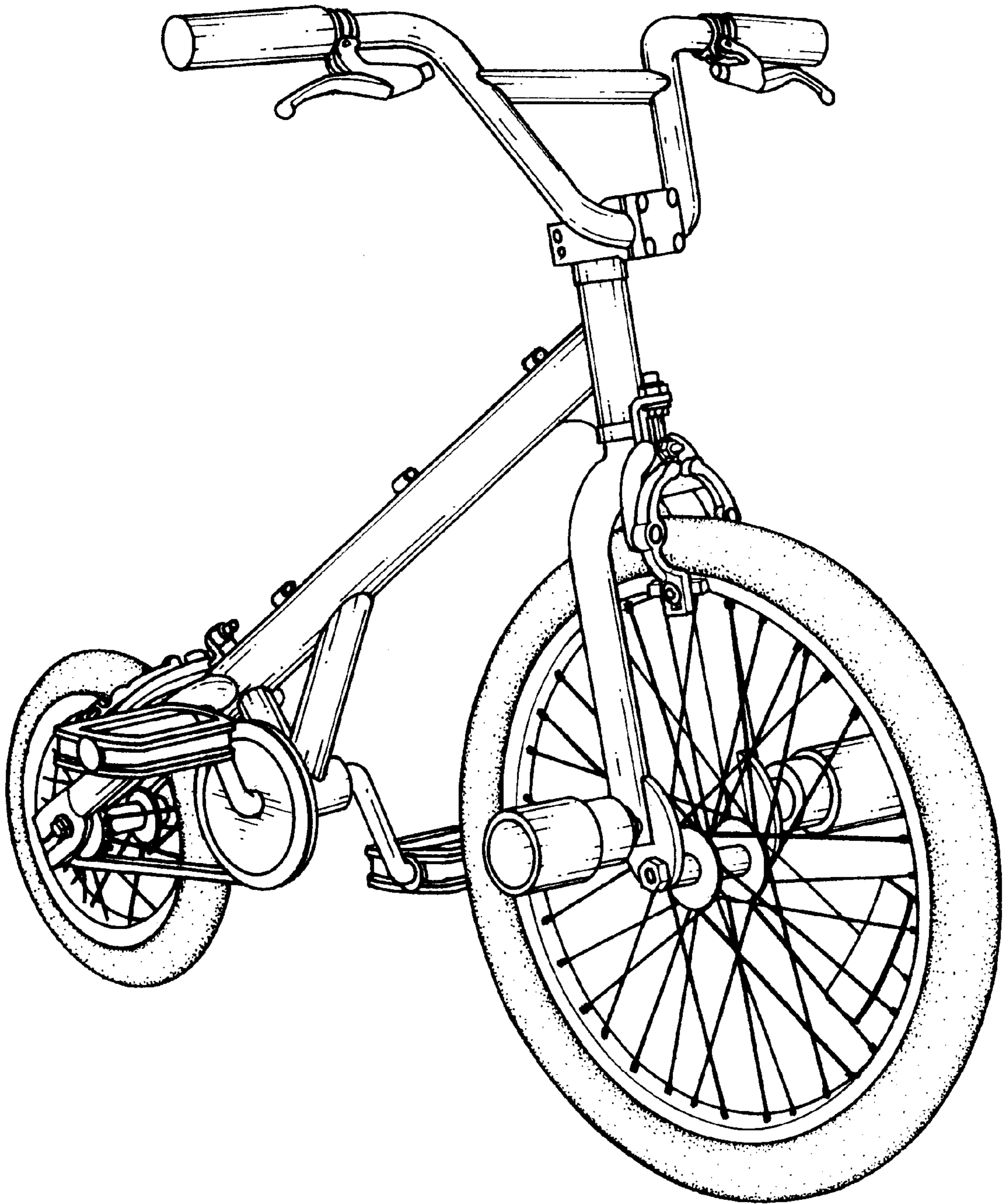


FIG. 1

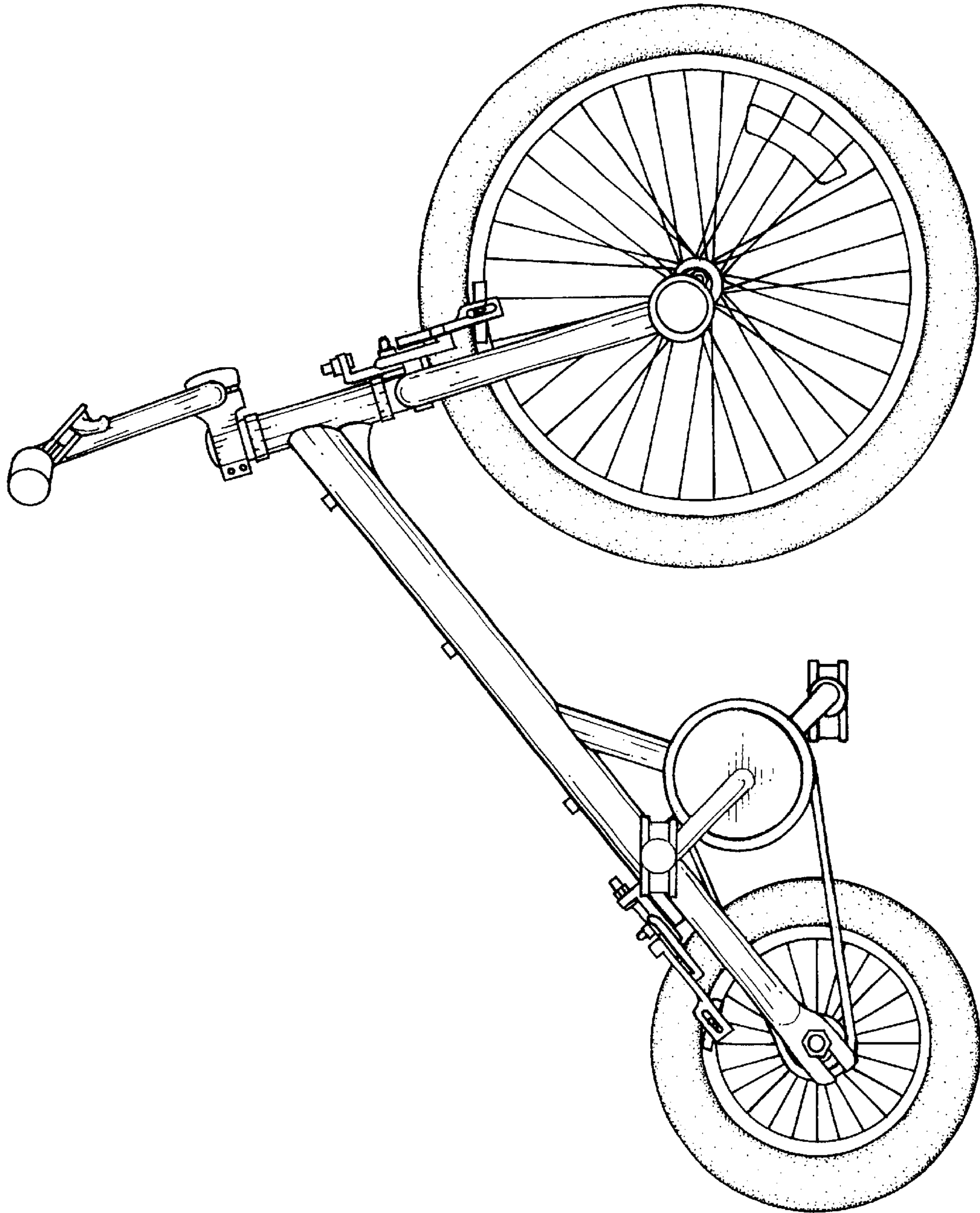


FIG.2

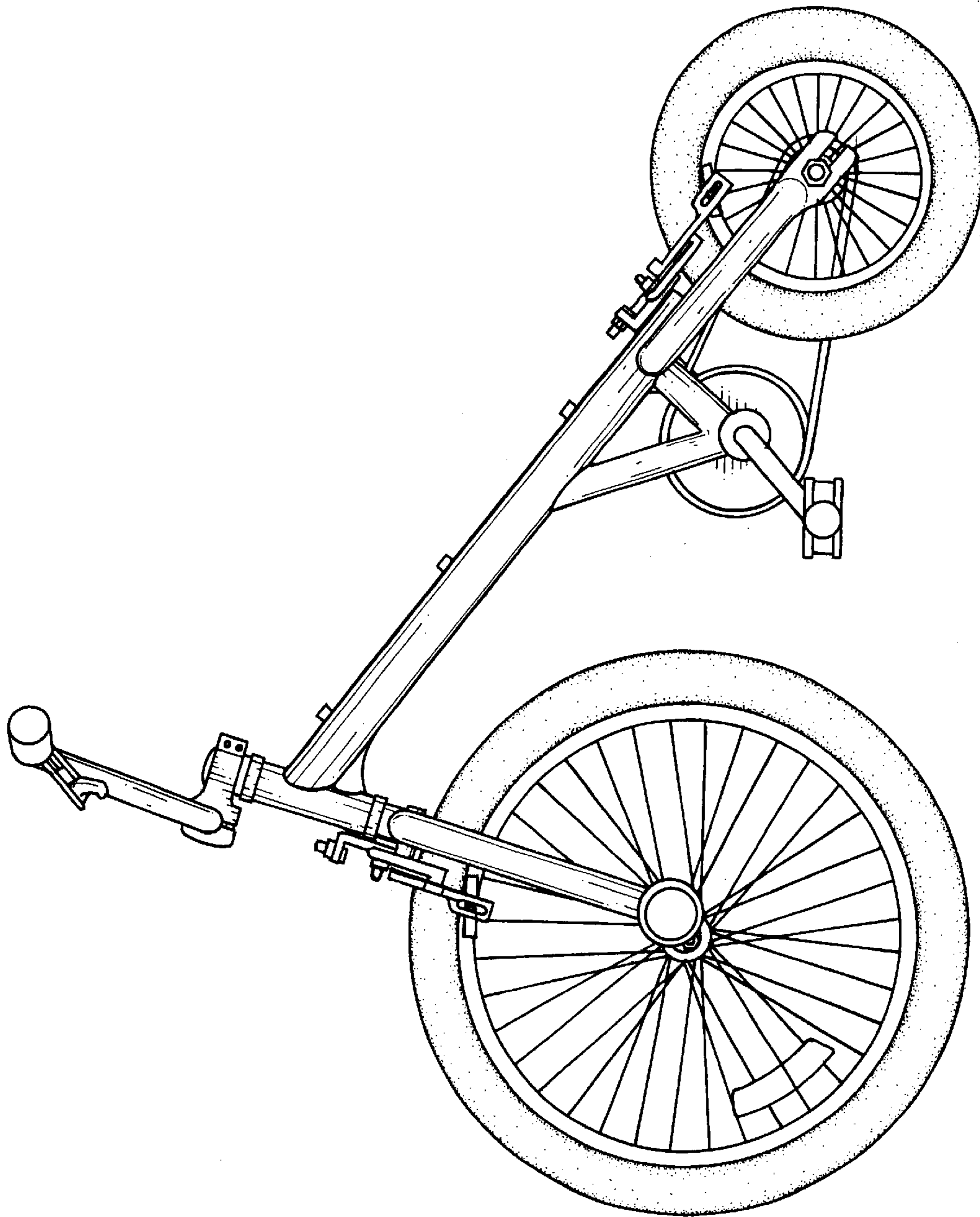


FIG.3

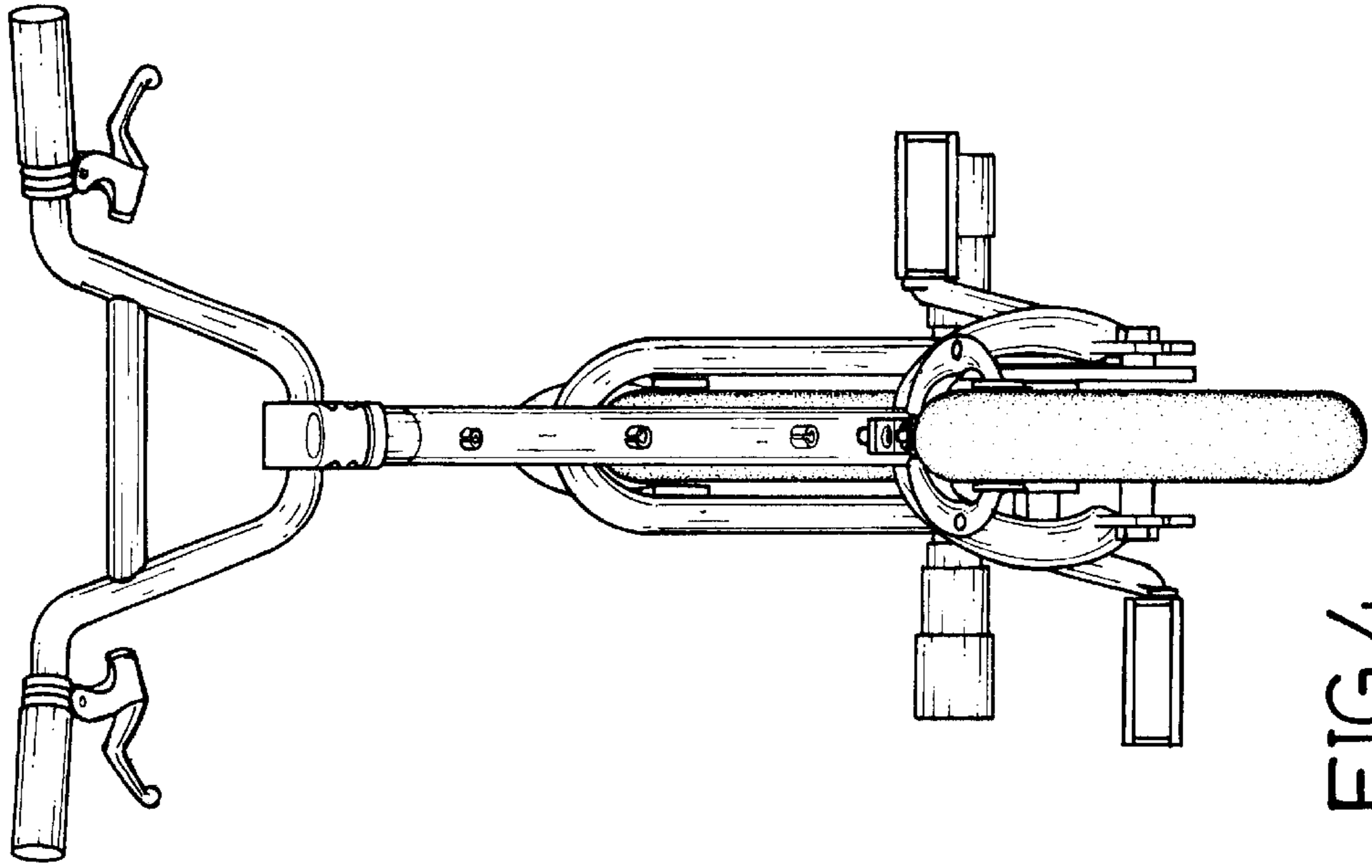


FIG. 4

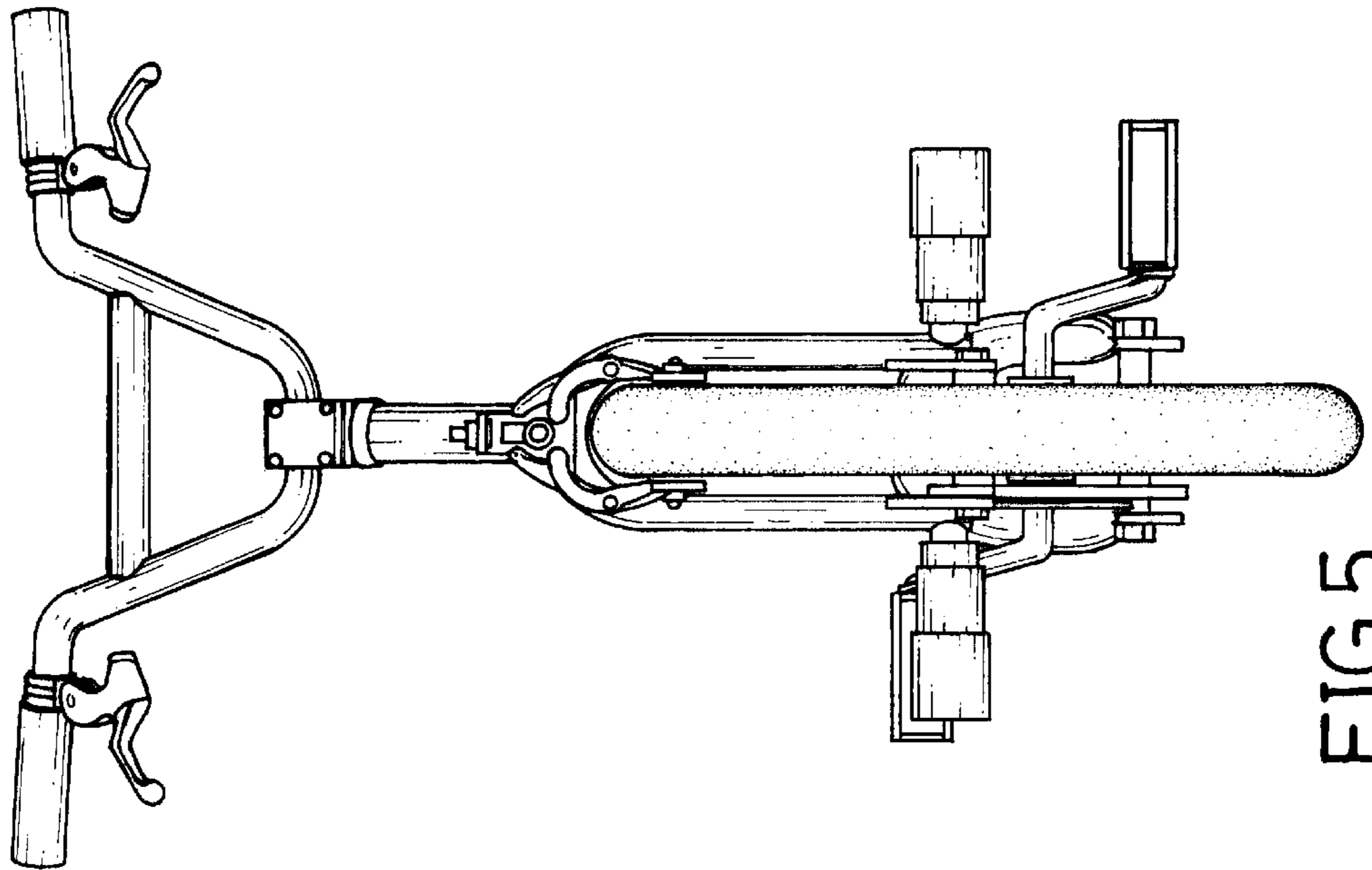


FIG. 5

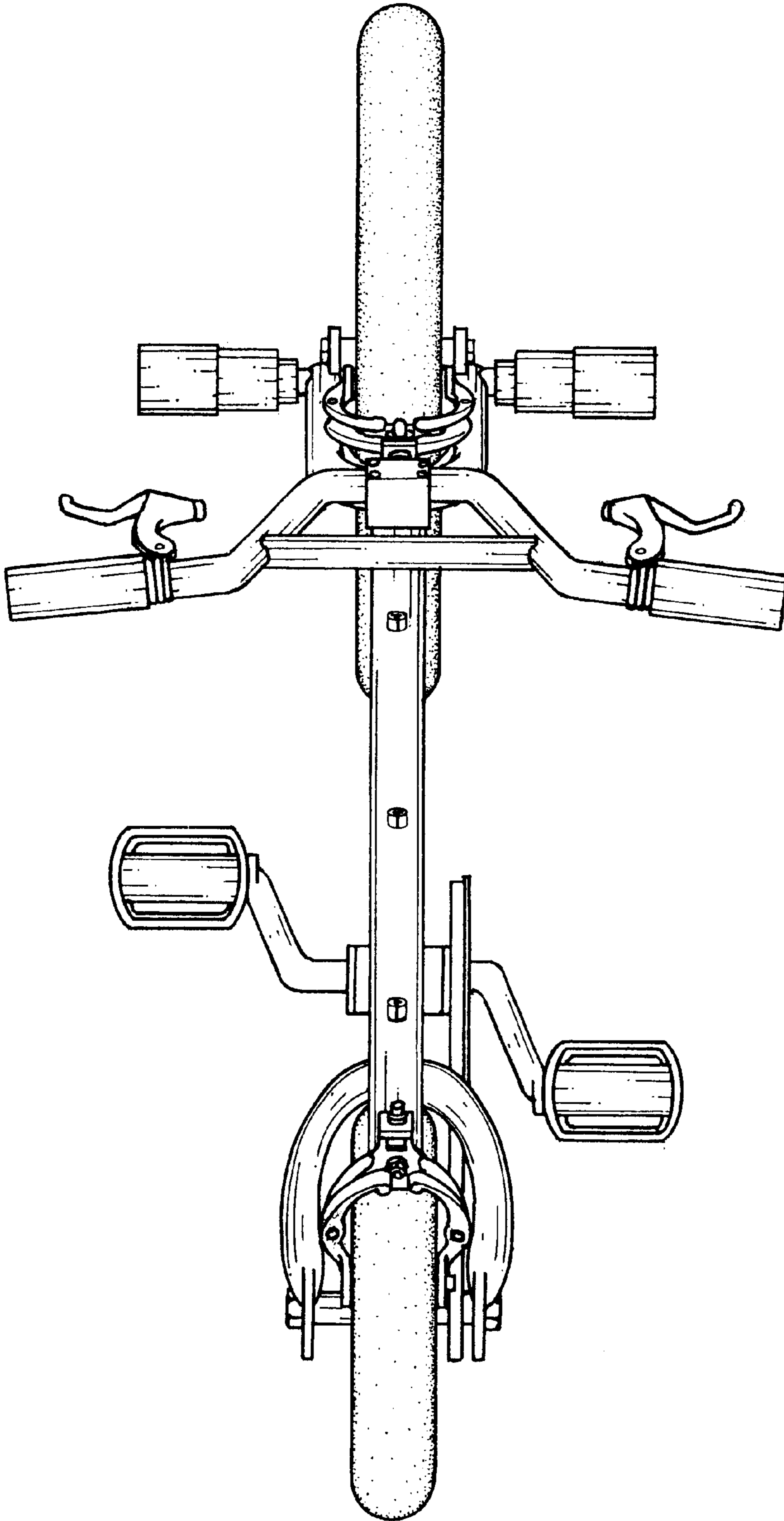


FIG.6

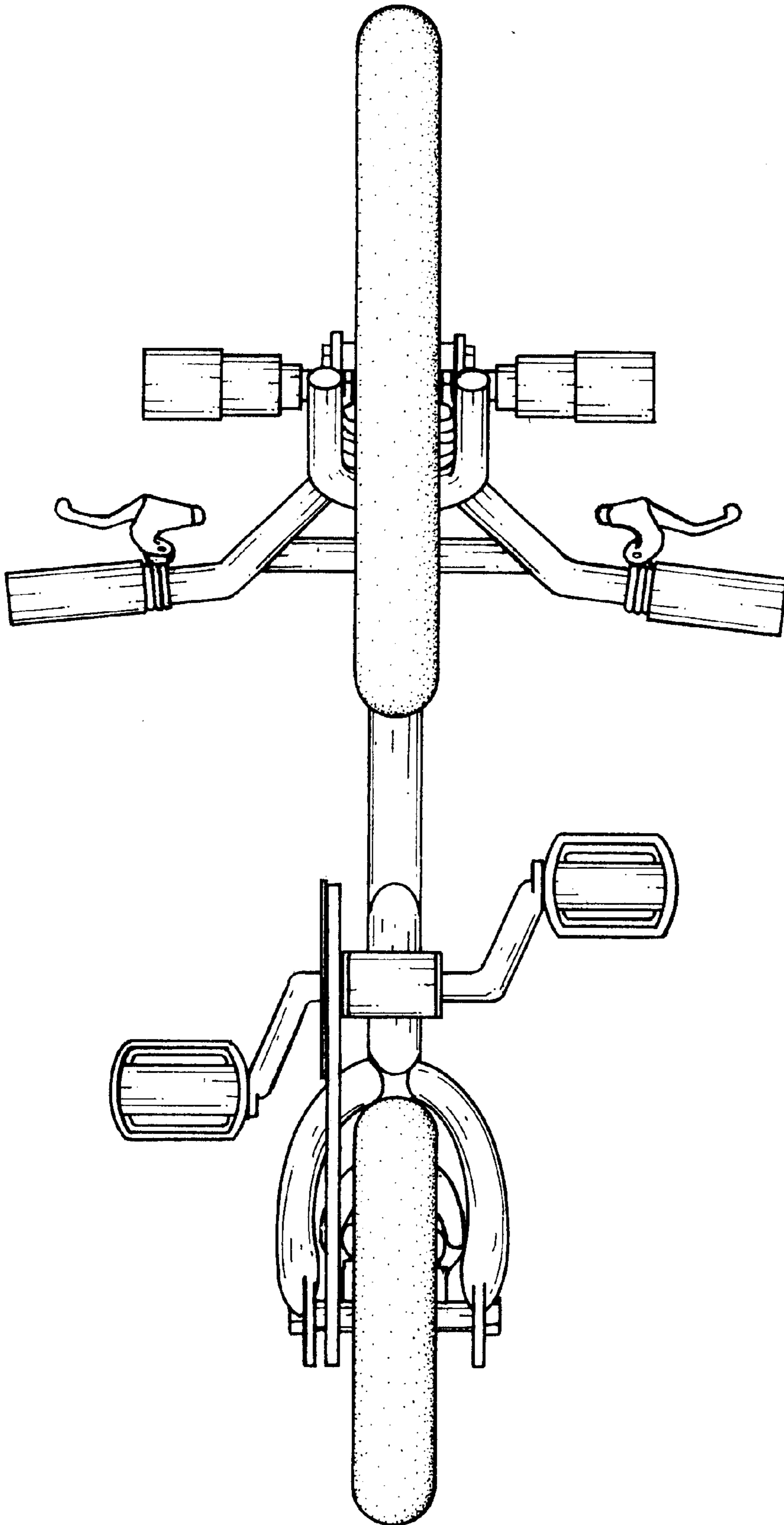


FIG.7