



US00D477544S

(12) **United States Design Patent**
Renner et al.

(10) **Patent No.:** **US D477,544 S**

(45) **Date of Patent:** **** Jul. 22, 2003**

(54) **FIRE DETECTOR**

(75) Inventors: **Reinhard Renner**, Esslingen (DE);
Klaus Baumgartner, Esslingen (DE)

(73) Assignee: **Siemens Building Technologies AG**
(CH)

(**) Term: **14 Years**

(21) Appl. No.: **29/163,909**

(22) Filed: **Jul. 15, 2002**

(30) **Foreign Application Priority Data**

Jan. 31, 2002 (WO) DM/058 936

(51) **LOC (7) Cl.** **10-05**

(52) **U.S. Cl.** **D10/106**

(58) **Field of Search** D10/104, 106;
340/545, 547, 555, 578, 586, 628, 629,
630, 693.11, 693.9

(56) **References Cited**

U.S. PATENT DOCUMENTS

D357,203 S * 4/1995 Ozawa D10/106
D358,109 S * 5/1995 Ozawa D10/106
6,300,876 B1 * 10/2001 Sakurai et al. 340/630
6,433,700 B1 * 8/2002 Malewski et al. 340/693.11

* cited by examiner

Primary Examiner—Antoine Duval Davis
(74) *Attorney, Agent, or Firm*—Baker Botts LLP

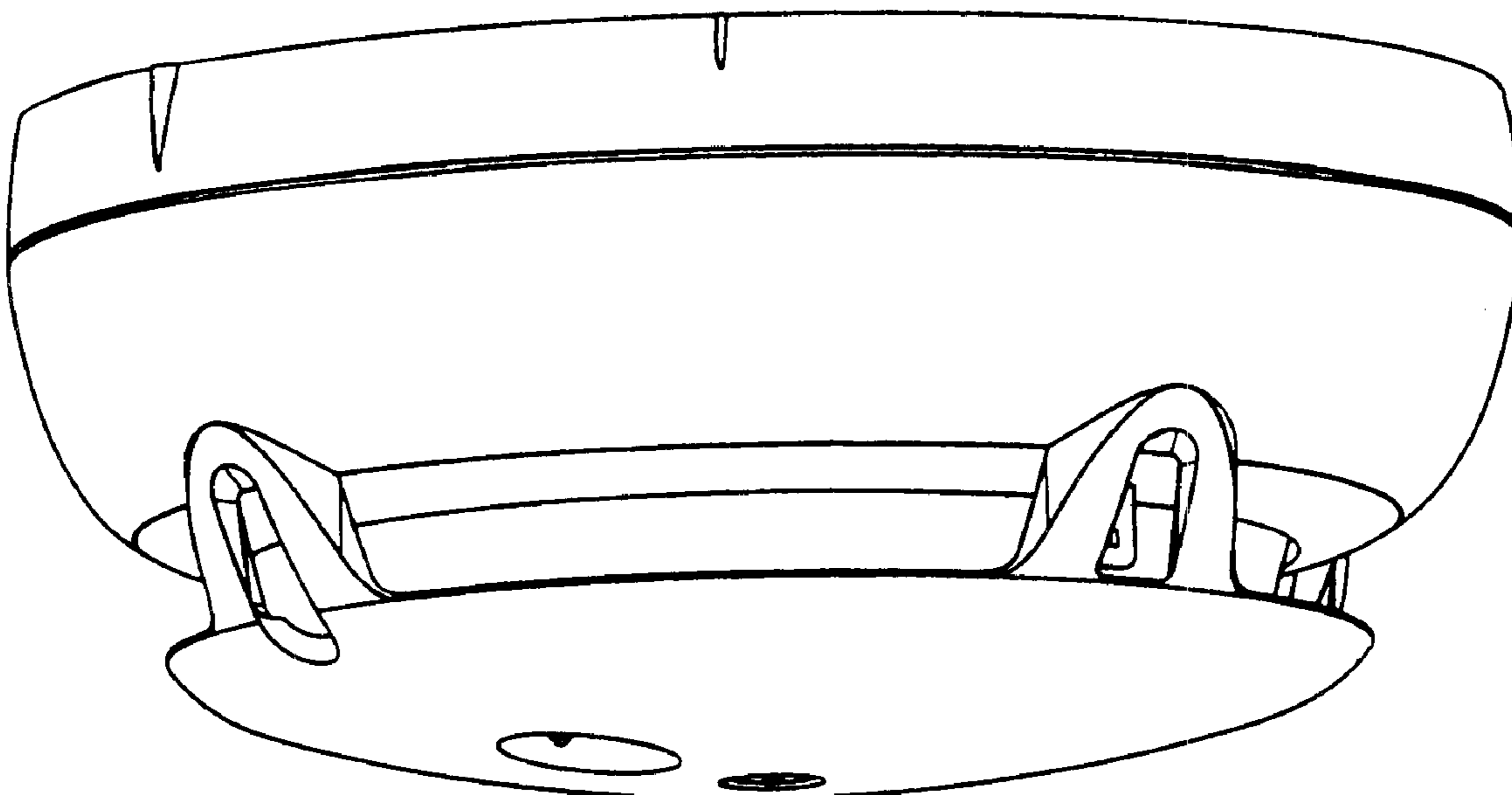
(57) **CLAIM**

The ornamental design for a fire detector, as shown and described.

DESCRIPTION

FIG. 1 is a perspective view of a first embodiment of a fire detector;
FIG. 2 is a front view of the fire detector of FIG. 1;
FIG. 3 is a bottom view of the fire detector of FIG. 1;
FIG. 4 is a back view of the fire detector of FIG. 1;
FIG. 5 is a side elevation view of the fire detector of FIG. 1 from the left and the right side (identical views from both sides);
FIG. 6 is a top view of the fire detector of FIG. 1.
FIG. 7 is a perspective view of a second embodiment of a fire detector;
FIG. 8 is a front view of the fire detector of FIG. 7;
FIG. 9 is a bottom view of the fire detector of FIG. 7;
FIG. 10 is a back view of the fire detector of FIG. 7;
FIG. 11 is a side elevation view of the fire detector of FIG. 7 from the right side;
FIG. 12 is a side elevation view of the fire detector of FIG. 7 from the left side; and,
FIG. 13 is a top view of the fire detector of FIG. 7.

1 Claim, 5 Drawing Sheets



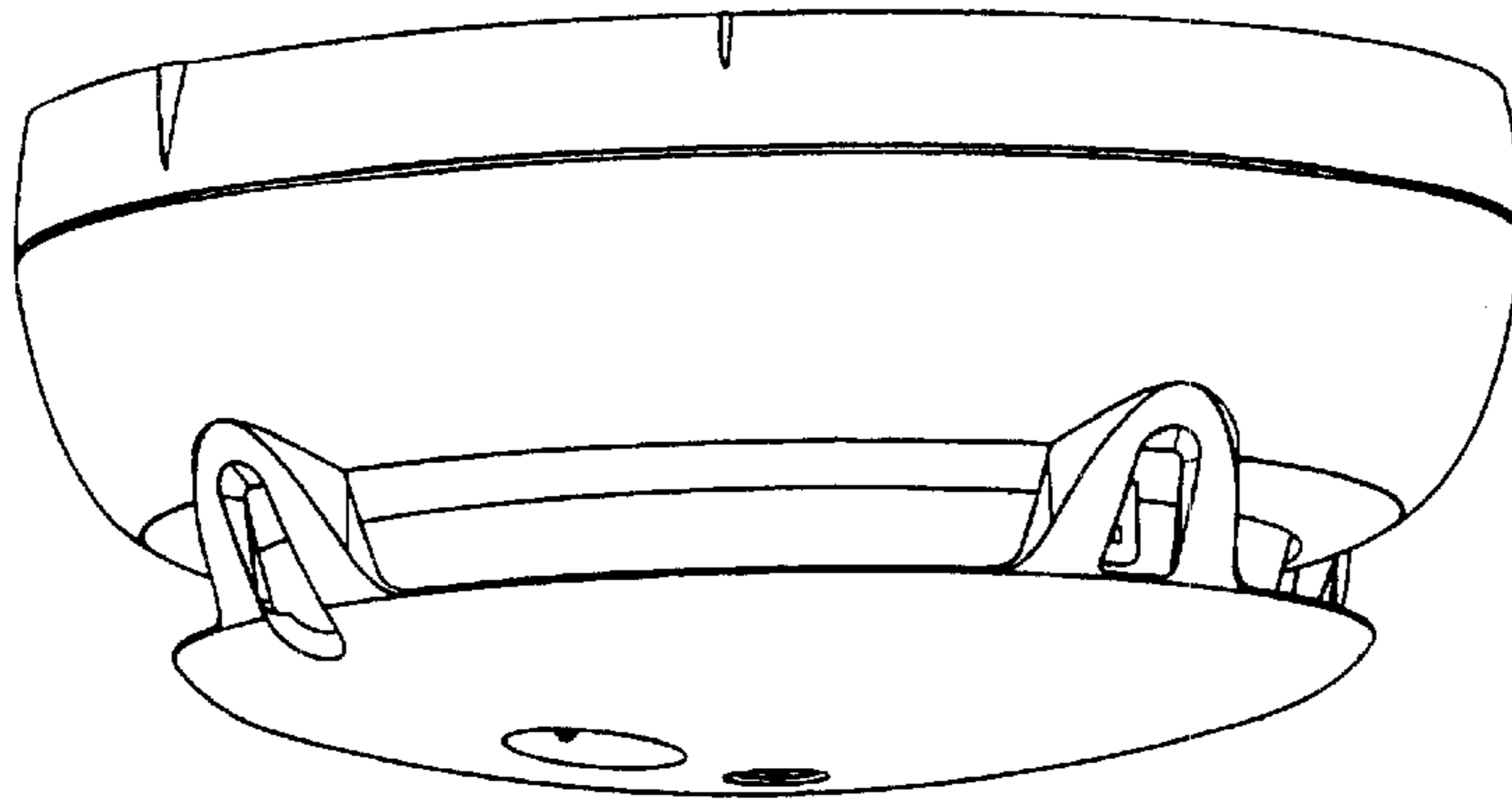


FIG. 1

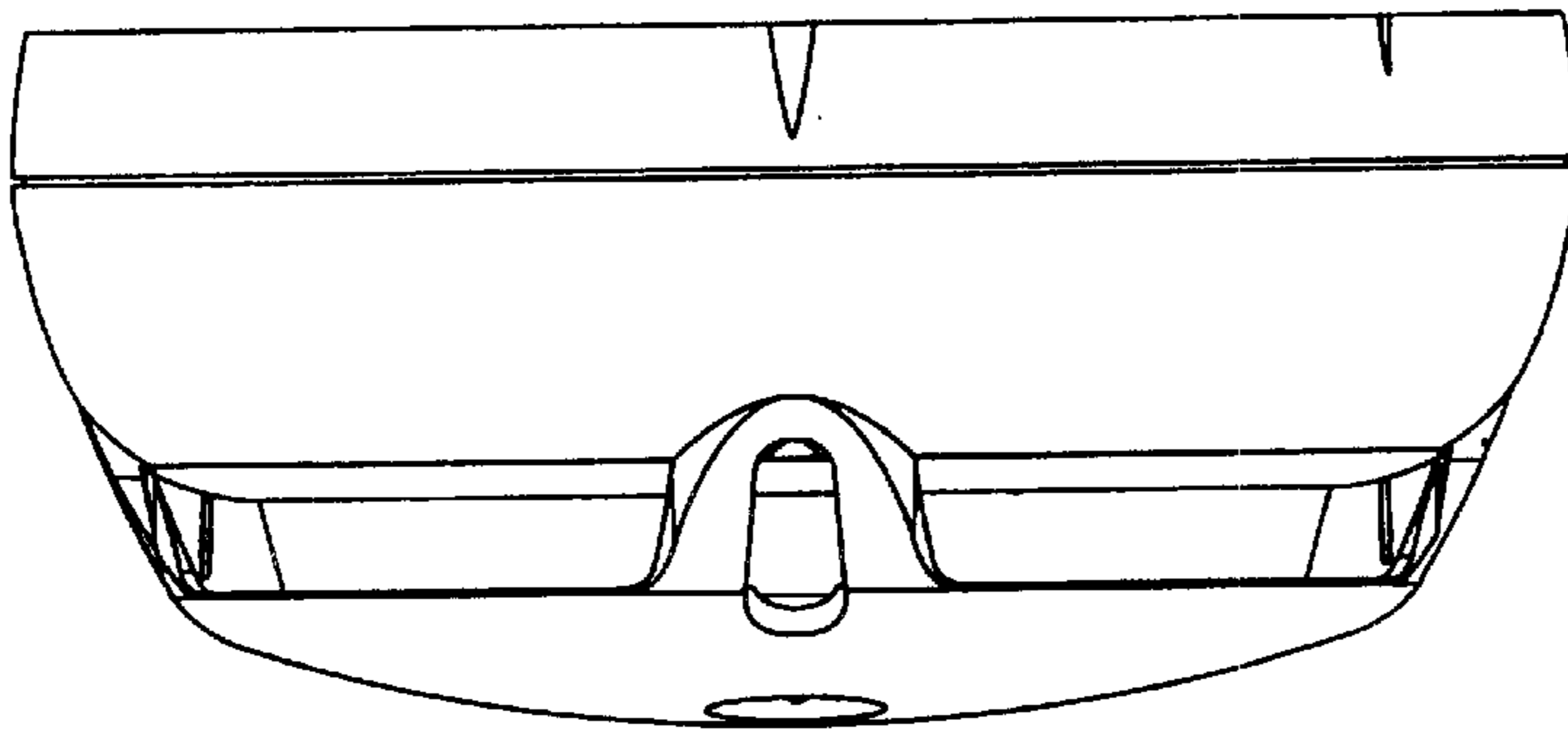


FIG. 2

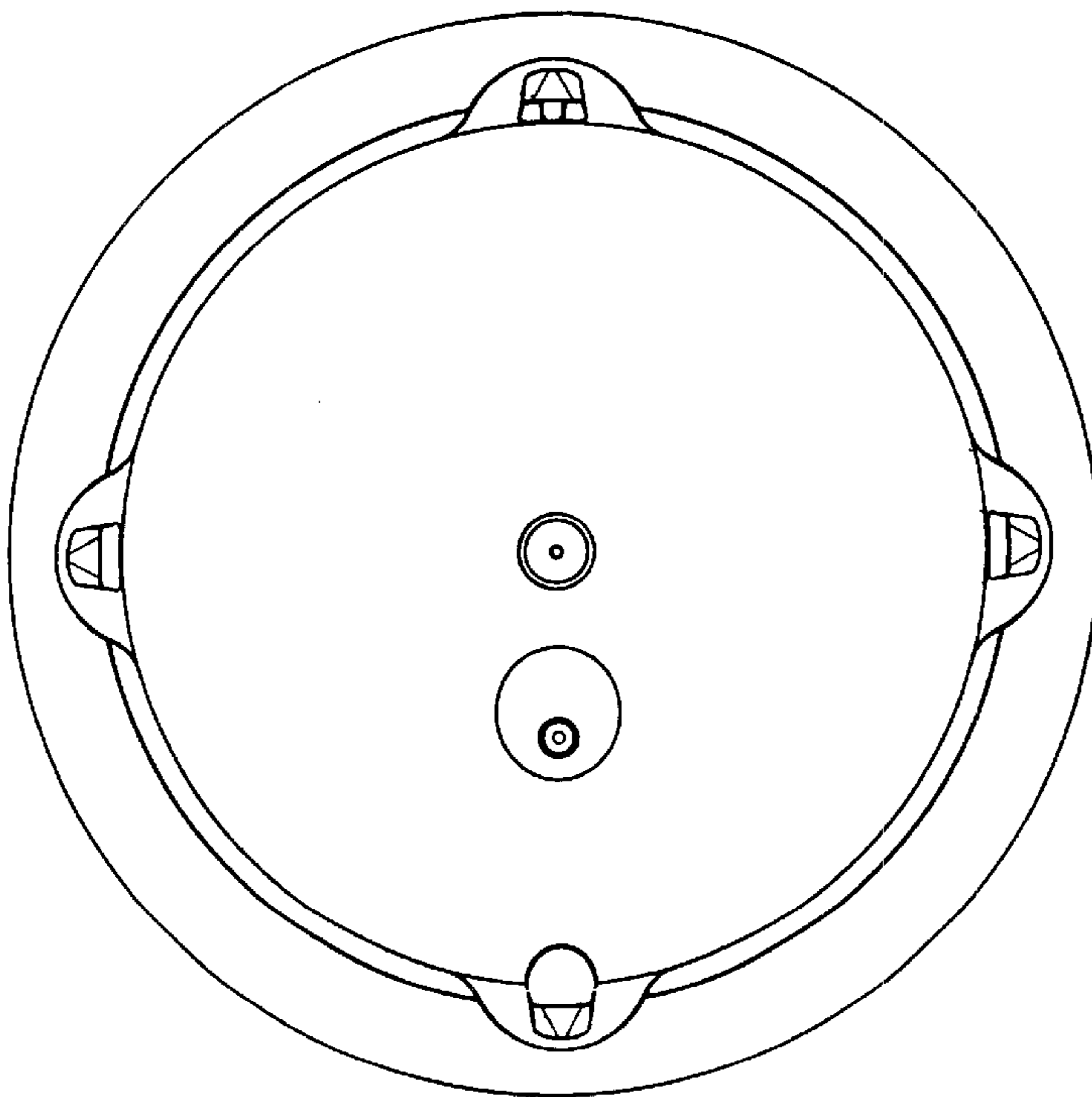


FIG. 3

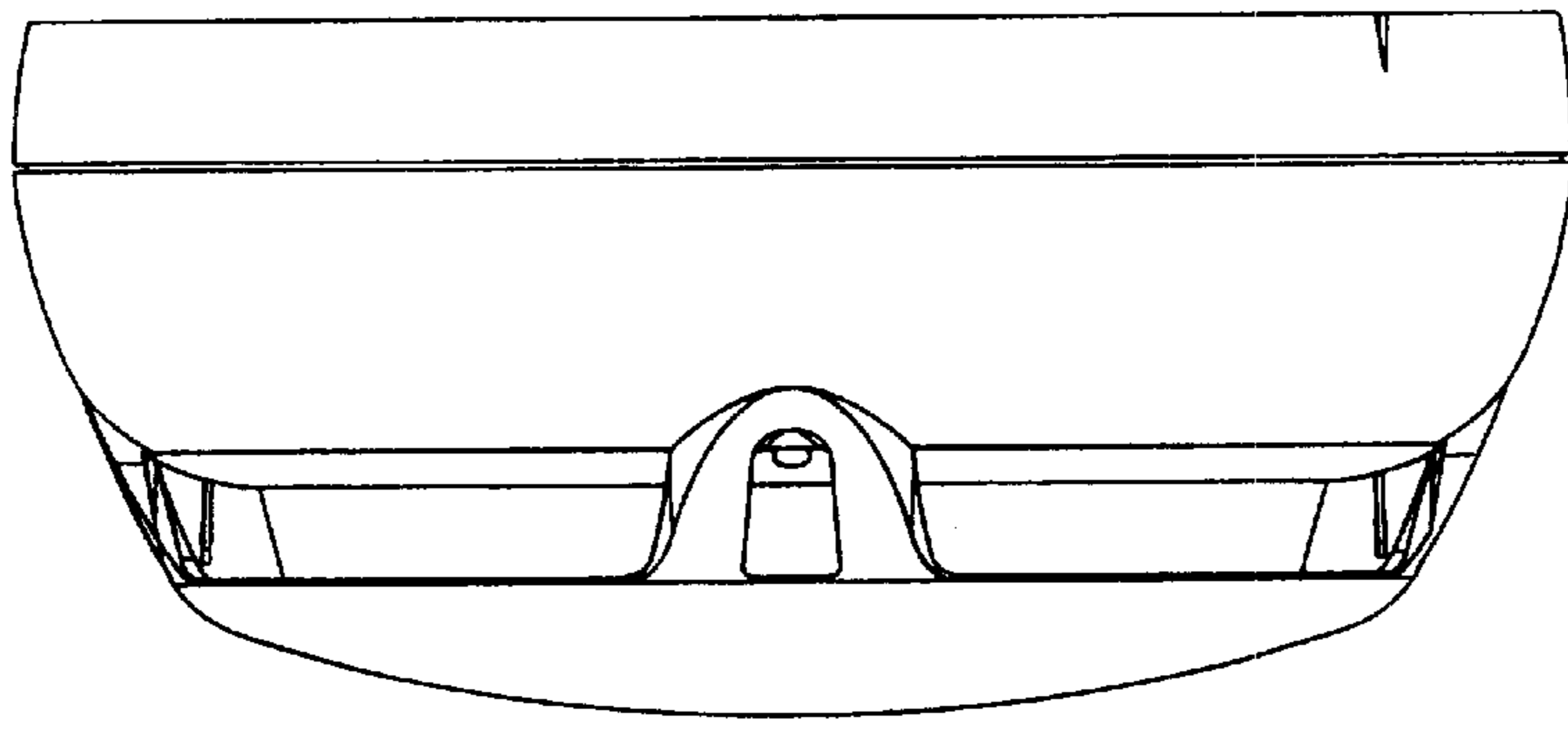


FIG. 4

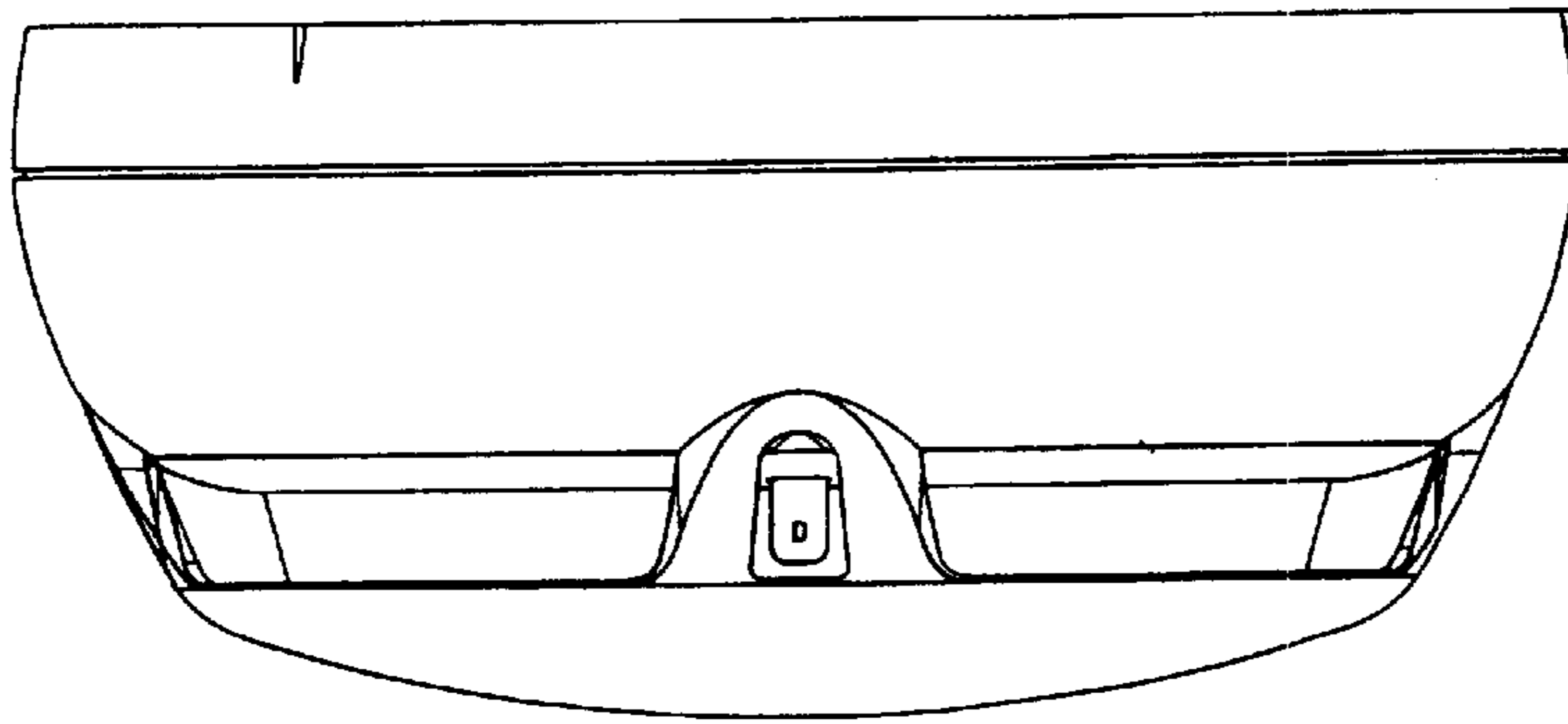


FIG. 5

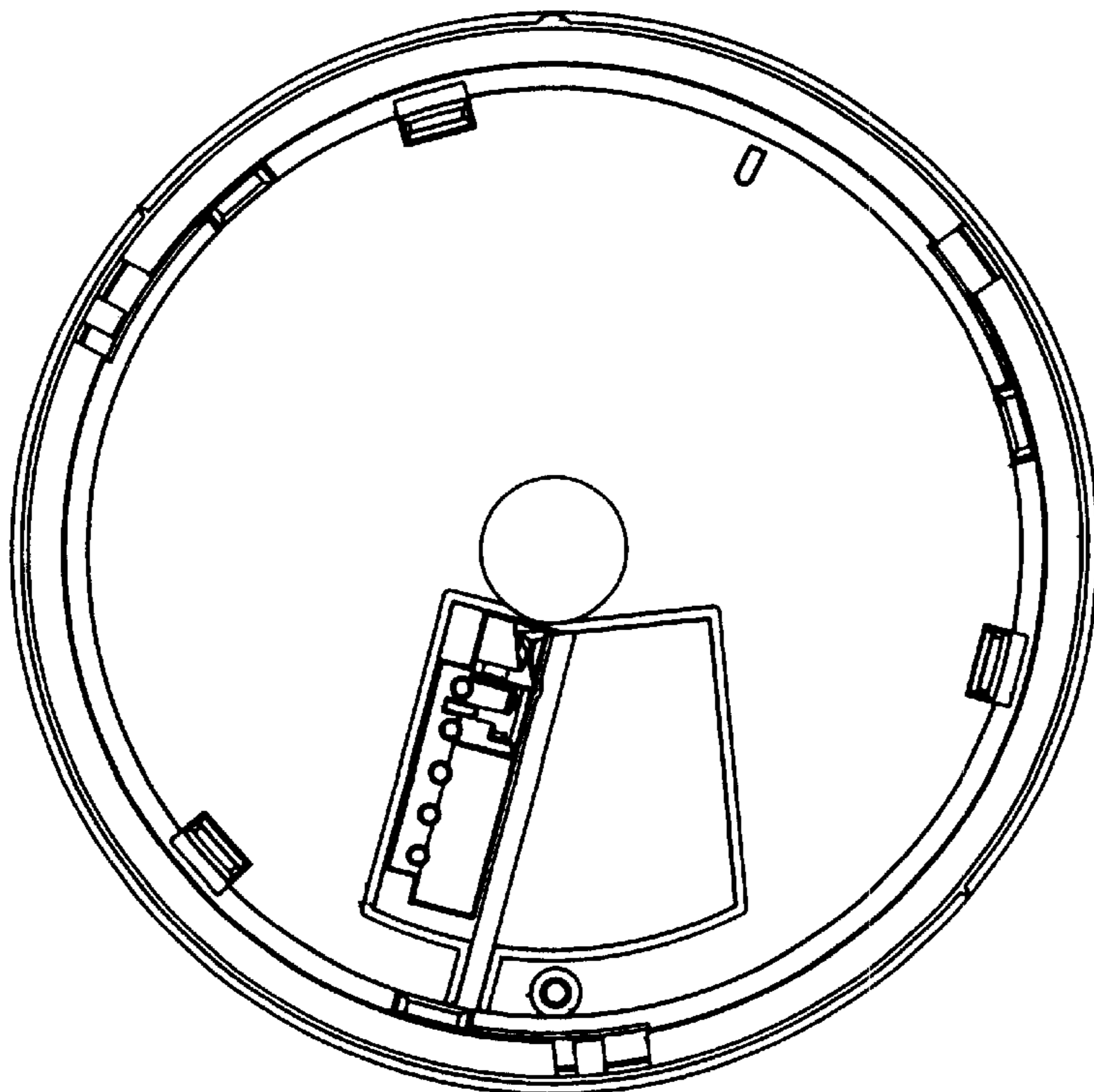


FIG. 6

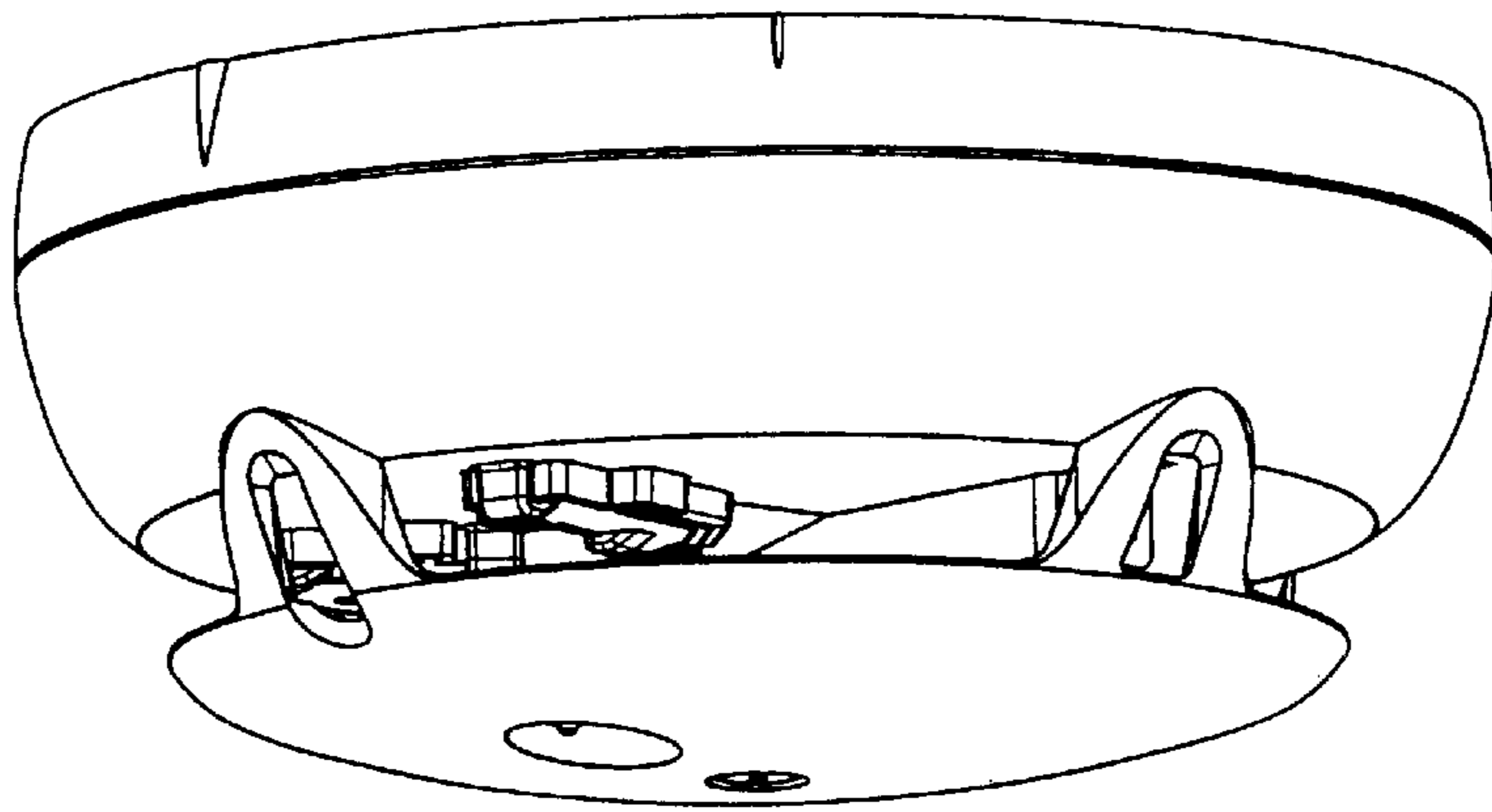


FIG. 7

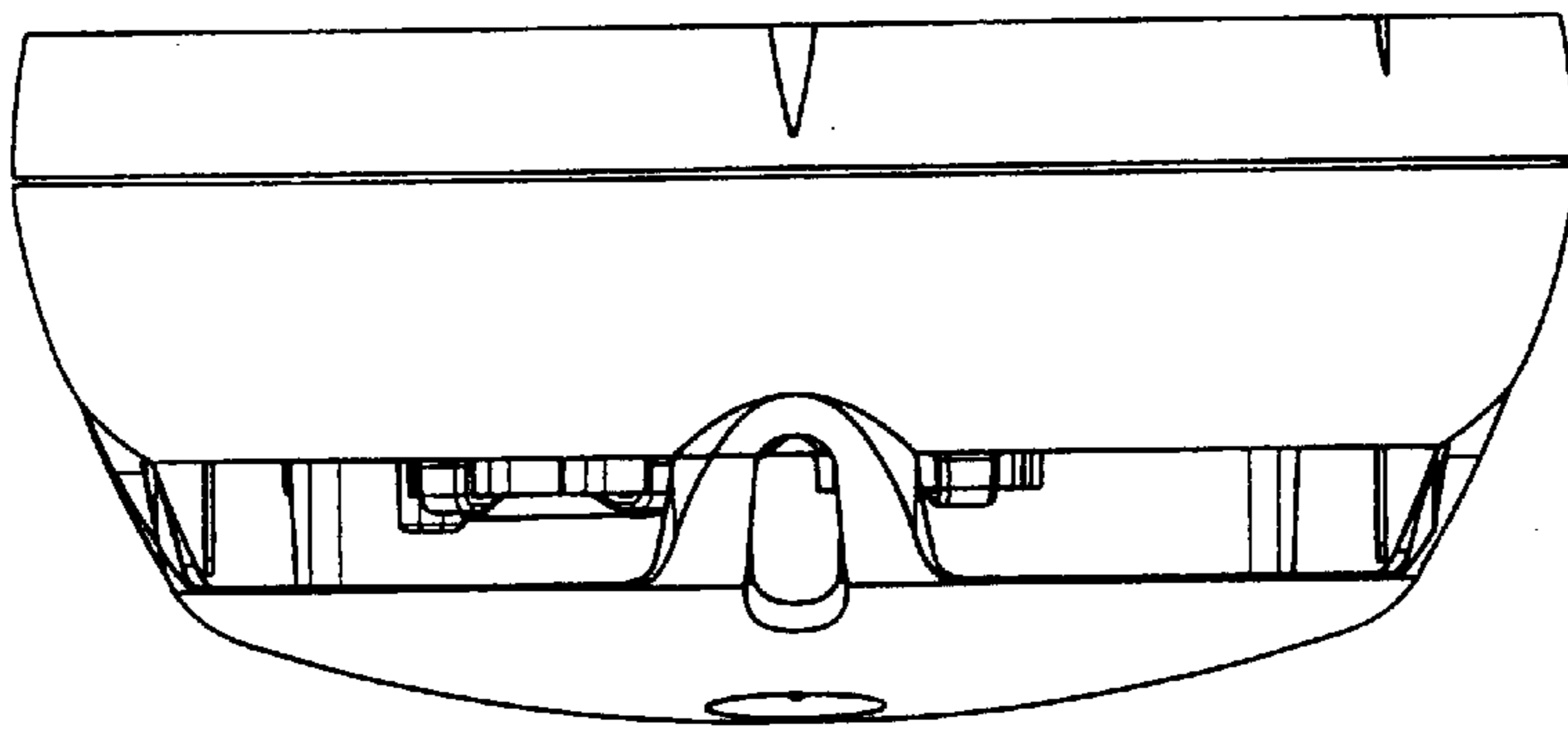


FIG. 8

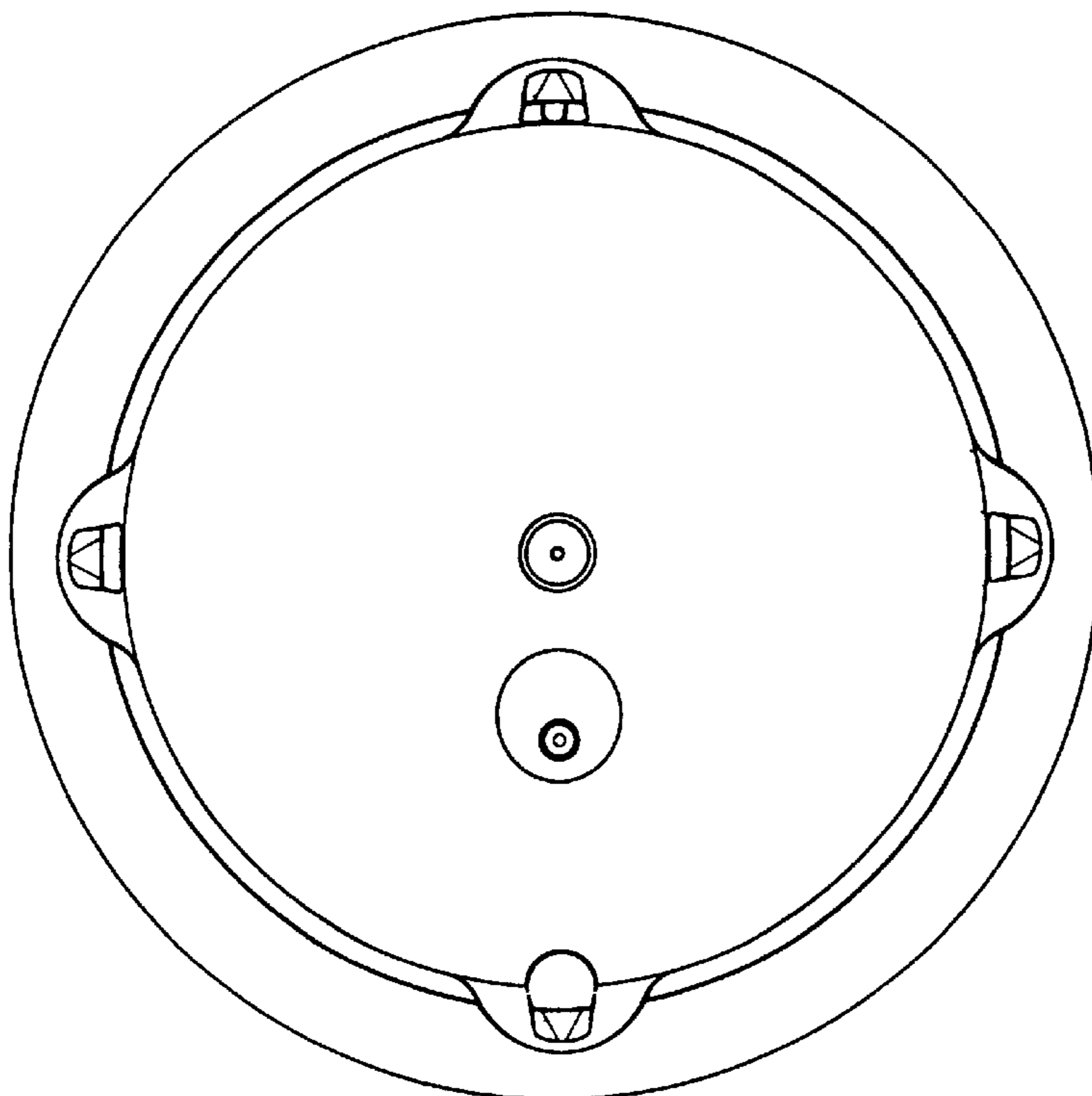


FIG. 9

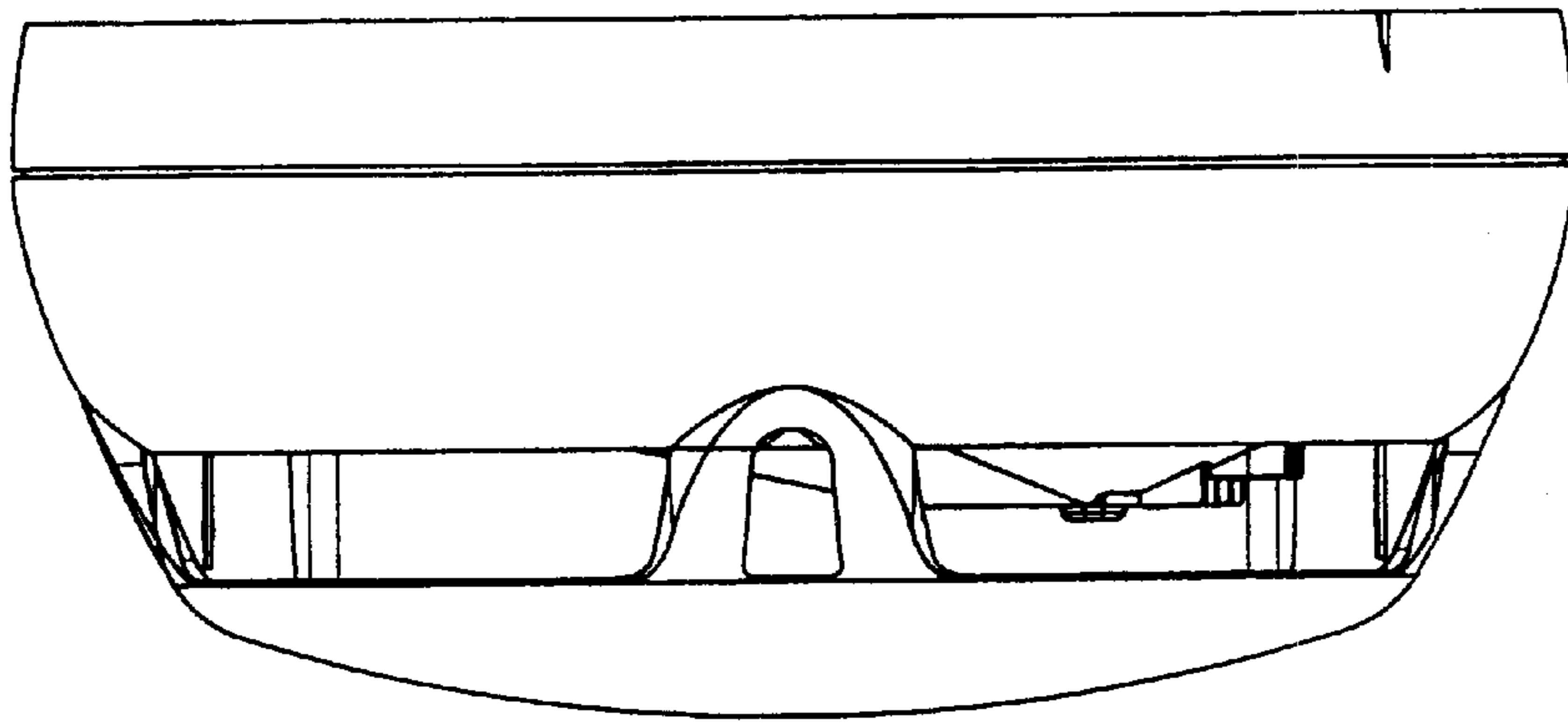


FIG. 10

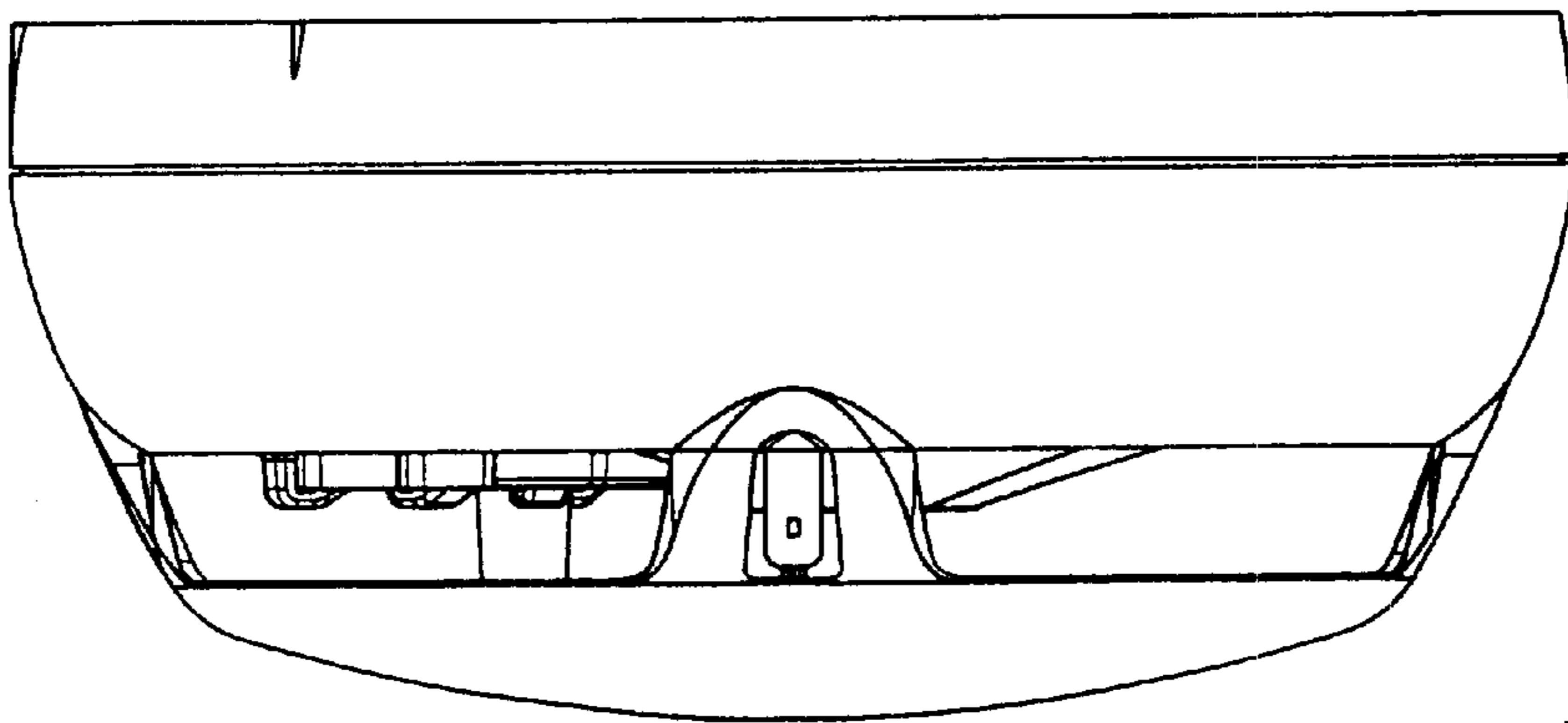


FIG. 11

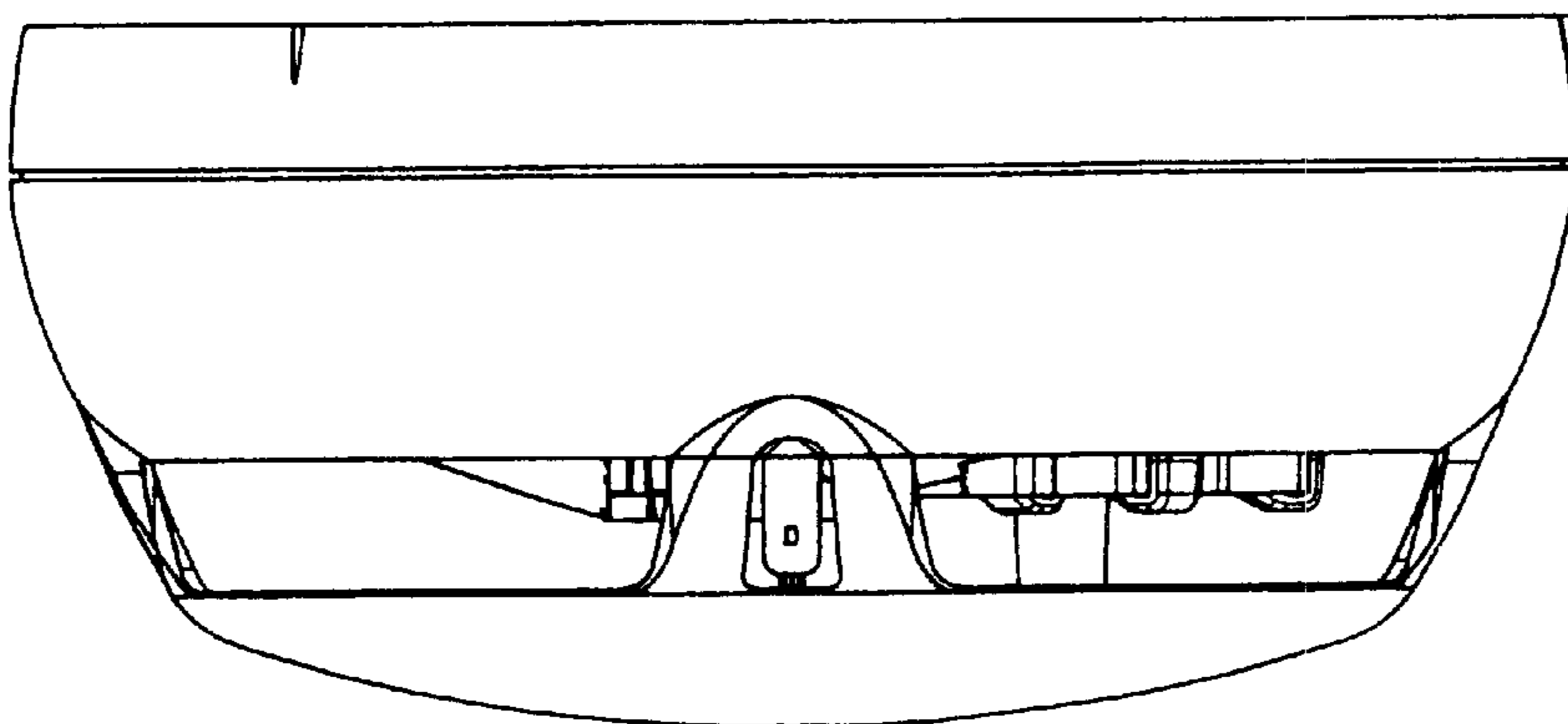


FIG. 12

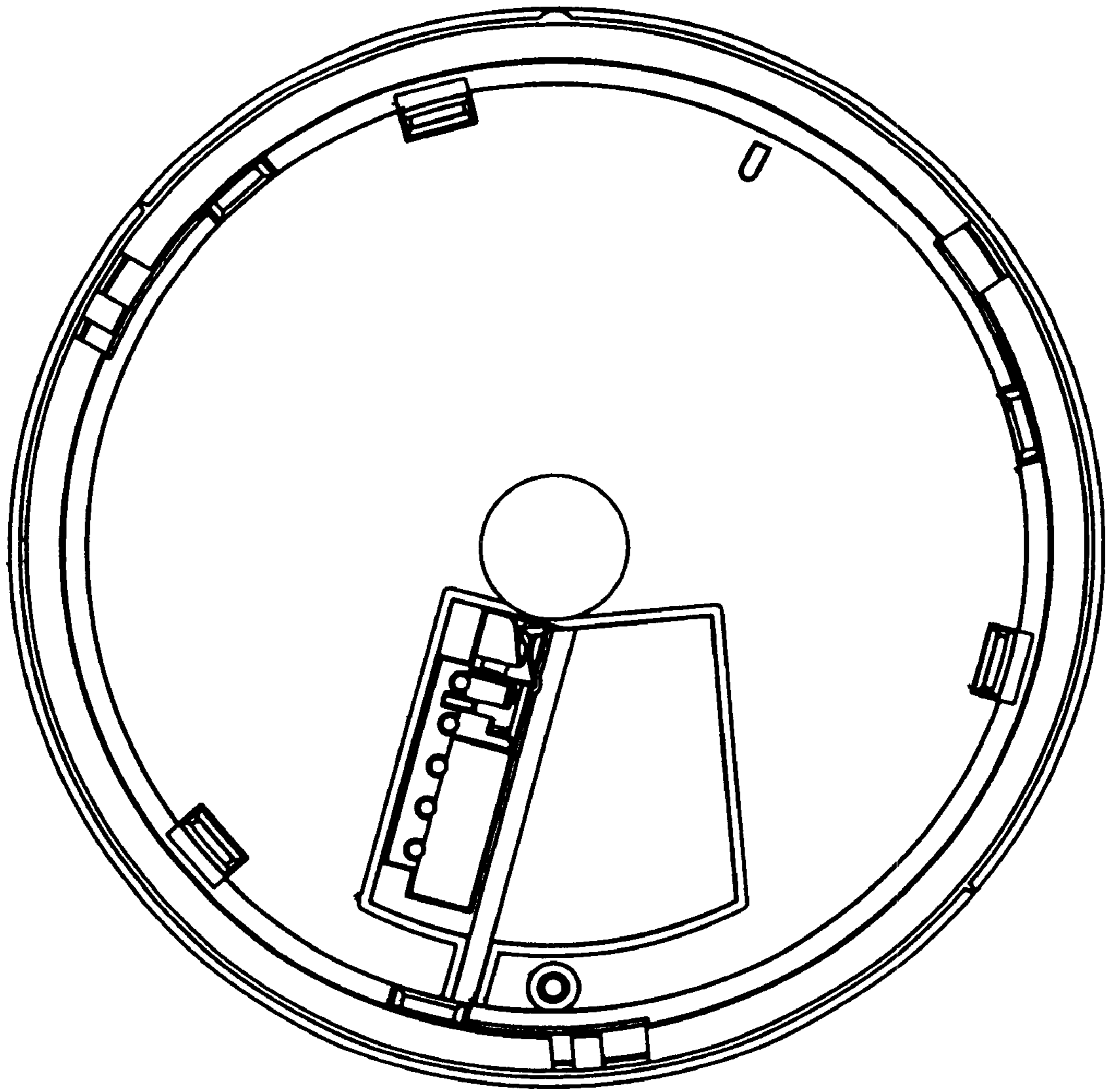


FIG. 13