



US00D477543S

(12) **United States Design Patent**
Nahm

(10) **Patent No.:** **US D477,543 S**

(45) **Date of Patent:** **** Jul. 22, 2003**

(54) **SCALE**

(75) Inventor: **Werner Nahm**, Bühlerzell (DE)

(73) Assignee: **Leifheit AG**, Nassau (DE)

(**) Term: **14 Years**

(21) Appl. No.: **29/165,482**

(22) Filed: **Aug. 12, 2002**

(51) **LOC (7) Cl.** **10-04**

(52) **U.S. Cl.** **D10/92**

(58) **Field of Search** **D10/92; 177/238-245**

(56) **References Cited**

U.S. PATENT DOCUMENTS

- D466,424 S * 12/2002 Stephens D10/92
- D469,028 S * 1/2003 Stephens D10/92

* cited by examiner

Primary Examiner—Antoine Duval Davis
(74) *Attorney, Agent, or Firm*—Frishauf, Holtz, Goodman & Chick, P.C.

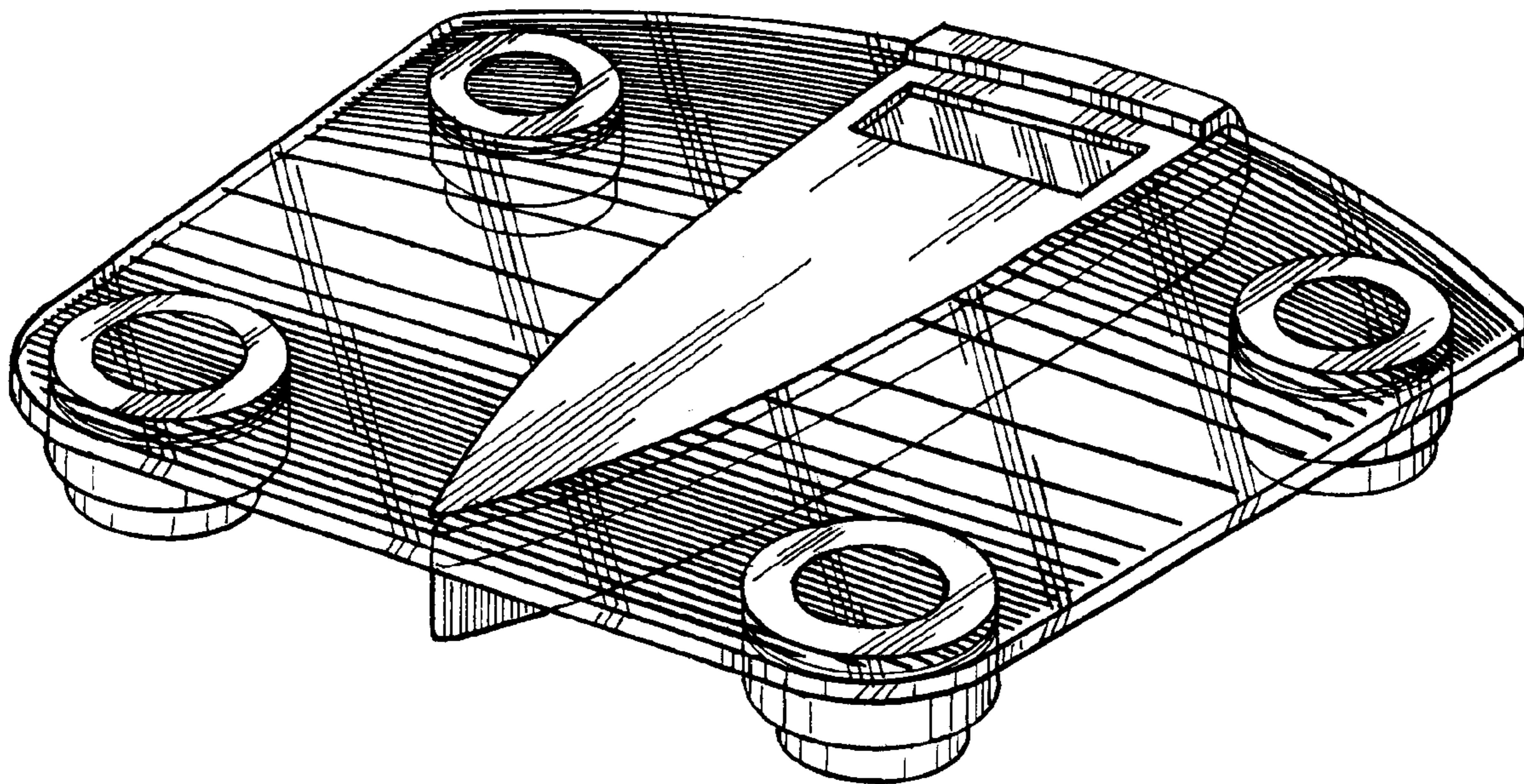
(57) **CLAIM**

The ornamental design for a scale, as shown and described.

DESCRIPTION

FIG. 1 is a front, top, right-side perspective view of a scale showing my new design;
 FIG. 2 is a rear, top, left-side perspective view thereof;
 FIG. 3 is a top plan view thereof;
 FIG. 4 is a bottom plan view thereof;
 FIG. 5 is a right-side view thereof, the left-side view being a mirror image;
 FIG. 6 is a rear view thereof; and,
 FIG. 7 is a front view thereof.

1 Claim, 2 Drawing Sheets



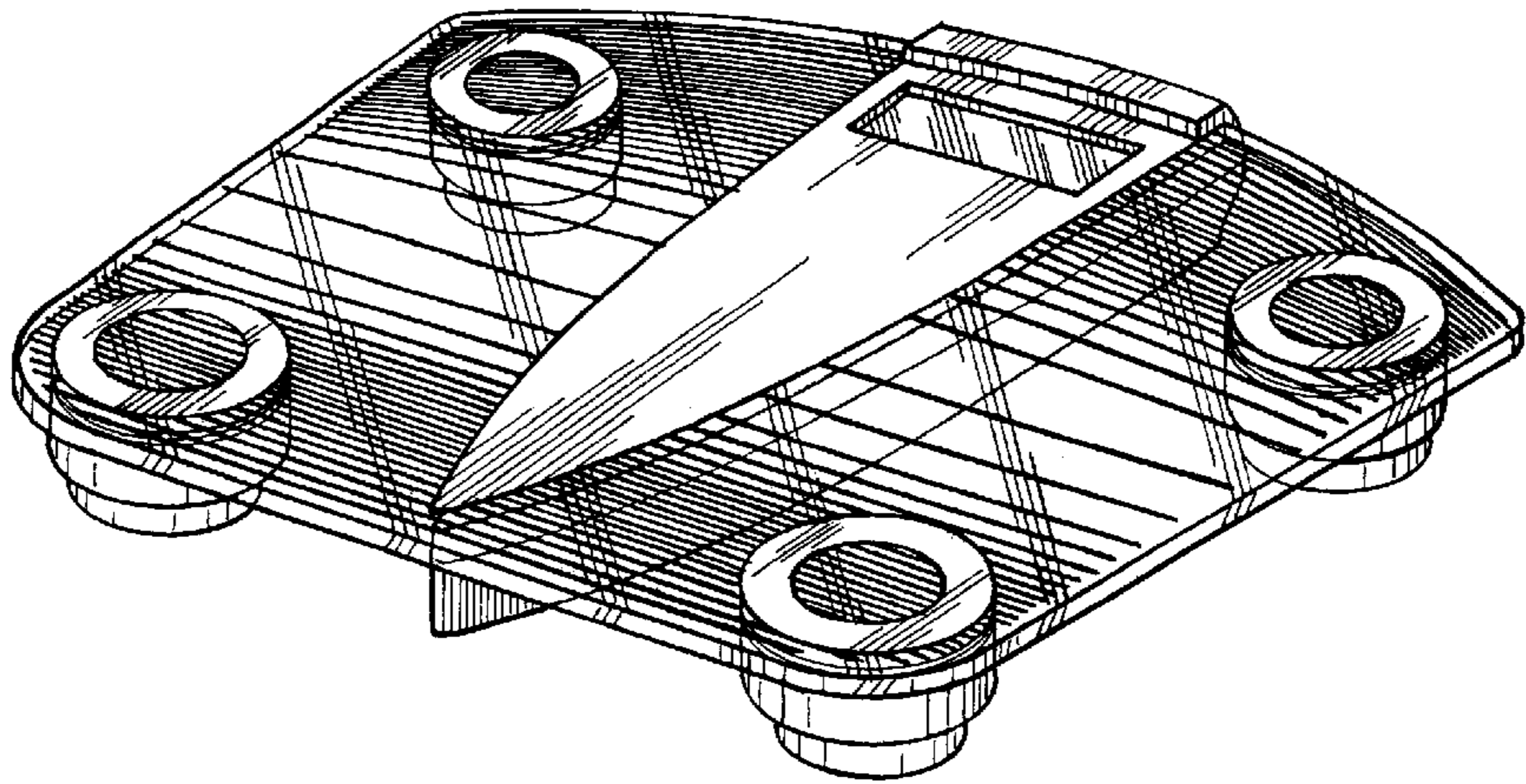


Fig. 1

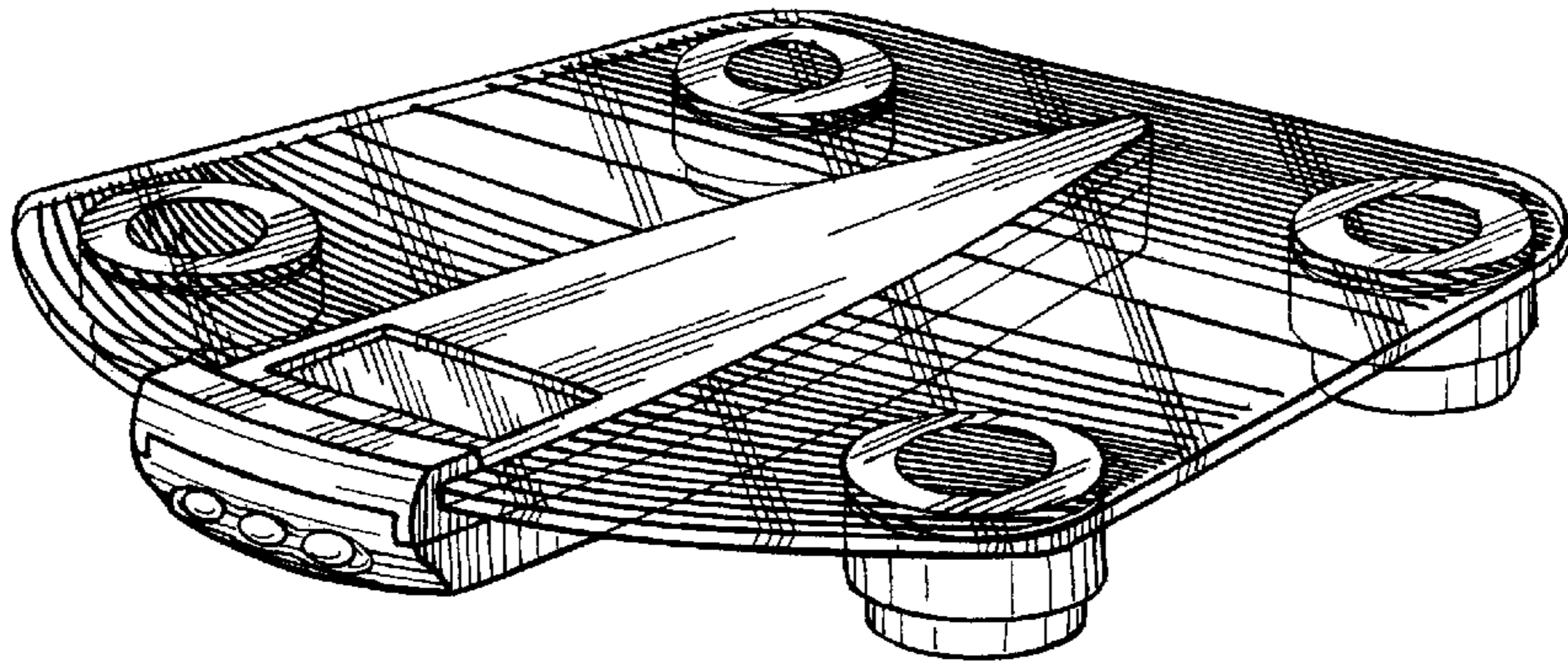


Fig. 2

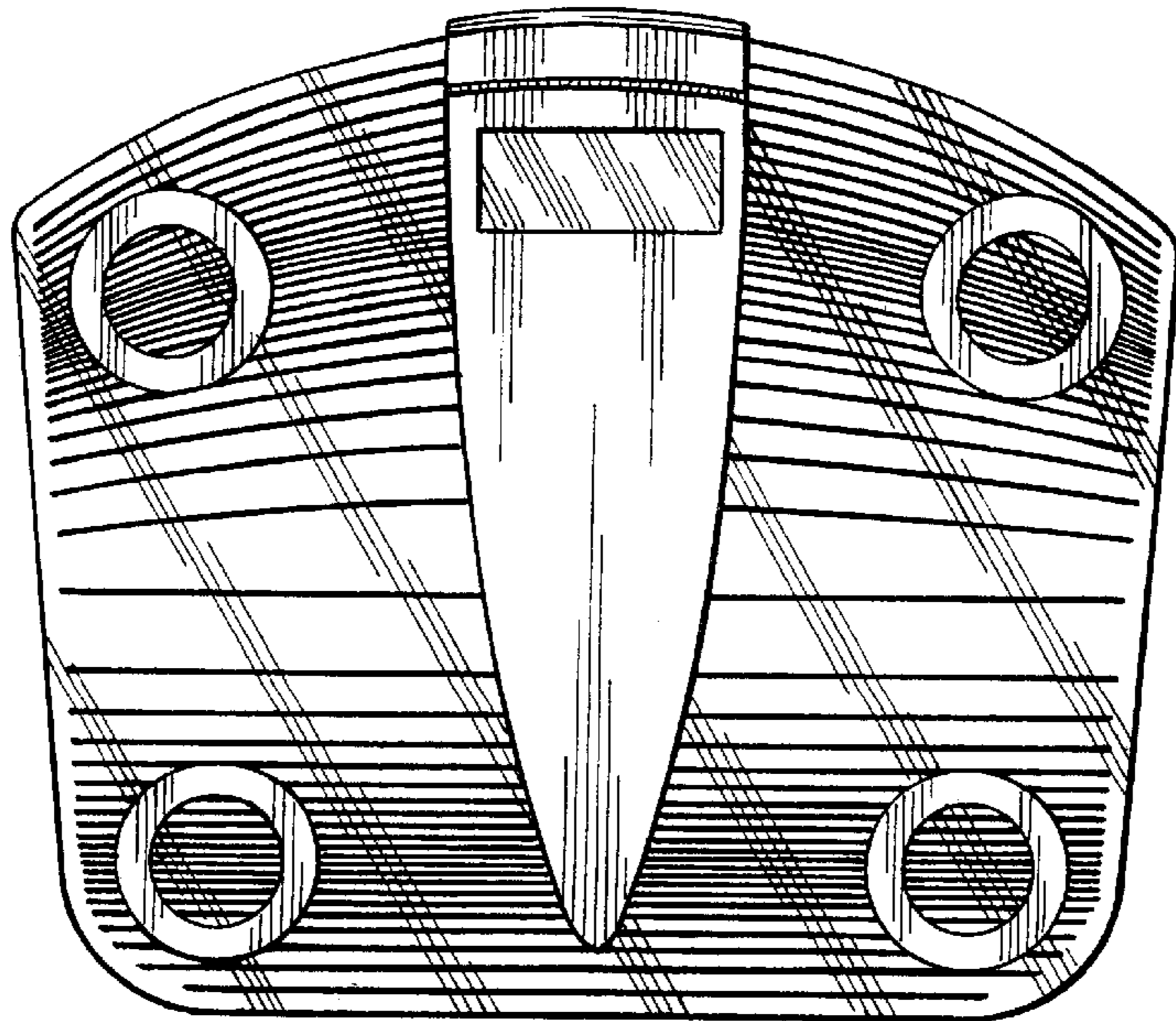


Fig. 3

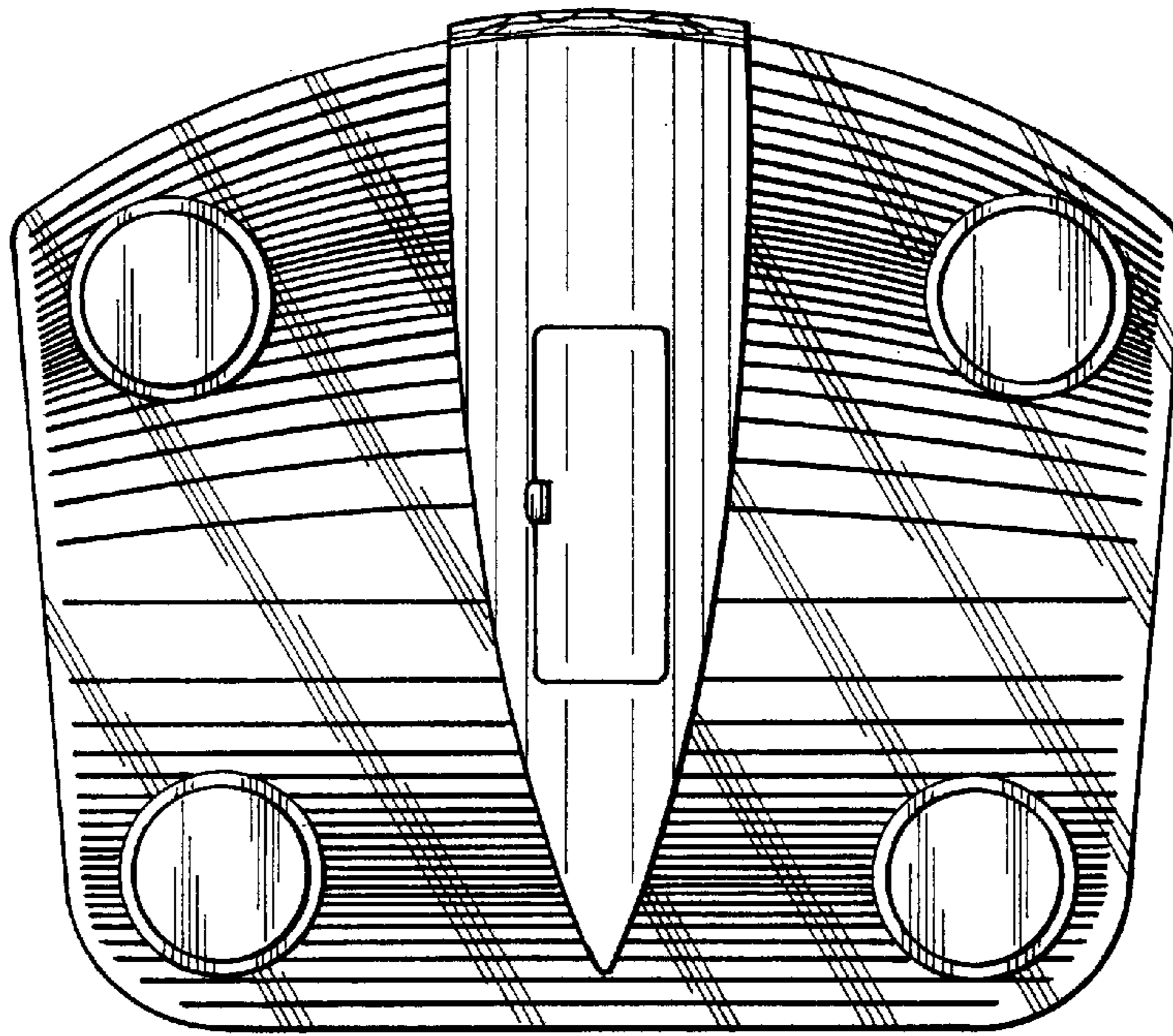


Fig. 4

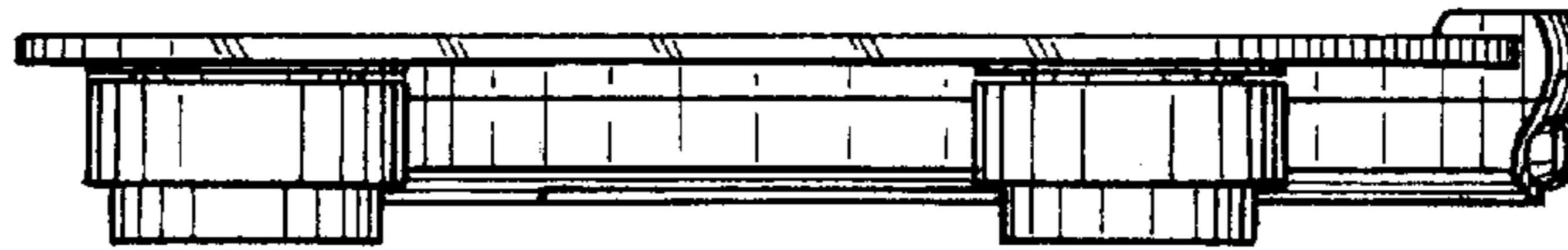


Fig. 5

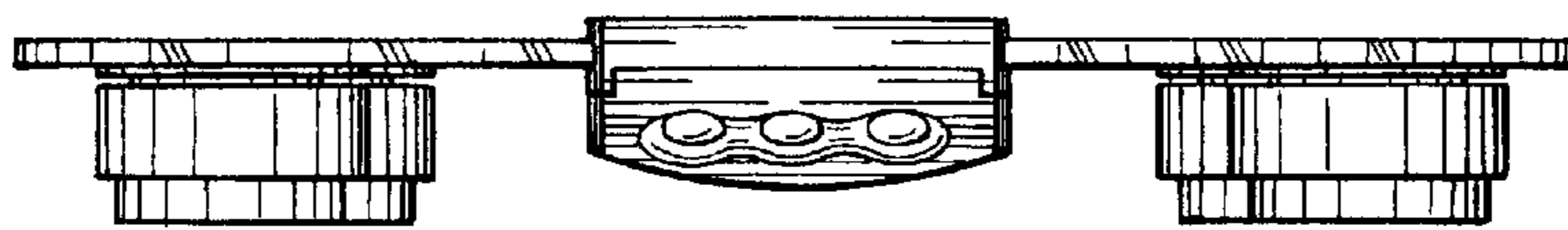


Fig. 6

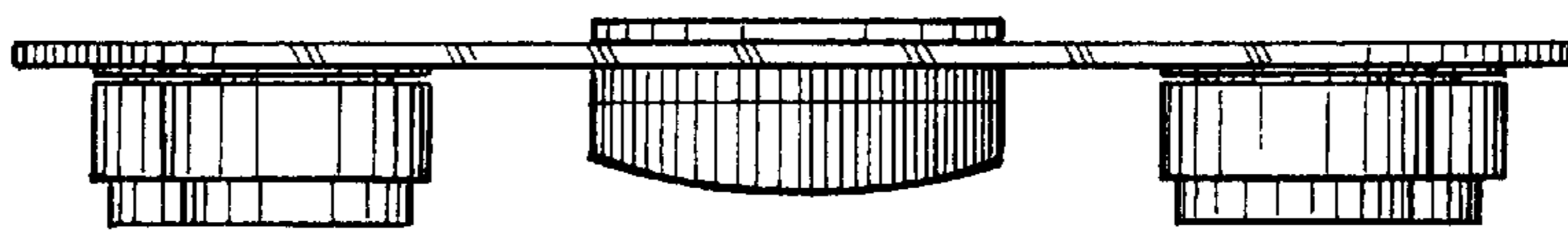


Fig. 7