



US00D477542S

(12) **United States Design Patent**
Chang

(10) **Patent No.:** **US D477,542 S**

(45) **Date of Patent:** **** Jul. 22, 2003**

(54) **MAGNETIC COMPASS**

(76) Inventor: **Gin-Sung Chang**, No. 15, Lane 385,
Kuang Ming Rd., Wu Jih Hsiang,
Taichung Hsien (TW), 414

(**) Term: **14 Years**

(21) Appl. No.: **29/173,193**

(22) Filed: **Dec. 26, 2002**

(51) **LOC (7) Cl.** **10-04**

(52) **U.S. Cl.** **D10/68**

(58) **Field of Search** D10/68; 33/272,
33/273, 344, 345, 348, 355 D, 355 R, 361-365

(56) **References Cited**

U.S. PATENT DOCUMENTS

D356,965 S	*	4/1995	Chang	D10/68
D470,779 S	*	2/2003	Chang	D10/68
6,516,526 B1	*	2/2003	Iden	33/355 R

* cited by examiner

Primary Examiner—Antoine Duval Davis
(74) *Attorney, Agent, or Firm*—Bacon & Thomas, PLLC

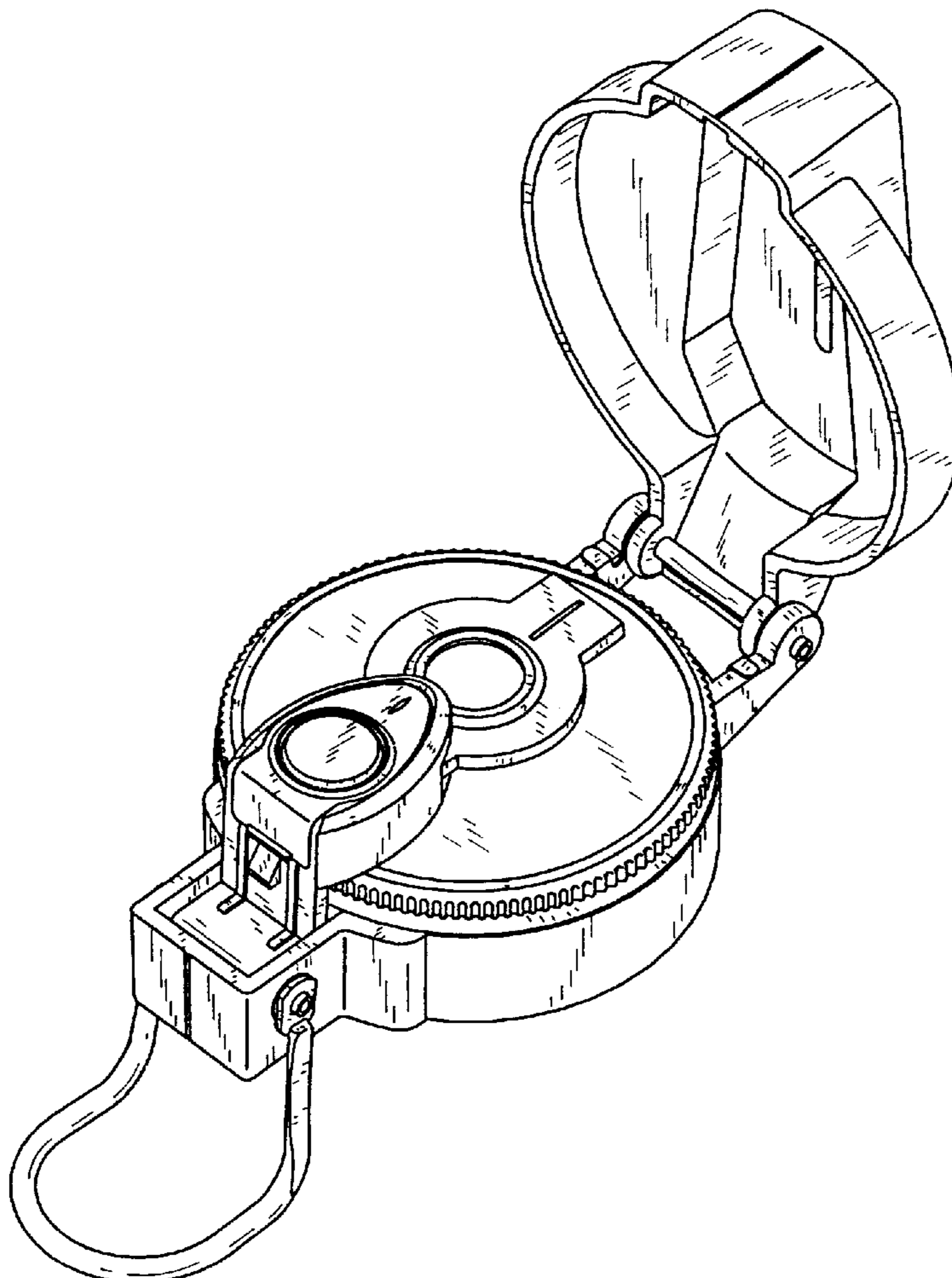
(57) **CLAIM**

The ornamental design for a “magnetic compass”, as shown and described.

DESCRIPTION

FIG. 1 shows a perspective view of the present design.
 FIG. 2 shows a right side elevational view of the present design.
 FIG. 3 shows a top plan view of the present design.
 FIG. 4 shows a front elevational view of the present design.
 FIG. 5 shows a bottom plan view of the present design.
 FIG. 6 shows a left side elevational view of the present design.
 FIG. 7 shows a rear elevational view of the present design; and,
 FIG. 8 is a perspective view showing the present design in operation.

1 Claim, 3 Drawing Sheets



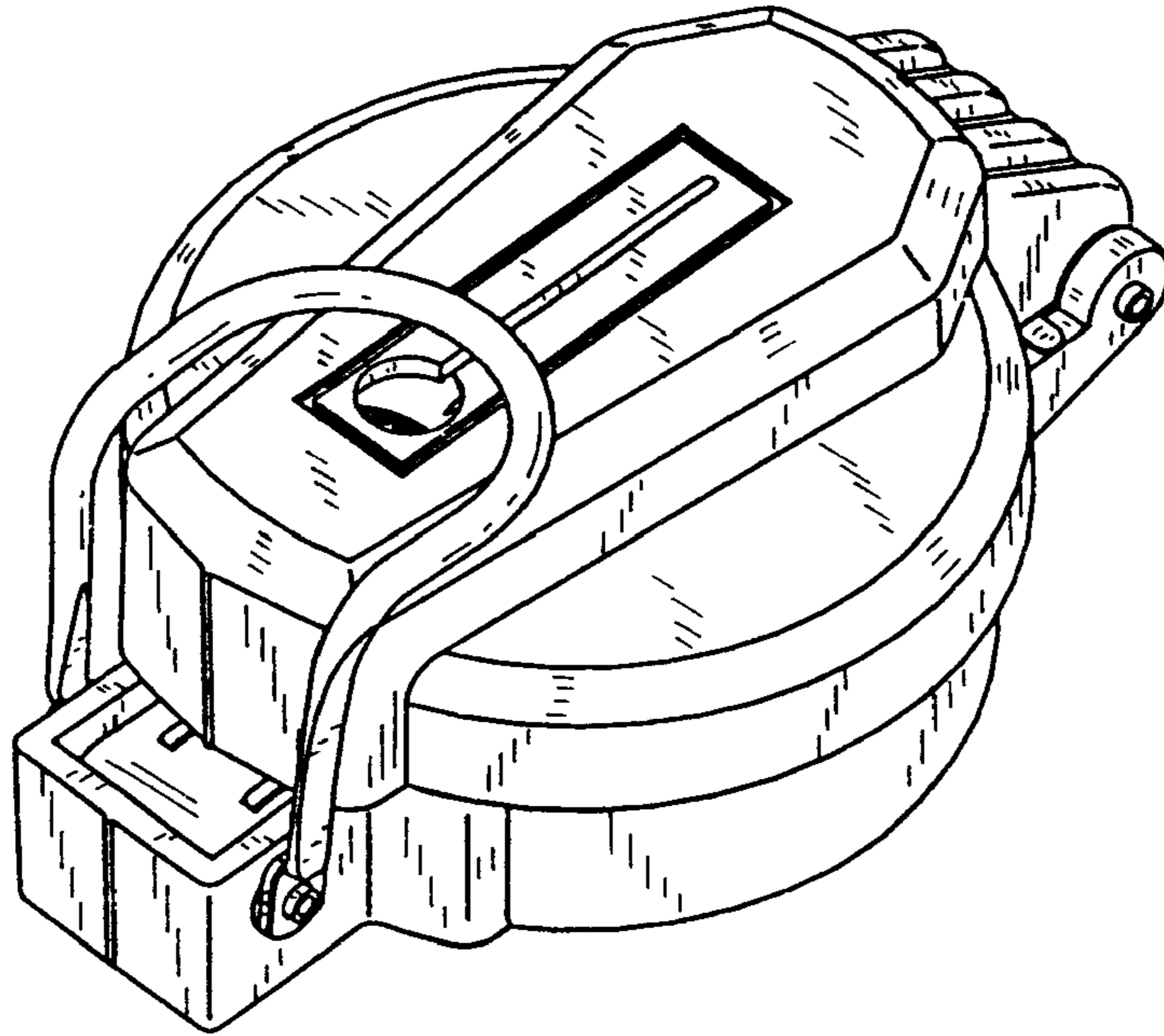


FIG. 1

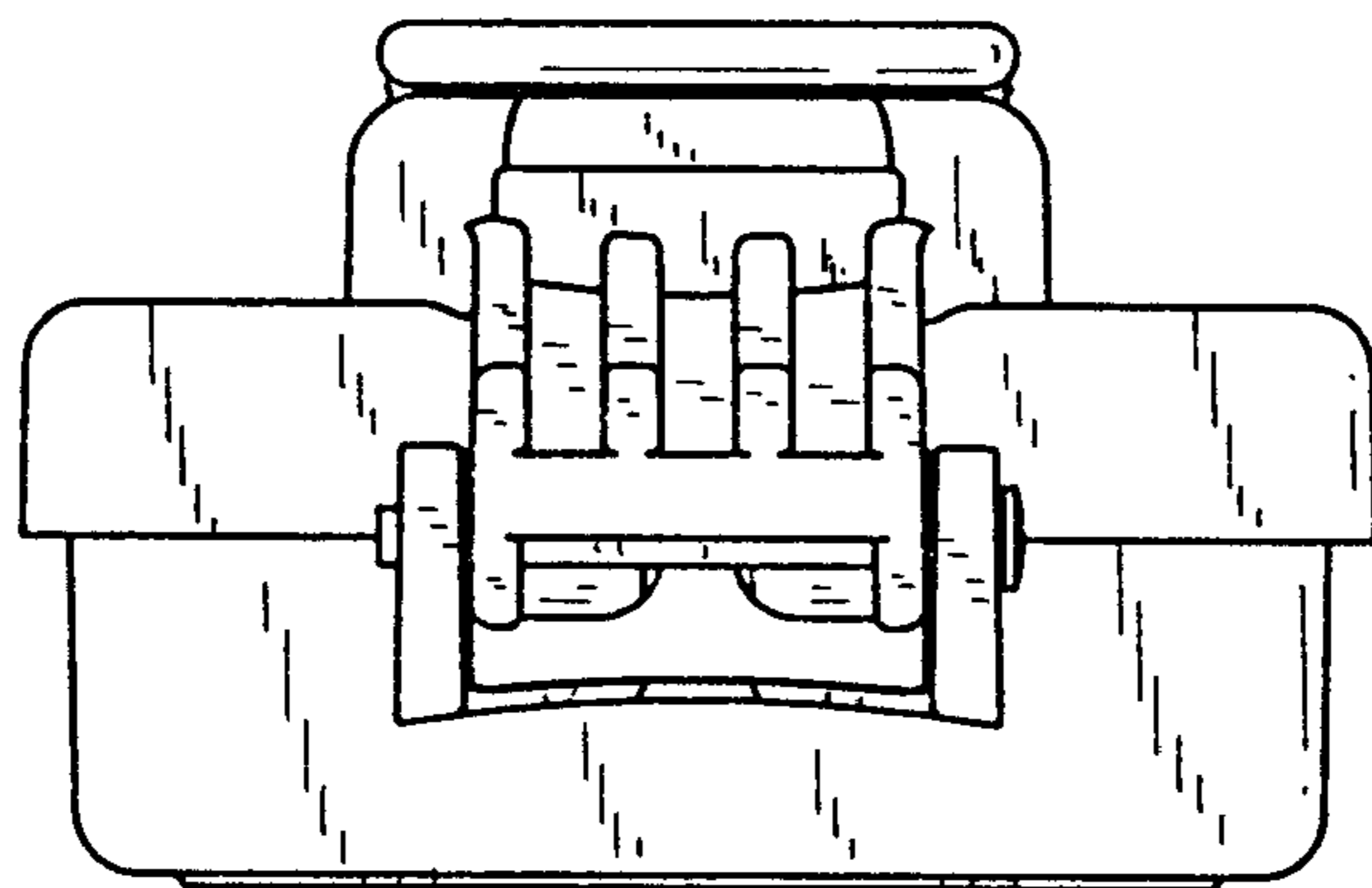


FIG. 2

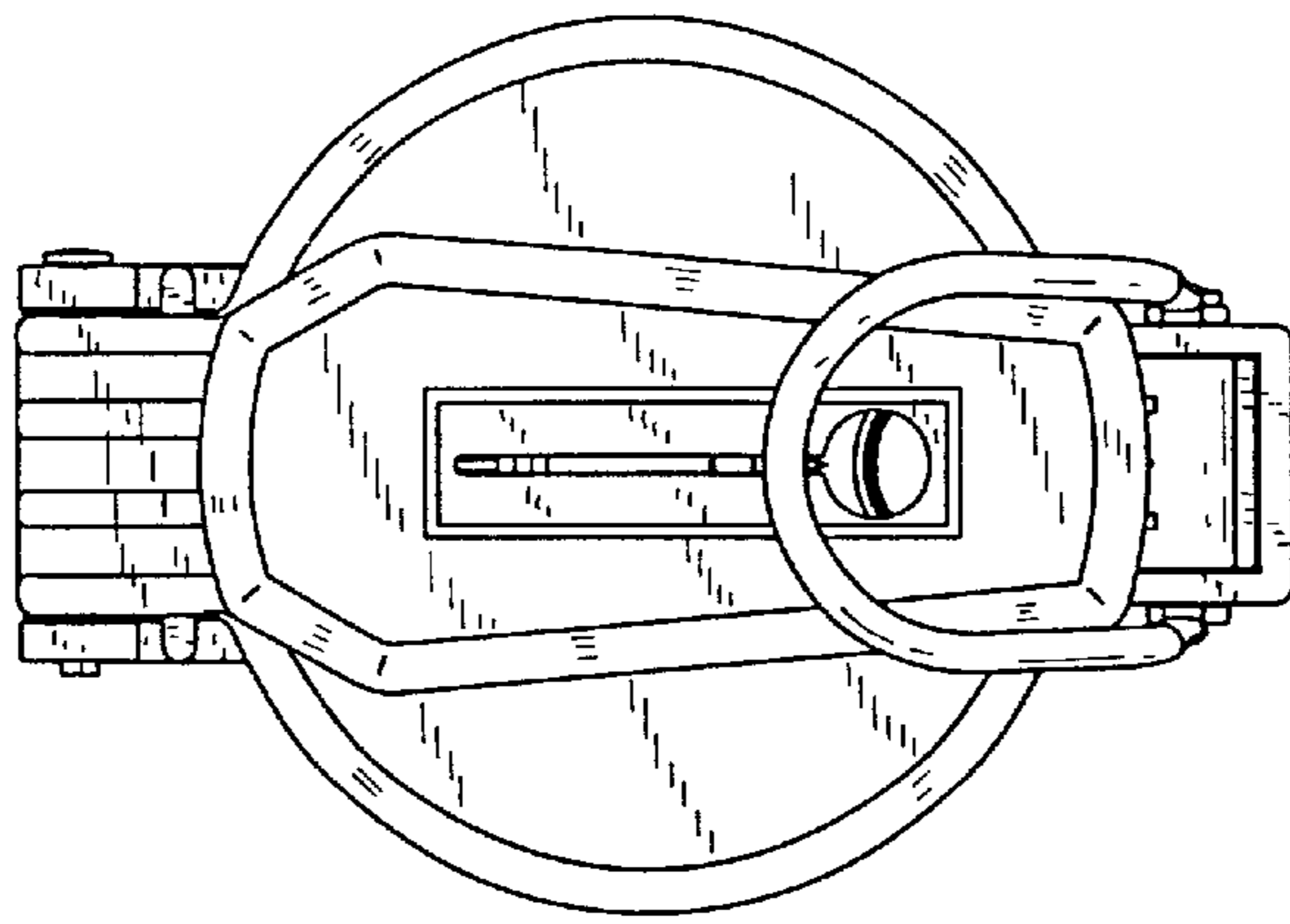


FIG. 3

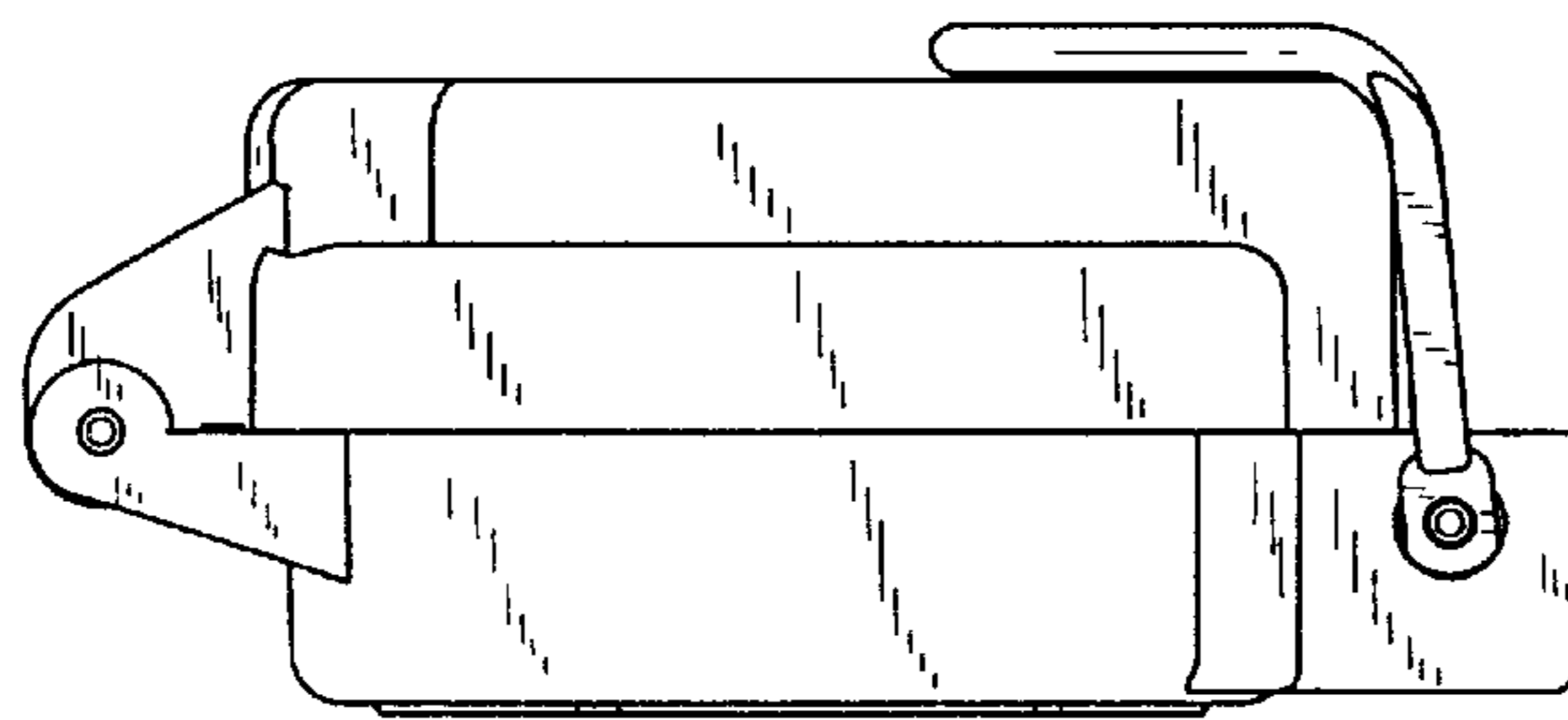


FIG. 4

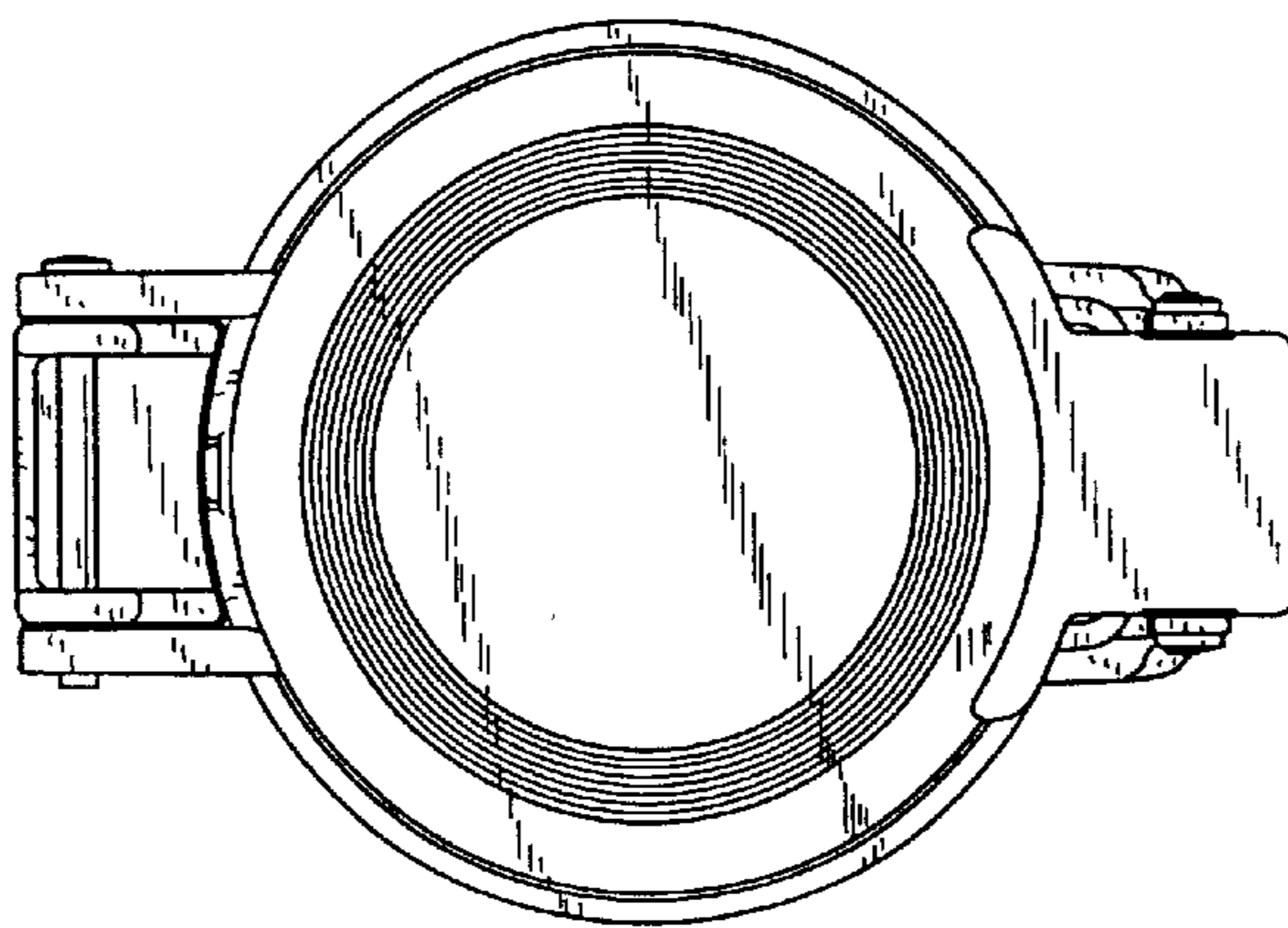


FIG. 5

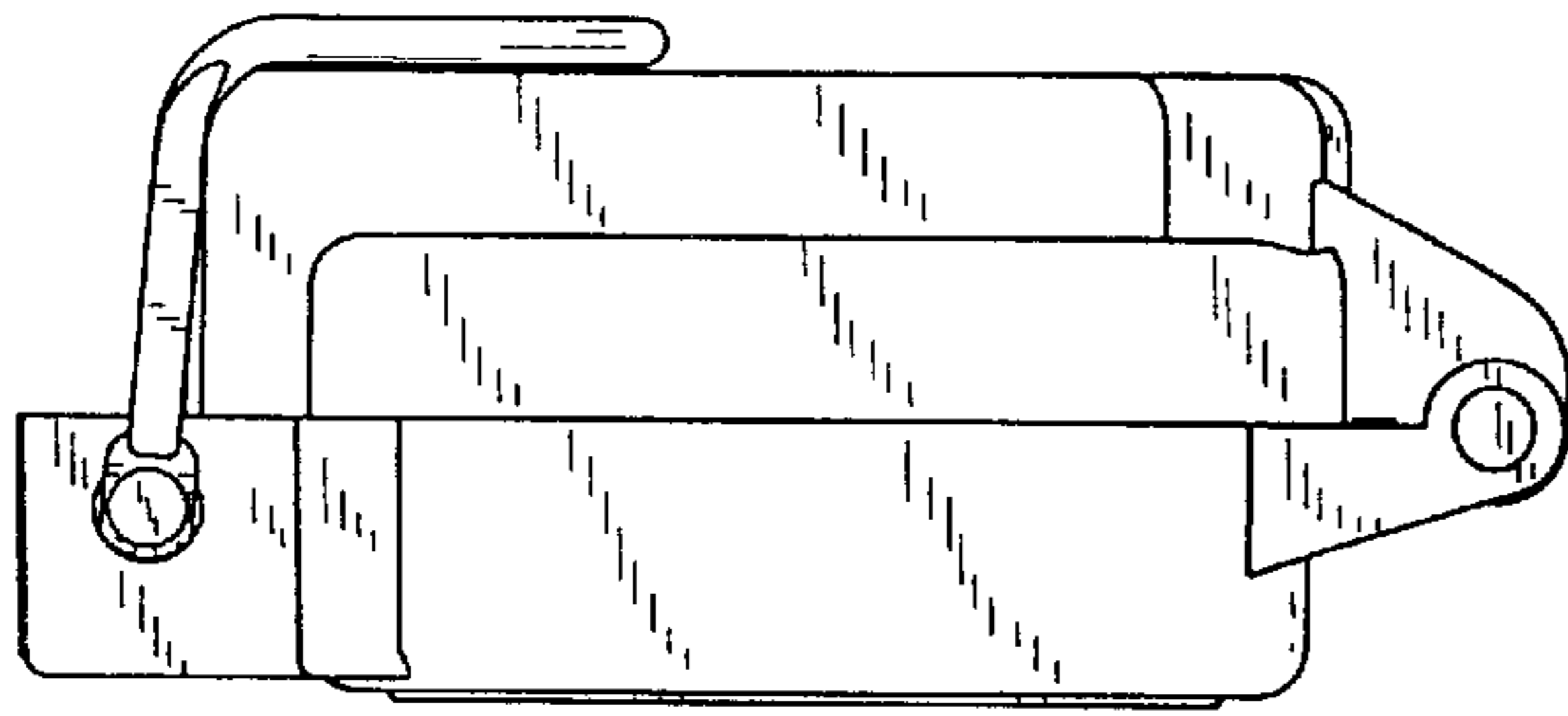


FIG. 7

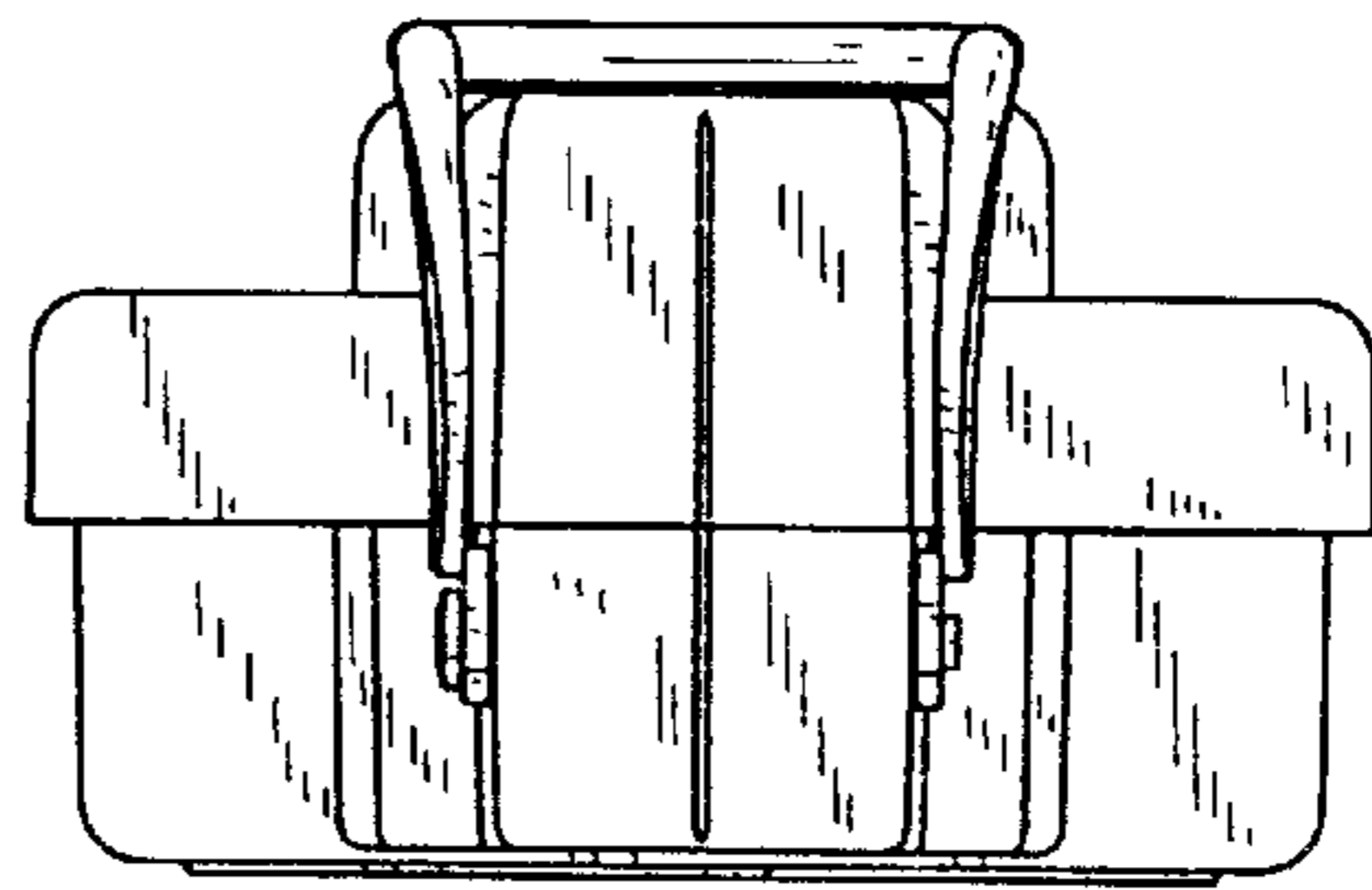


FIG. 6

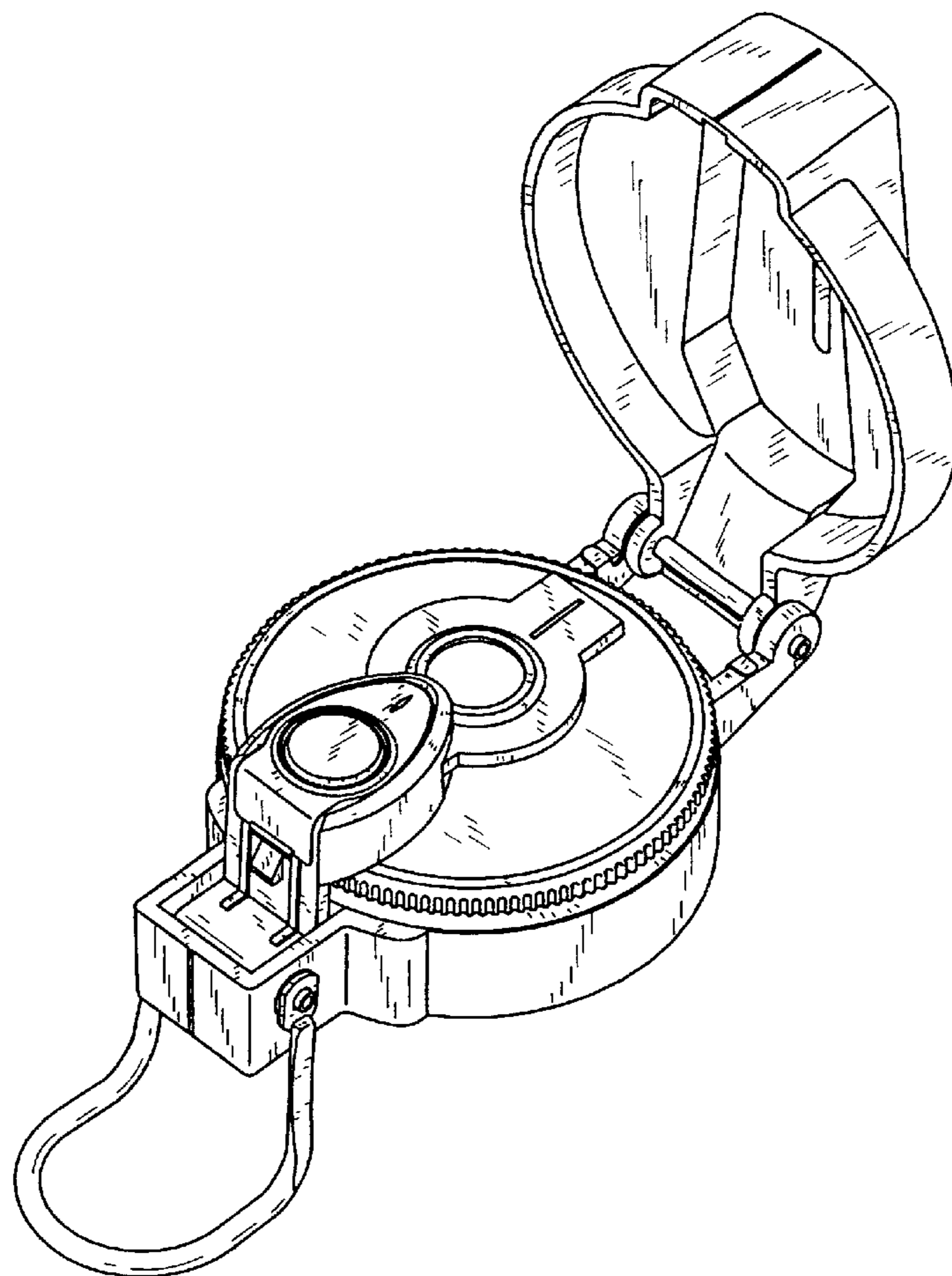


FIG. 8