



US00D477530S

(12) **United States Design Patent**  
**von Braun et al.**

(10) **Patent No.:** **US D477,530 S**

(45) **Date of Patent:** **\*\* Jul. 22, 2003**

(54) **CARRIER AND CANDLES (4-PACK)**

(76) Inventors: **Peter von Braun**, 36 Zaccheus Mead  
La., Greenwich, CT (US) 06831; **Brant**  
**Batchelor**, 696 Hope St., Unit 5A,  
Stamford, CT (US) 06907

(\*\*) Term: **14 Years**

(21) Appl. No.: **29/163,946**

(22) Filed: **Jul. 16, 2002**

(51) **LOC (7) Cl.** ..... **09-03**

(52) **U.S. Cl.** ..... **D9/337; D9/346**

(58) **Field of Search** ..... D9/337, 338, 341,  
D9/346, 414-416, 432-433; D26/6, 9, 10;  
206/139, 142, 216, 223, 524.1, 524.2, 524.6,  
557, 558, 561-562; 229/100, 117.09, 117.12-117.16,  
117.23, 120.02, 120.08, 120.24

(56) **References Cited**

**U.S. PATENT DOCUMENTS**

- 1,829,533 A \* 10/1931 Ondricek
- 2,395,711 A \* 2/1946 Arnold
- D167,808 S \* 9/1952 Ringler ..... D58/26
- 2,728,485 A \* 12/1955 Howard ..... 220/118
- D179,648 S \* 2/1957 Larsen ..... D58/5
- D185,551 S \* 6/1959 Hodgman ..... D58/5
- 2,917,202 A \* 12/1959 Forrer ..... 220/113
- D190,450 S \* 5/1961 Sanchez et al. .... D58/17
- 2,990,972 A \* 7/1961 Benedetti ..... 220/103

- 3,335,905 A \* 8/1967 Arneson ..... 220/113
- 3,335,906 A \* 8/1967 Forrer ..... 220/113
- 3,891,244 A \* 6/1975 Ritter et al. .... 283/56
- 4,032,007 A \* 6/1977 Graser et al. .... 206/173
- 4,588,077 A \* 5/1986 Champlin et al. .... 206/193
- 5,775,487 A \* 7/1998 Harrelson ..... 206/193
- 6,398,078 B1 \* 6/2002 Moran et al. .... 222/173

\* cited by examiner

*Primary Examiner*—James Gandy

*Assistant Examiner*—Daniel Bui

(74) *Attorney, Agent, or Firm*—St. Onge Steward Johnston  
& Reens LLC

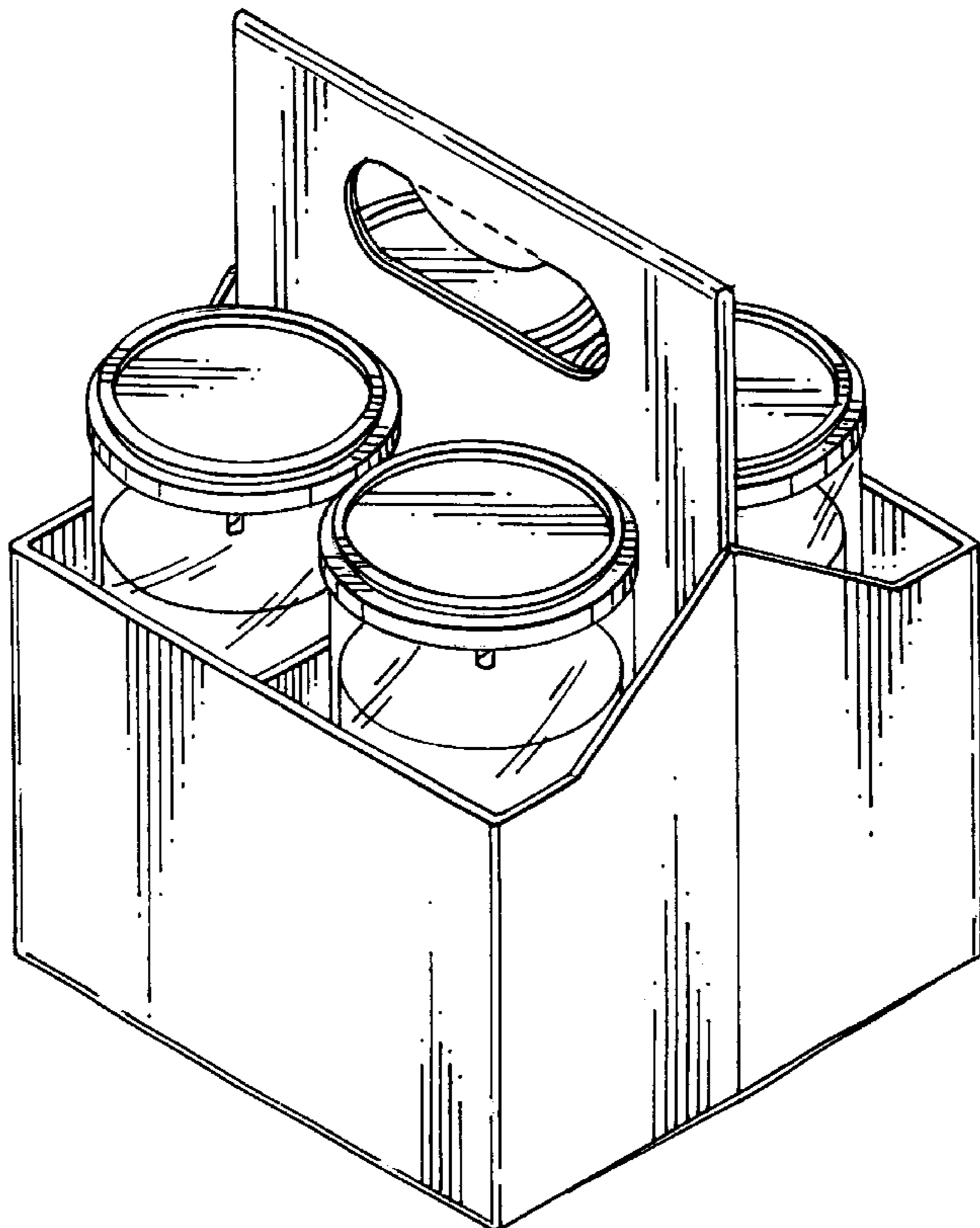
(57) **CLAIM**

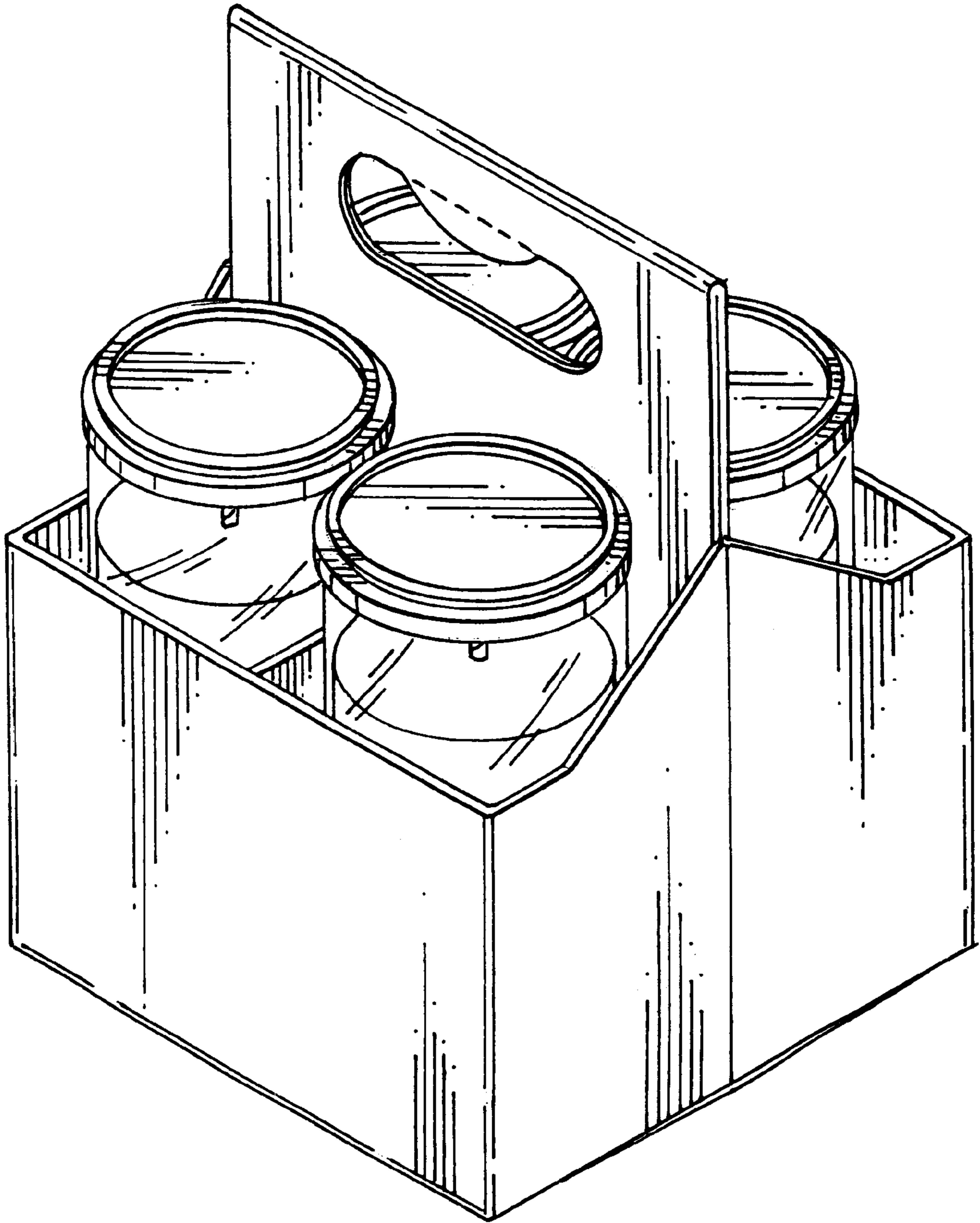
We claim the ornamental design for carrier and candles (4-pack), as shown and described in the drawings.

**DESCRIPTION**

FIG. 1 is a front and left side perspective view of a carrier and candles (4-pack) in accordance with the new design; FIG. 2 is a front elevation view thereof; FIG. 3 is a top plan view thereof; FIG. 4 is a rear elevation view thereof; FIG. 5 is a bottom plan view thereof; and, FIG. 6 is a left side elevation view thereof, the right side elevation view being a mirror image. The broken lines shown in FIGS. 1, 2 and 4 represent a fold line.

**1 Claim, 4 Drawing Sheets**





*FIG. 1*

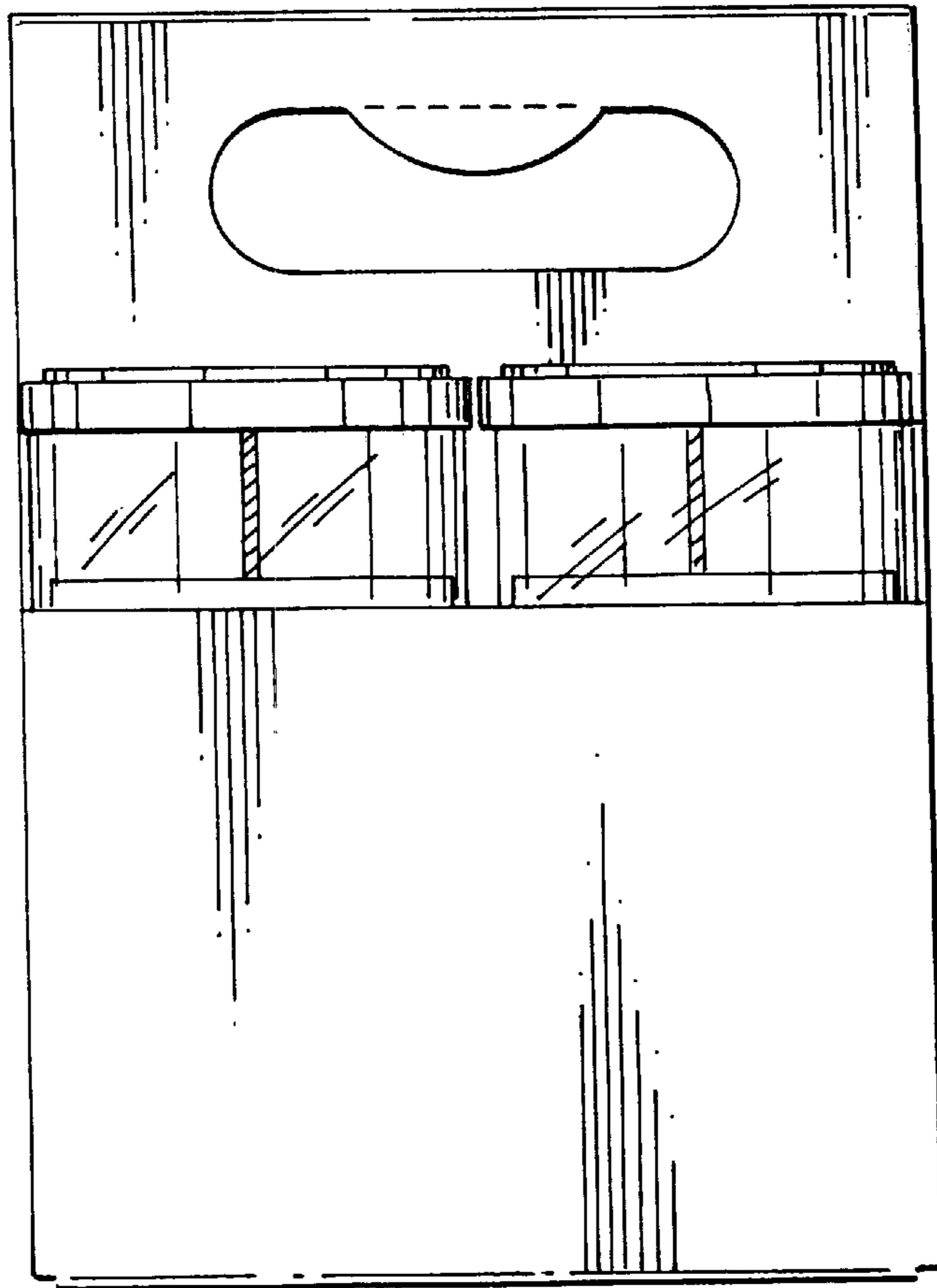


FIG. 2

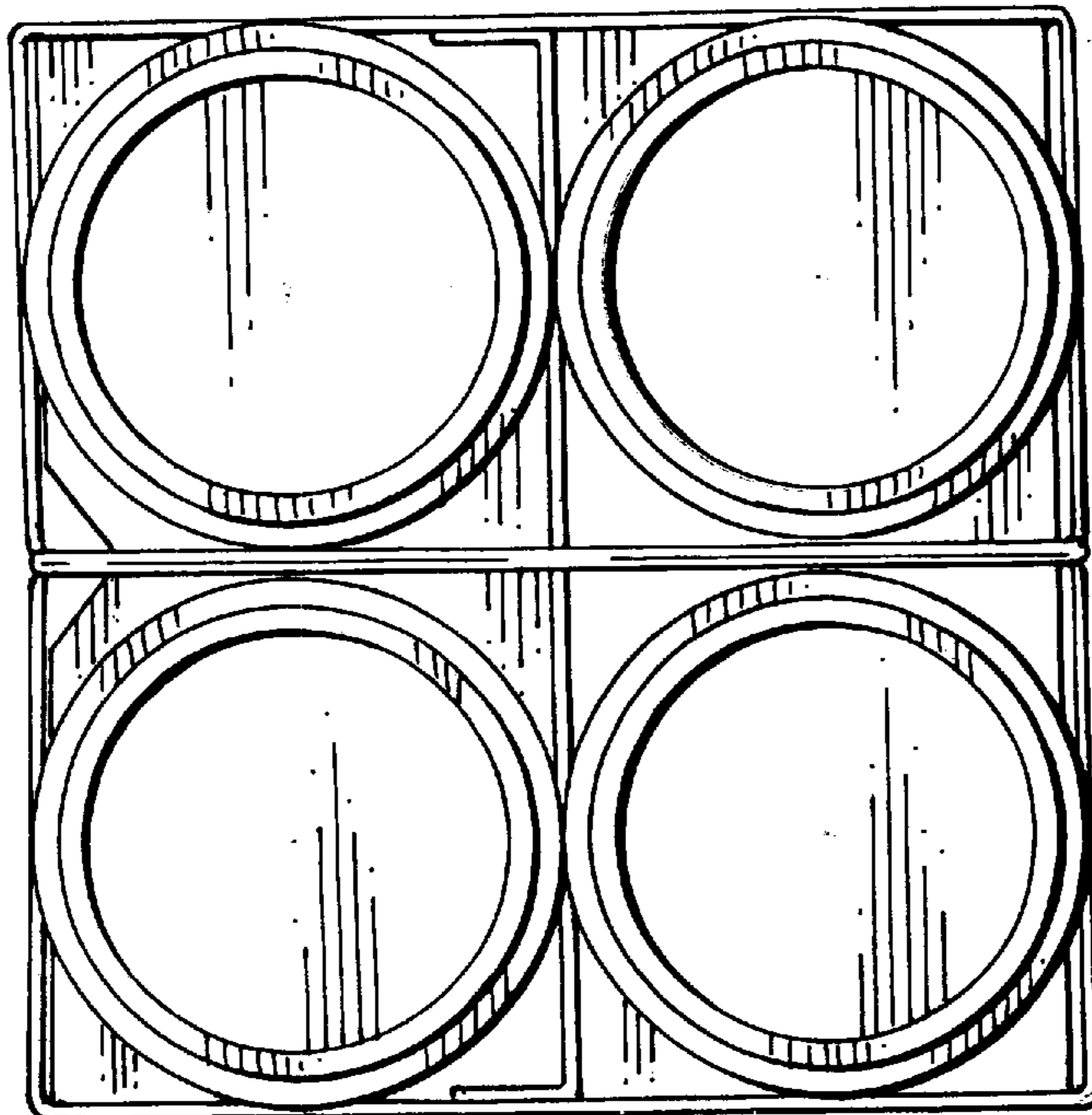


FIG. 3

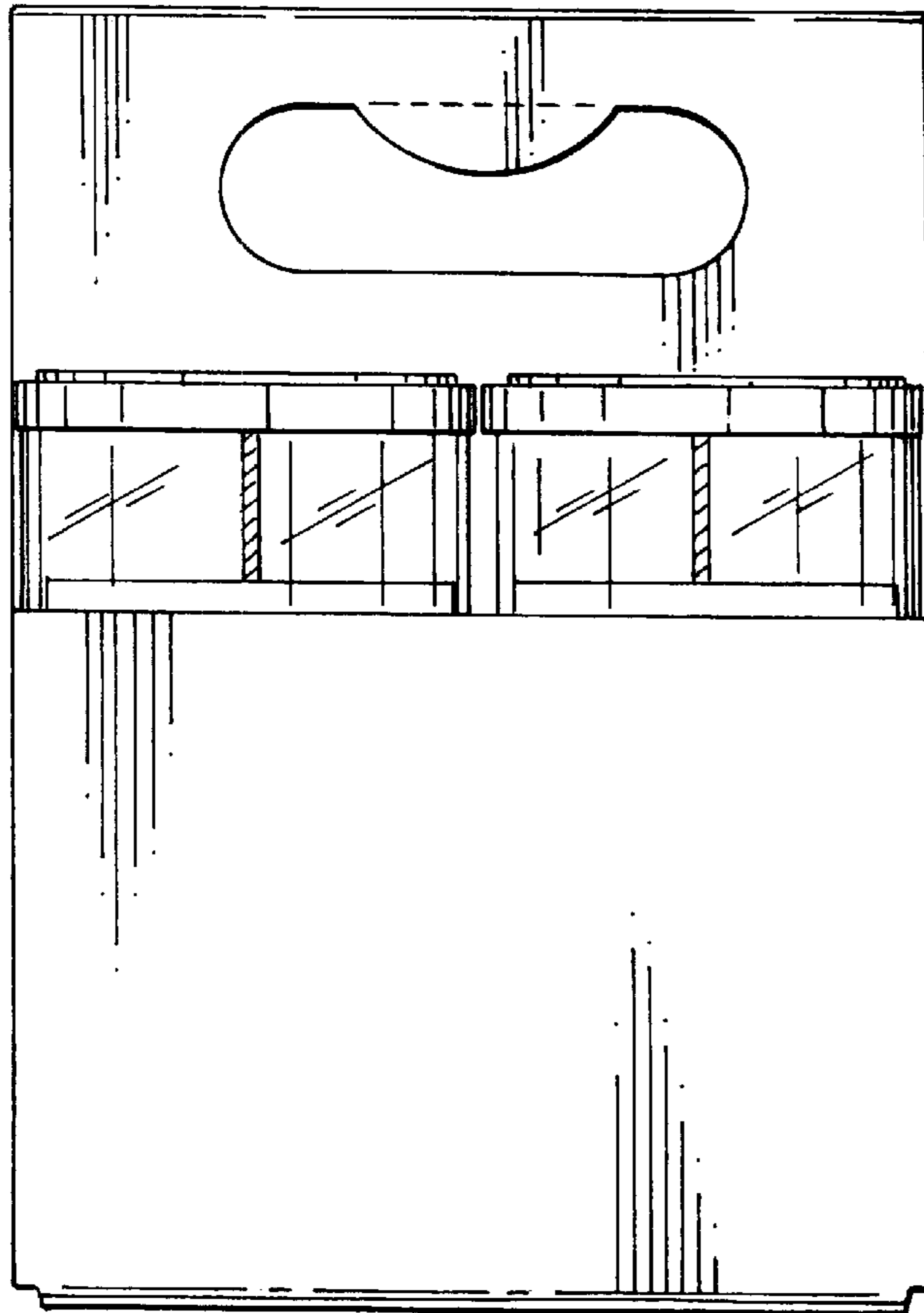


FIG. 4

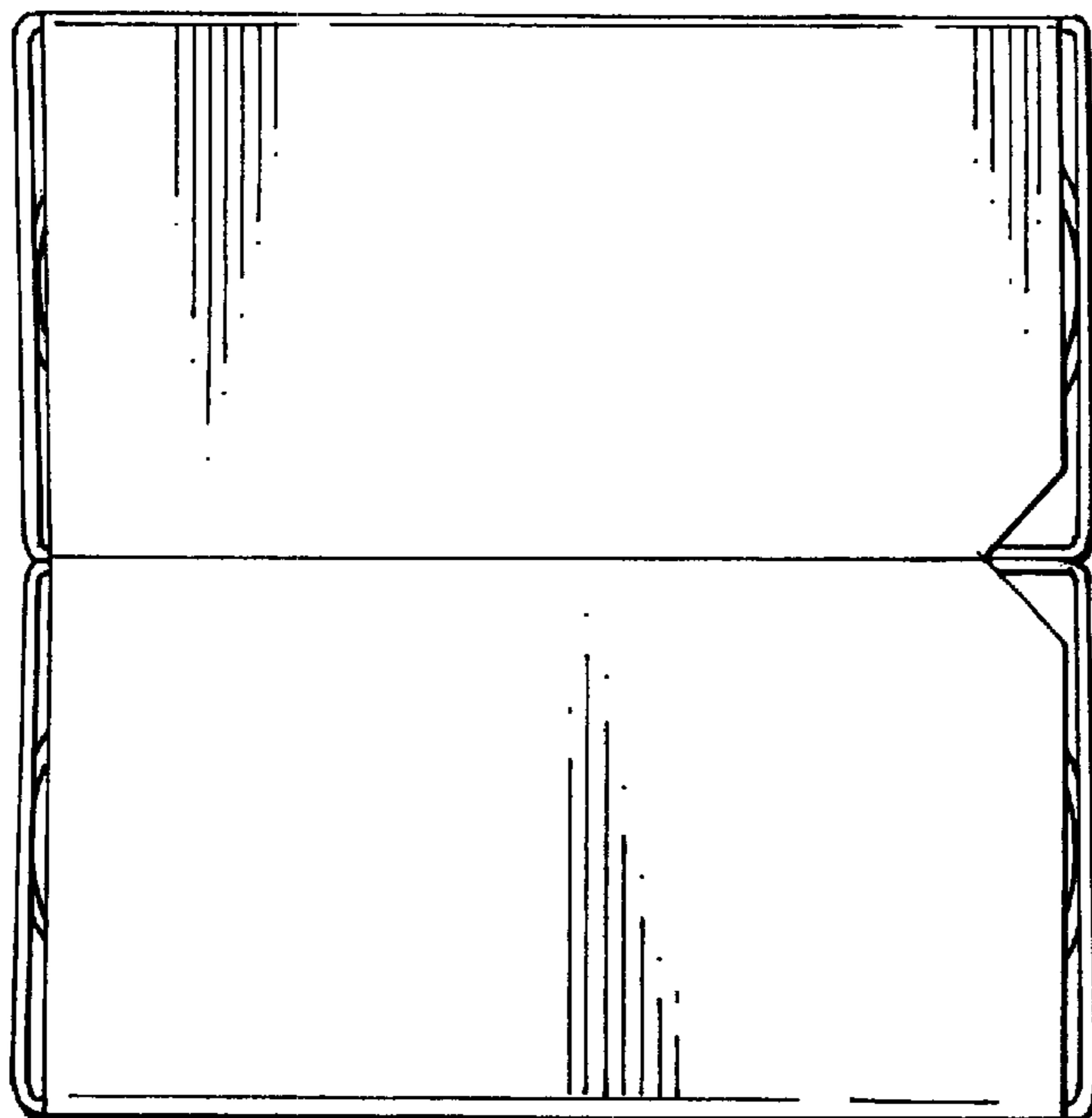
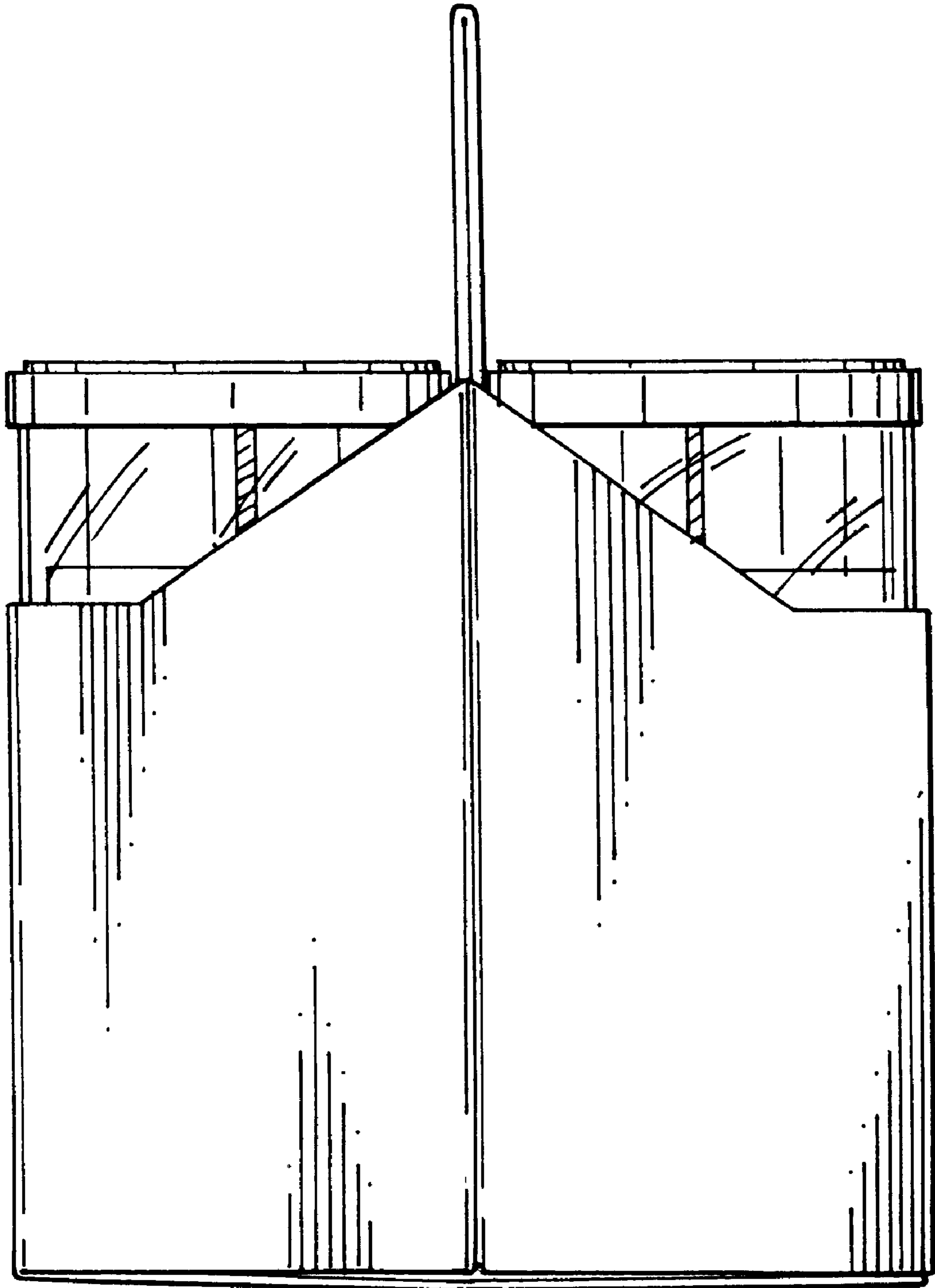


FIG. 5



*FIG. 6*