



US00D477529S

(12) **United States Design Patent**
Chan

(10) **Patent No.:** **US D477,529 S**

(45) **Date of Patent:** **** Jul. 22, 2003**

(54) **CANDY CONTAINER**

(76) **Inventor:** **Pak Nin Chan**, Unit A, Chuan Yuan
Factory Building, 8/F, 342-344 Kwun
Tong Road, Kwun Tong, Kowloon (HK)

(**) **Term:** **14 Years**

(21) **Appl. No.:** **29/168,806**

(22) **Filed:** **Oct. 9, 2002**

(51) **LOC (7) Cl.** **09-03**

(52) **U.S. Cl.** **D9/307; D24/197**

(58) **Field of Search** D9/307, 319, 339,
D9/503, 504, 549, 564; D3/201, 202; D24/197;
215/11.1, 11.6

(56) **References Cited**

U.S. PATENT DOCUMENTS

5,316,160	A	*	5/1994	Cautereels	215/11.1
D375,679	S	*	11/1996	Russell	D9/339
D428,656	S	*	7/2000	Alexander et al.	D24/197
6,092,680	A	*	7/2000	Pillado	215/11.1
D430,676	S	*	9/2000	Kong	D24/197
6,302,286	B1	*	10/2001	Witherspoon	215/11.6
D455,069	S	*	4/2002	Johnson	D9/307
D468,631	S	*	1/2003	Hart et al.	D9/311

* cited by examiner

Primary Examiner—Sandra L. Morris
(74) *Attorney, Agent, or Firm*—Delbert J. Barnard

(57) **CLAIM**

The ornamental design for a candy container, substantially as shown and described.

DESCRIPTION

FIG. 1 is a pictorial view of the container showing a moveable handle on the container projecting laterally outwardly from the container;

FIG. 2 is a first side elevational view of the container shown by FIG. 1, the second side elevational view being a mirror image of the first side elevational view;

FIG. 3 is an elevational view looking towards a portion of the container to which the handle is attached;

FIG. 4 is an elevational view looking towards the container from a side of the container that is diametrically opposite the handle;

FIG. 5 is a top plan view of the container shown by FIGS. 1-4;

FIG. 6 is a bottom plan view of the container shown by FIGS. 1-5;

FIG. 7 is a view like FIG. 1 but showing the flexible handle moved downwardly into a second position;

FIG. 8 is a view like FIG. 2, but showing the handle position of FIG. 7;

FIG. 9 is a view like FIG. 3, but showing the handle in the second position;

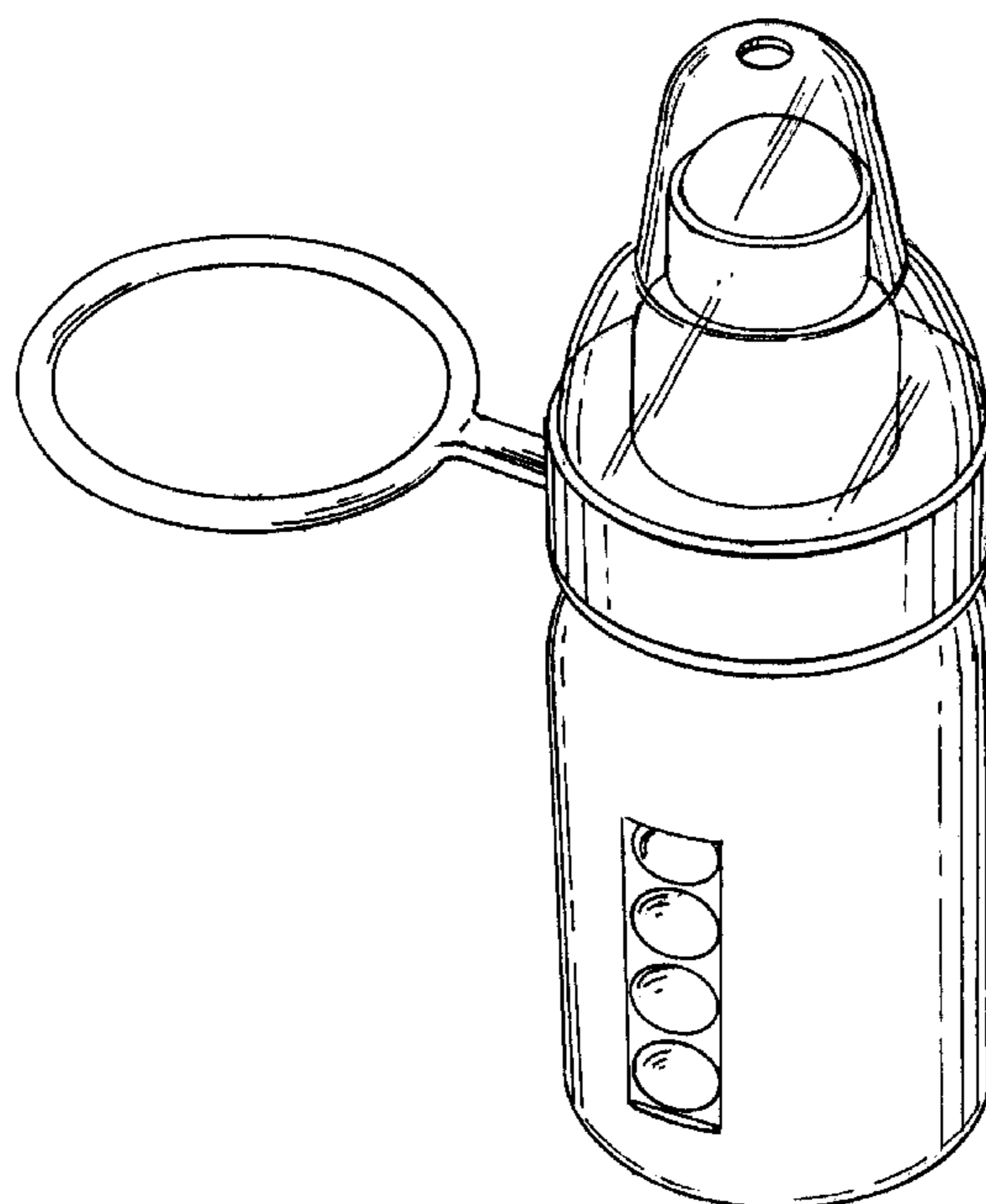
FIG. 10 is a view like FIG. 4, but showing the handle in the second position;

FIG. 11 is a view like FIG. 5, but showing the handle in the second position; and,

FIG. 12 is a view like FIG. 6 but showing the handle in the second position.

The broken line showings are for illustrative purposes only, and form no part of the claimed design.

1 Claim, 4 Drawing Sheets



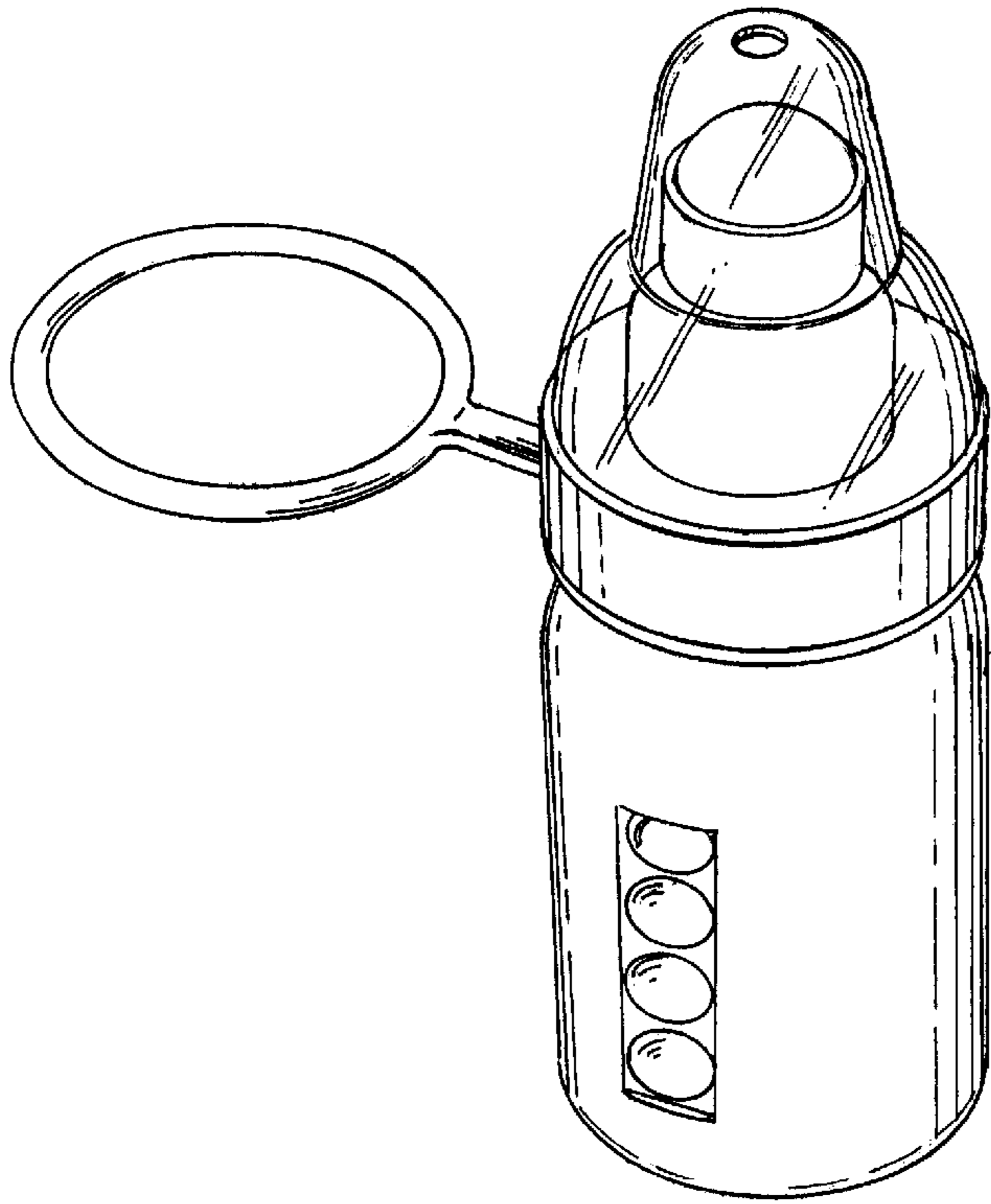


FIG. 1

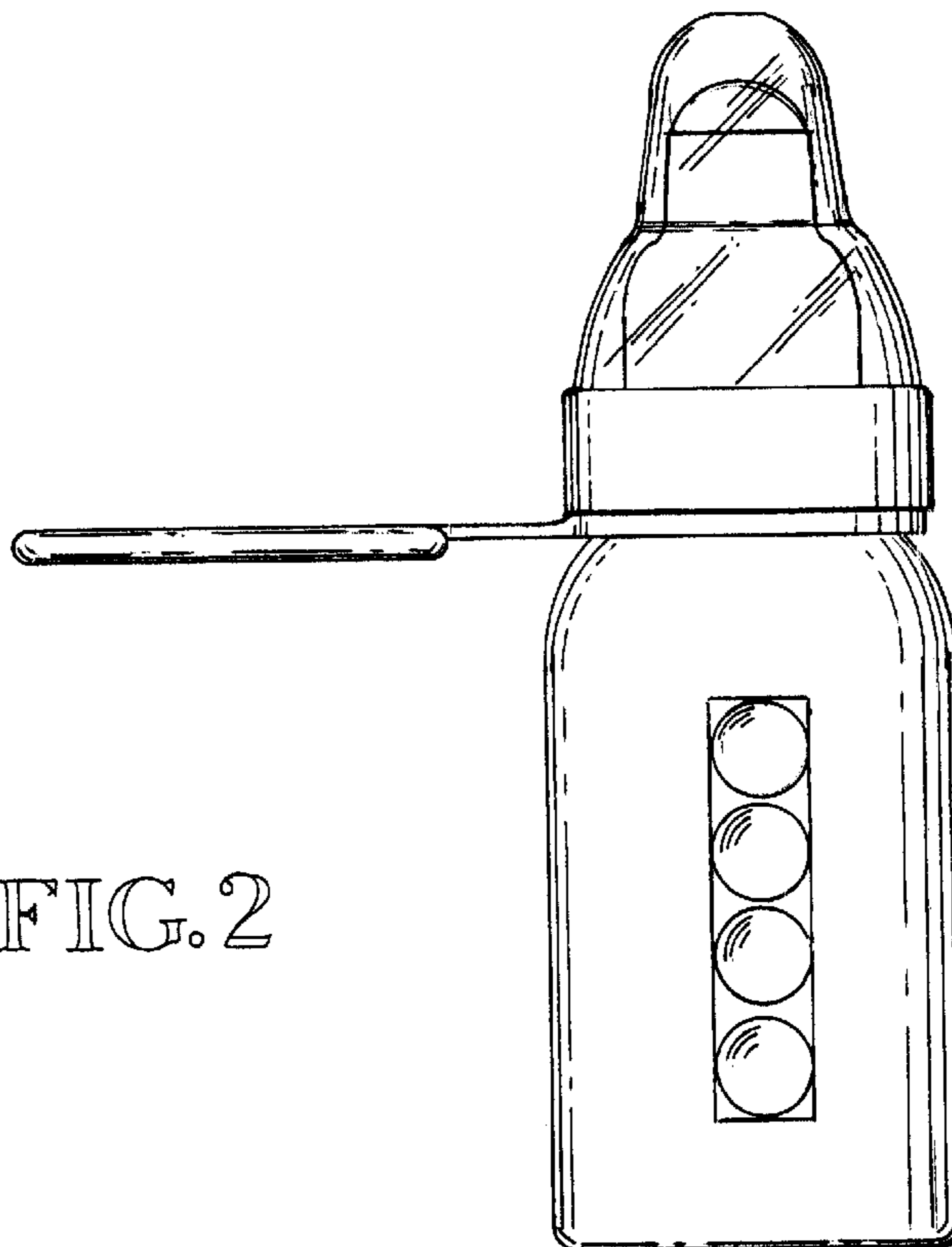


FIG. 2

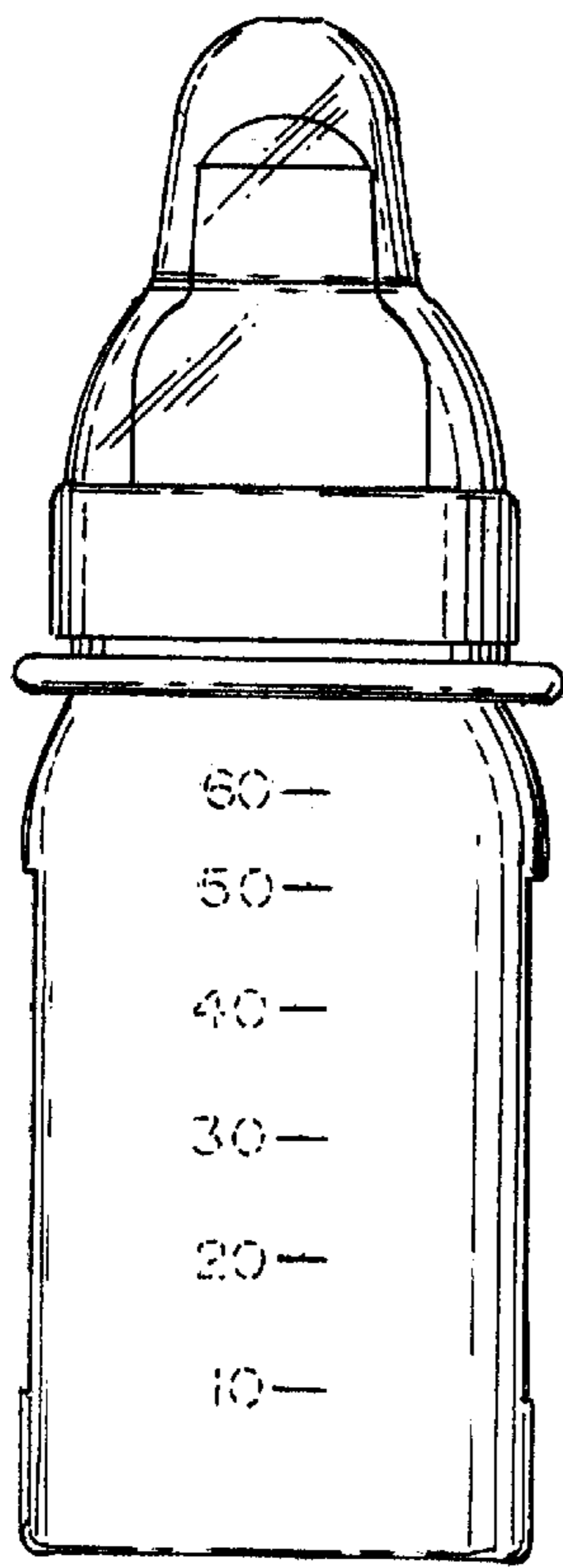


FIG. 3

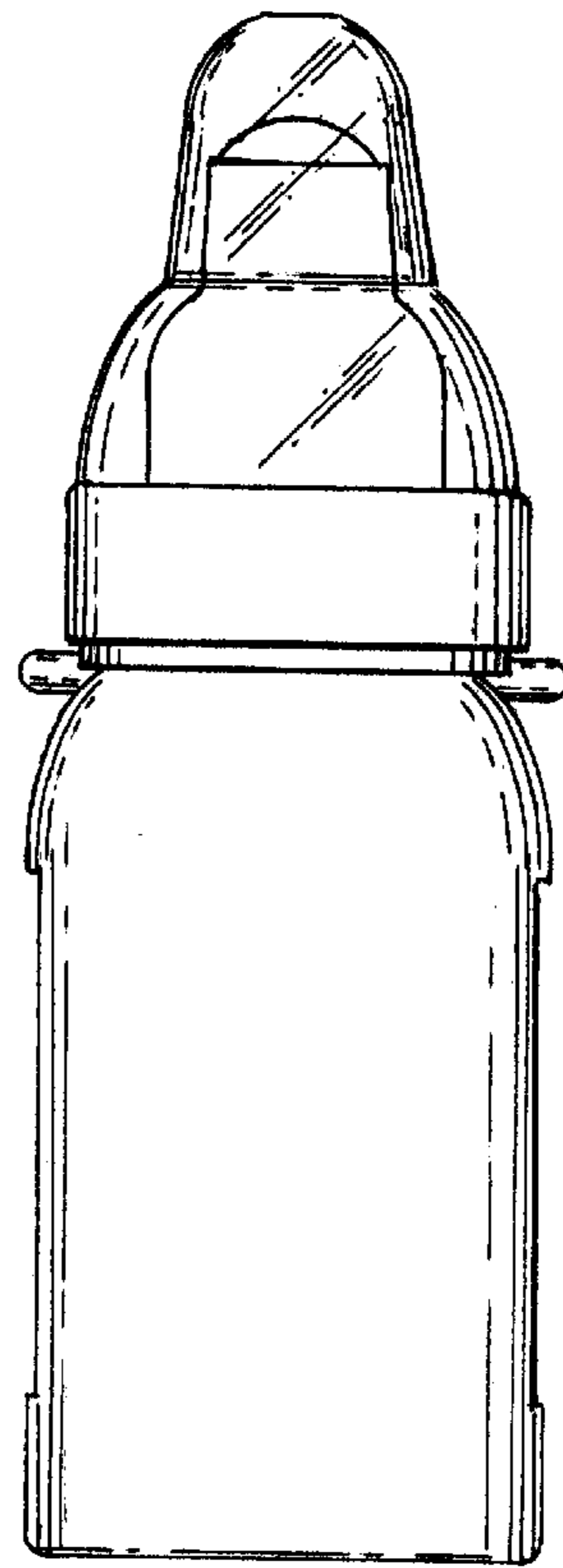


FIG. 4

FIG. 5

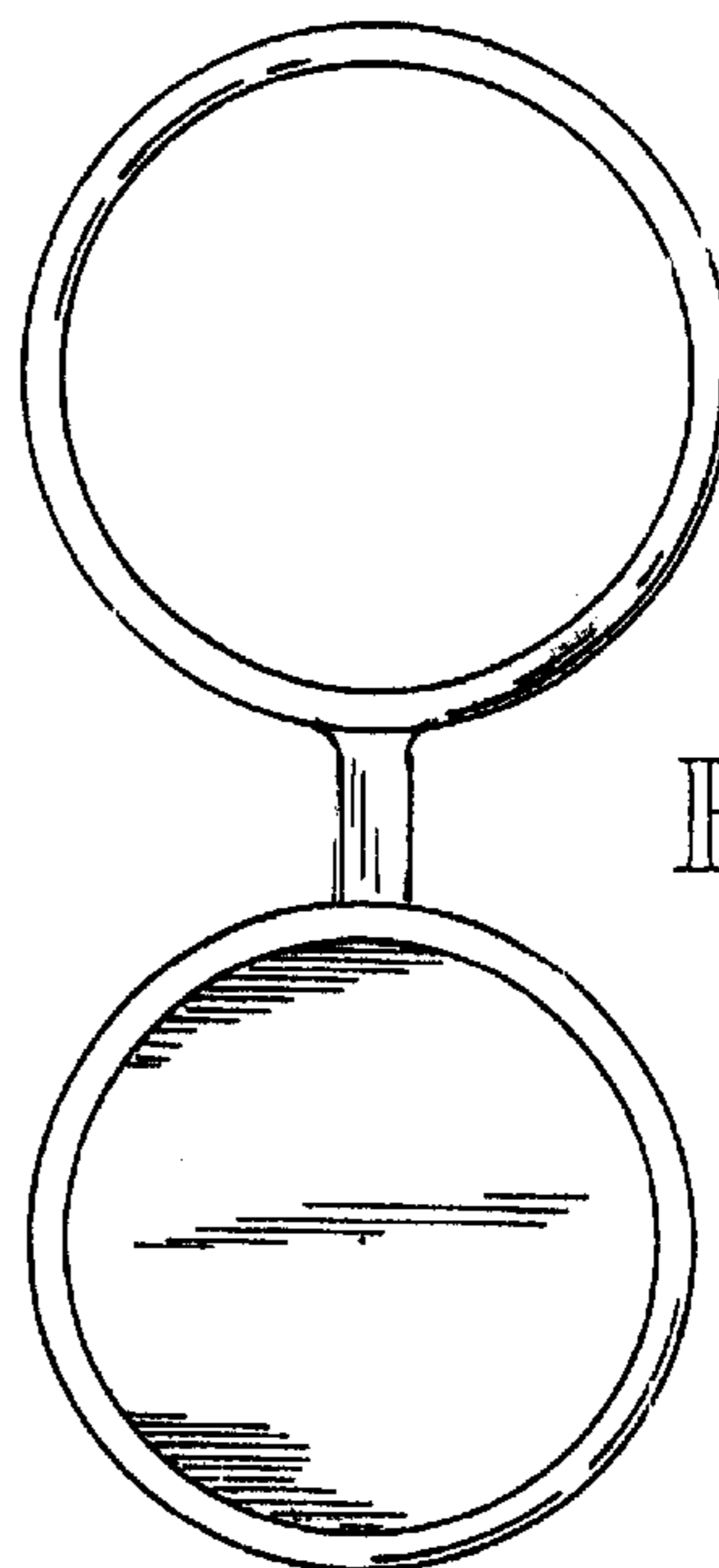
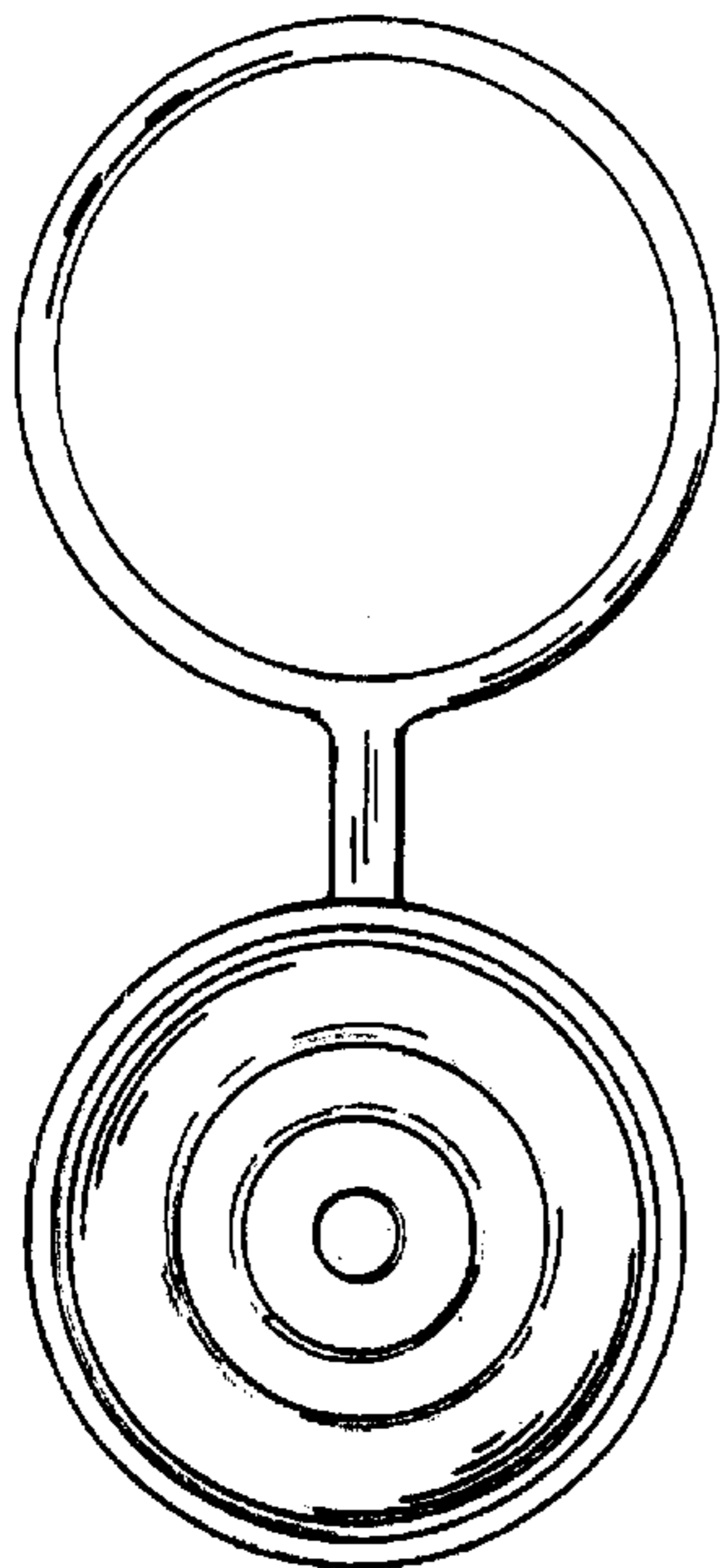


FIG. 6

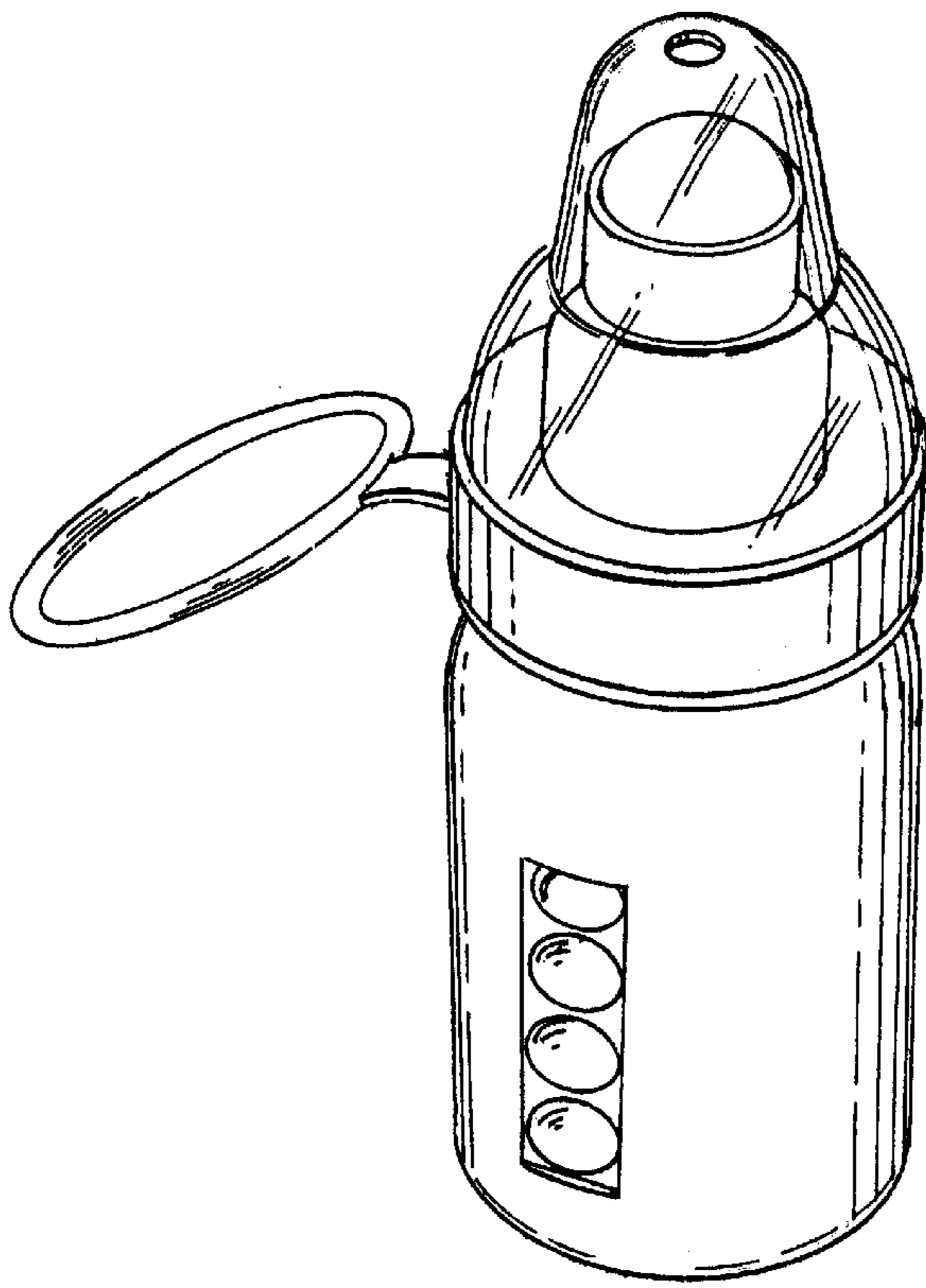


FIG. 7

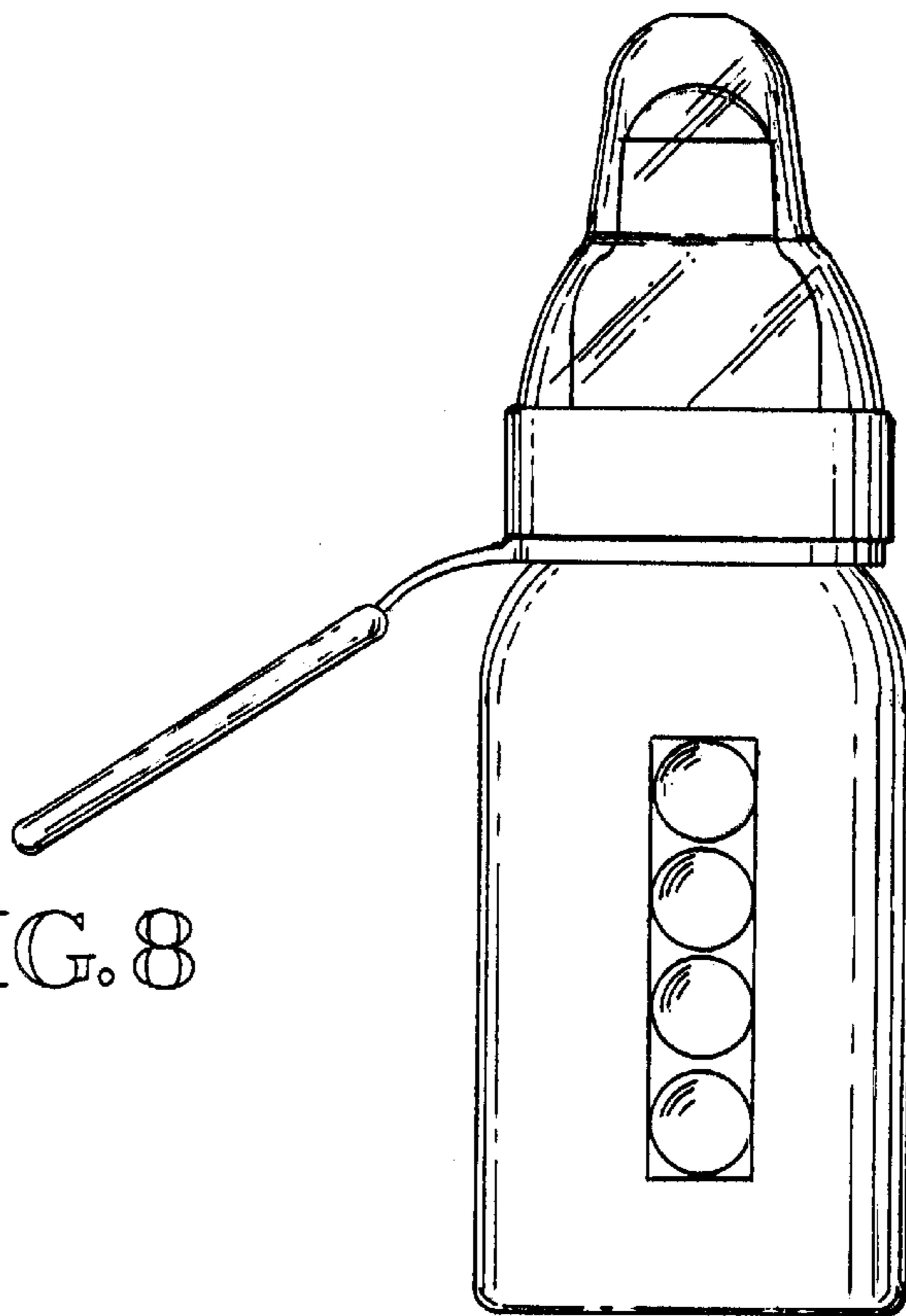


FIG. 8

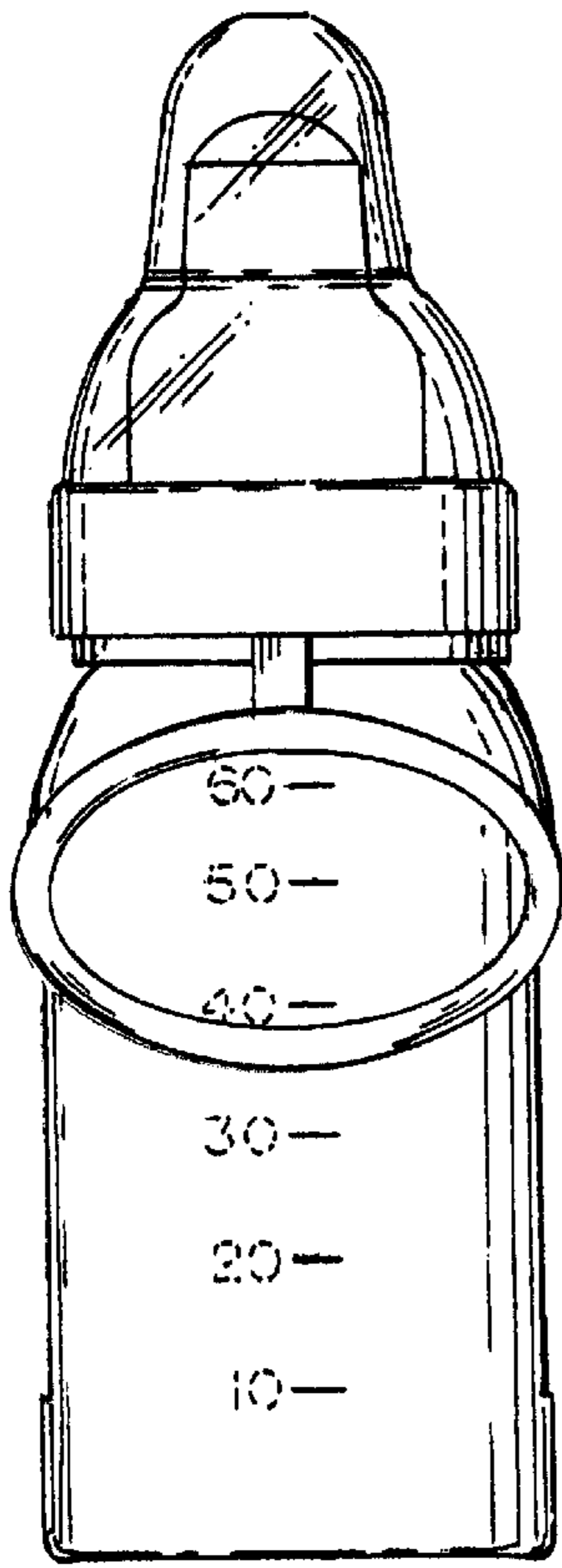


FIG. 9

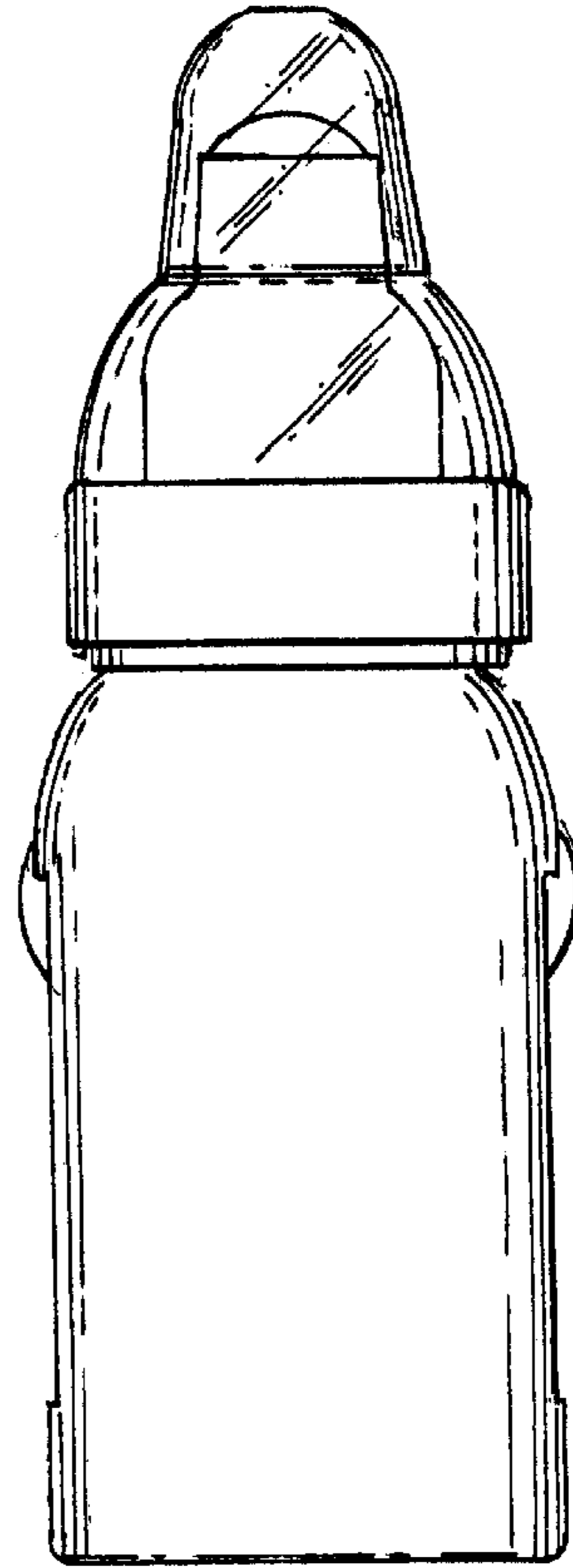


FIG. 10

FIG. 11

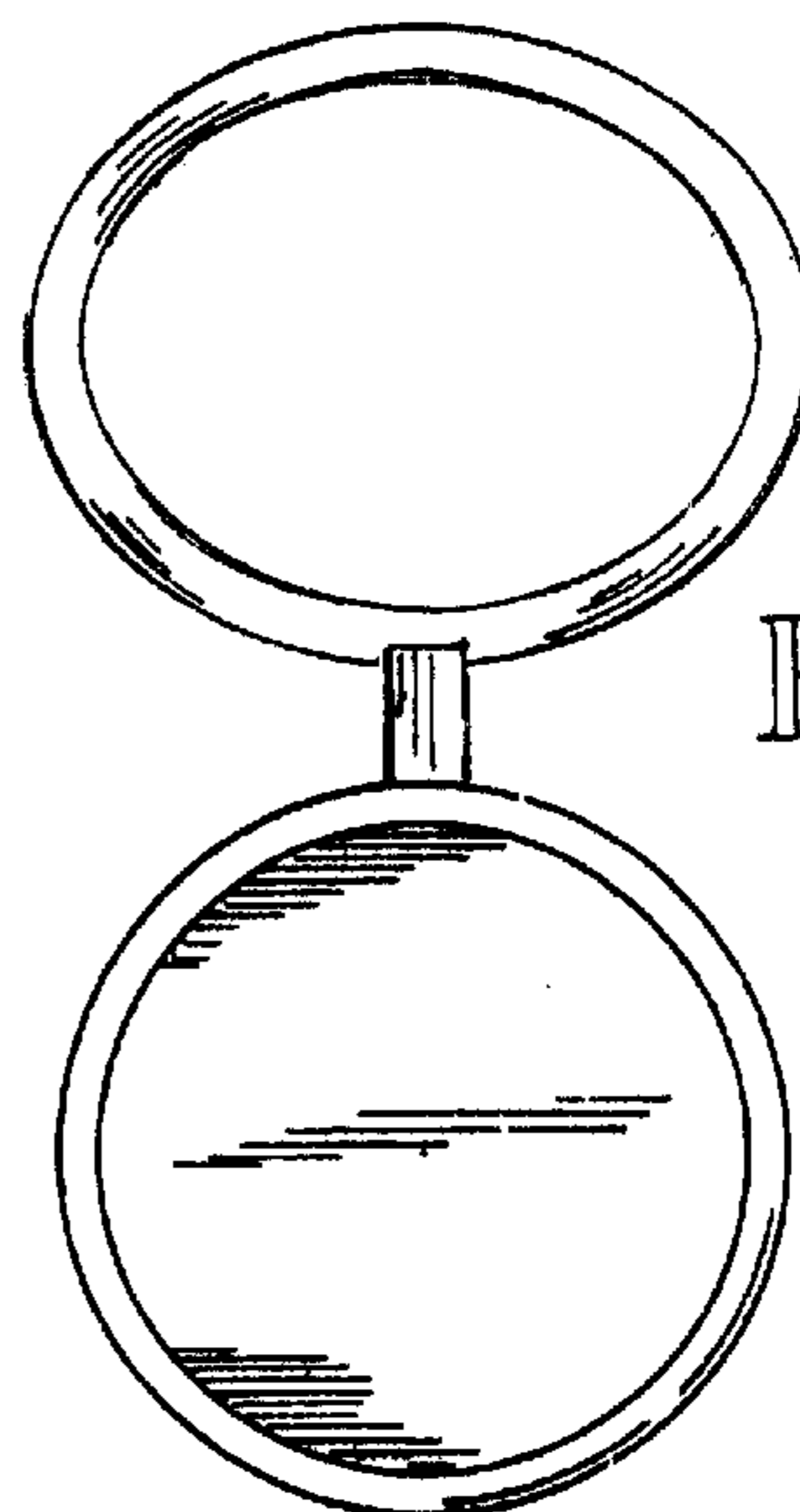
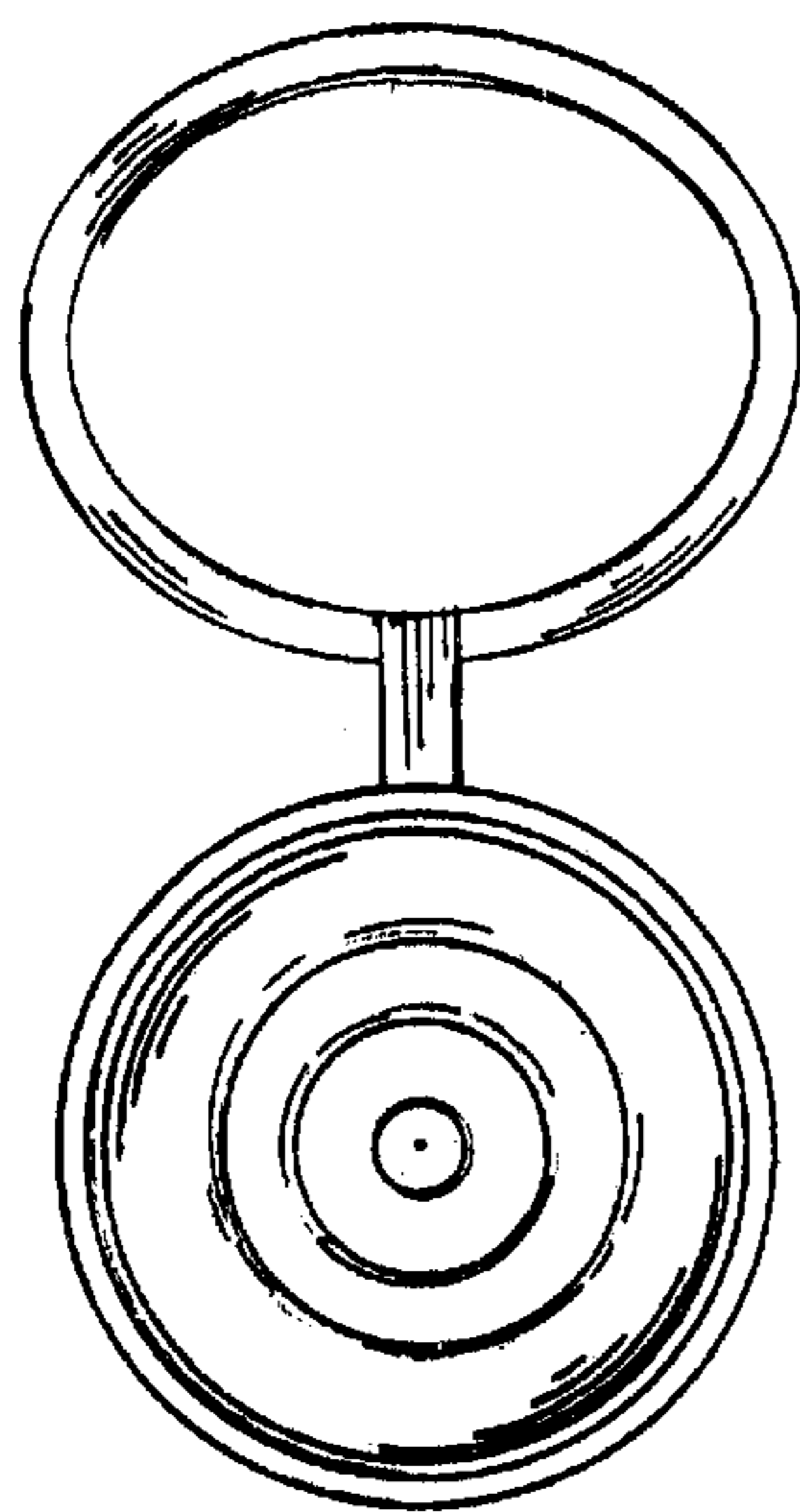


FIG. 12