



US00D477527S

(12) **United States Design Patent**
Bradford

(10) **Patent No.:** **US D477,527 S**

(45) **Date of Patent:** **** Jul. 22, 2003**

(54) **COUPLING**

(76) **Inventor:** **Homer Thomas Bradford**, 515 Koch Ave. W., Evansville, IN (US) 47714

(**) **Term:** **14 Years**

(21) **Appl. No.:** **29/148,875**

(22) **Filed:** **Sep. 27, 2001**

(51) **LOC (7) Cl.** **08-08**

(52) **U.S. Cl.** **D8/382**

(58) **Field of Search** D8/382; D23/262, D23/266; 403/170, 171, 176, 205, 217-219, 298, DIG. 10

(56) **References Cited**

U.S. PATENT DOCUMENTS

618,639 A *	1/1899	Bullard	
1,818,172 A *	8/1931	Sutherland	403/205
2,839,320 A *	6/1958	Hill	403/172
3,074,203 A *	1/1963	Paksy	403/171
D211,905 S *	8/1968	Goodridge	D8/396
3,873,219 A *	3/1975	Pofferi	108/192
3,883,257 A *	5/1975	Delafield	297/440.24
4,242,969 A *	1/1981	Checkwood et al.	108/156
4,274,222 A *	6/1981	Zahn et al.	124/5
4,711,595 A *	12/1987	Magid et al.	403/108
D303,457 S *	9/1989	Stewart	D6/300
D304,904 S *	12/1989	Kercher	D23/262
5,150,980 A *	9/1992	Lin	403/174
D355,589 S *	2/1995	Kuwata	D8/382
5,421,273 A *	6/1995	Lin	108/180

5,421,666 A *	6/1995	Spears	403/169
5,499,882 A *	3/1996	Waterhouse	285/181
5,605,410 A *	2/1997	Pantev	403/174
5,678,706 A *	10/1997	Husak et al.	211/189
5,700,102 A *	12/1997	Feleppa	403/170
5,908,260 A *	6/1999	Watson et al.	403/205
6,095,713 A *	8/2000	Doyle et al.	403/103
6,108,984 A *	8/2000	Davidson	403/171
6,413,004 B1 *	7/2002	Lin	403/171

* cited by examiner

Primary Examiner—Alan P. Douglas

Assistant Examiner—Claire E. Heflin

(74) *Attorney, Agent, or Firm*—Gary K. Price, Esq.

(57) **CLAIM**

The ornamental design for a coupling, as shown and described.

DESCRIPTION

FIG. 1 is a side elevational view of a coupling showing my design;
 FIG. 2 is a rear elevational view thereof;
 FIG. 3 is a front perspective view thereof;
 FIG. 4 is a side elevational view of my new design, the sole difference being in the position of the coupling;
 FIG. 5 is a front perspective view of my design, the sole difference being in the position of the coupling; and,
 FIG. 6 is a rear perspective view of my design, the sole difference being in the position of the coupling.

1 Claim, 6 Drawing Sheets

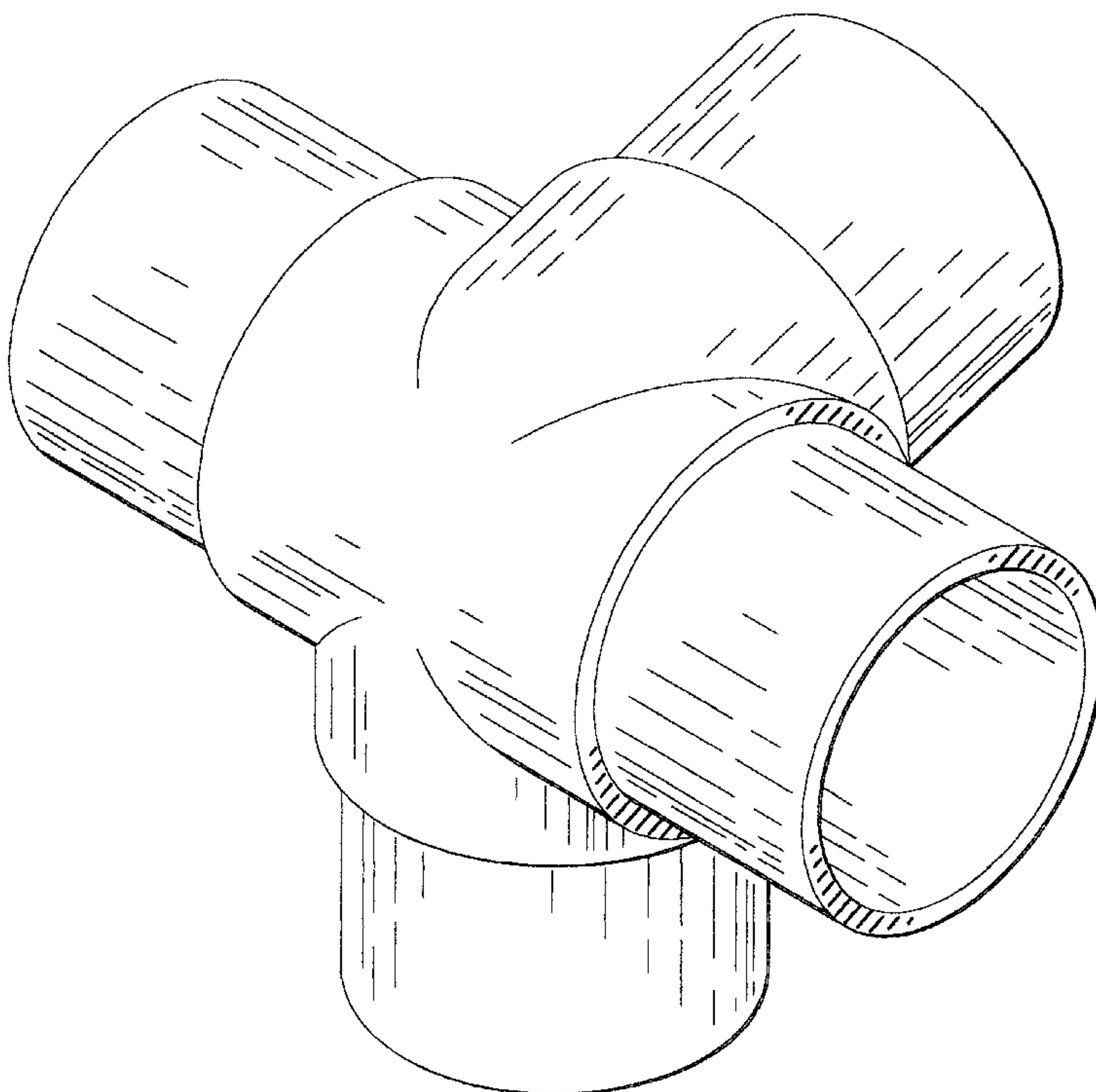


Fig. 1

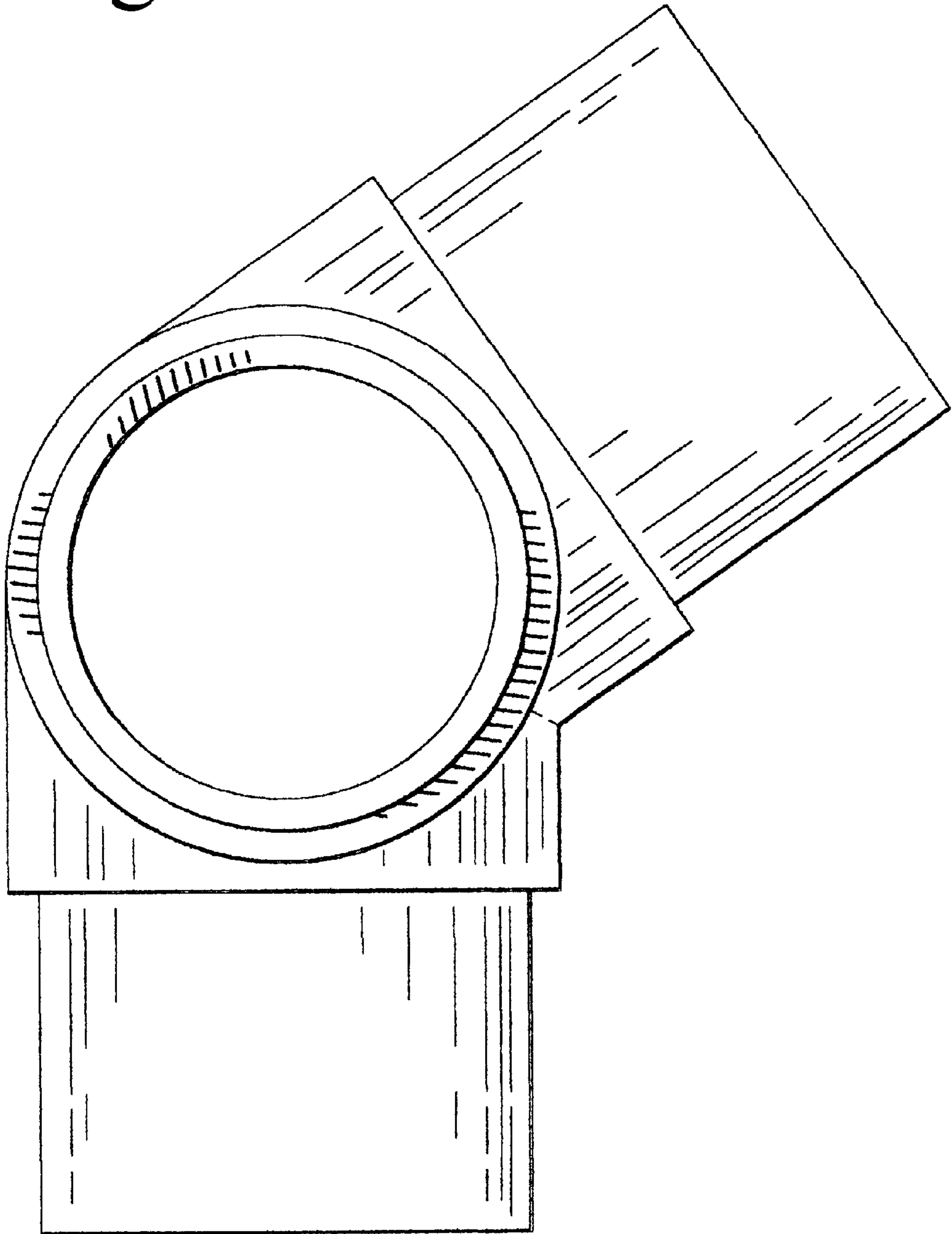


Fig. 2

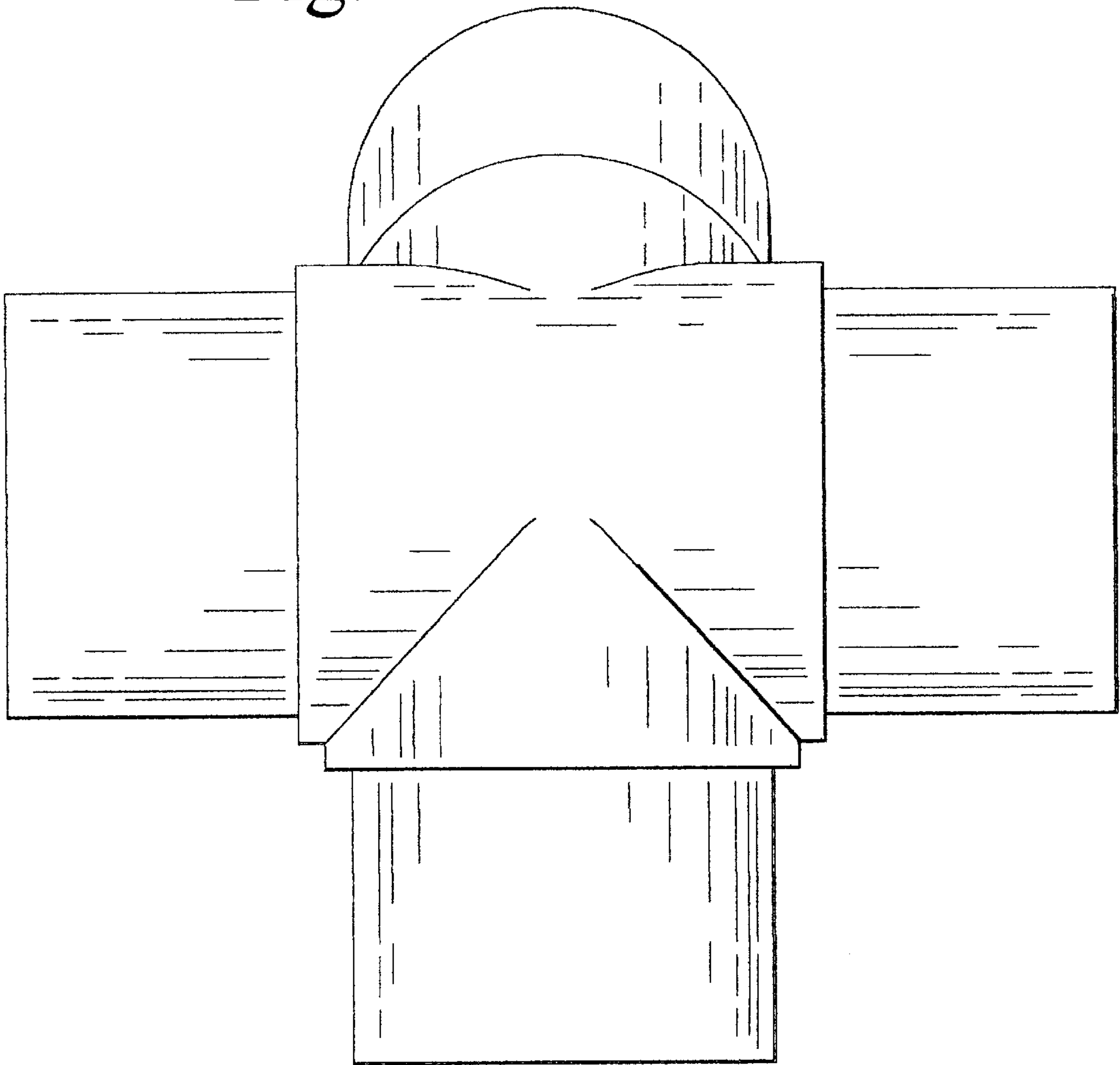


Fig. 3

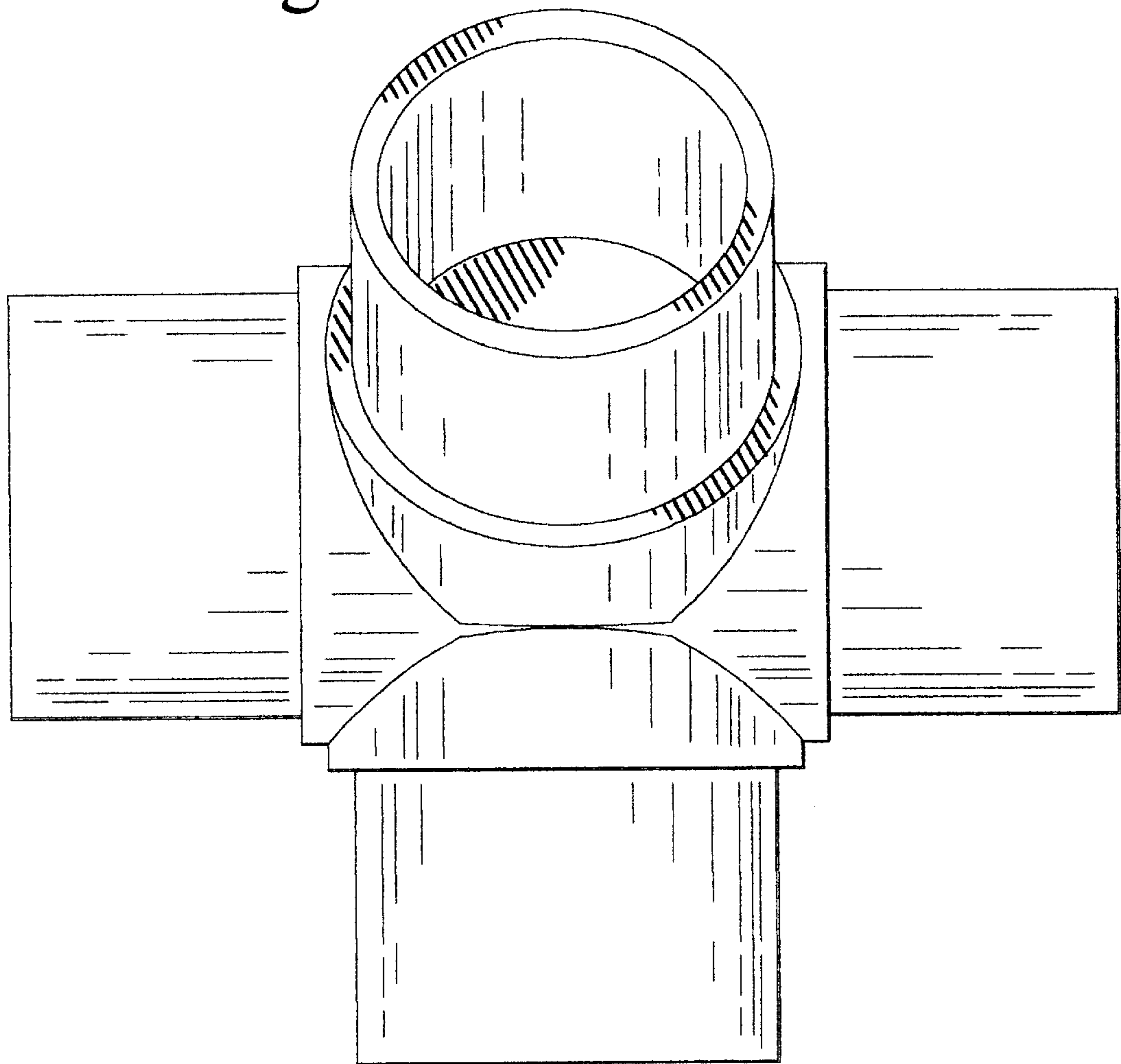


Fig. 4

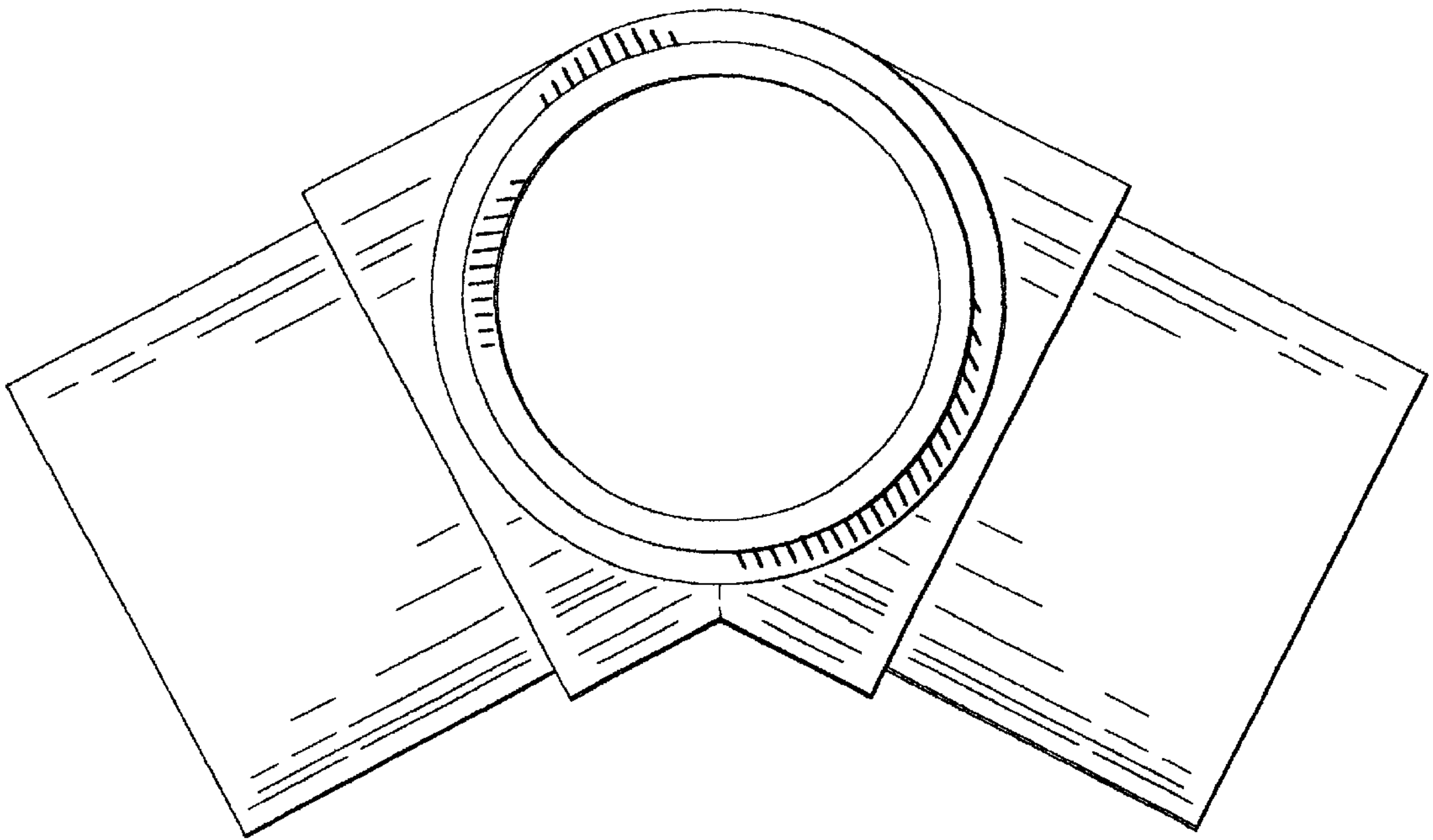


Fig. 5

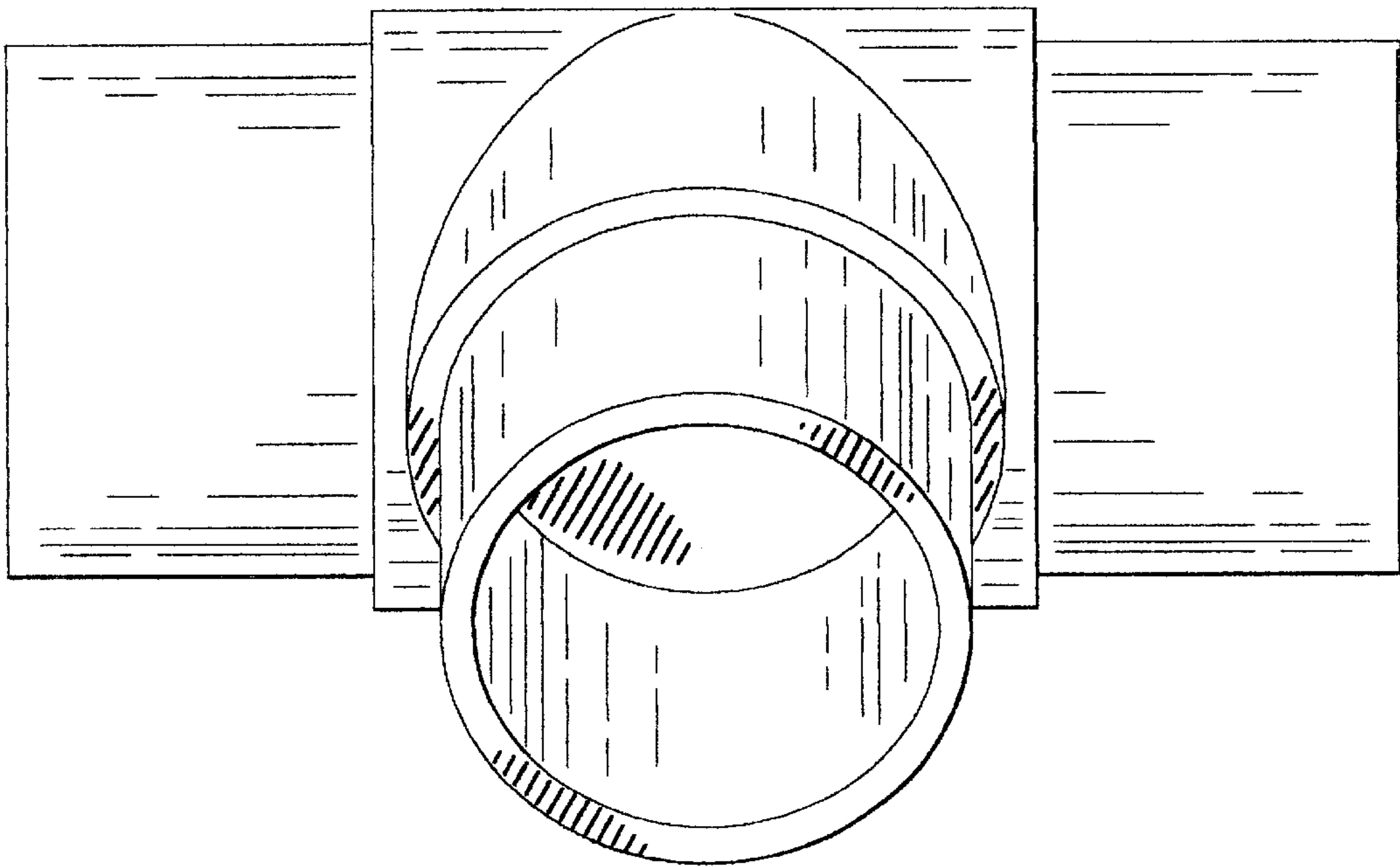


Fig. 6

