



US00D477525S

(12) **United States Design Patent**
Ling

(10) **Patent No.:** **US D477,525 S**

(45) **Date of Patent:** **** Jul. 22, 2003**

(54) **COMBINATION LOCK**

(76) Inventor: **Renny Tse-Haw Ling**, c/o Sinox Co.,
Ltd., P.O. Box 4-50, Chung-Ho City,
Taipei Hsien (TW)

(**) Term: **14 Years**

(21) Appl. No.: **29/170,872**

(22) Filed: **Nov. 14, 2002**

(51) **LOC (7) Cl.** **08-07**

(52) **U.S. Cl.** **D8/330; D8/333**

(58) **Field of Search** D8/330, 331, 343,
D8/333; 70/14, 22, 30, 49, 51, 52, 57, 58,
174, DIG. 72; D14/432, 439

(56) **References Cited**

U.S. PATENT DOCUMENTS

D337,041 S	*	7/1993	Carl	D8/331
D347,987 S	*	6/1994	Carl et al.	D8/343
5,381,685 A	*	1/1995	Carl et al.	70/14 X
D370,621 S	*	6/1996	Themistos et al.	D8/343
5,829,280 A	*	11/1998	Chen	70/49
D427,883 S	*	7/2000	Ling	D8/331

* cited by examiner

Primary Examiner—Brian N. Vinson

(74) *Attorney, Agent, or Firm*—Birch, Stewart, Kolasch &
Birch, LLP

(57) **CLAIM**

The ornamental design for “combination lock”, as shown
and described.

DESCRIPTION

FIG. 1 is a perspective view of “combination lock” showing
our new design thereof;

FIG. 2 is a right side elevational view;

FIG. 3 is a top plan view thereof;

FIG. 4 is a front side elevational view;

FIG. 5 is a bottom plan view thereof;

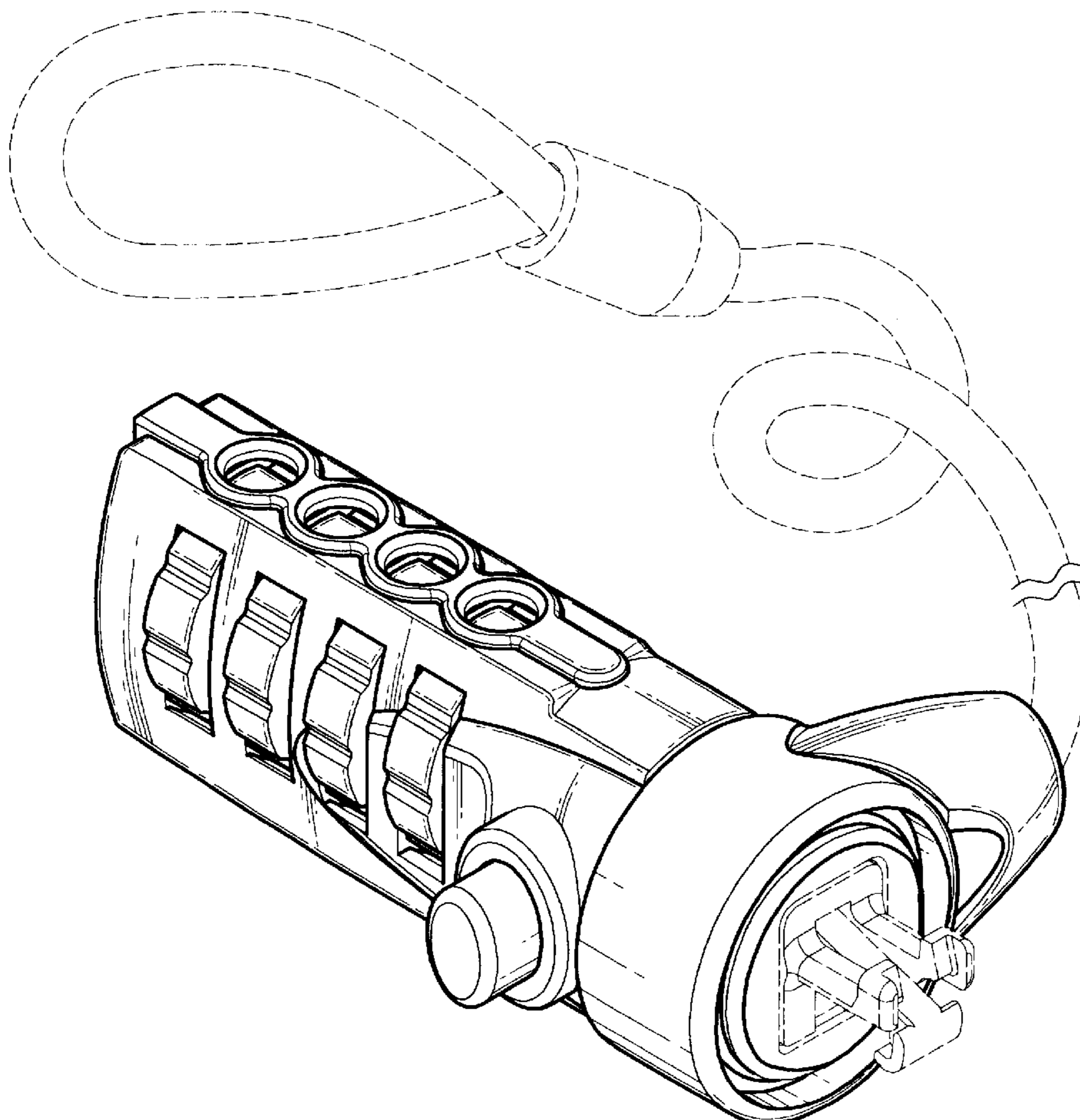
FIG. 6 is a left side elevational view;

FIG. 7 is a rear side elevational view; and,

FIG. 8 is a perspective view thereof shown in using position.

The broken-line disclosure in the views is for illustrative
purposes only and forms no part of the claimed design.

1 Claim, 4 Drawing Sheets



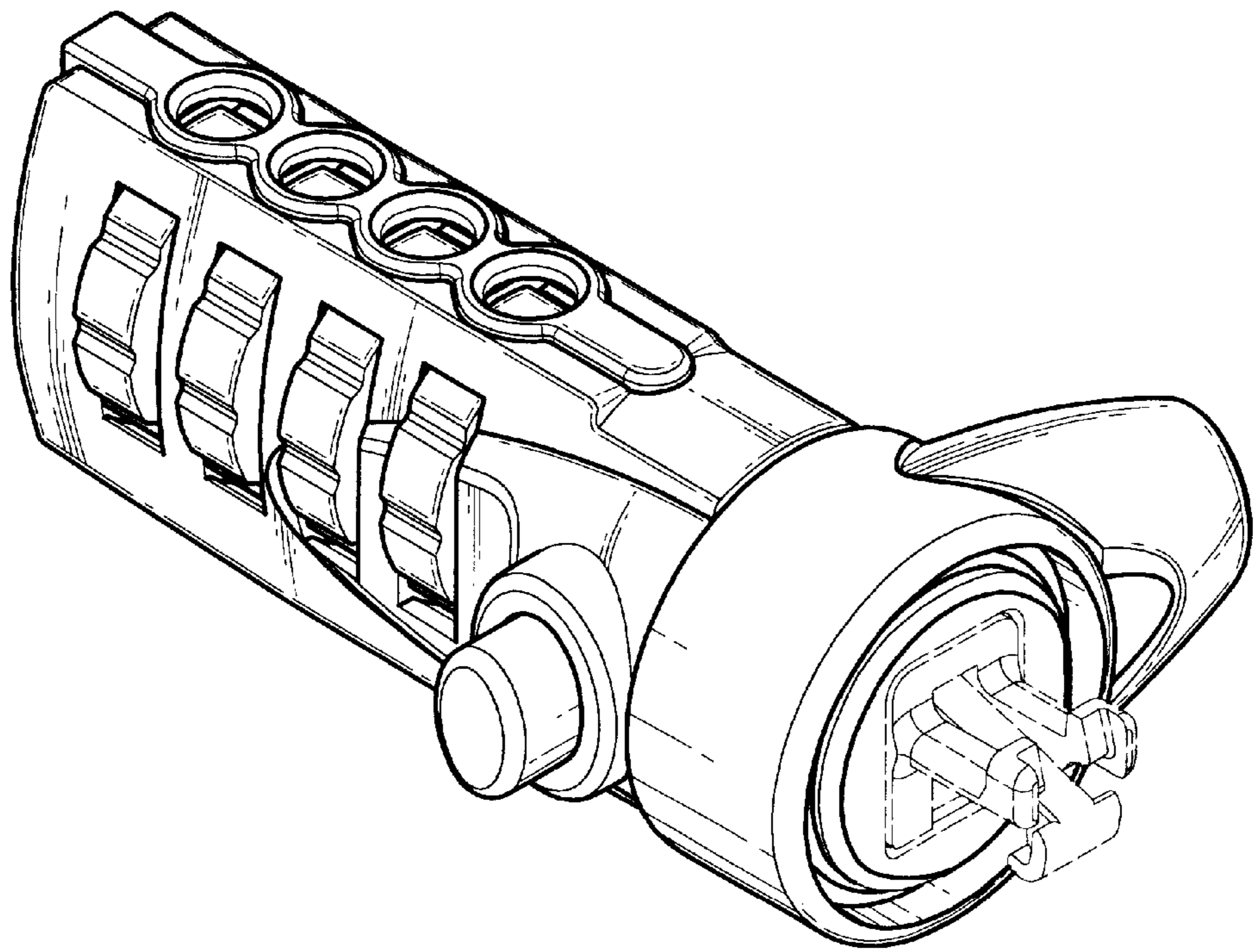


Fig. 1

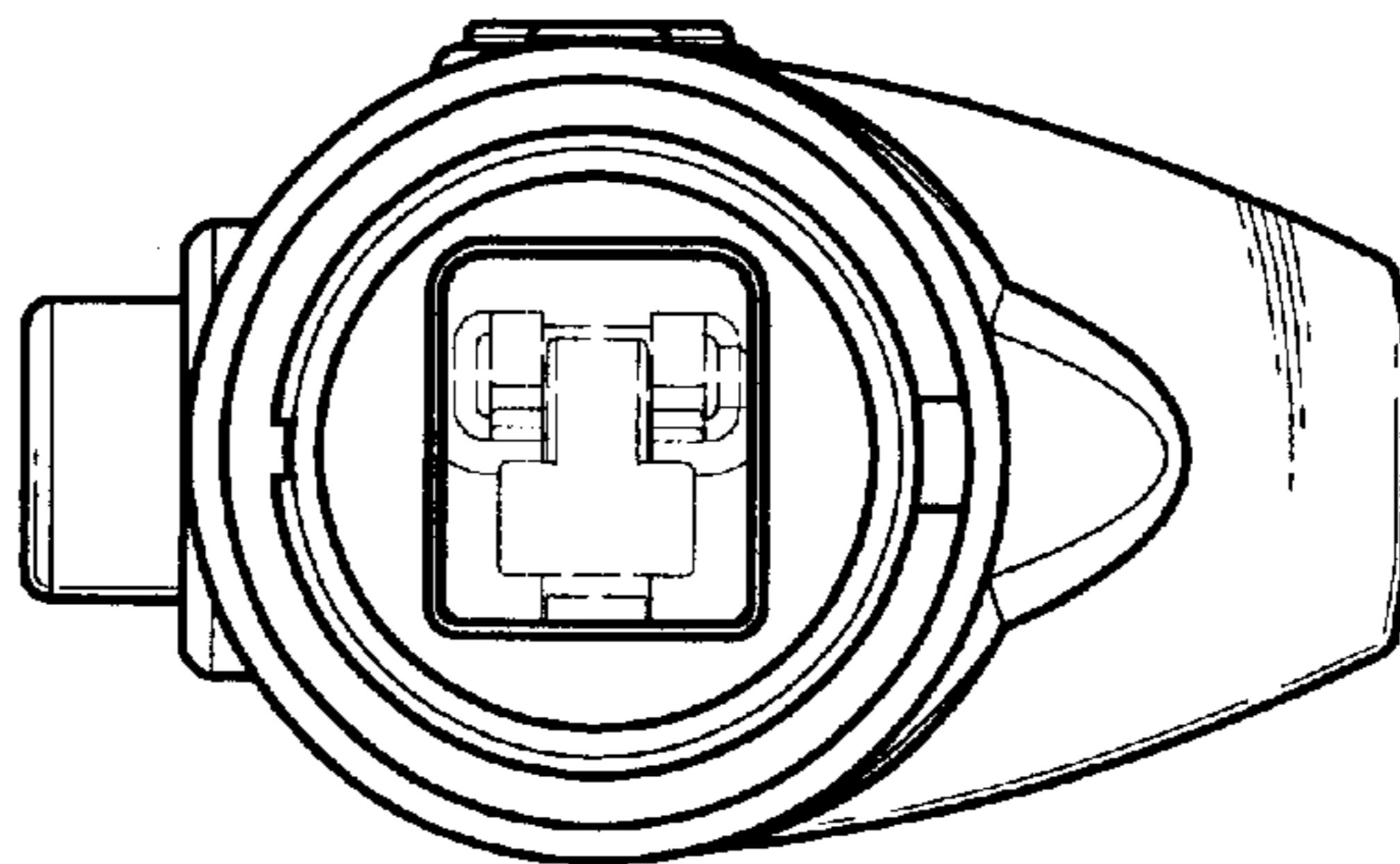


Fig. 2

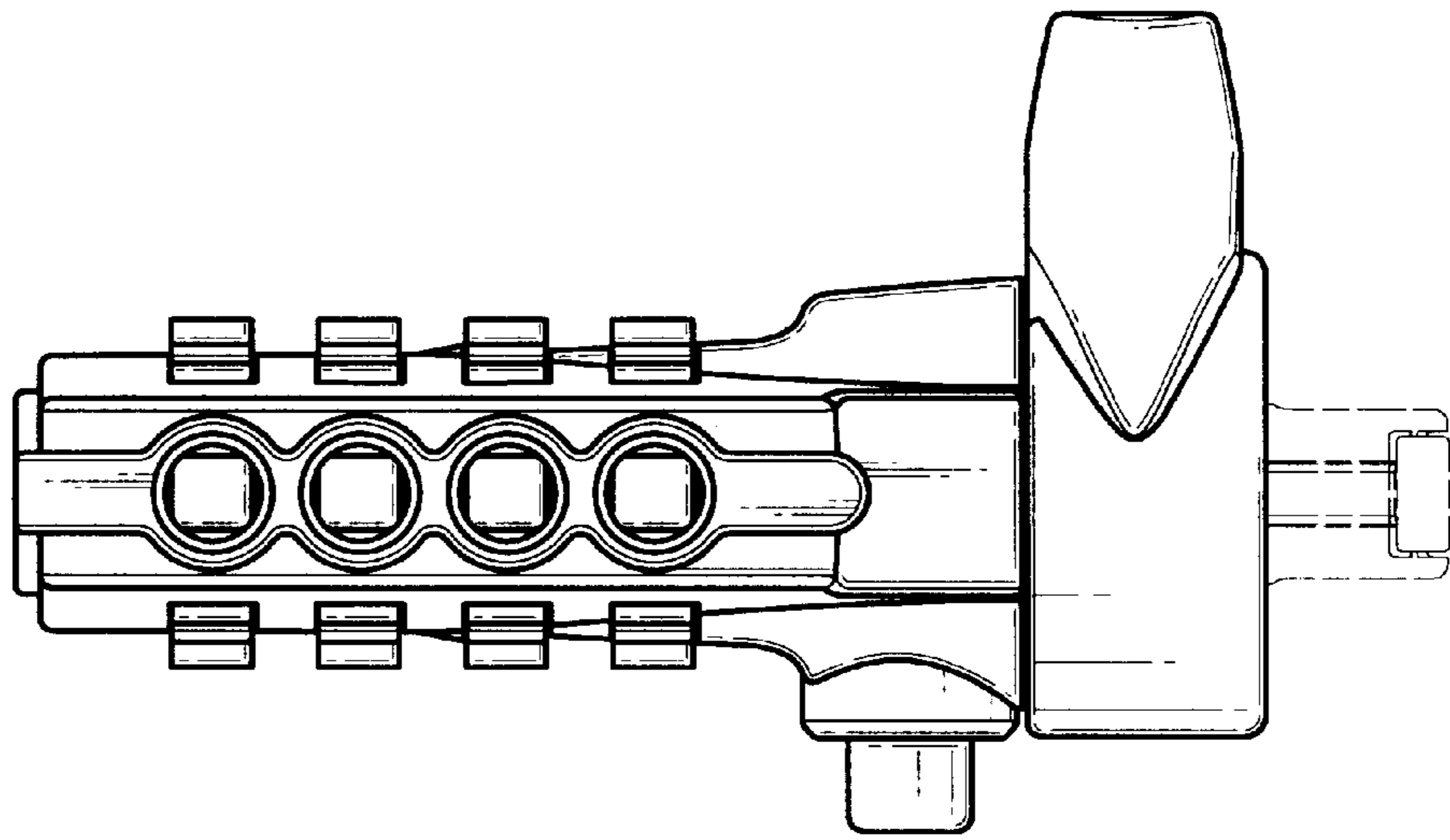


Fig.3

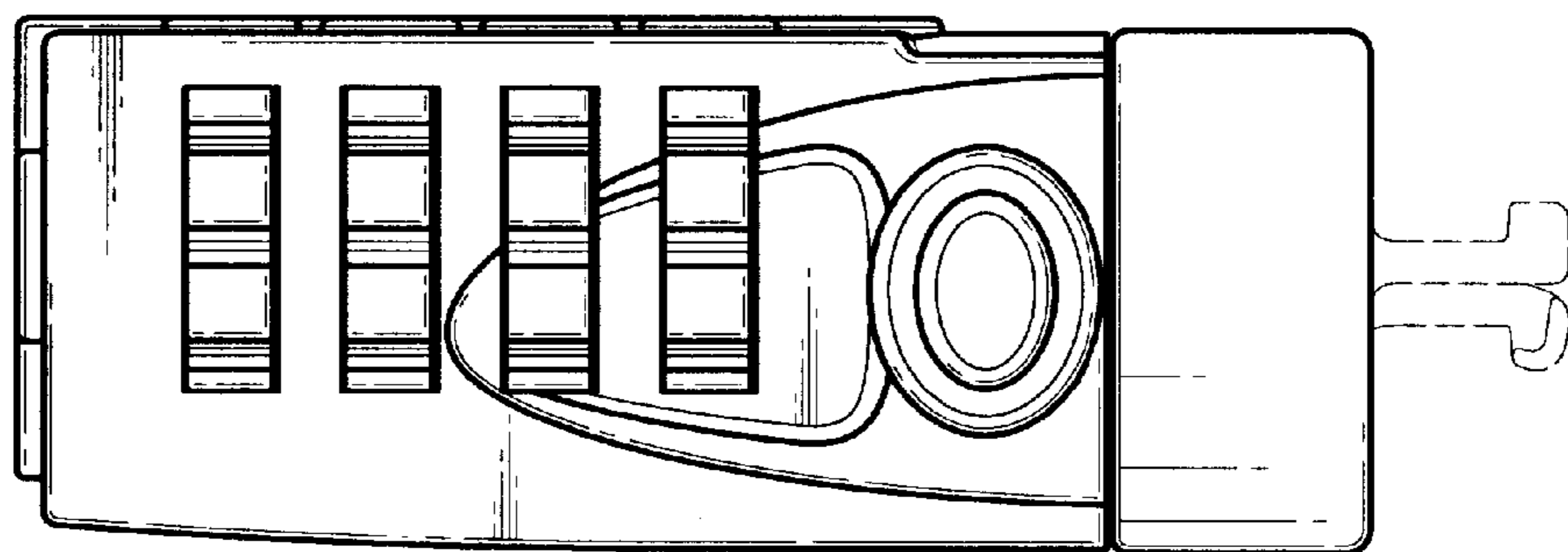


Fig.4

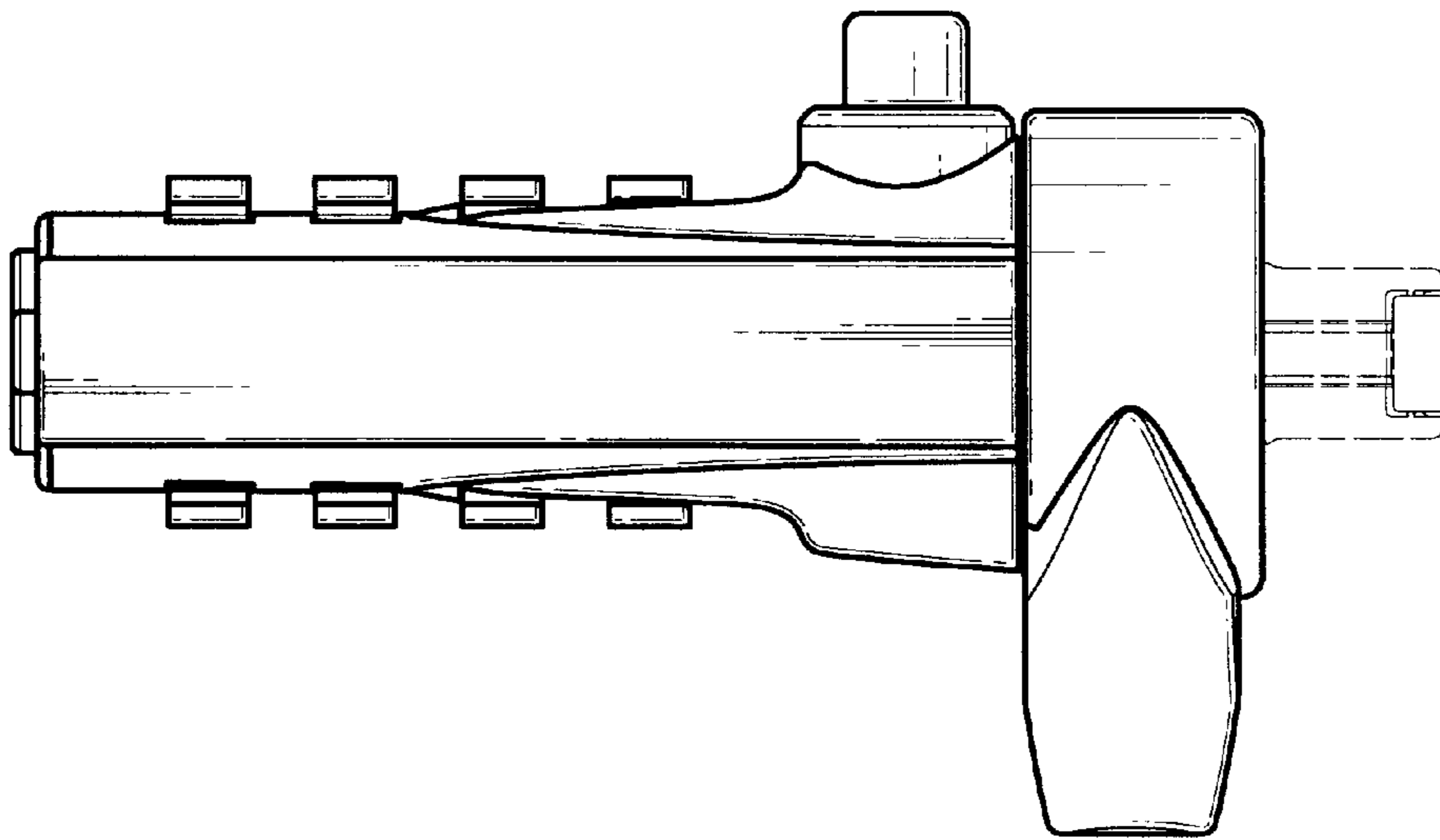


Fig. 5

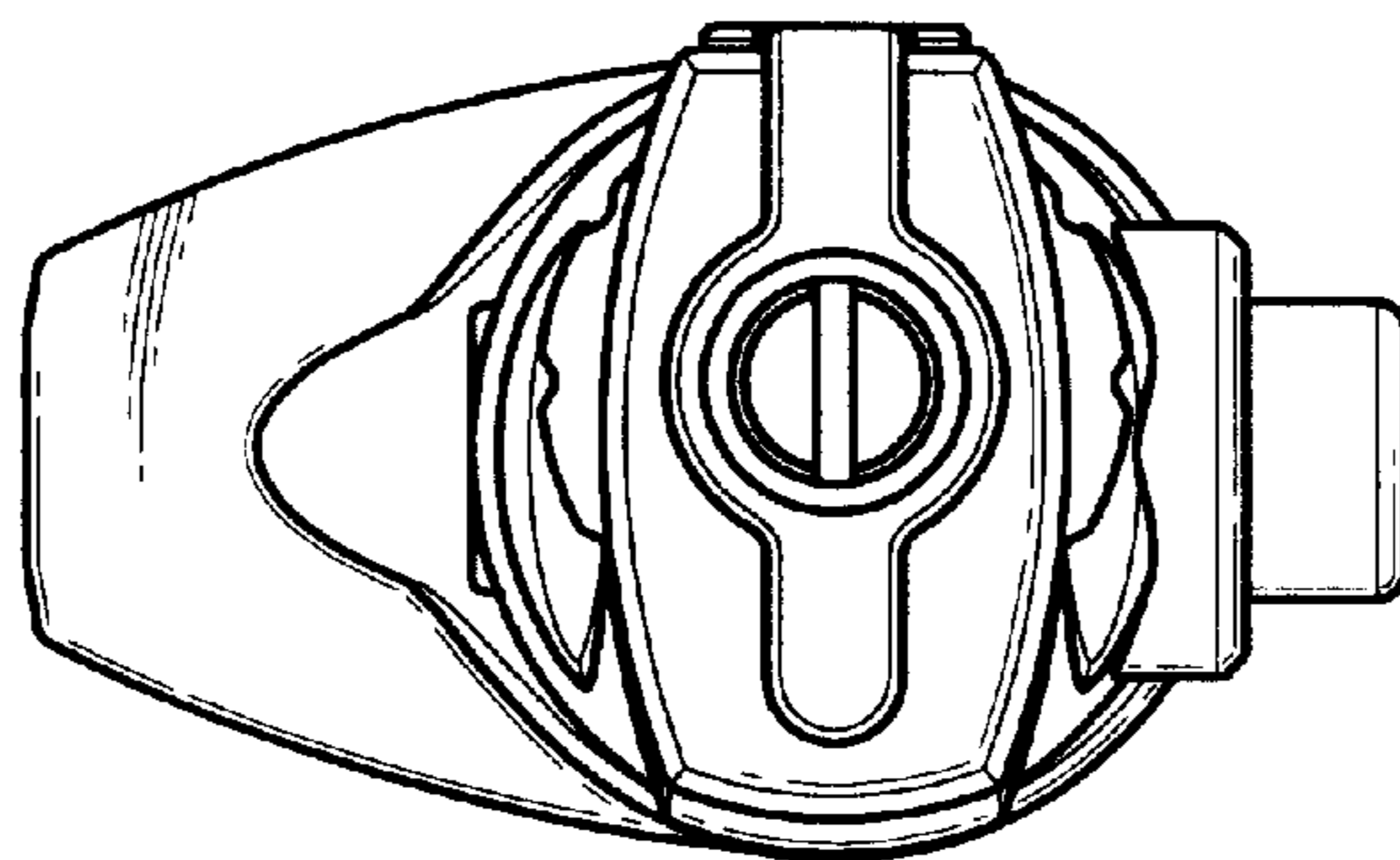


Fig. 6

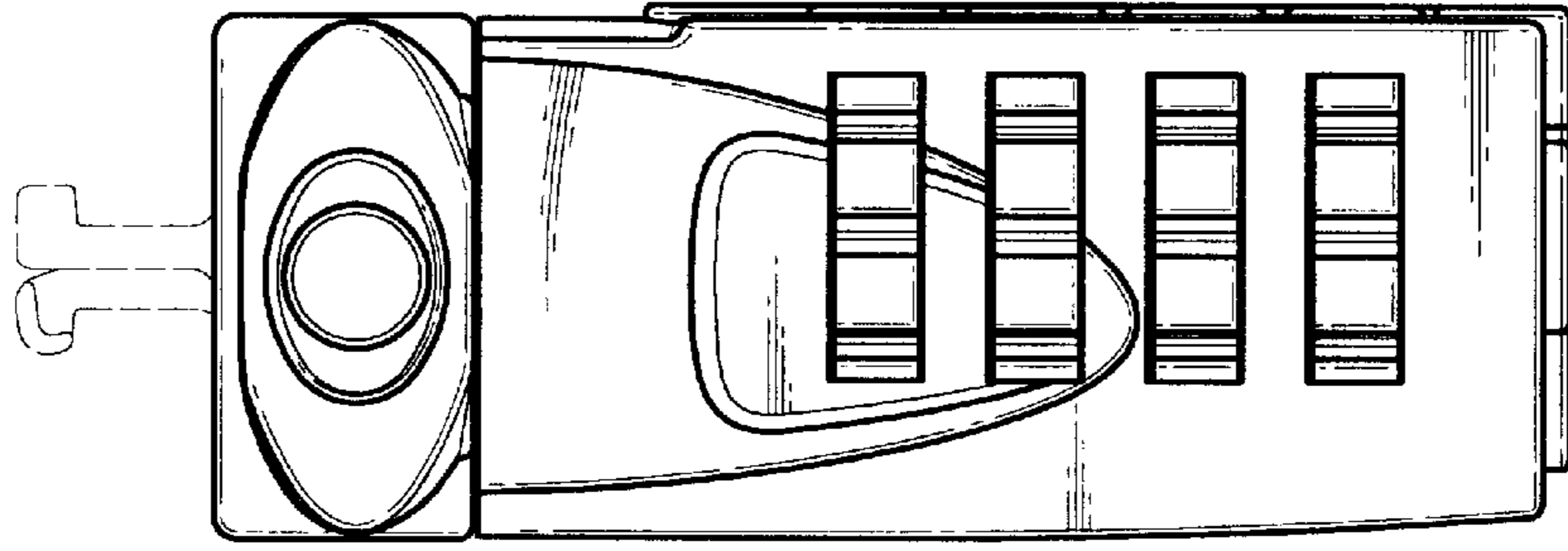


Fig. 7

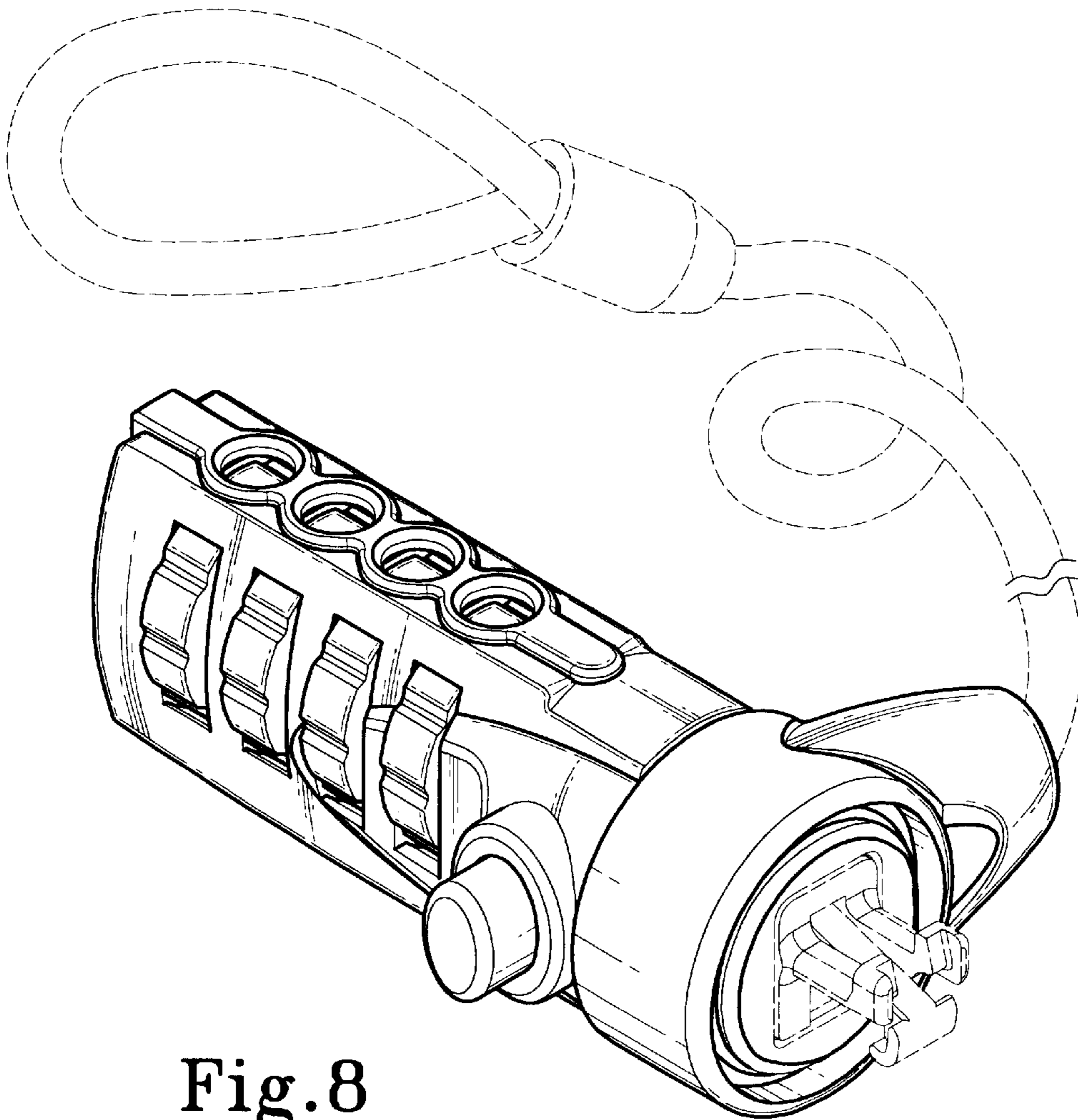


Fig. 8