



US00D477524S

(12) **United States Design Patent**  
**Chen**

(10) **Patent No.:** **US D477,524 S**

(45) **Date of Patent:** **\*\* Jul. 22, 2003**

(54) **POCKET KNIFE**

D469,677 S \* 2/2003 Hung ..... D8/105

(76) Inventor: **Jui-Tung Chen**, No. 2, Ting-Chu-Wei,  
Huwei Chen, Yunlin Hsien (TW)

\* cited by examiner

(\*\*) Term: **14 Years**

*Primary Examiner*—Nelson C. Holtje  
(74) *Attorney, Agent, or Firm*—Rosenberg, Klein & Lee

(21) Appl. No.: **29/172,785**

(57) **CLAIM**

(22) Filed: **Dec. 18, 2002**

The ornamental design for a pocket knife, as shown and described.

(51) **LOC (7) Cl.** ..... **08-03**

**DESCRIPTION**

(52) **U.S. Cl.** ..... **D8/105**

(58) **Field of Search** ..... D8/14, 55, 83,  
D8/93-94, 104-105; 7/118, 128, 131, 135;  
30/169, 123, 154-155, 186, 191; 81/440

FIG. 1 is a perspective view of a pocket knife, showing my new design;

FIG. 2 is a front elevational view thereof;

FIG. 3 is a rear elevational view thereof;

FIG. 4 is a left elevational view thereof;

FIG. 5 is a right elevational view thereof;

FIG. 6 is top plan view thereof; and,

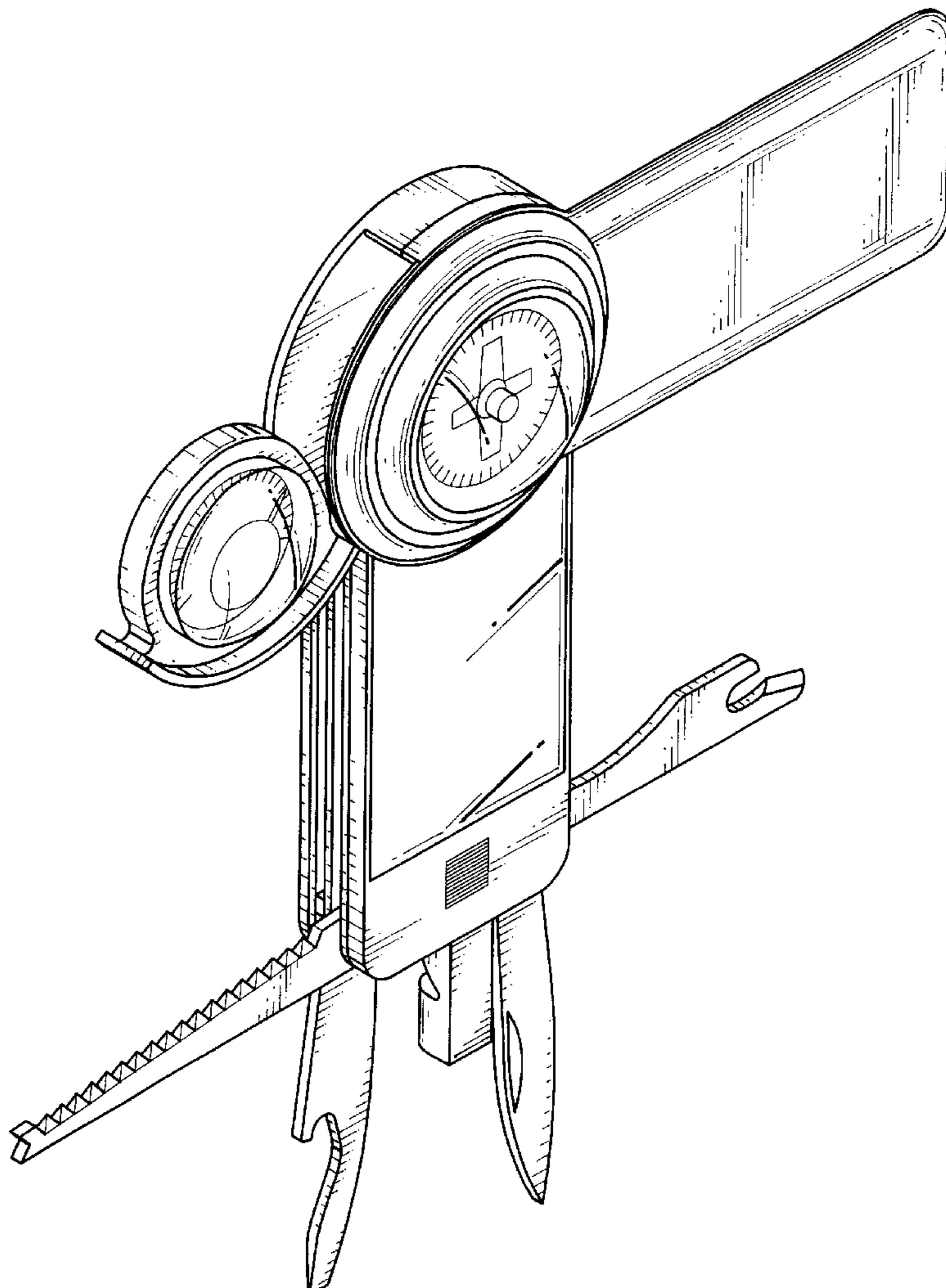
FIG. 7 is a bottom plan view thereof.

(56) **References Cited**

**U.S. PATENT DOCUMENTS**

- D413,504 S \* 9/1999 Kung ..... D8/105
- D433,915 S \* 11/2000 Elsener, Sr. .... D8/105
- D463,494 S \* 9/2002 Mori ..... D19/65
- 6,481,034 B2 \* 11/2002 Elsener et al. .... 7/118

**1 Claim, 5 Drawing Sheets**



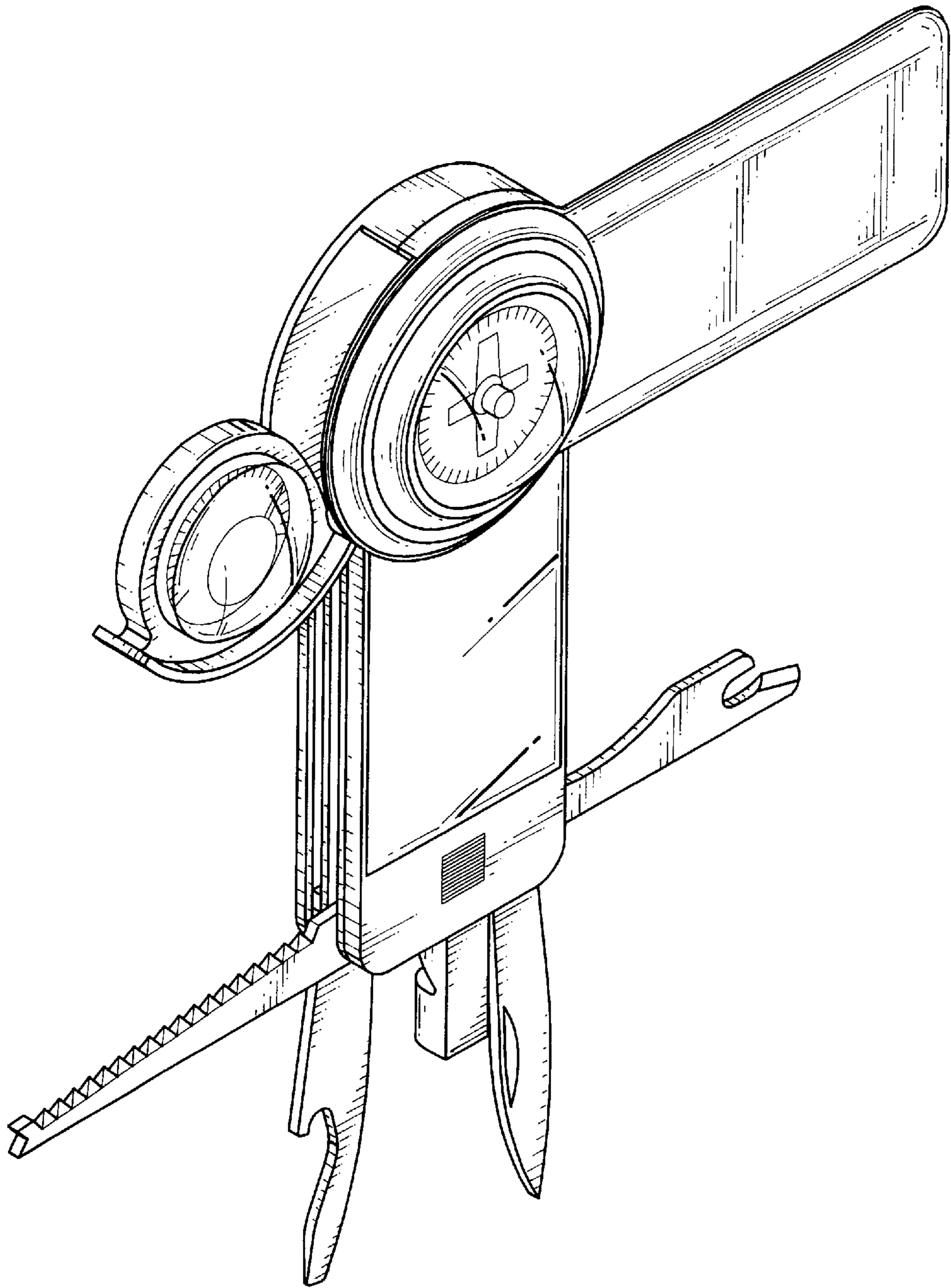


FIG. 1

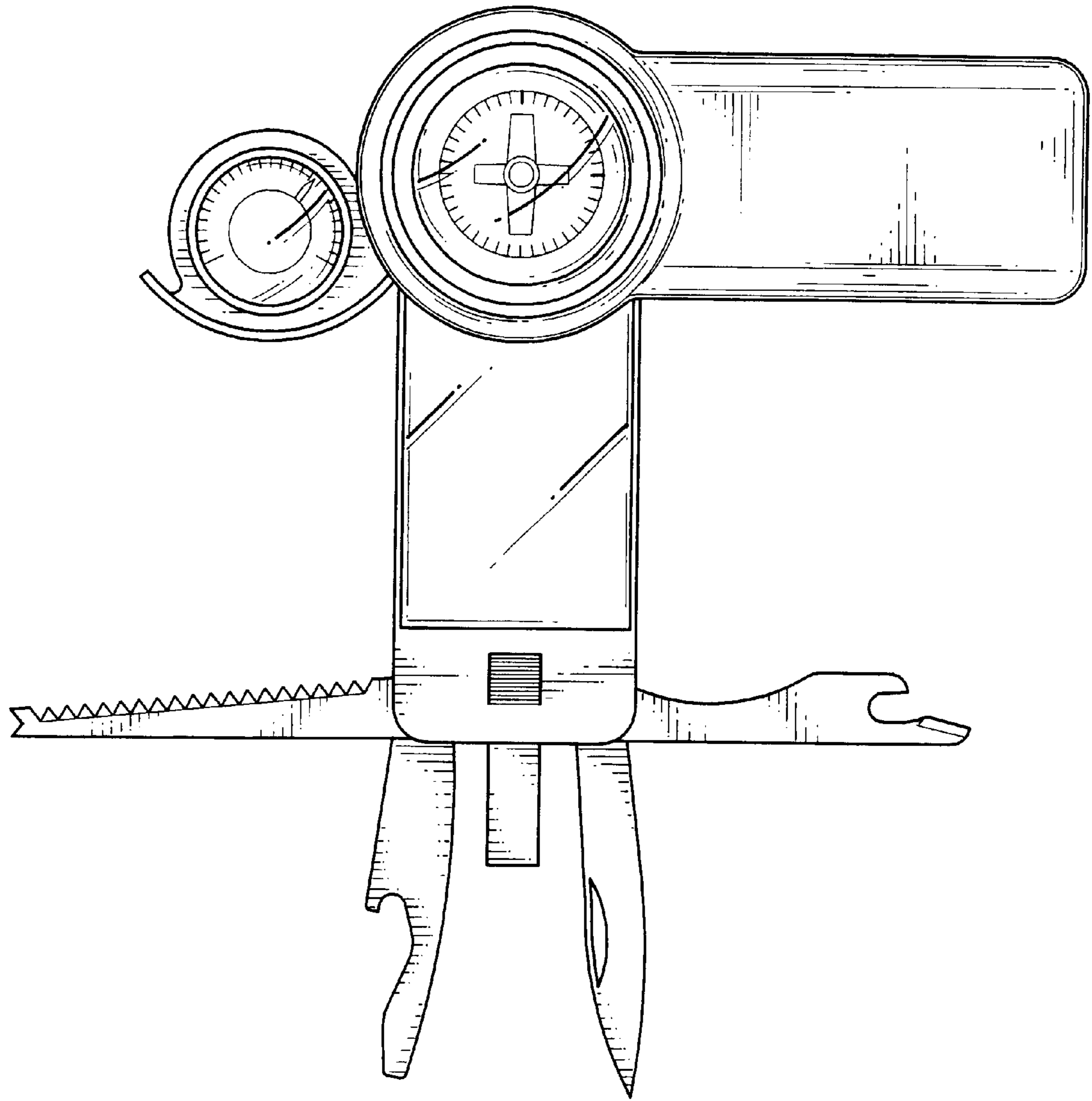


FIG. 2

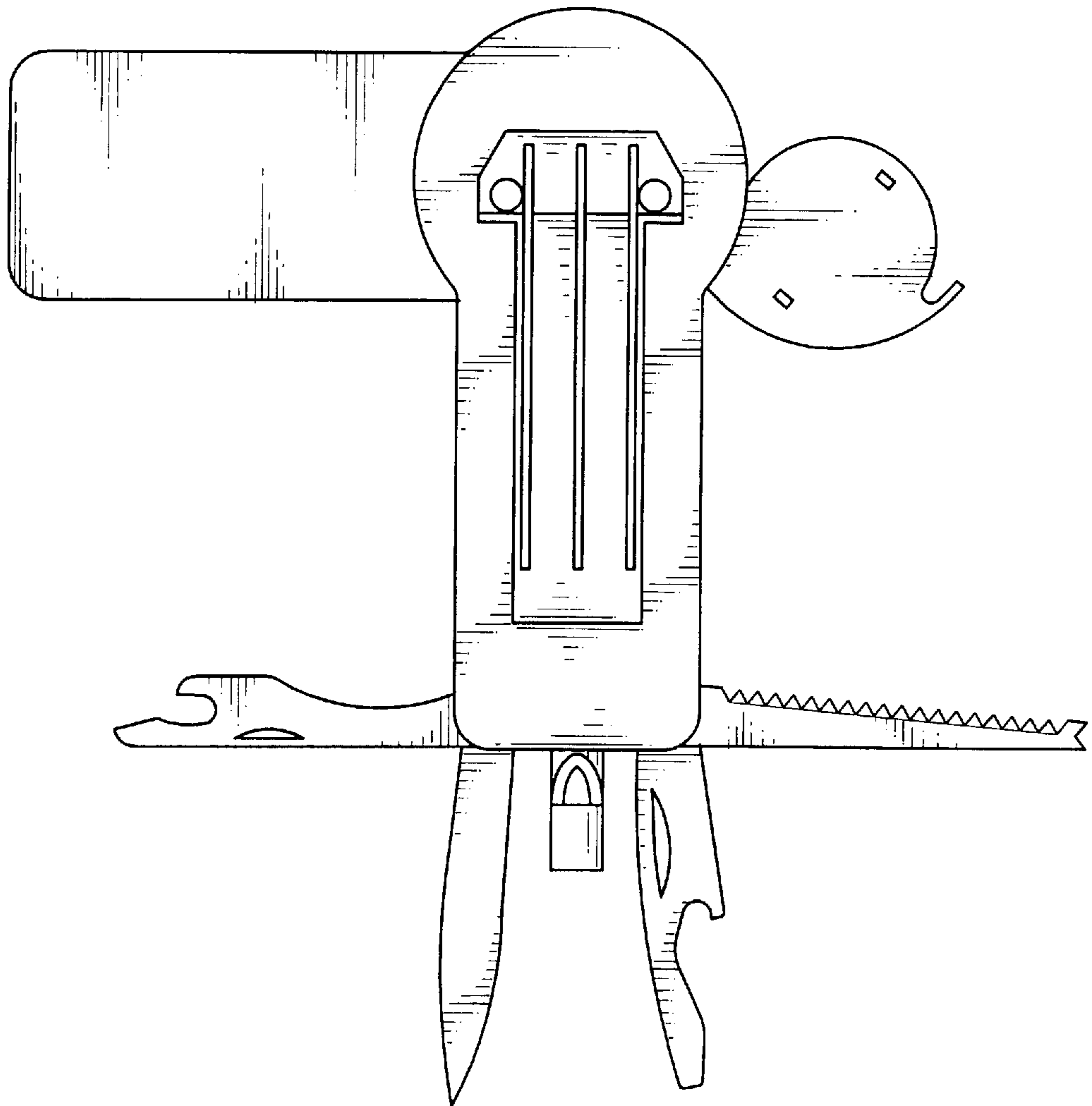


FIG. 3

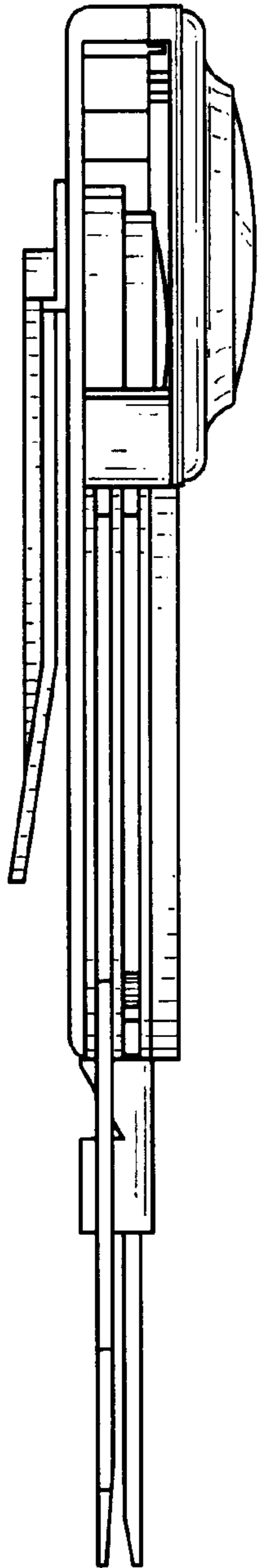


FIG. 4

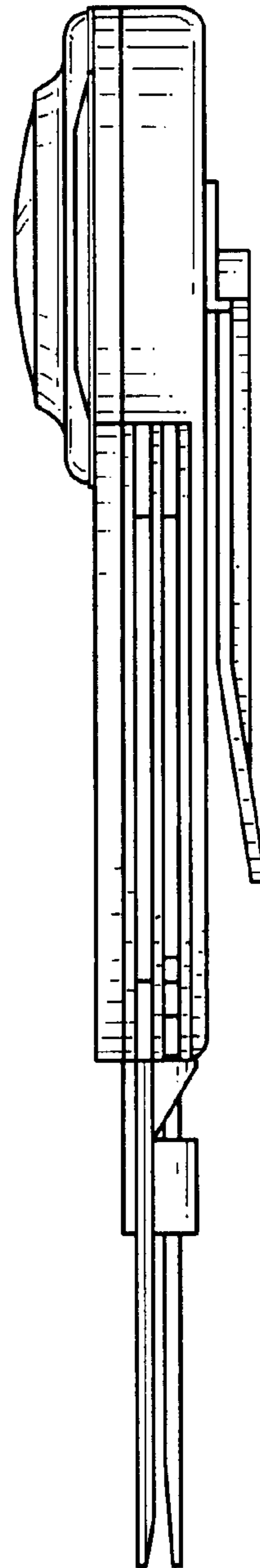


FIG. 5

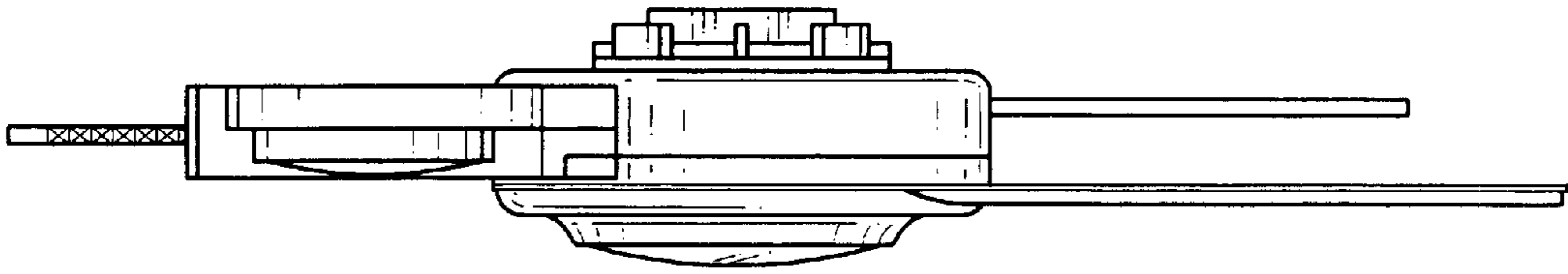


FIG. 6

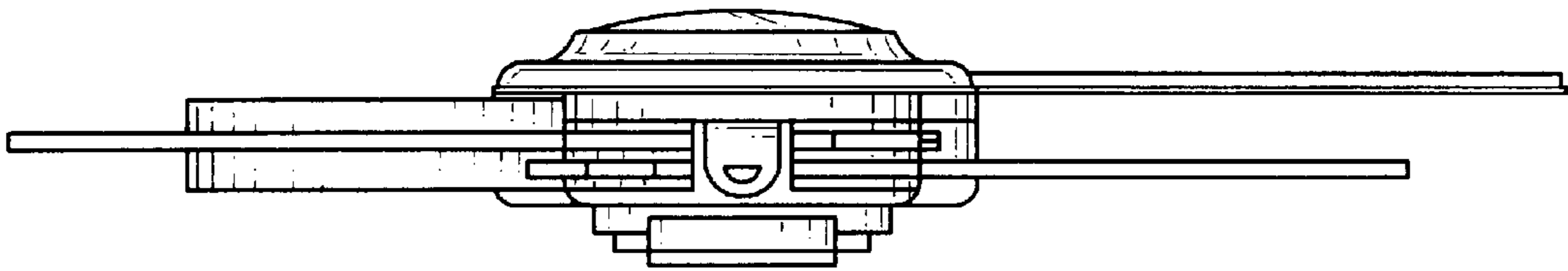


FIG. 7