



US00D477523S

(12) **United States Design Patent**
Malvasio

(10) **Patent No.:** **US D477,523 S**

(45) **Date of Patent:** **** Jul. 22, 2003**

(54) **MULTI-FUNCTION PAINTER'S TOOL**

(76) **Inventor:** **William A. Malvasio**, 2523 N. Lake Dr., #1, Milwaukee, WI (US) 53211

(**) **Term:** **14 Years**

(21) **Appl. No.:** **29/162,569**

(22) **Filed:** **Jun. 19, 2002**

(51) **LOC (7) Cl.** **08-03**

(52) **U.S. Cl.** **D8/105**

(58) **Field of Search** D8/14, 55, 21-23, D8/83, 85, 87, 93-94, 99, 104-105, 107; 7/118, 128, 131, 135; 30/169, 123, 154-155, 186, 191; 81/440

(56) **References Cited**

U.S. PATENT DOCUMENTS

4,658,455	A	*	4/1987	Skillern	7/105
4,967,436	A	*	11/1990	Russell	7/156
D386,372	S	*	11/1997	Weiss	D8/14
D420,882	S	*	2/2000	Majolo et al.	D8/98
6,131,222	A	*	10/2000	Anderson et al.	7/105
D435,154	S	*	12/2000	Garon	D32/42

D450,994	S	*	11/2001	Abbott	D8/105
6,421,860	B1	*	7/2002	Abbott	7/105

* cited by examiner

Primary Examiner—Nelson C. Holtje

(74) *Attorney, Agent, or Firm*—Arthur J. Hansmann

(57) **CLAIM**

The ornamental design for a multi-function painter's tool, as shown and described.

DESCRIPTION

FIG. 1 is a top perspective view of a multi-function painter's tool showing my new design;

FIG. 2 is a right side elevation view thereof, the left side elevation being substantially a mirror image of this right side view;

FIG. 3 is a top plan view thereof;

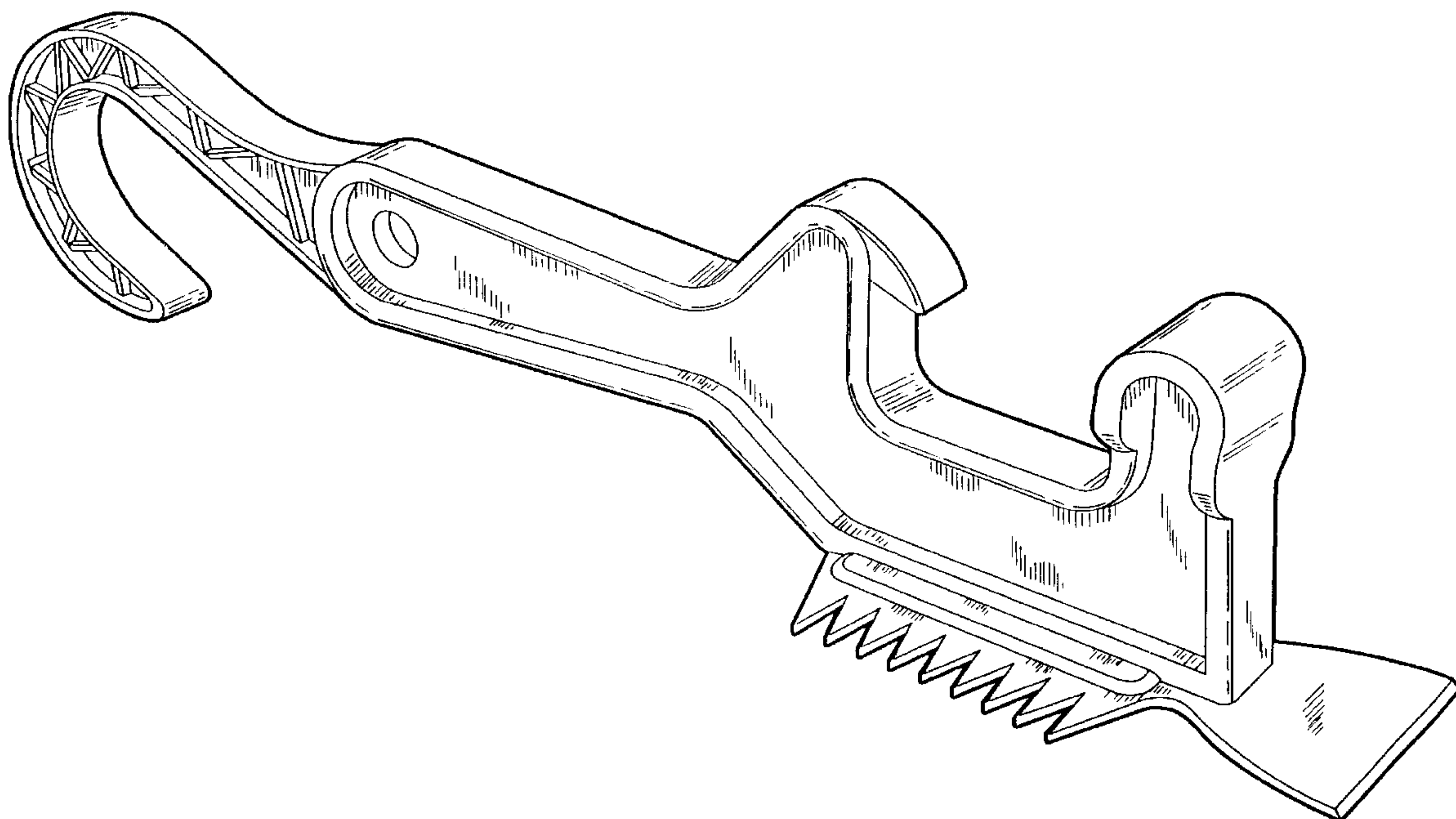
FIG. 4 is a bottom plan view thereof;

FIG. 5 is a right end elevation view thereof;

FIG. 6 is a left end elevation view thereof; and,

FIG. 7 is a section view taken on the plane designated by the line labeled 7-7 of FIG. 3.

1 Claim, 3 Drawing Sheets



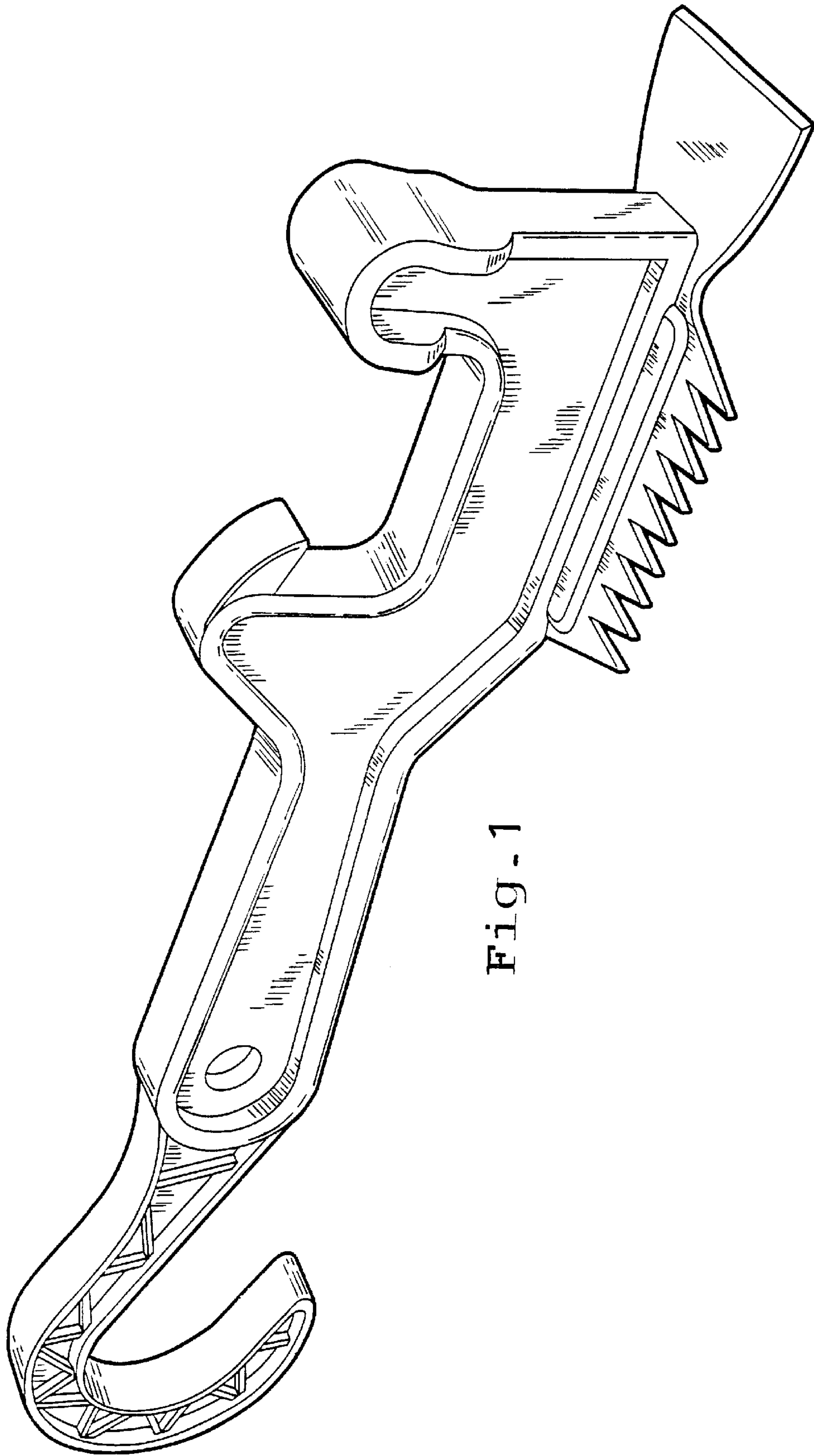


Fig. 1

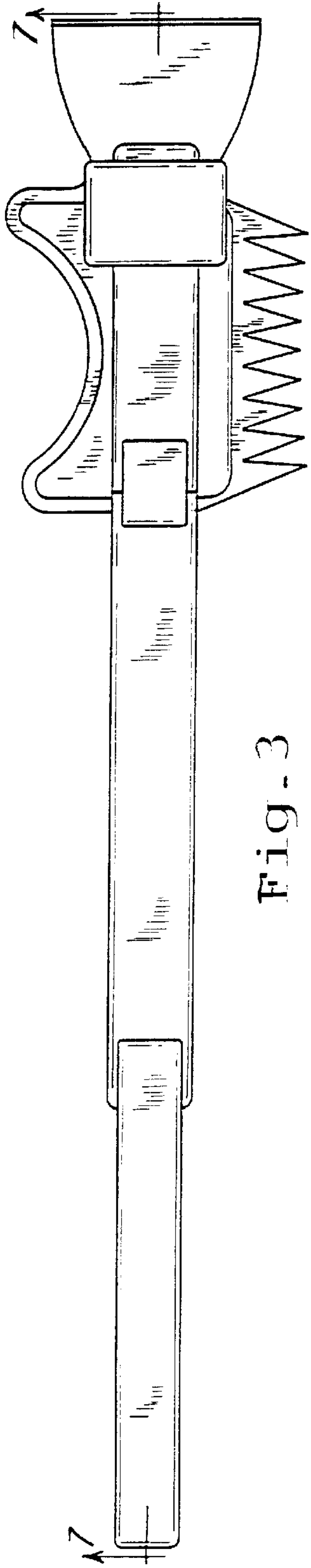


Fig. 3

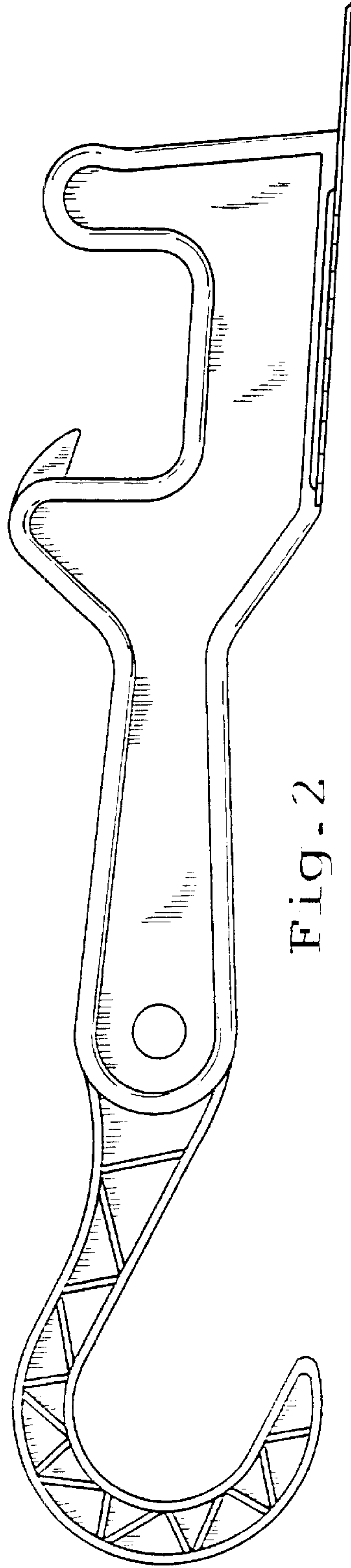


Fig. 2

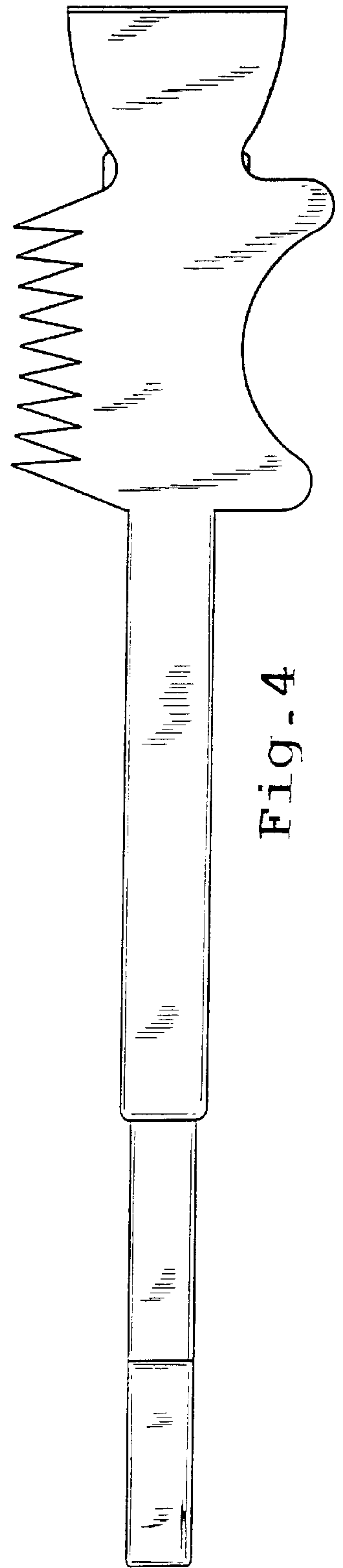


Fig. 4

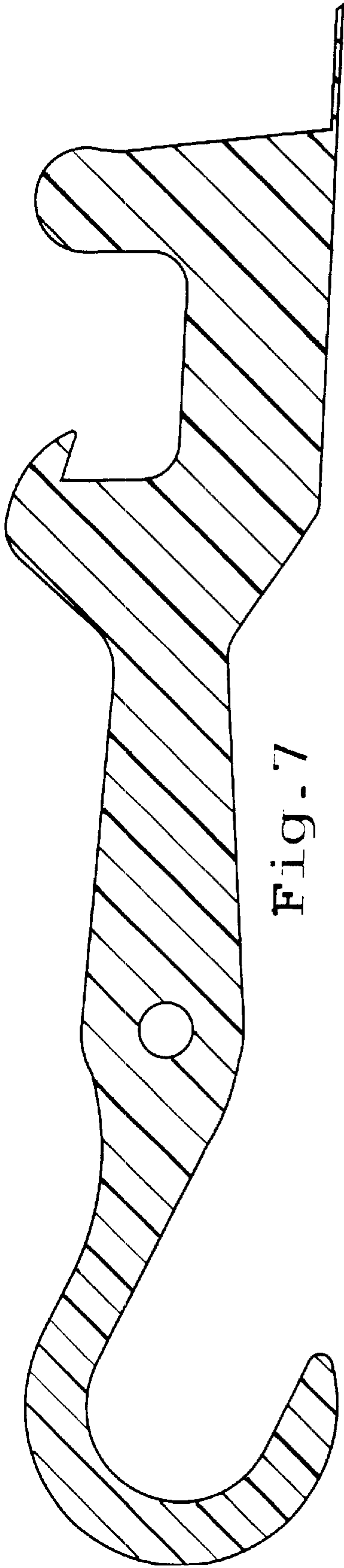


Fig. 7

Fig. 5

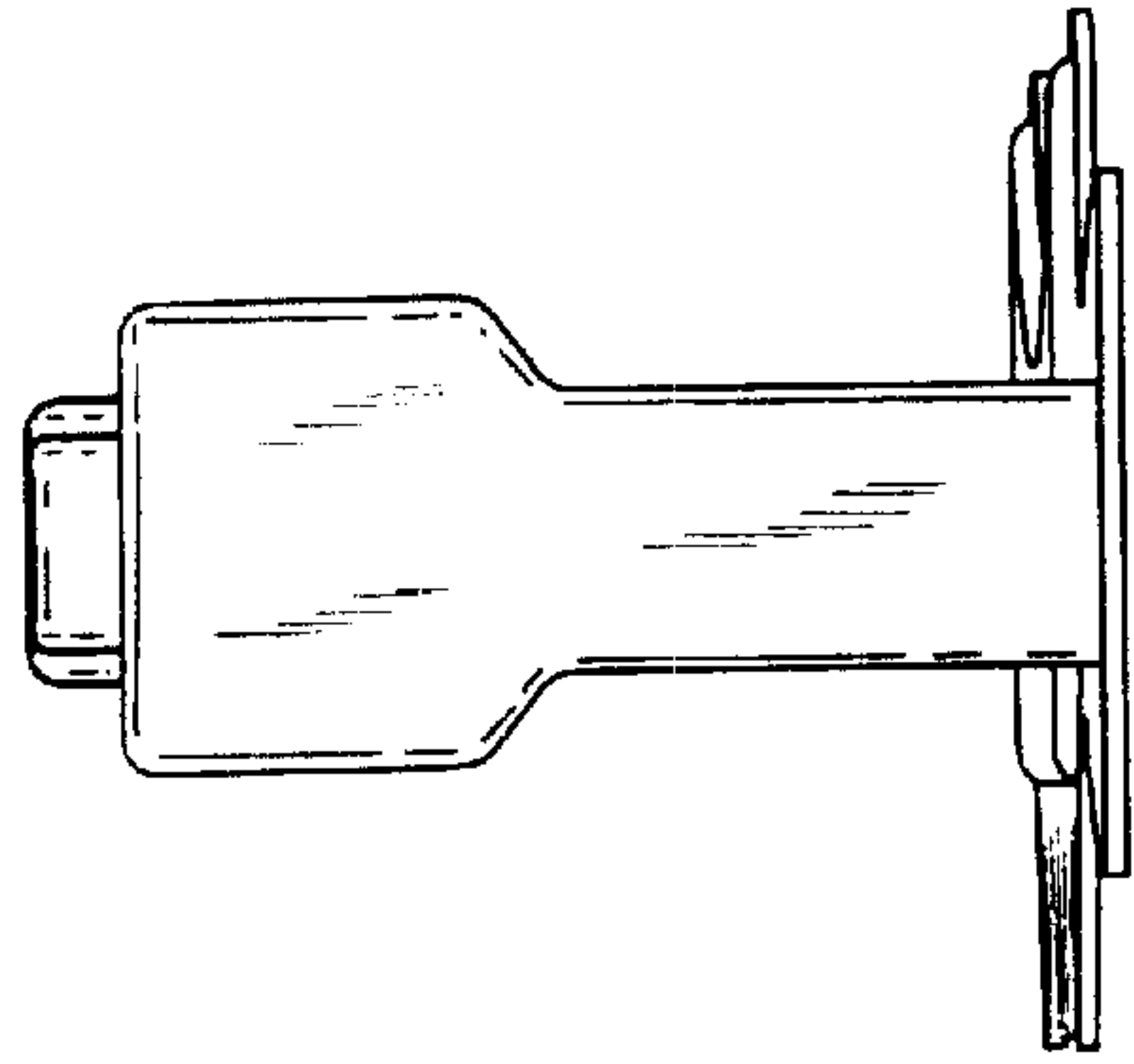
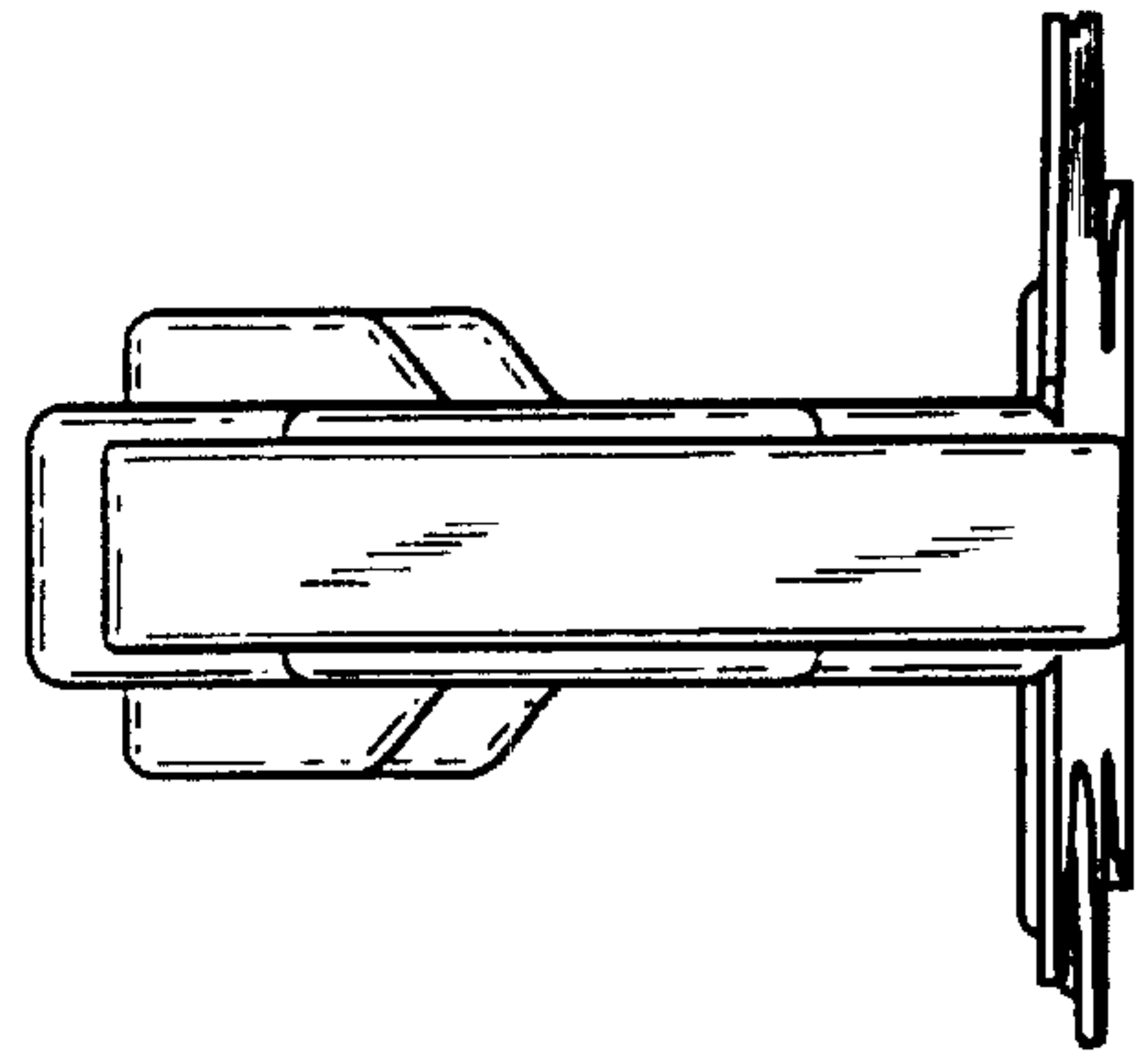


Fig. 6



UNITED STATES PATENT AND TRADEMARK OFFICE
CERTIFICATE OF CORRECTION

PATENT NO. : Des. 477,523 S
DATED : July 22, 2003
INVENTOR(S) : William A. Malvasio

Page 1 of 1

It is certified that error appears in the above-identified patent and that said Letters Patent is hereby corrected as shown below:

Title page,

Item [56], U.S. PATENT DOCUMENTS, add the following:

-- 4,658,455	4/1987	Skillern	7/105
5,069,090	12/1991	Clark	81/3.09
D276,304	11/1984	DiFede	D8/18
D304,992	12/1989	Matthies	D8/40
D308,322	6/1990	Borden	D8/18
D382,453	8/1997	Drinkwater	D8/18
D386,372	11/1997	Weiss	D8/14
D435,154	12/2000	Garon	D32/42
D450,994	11/2001	Abbott	D8/105 --

Signed and Sealed this

Twenty-third Day of December, 2003



JAMES E. ROGAN
Director of the United States Patent and Trademark Office