



US00D477522S

(12) **United States Design Patent**
James

(10) **Patent No.:** **US D477,522 S**

(45) **Date of Patent:** **** Jul. 22, 2003**

(54) **HAND-HELD EDGE DE-BURRER**

(76) **Inventor:** **William R. James**, 2863 County Rd.,
92N, Independence, MN (US) 55359

(**) **Term:** **14 Years**

(21) **Appl. No.:** **29/168,142**

(22) **Filed:** **Sep. 25, 2002**

(51) **LOC (7) Cl.** **08-05**

(52) **U.S. Cl.** **D8/101; D8/90**

(58) **Field of Search** D8/14, 45, 51,
D8/90, 91, 92, 93, 98, 101; 30/172, 287,
279.6, 278, 280, 283; 451/555, 557, 558

(56) **References Cited**

U.S. PATENT DOCUMENTS

3,644,993	A	*	2/1972	Chupp	30/280
3,762,046	A	*	10/1973	Kolomick	30/172
3,766,649	A	*	10/1973	Winbauer	30/287
3,990,147	A	*	11/1976	Gill et al.	30/172
5,054,201	A	*	10/1991	Andrews	30/172
5,251,377	A	*	10/1993	Ho	30/123.5

D369,081	S	*	4/1996	Byers et al.	D8/91
D387,262	S	*	12/1997	Byers et al.	D8/91
D394,596	S	*	5/1998	Byers et al.	D8/91

* cited by examiner

Primary Examiner—Philip S. Hyder

(74) *Attorney, Agent, or Firm*—Gerald E. Helget; Nelson R. Capes; Briggs and Morgan

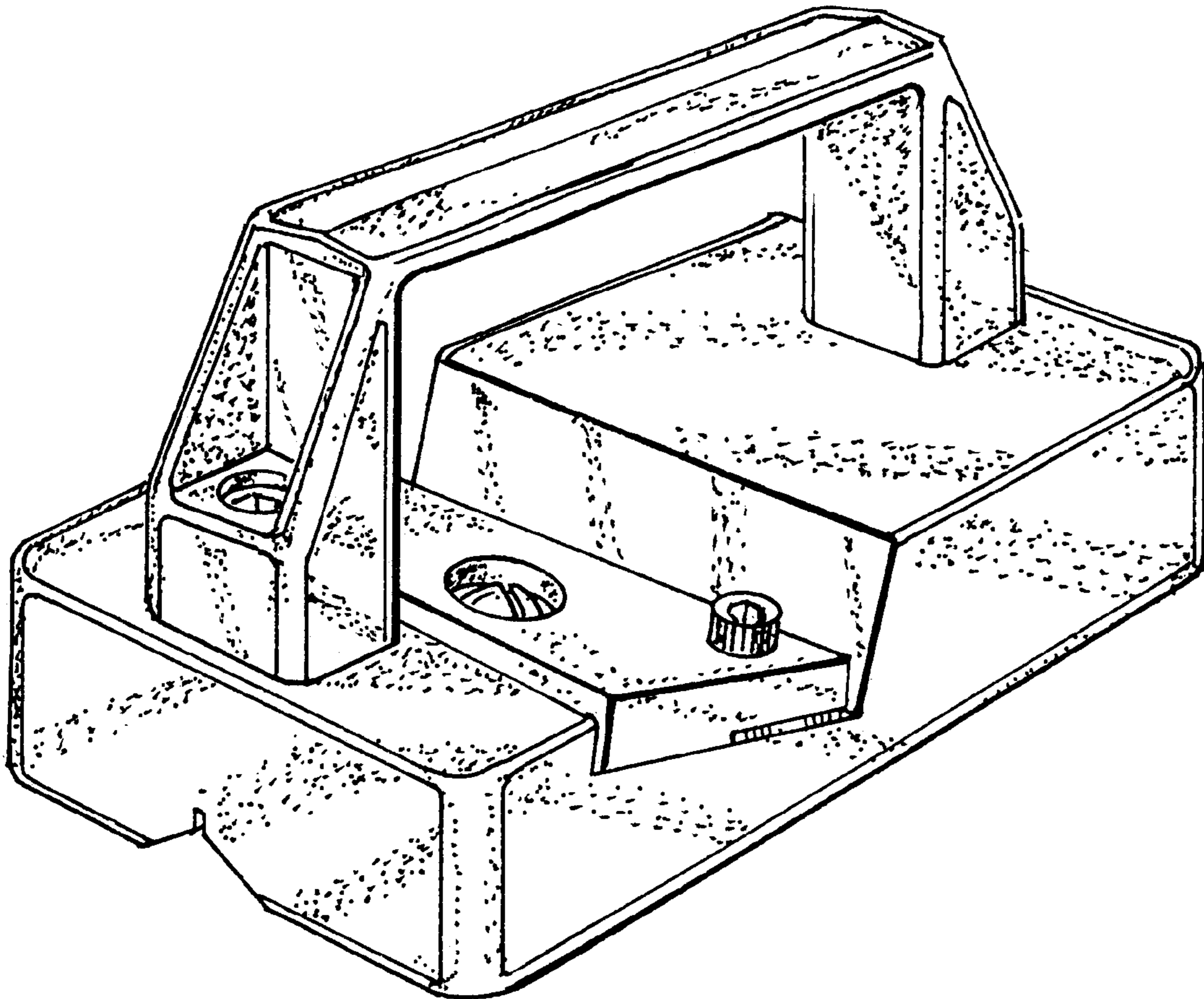
(57) **CLAIM**

The ornamental design for a hand-held edge de-burrer, as shown and described.

DESCRIPTION

FIG. 1 is a top perspective view showing my new design for a hand-held edge de-burrer;
FIG. 2 is a left side elevational view thereof, wherein the right side elevational view is a mirror image thereof;
FIG. 3 is a top plan view;
FIG. 4 is a bottom plan view; and,
FIG. 5 is a front elevational view thereof, wherein the rear elevational view is a mirror image thereof.

1 Claim, 2 Drawing Sheets



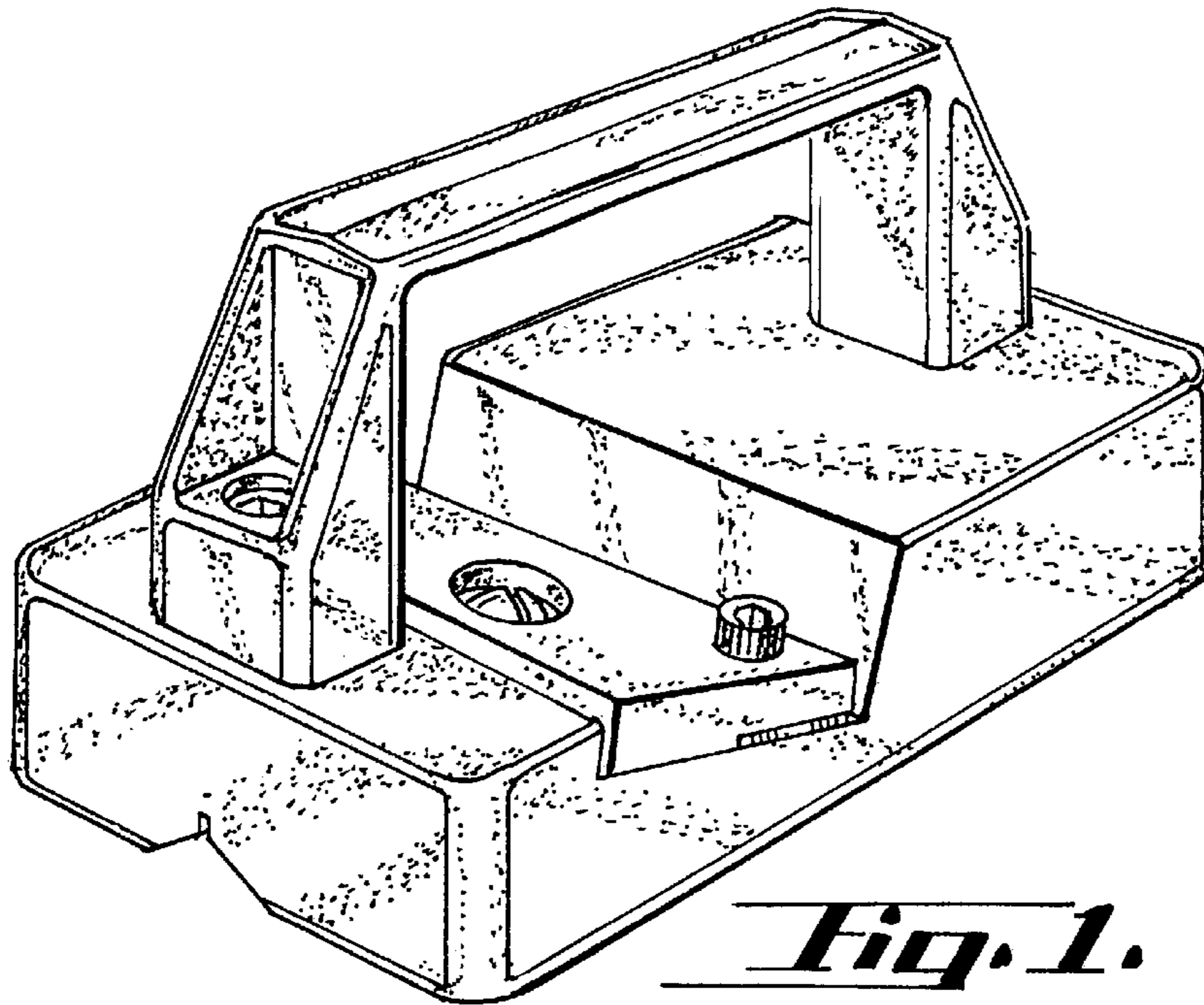


Fig. 1.

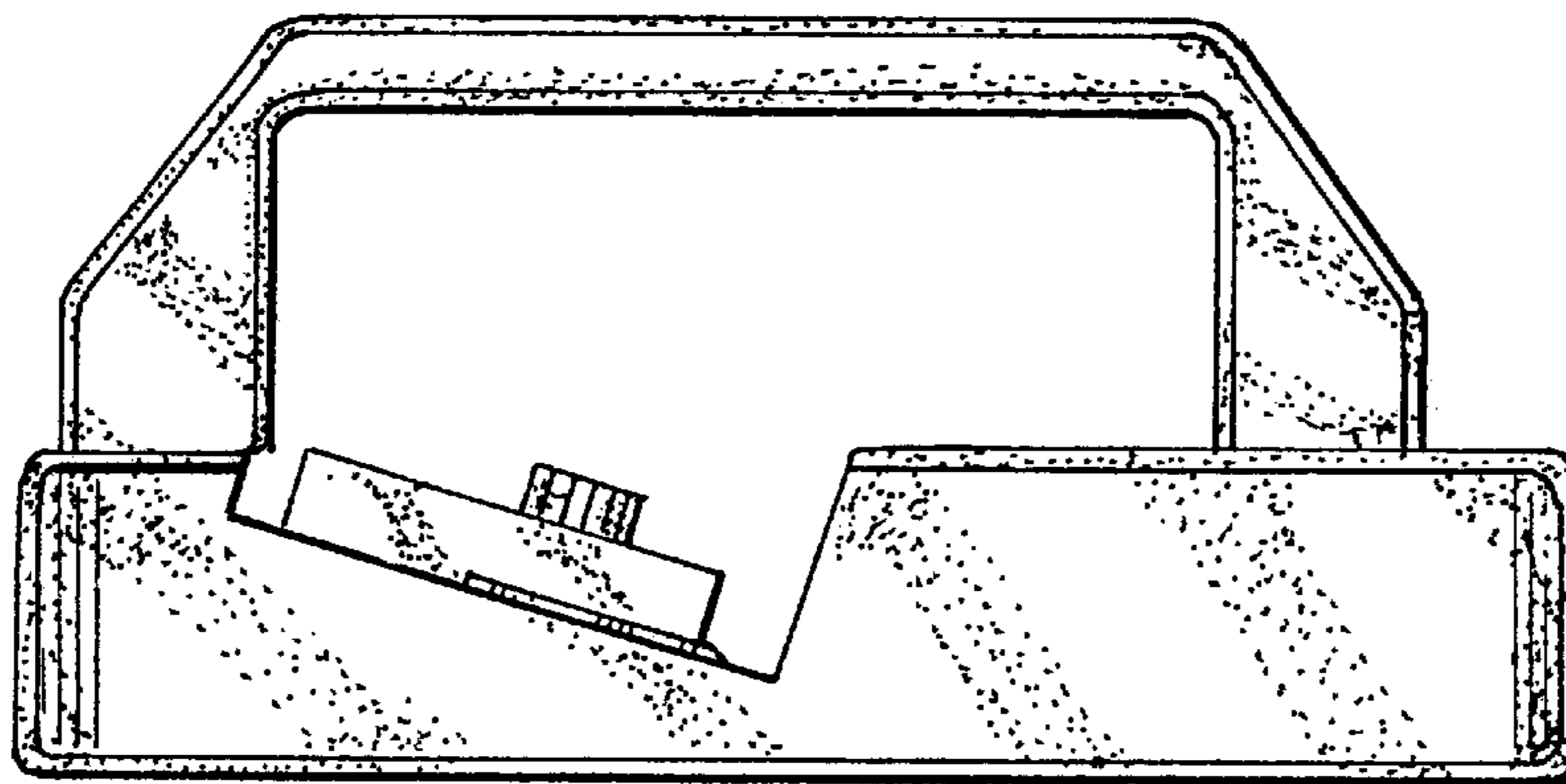


Fig. 2.

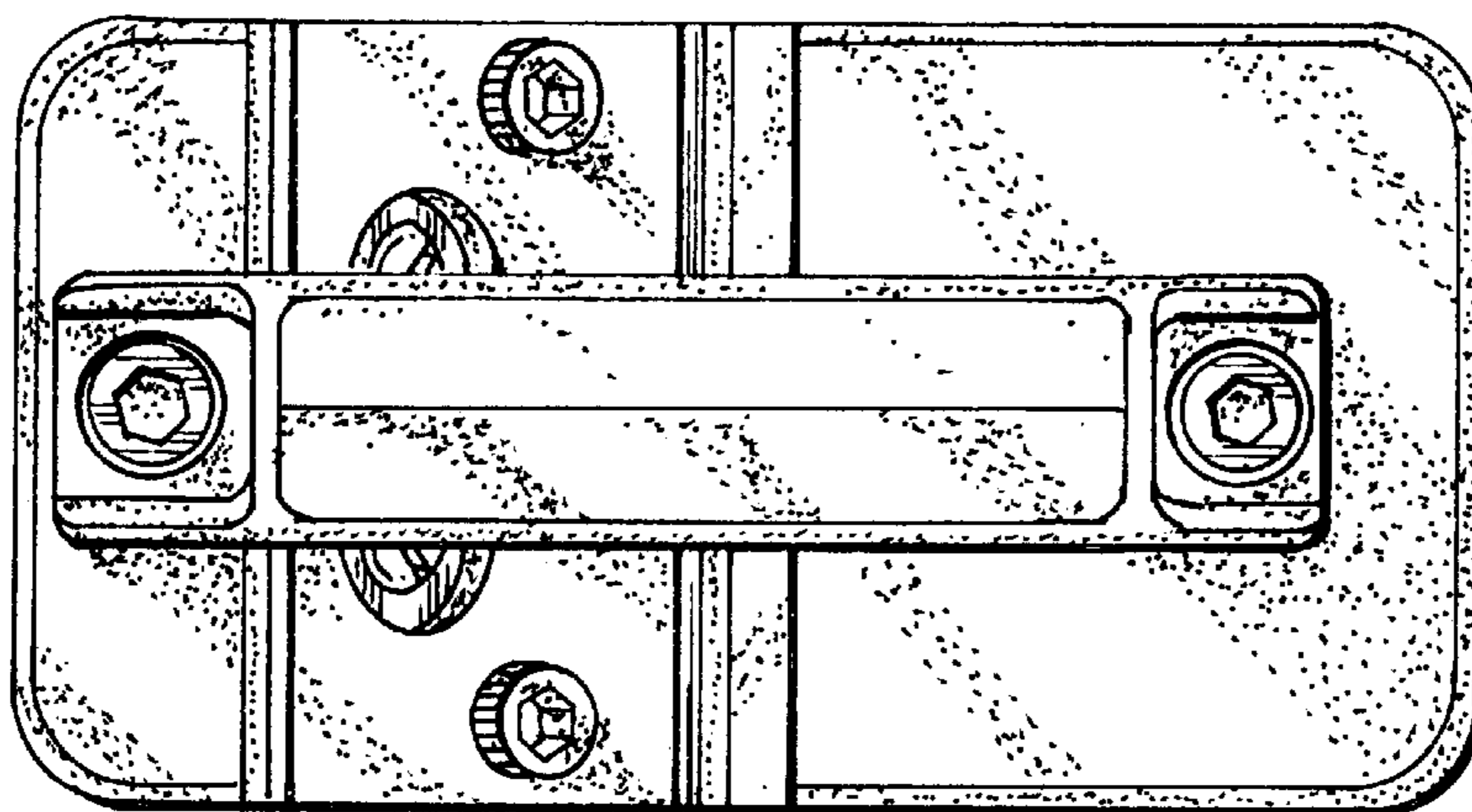


Fig. 3.

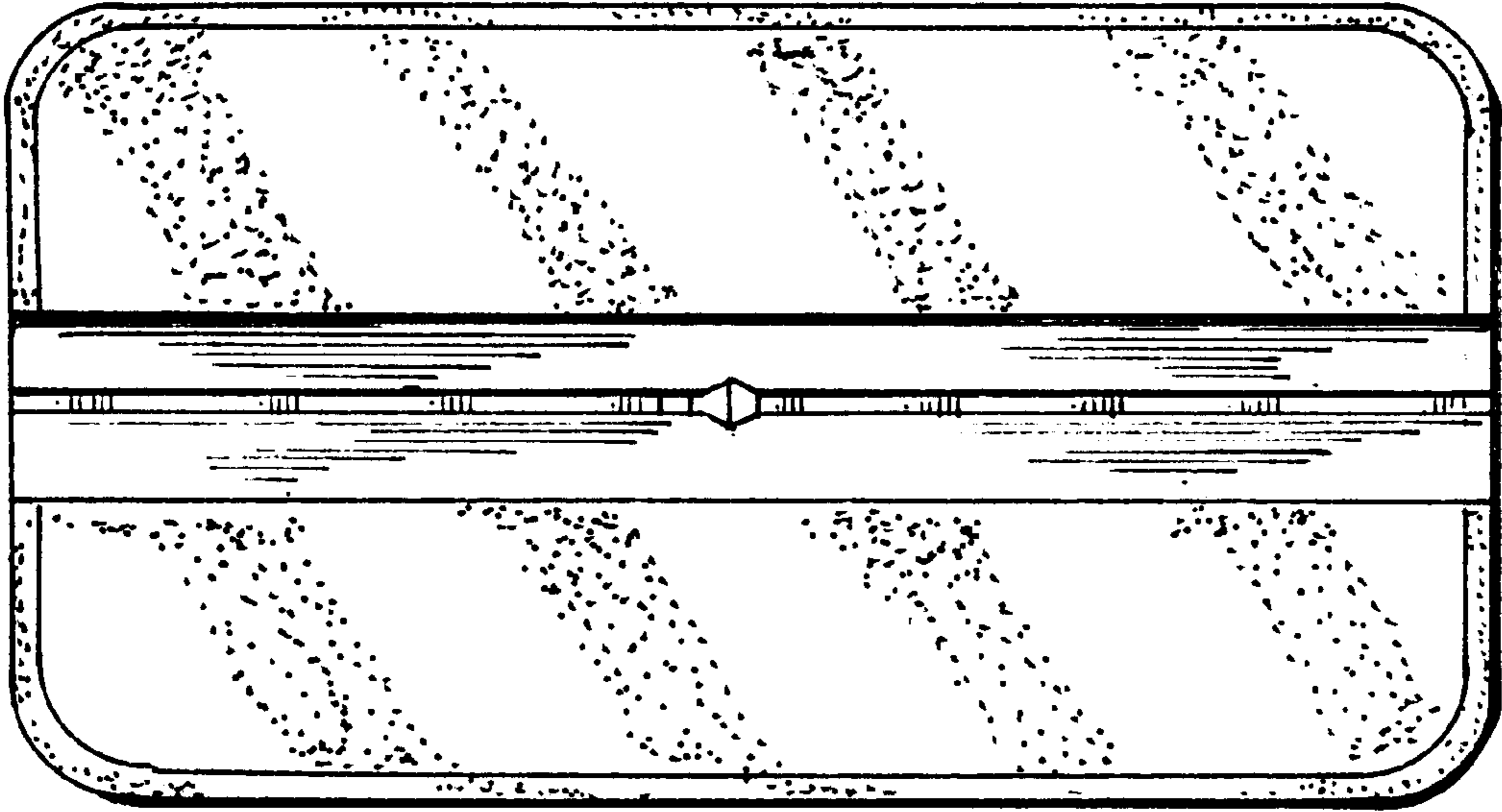


Fig. 4.

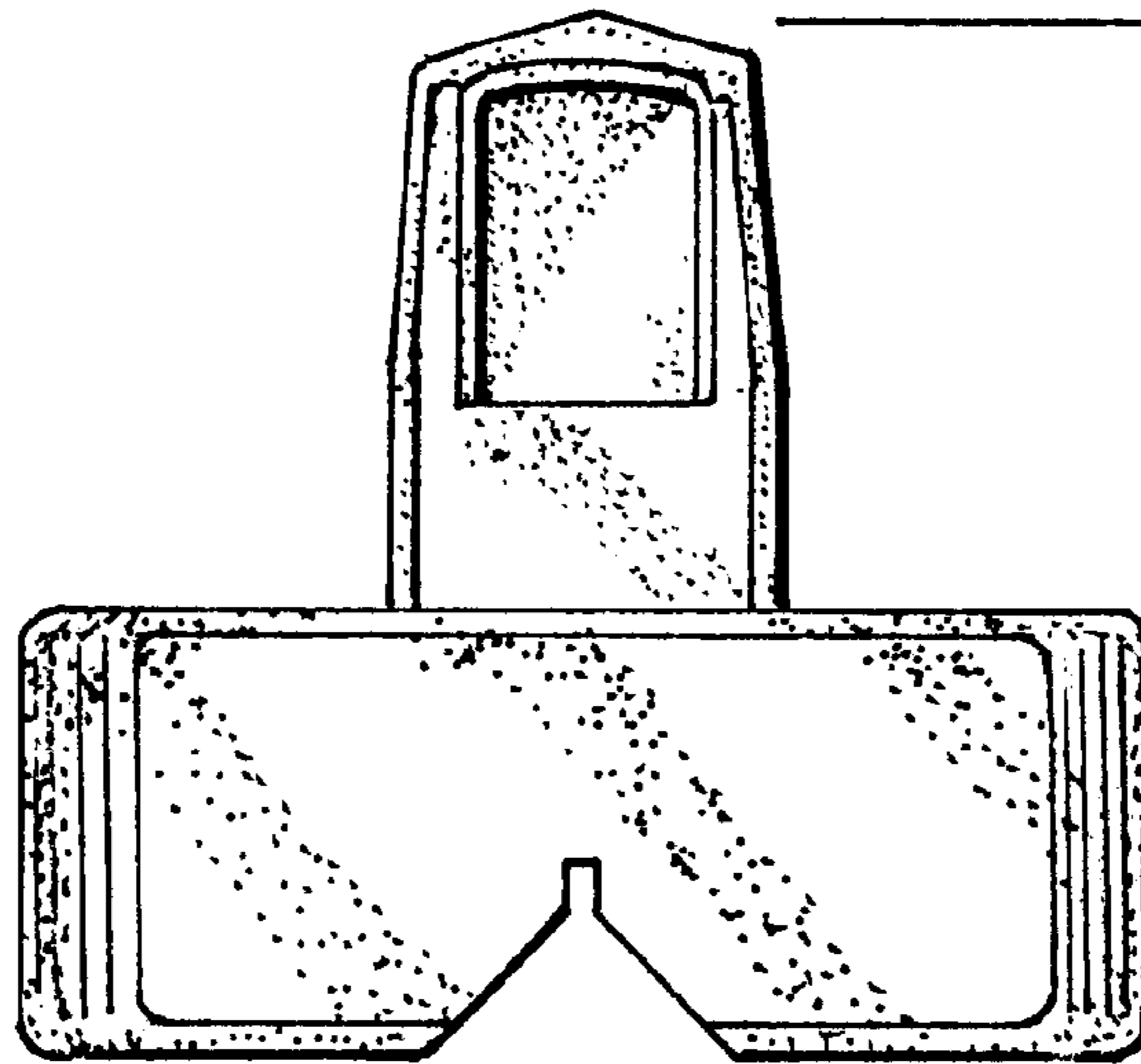


Fig. 5.