



US00D477521S

(12) **United States Design Patent**
Tarpill et al.

(10) **Patent No.:** **US D477,521 S**

(45) **Date of Patent:** **** Jul. 22, 2003**

(54) **ADJUSTABLE SEMI-CON SHIELD SHAVING TOOL**

5,713,132 A * 2/1998 Tarpill 30/91.2
D437,765 S * 2/2001 Tarpill D8/98
D437,766 S * 2/2001 Tarpill D8/98

(75) Inventors: **Andrew J. Tarpill**, East Haddam, CT (US); **Tadeusz Zagula**, Hartford, CT (US)

* cited by examiner

Primary Examiner—Philip S. Hyder

(73) Assignee: **Capewell Components Company, LLC**, Cromwell, CT (US)

(74) *Attorney, Agent, or Firm*—DeLio & Peterson, LLC

(**) Term: **14 Years**

(57) **CLAIM**

We claim the ornamental design for an adjustable semi-con shield shaving tool, as shown and described herein.

(21) Appl. No.: **29/170,094**

DESCRIPTION

(22) Filed: **Oct. 30, 2002**

(51) **LOC (7) Cl.** **08-03**

FIG. 1 is a perspective view of an adjustable semi-con shield shaving tool in accordance with the present invention.

(52) **U.S. Cl.** **D8/98; D8/51**

FIG. 2 is a right side elevational view of an adjustable semi-con shield shaving tool as seen in FIG. 1.

(58) **Field of Search** D8/98, 51, 52; 30/90.1, 90.2, 90.3, 90.4, 90.5, 90.6, 90.7, 90.8, 90.9, 91.1, 91.2; 81/9.4, 9.42, 9.43

FIG. 3 is a left side elevational view of an adjustable semi-con shield shaving tool as seen in FIG. 1.

(56) **References Cited**

FIG. 4 is a front side elevational view of an adjustable semi-con shield shaving tool as seen in FIG. 1.

U.S. PATENT DOCUMENTS

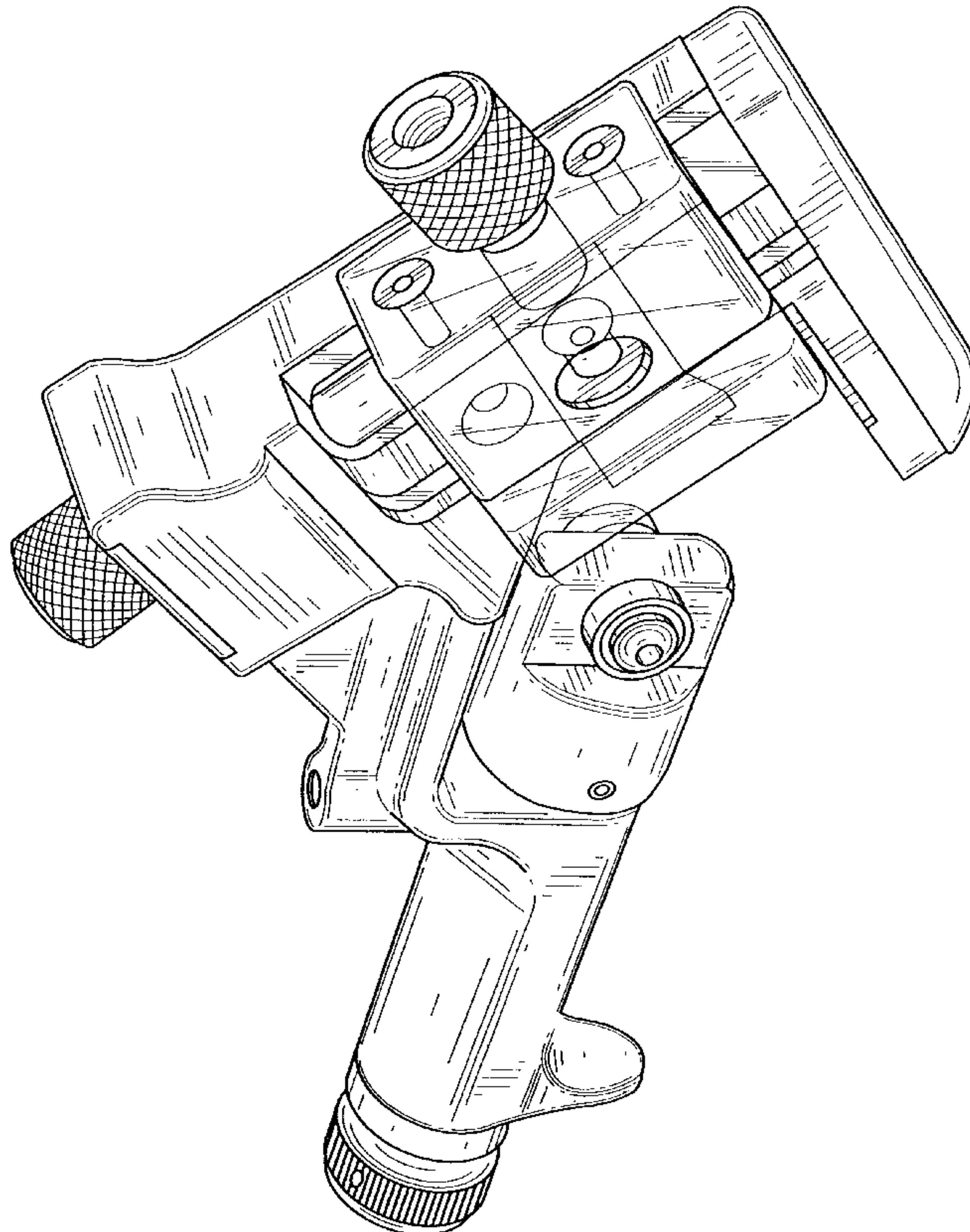
FIG. 5 is a back side elevational view of an adjustable semi-con shield shaving tool as seen in FIG. 1.

3,535,785 A	10/1970	Matthews	
3,572,189 A	3/1971	Matthews	
4,028,800 A	6/1977	Matthews	30/90.1
D301,970 S	7/1989	Matthews	D8/98
4,945,788 A	8/1990	Matthews	81/9.4
4,955,137 A	9/1990	Matthews	30/90.1
5,206,996 A *	5/1993	McDaniel	30/91.2

FIG. 6 is top plan view of an adjustable semi-con shield shaving tool as seen in FIG. 1; and,

FIG. 7 is bottom plan view of an adjustable semi-con shield shaving tool as seen in FIG. 1.

1 Claim, 6 Drawing Sheets



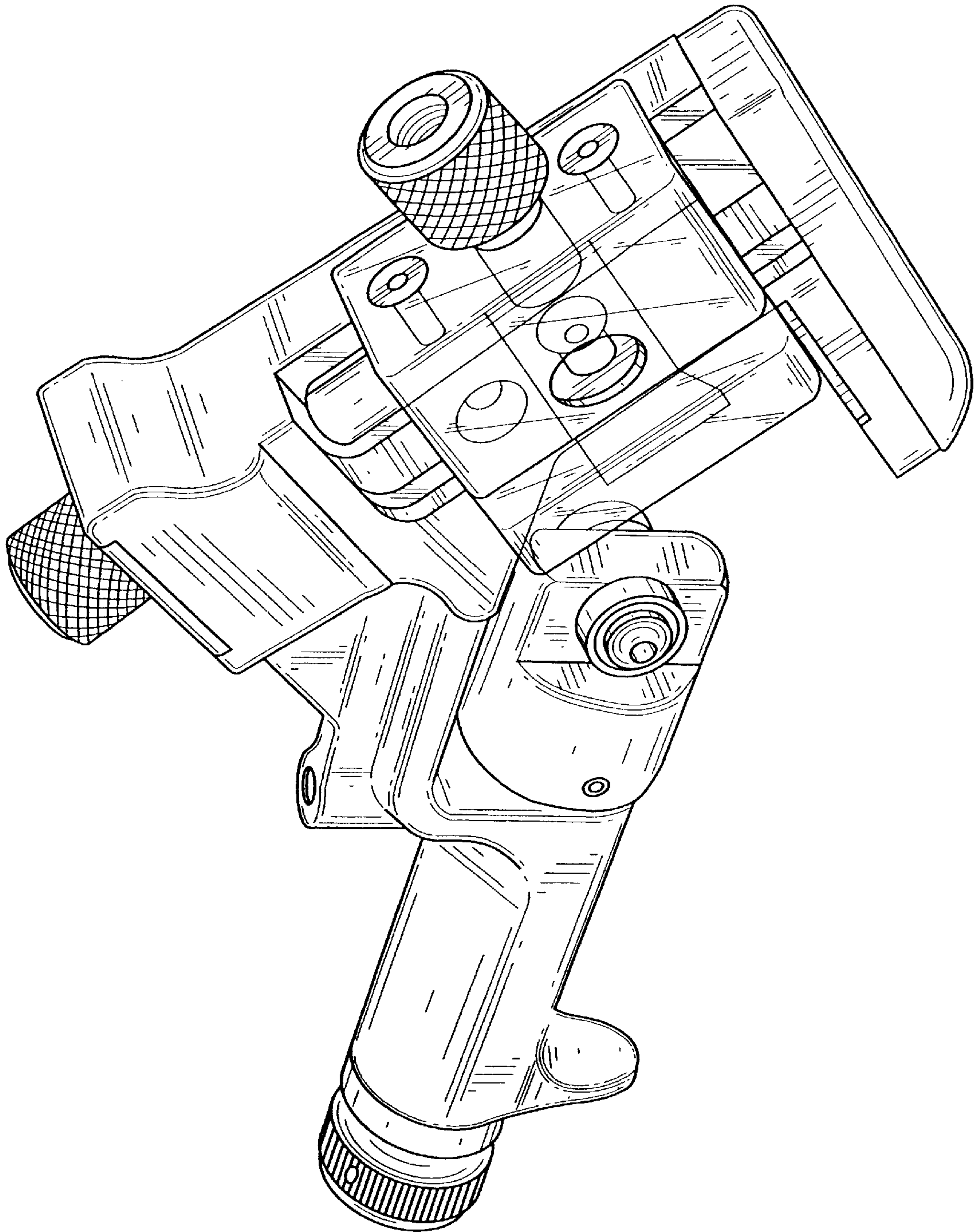


FIG. 1

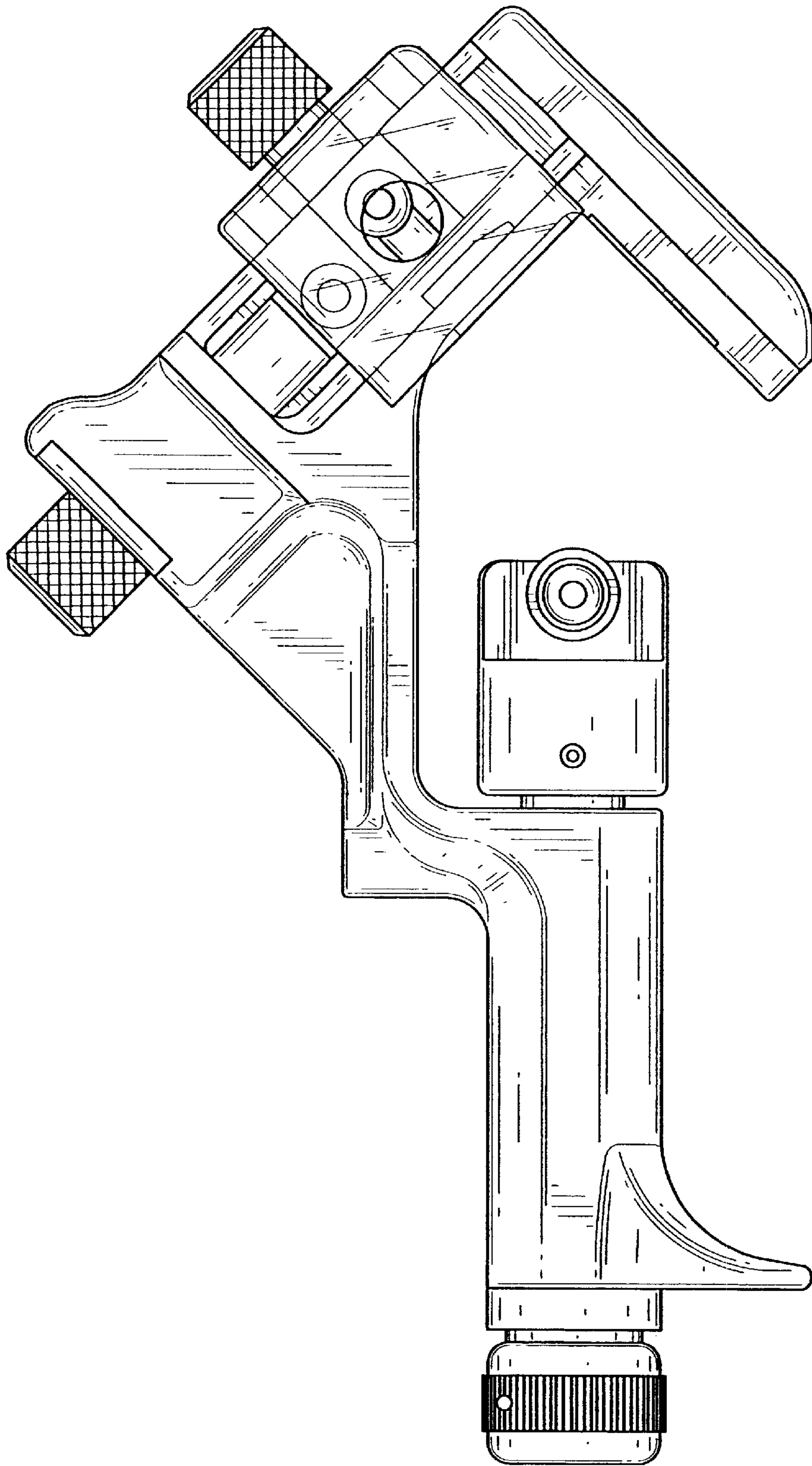


FIG. 2

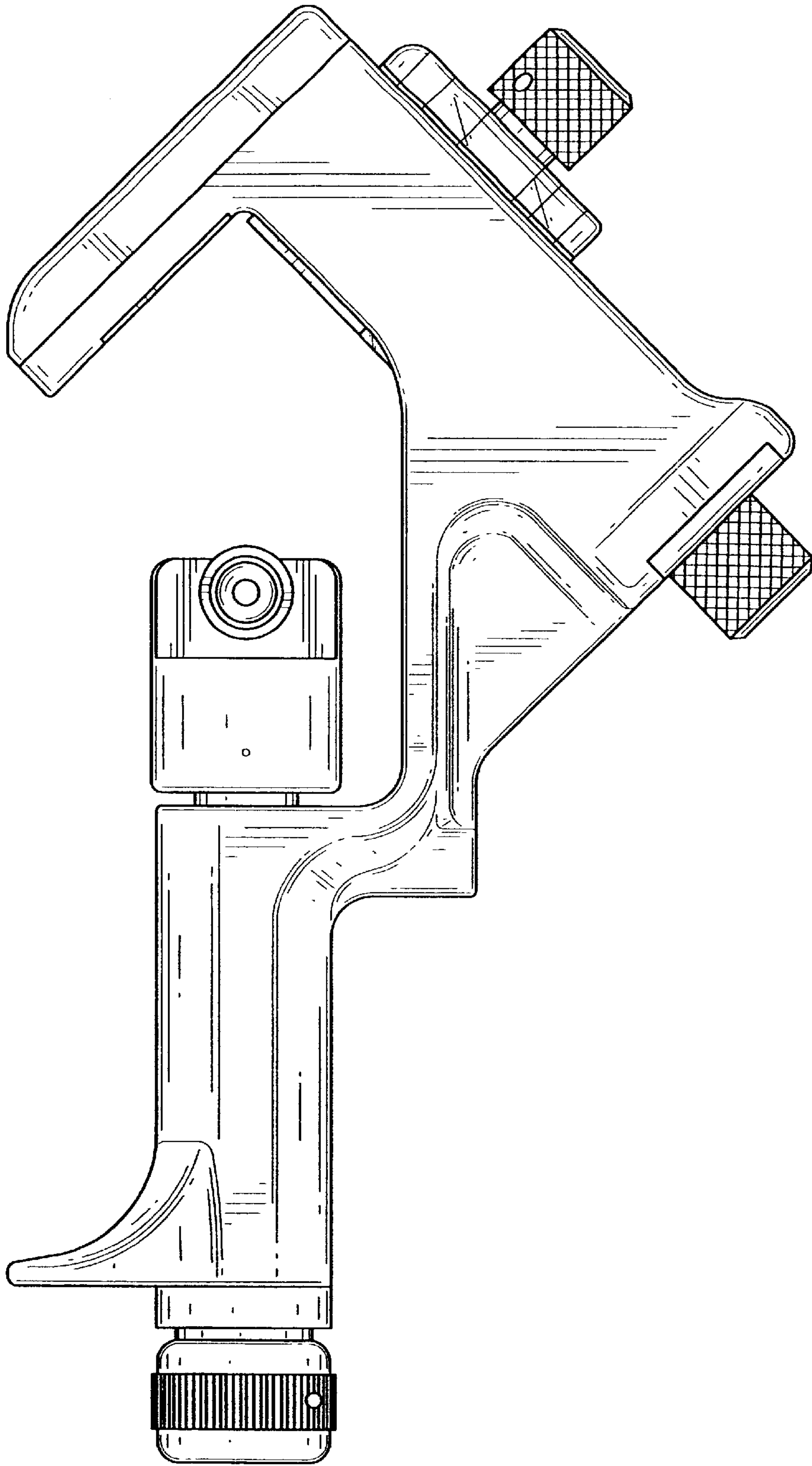


FIG. 3

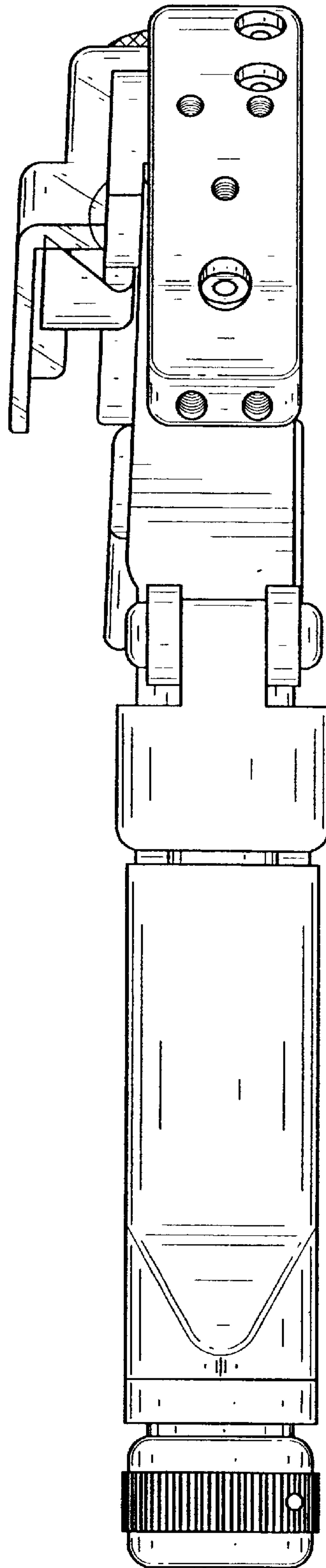


FIG. 4

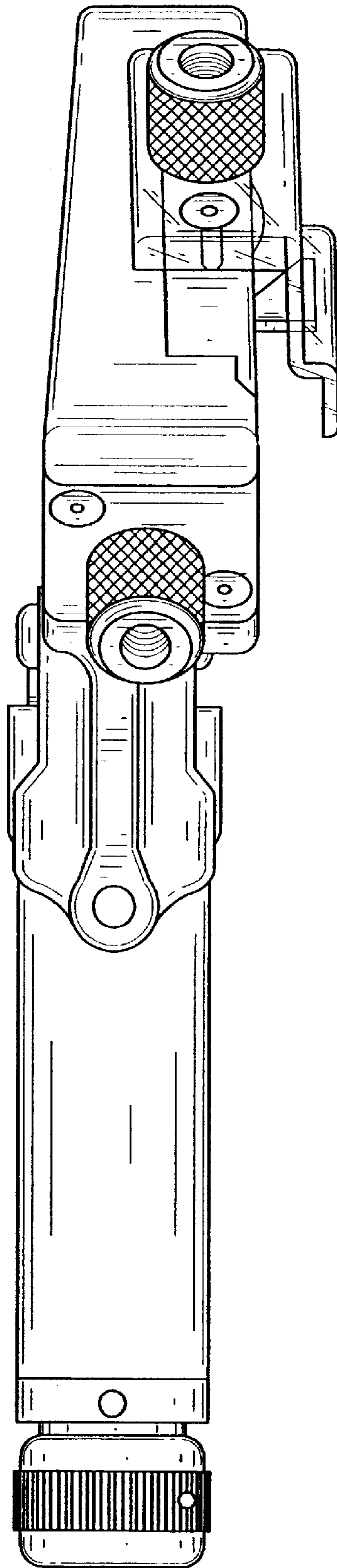


FIG. 5

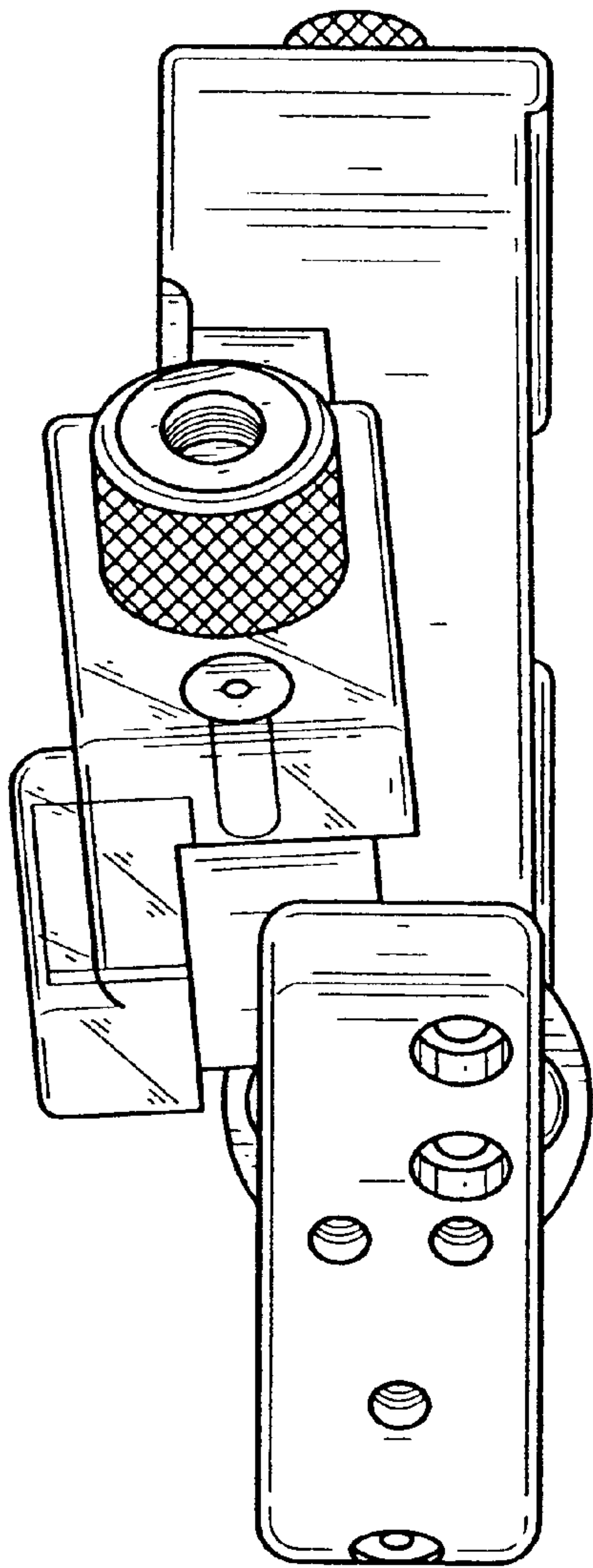


FIG. 6

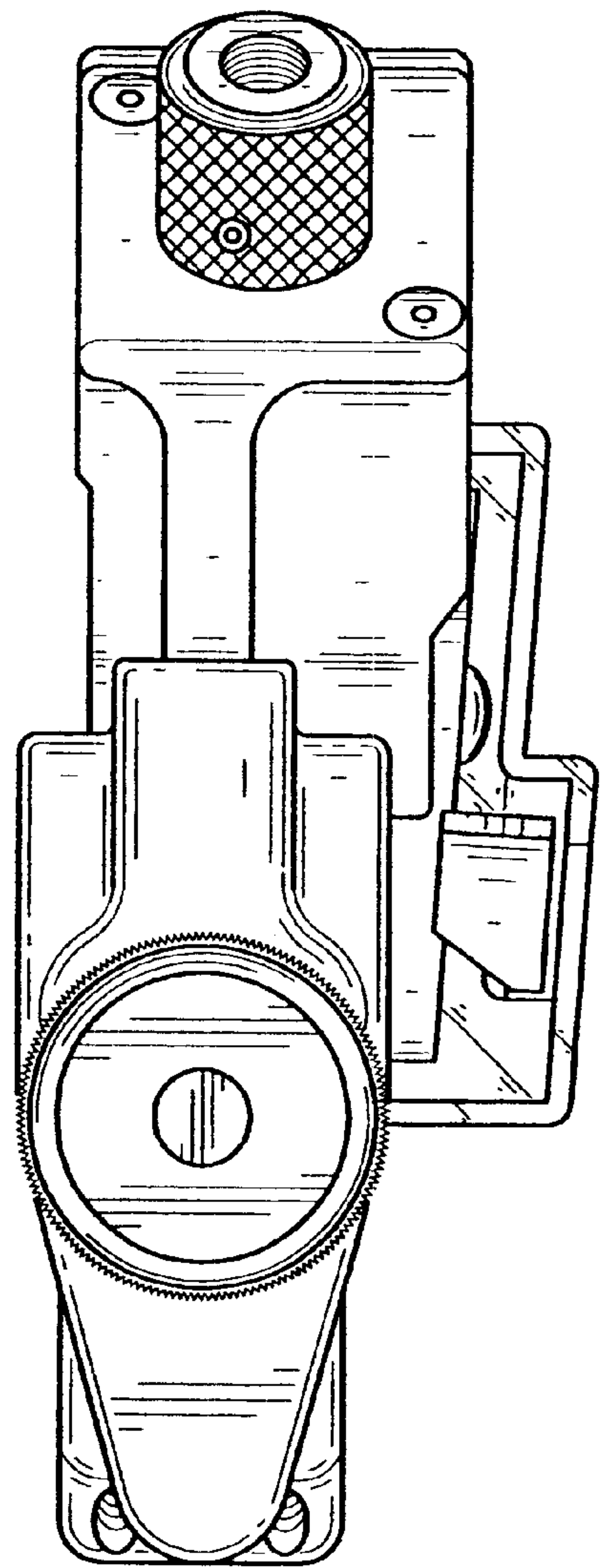


FIG. 7