



US00D477518S

(12) **United States Design Patent**
Hu

(10) **Patent No.:** **US D477,518 S**

(45) **Date of Patent:** **** Jul. 22, 2003**

(54) **HANDLE OF PRECISION SCREWDRIVER**

D419,847 S * 2/2000 Chen D8/83
D432,382 S * 10/2000 Hsu D8/82
D440,479 S * 4/2001 Hsiao D8/82

(76) Inventor: **Wen-Gong Hu**, No. 9, Alley 2, Lane
296, Peng Yi Rd., Taiping City,
Taichung (TW)

* cited by examiner

(**) Term: **14 Years**

Primary Examiner—Philip S. Hyder
(74) *Attorney, Agent, or Firm*—Rosenberg, Klein & Lee

(21) Appl. No.: **29/170,434**

(57) **CLAIM**

(22) Filed: **Nov. 7, 2002**

The ornamental design for a handle of precision screwdriver,
as shown and described.

(51) **LOC (7) Cl.** **08-04**

DESCRIPTION

(52) **U.S. Cl.** **D8/83; D8/107**

(58) **Field of Search** D8/82, 83, 84,
D8/85, 86, 87, 107; 81/177.1, 436, 437,
438, 489; 16/110.1

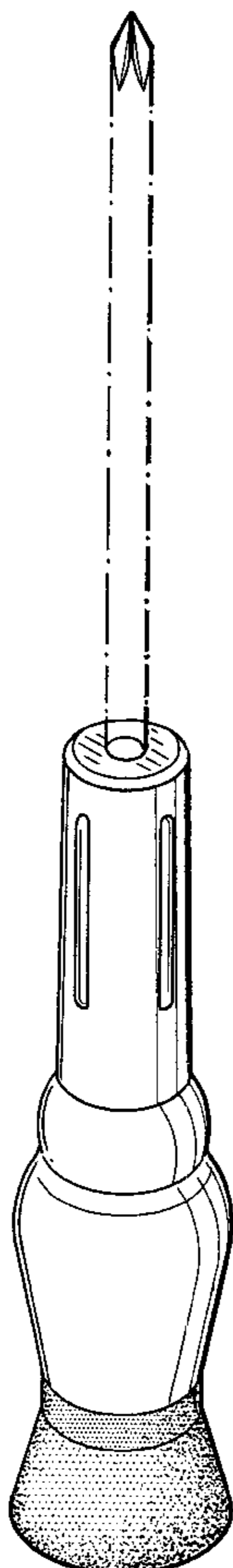
FIG. 1 is a perspective view of a handle of precision
screwdriver showing my new design;
FIG. 2 is a front elevational view thereof; with the rear side
being a mirror image of that shown;
FIG. 3 is a left side elevational view thereof; with the right
side being a mirror image of that shown;
FIG. 4 is a top side elevational view thereof; and
FIG. 5 is a bottom side elevational view thereof; and,
FIG. 6 is a perspective view thereof, wherein the broken line
showing of the blade is for illustrative purposes only and
forms no part of the claimed design.

(56) **References Cited**

U.S. PATENT DOCUMENTS

D334,128 S * 3/1993 Gomas D8/83
D335,074 S * 4/1993 Hahn D8/83
D338,385 S * 8/1993 Shu D8/83
D376,528 S * 12/1996 Krapowicz D8/82
D379,750 S * 6/1997 Thompson et al. D8/83
D393,582 S * 4/1998 Amtenbrink et al. D8/82
D413,782 S * 9/1999 Krapowicz D8/82

1 Claim, 4 Drawing Sheets



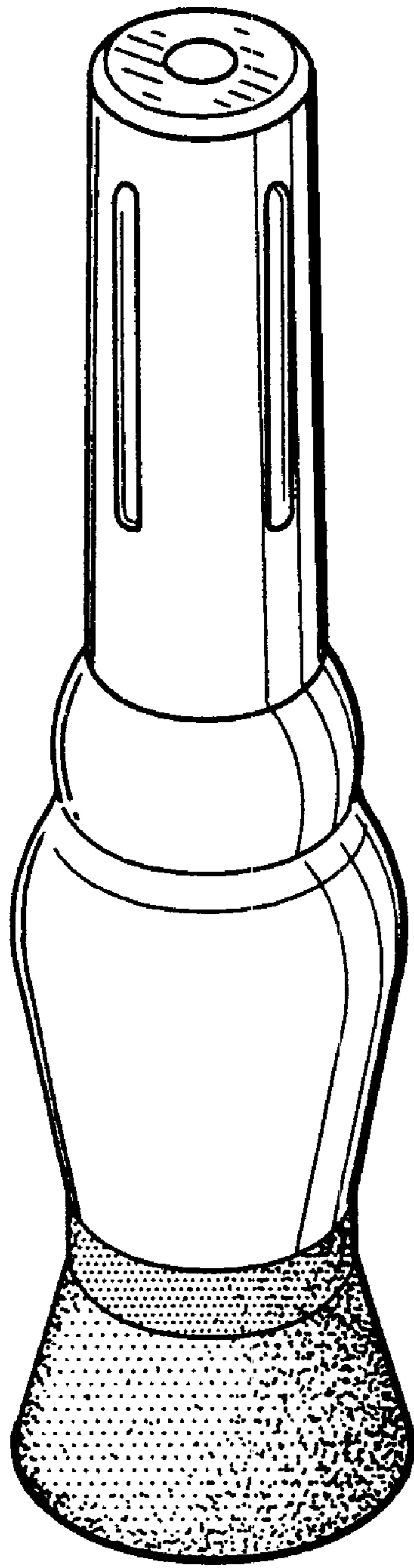


FIG. 1

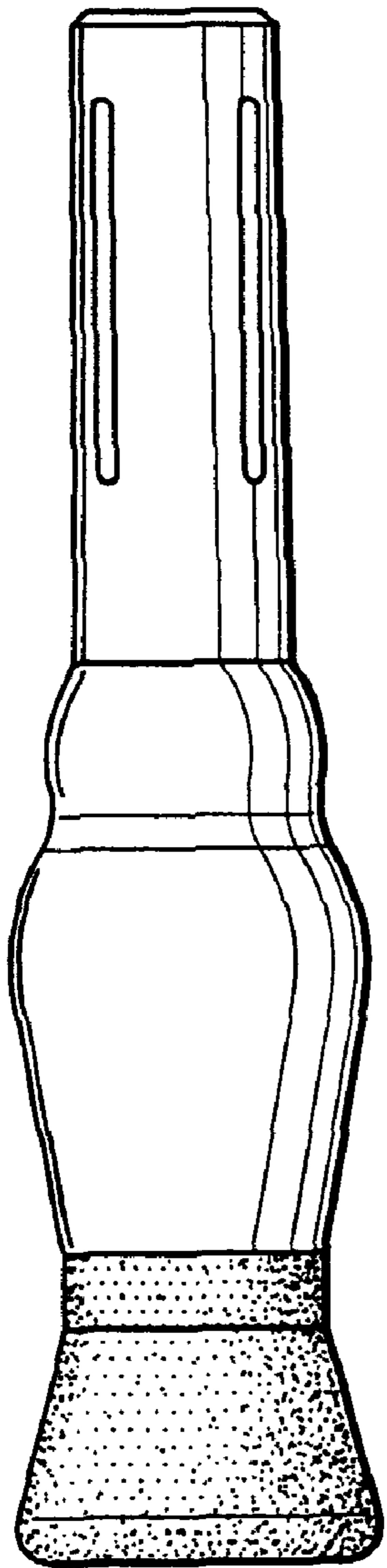


FIG. 2

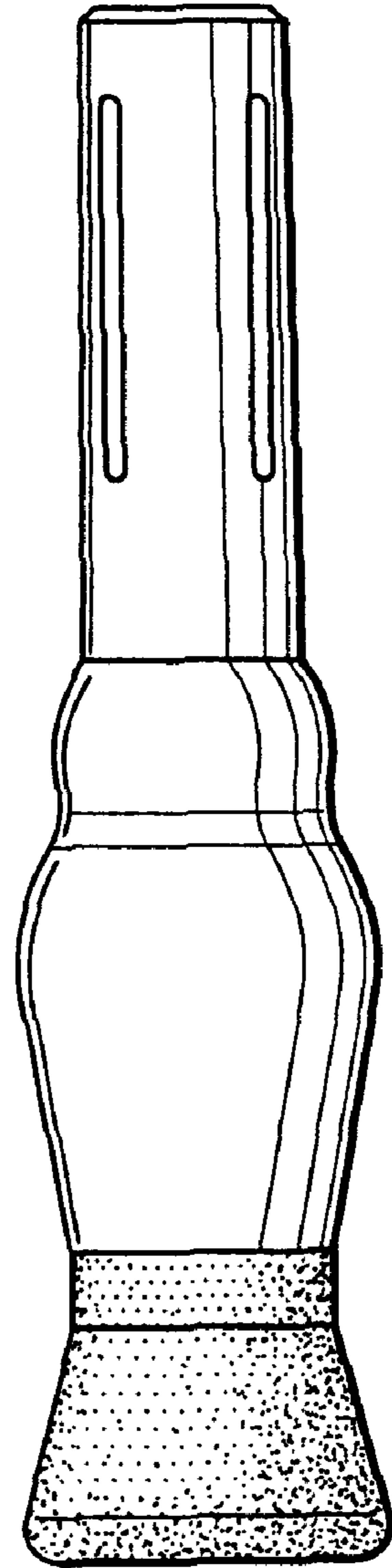


FIG. 3

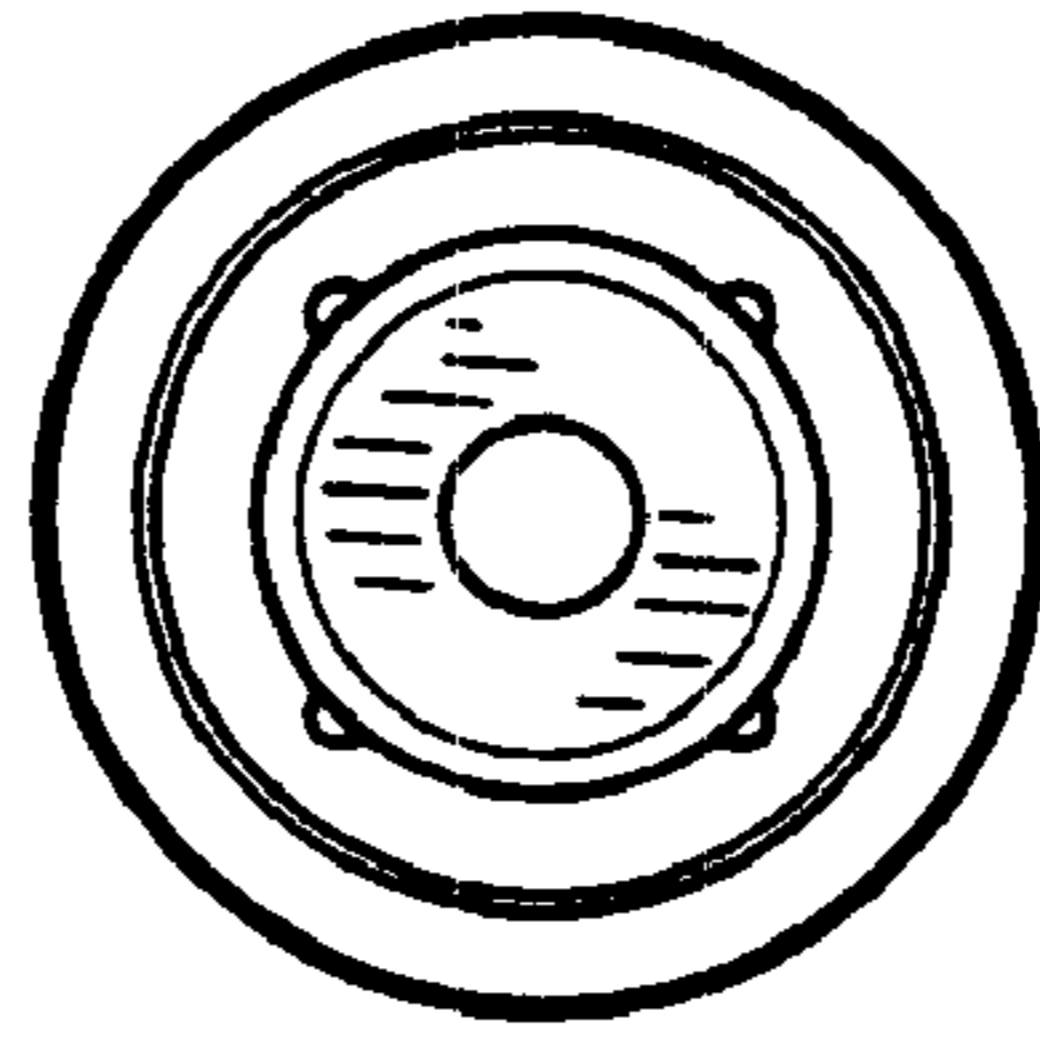


FIG. 4

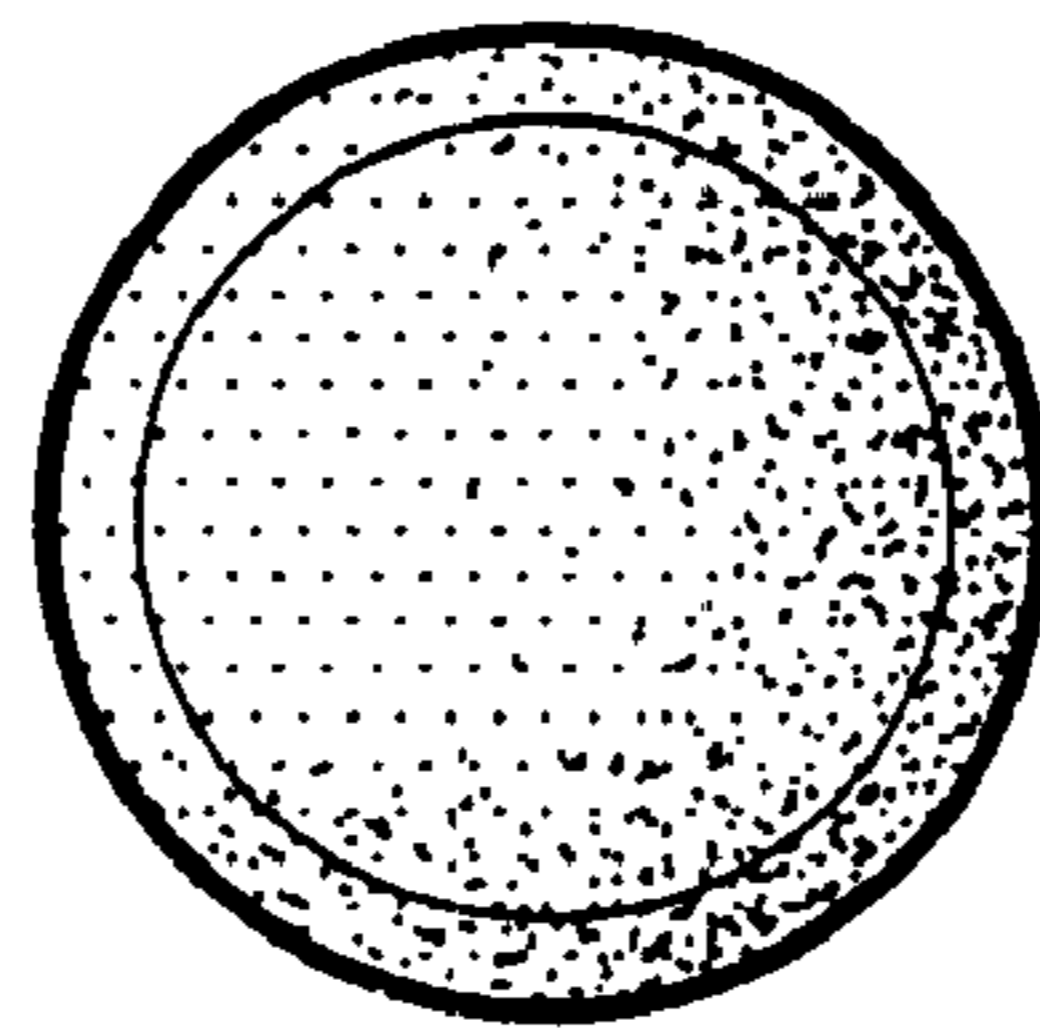


FIG. 5

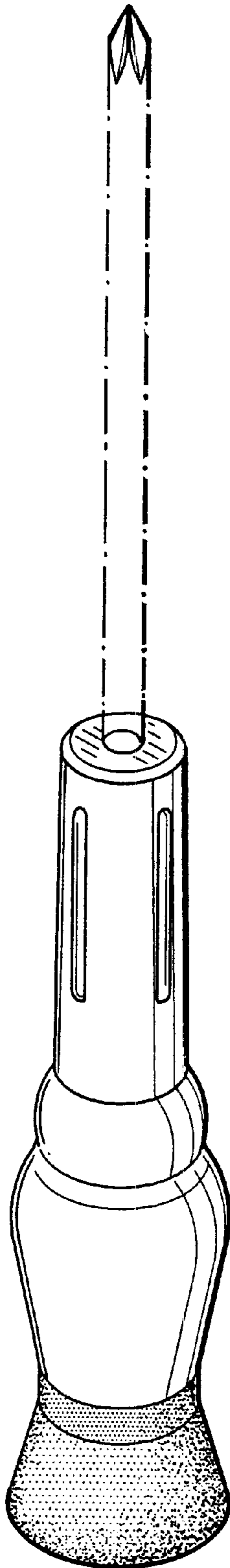


FIG. 6