



US00D477516S

(12) **United States Design Patent** (10) **Patent No.:** **US D477,516 S**
Dollar et al. (45) **Date of Patent:** **** Jul. 22, 2003**

(54) **MULTI PROFILE BIT**

(75) Inventors: **Tammy Elaine Dollar**, West Jefferson, NC (US); **Robert William Yeager**, Lansing, NC (US); **Robert Glenn Hall**, Purlear, NC (US)

(73) Assignee: **Oldham Saw Company, Inc.**, West Jefferson, NC (US)

(**) Term: **14 Years**

(21) Appl. No.: **29/159,753**

(22) Filed: **Apr. 25, 2002**

Related U.S. Application Data

(63) Continuation of application No. 10/055,327, filed on Jan. 22, 2002.

(51) **LOC (7) Cl.** **08-01**

(52) **U.S. Cl.** **D8/70; D15/139**

(58) **Field of Search** D8/70, 85, 86; D15/139, 140; 81/177.85, 436, 441, 901; 279/62, 143, 144, 145, 900, 902; 299/87.1, 106, 107, 109; 408/143, 144, 153, 223, 239 A; 407/30

(56) **References Cited**

U.S. PATENT DOCUMENTS

4,818,027 A * 4/1989 Simon 299/107
D338,213 S * 8/1993 Witt D15/139

D387,072 S * 12/1997 Ojanen D15/139
5,899,252 A * 5/1999 Pozzo D15/139
D429,262 S * 8/2000 Streich D8/70
D434,783 S * 12/2000 Reichenthal D15/139
D438,550 S * 3/2001 Uhlig et al. D15/139

* cited by examiner

Primary Examiner—Doris V. Coles
Assistant Examiner—T. Chase Nelson
(74) *Attorney, Agent, or Firm*—Sand & Sebolt

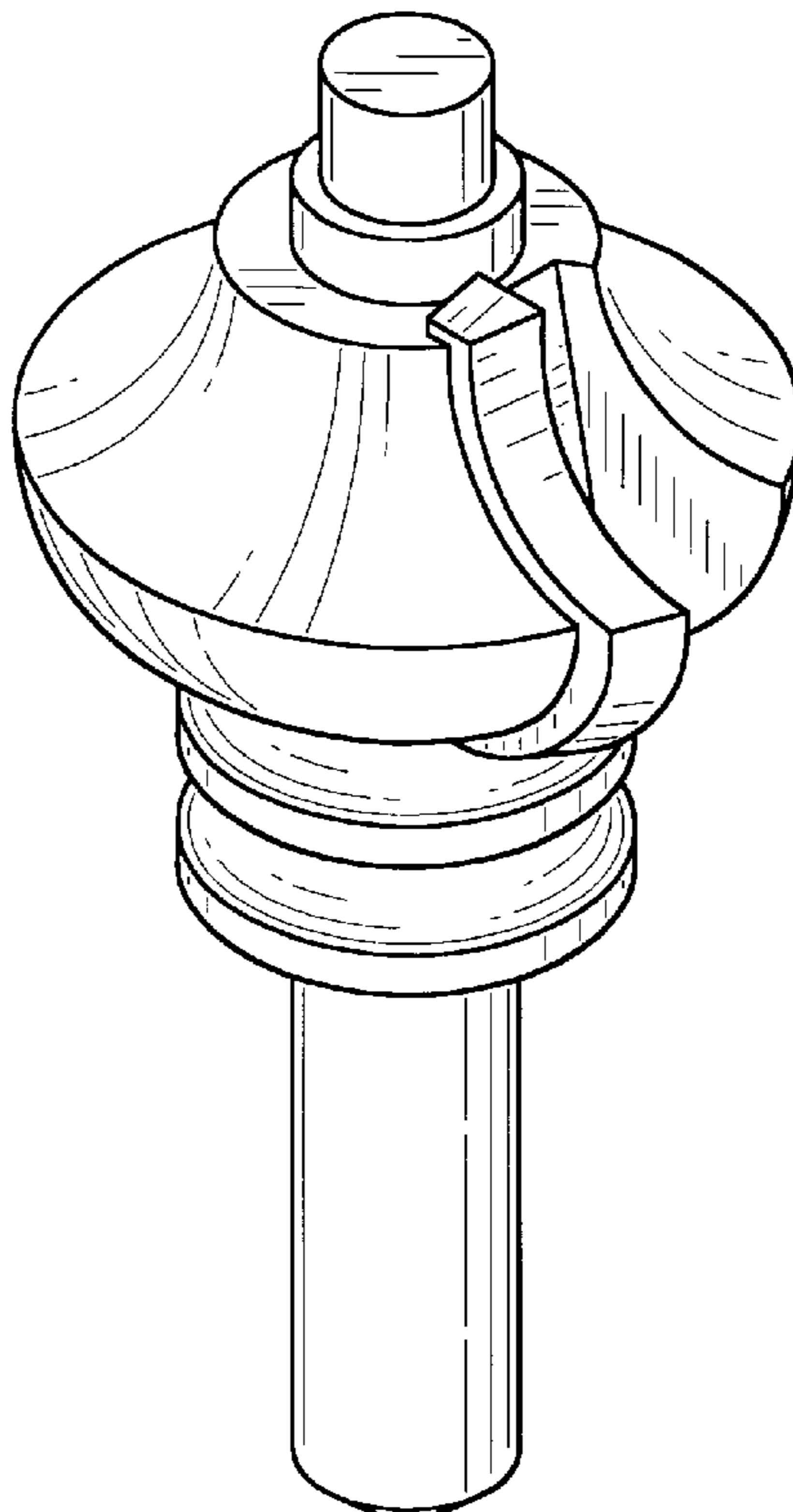
(57) **CLAIM**

The ornamental design for a multi profile bit, as shown and described.

DESCRIPTION

FIG. 1 is a perspective view of a multi profile bit of the present invention.
FIG. 2 is a left side elevational view of the multi profile bit shown in FIG. 1.
FIG. 3 is a right elevational view of the multi profile bit shown in FIG. 1.
FIG. 4 is a top plan view of the multi profile bit shown in FIG. 1.
FIG. 5 is a bottom plan view of the multi profile bit shown in FIG. 1.
FIG. 6 is a front side elevational view of the multi profile bit shown in FIG. 1; and,
FIG. 7 is a rear view of the multi profile bit shown in FIG. 1.

1 Claim, 2 Drawing Sheets



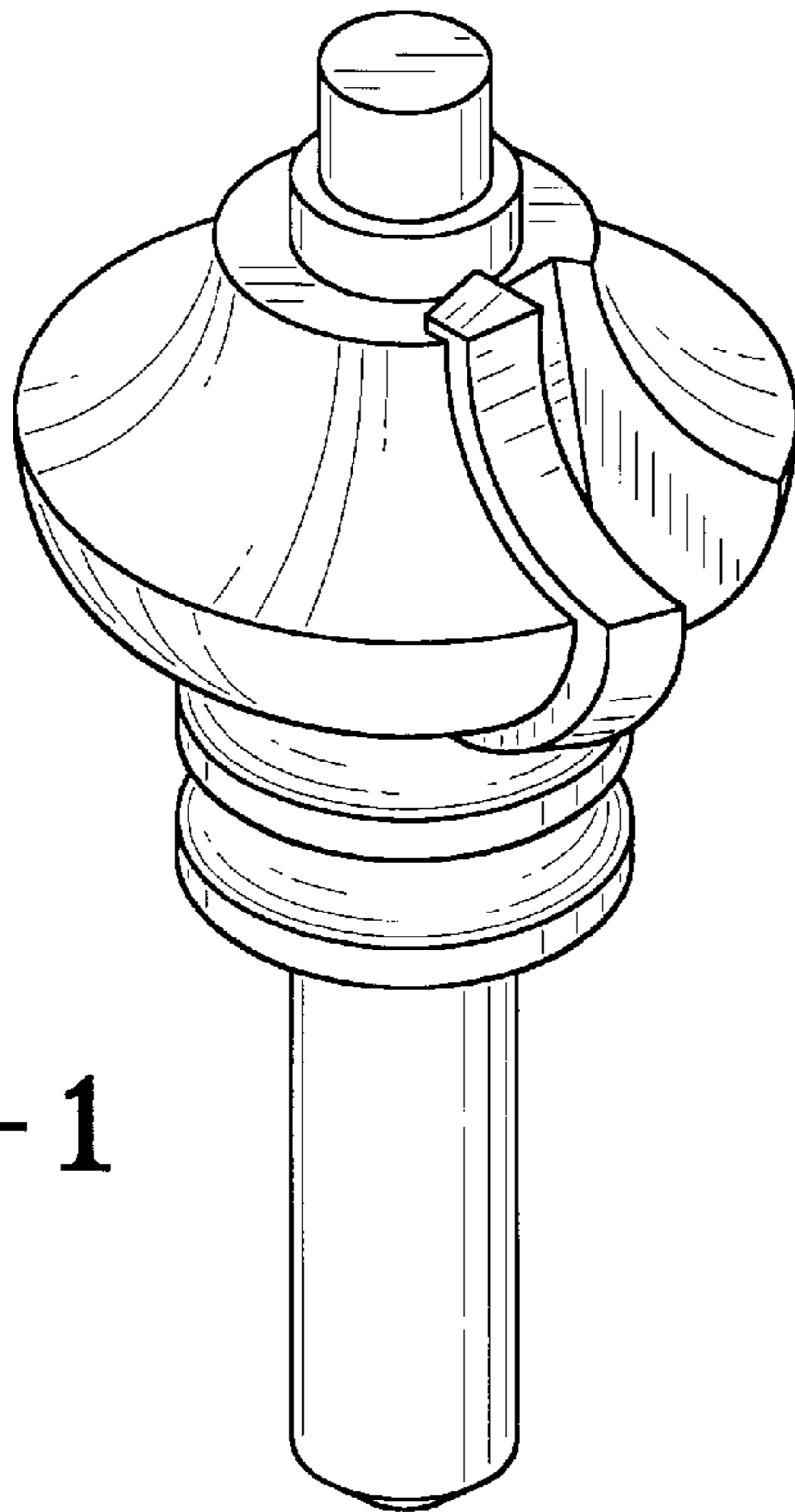


FIG-1

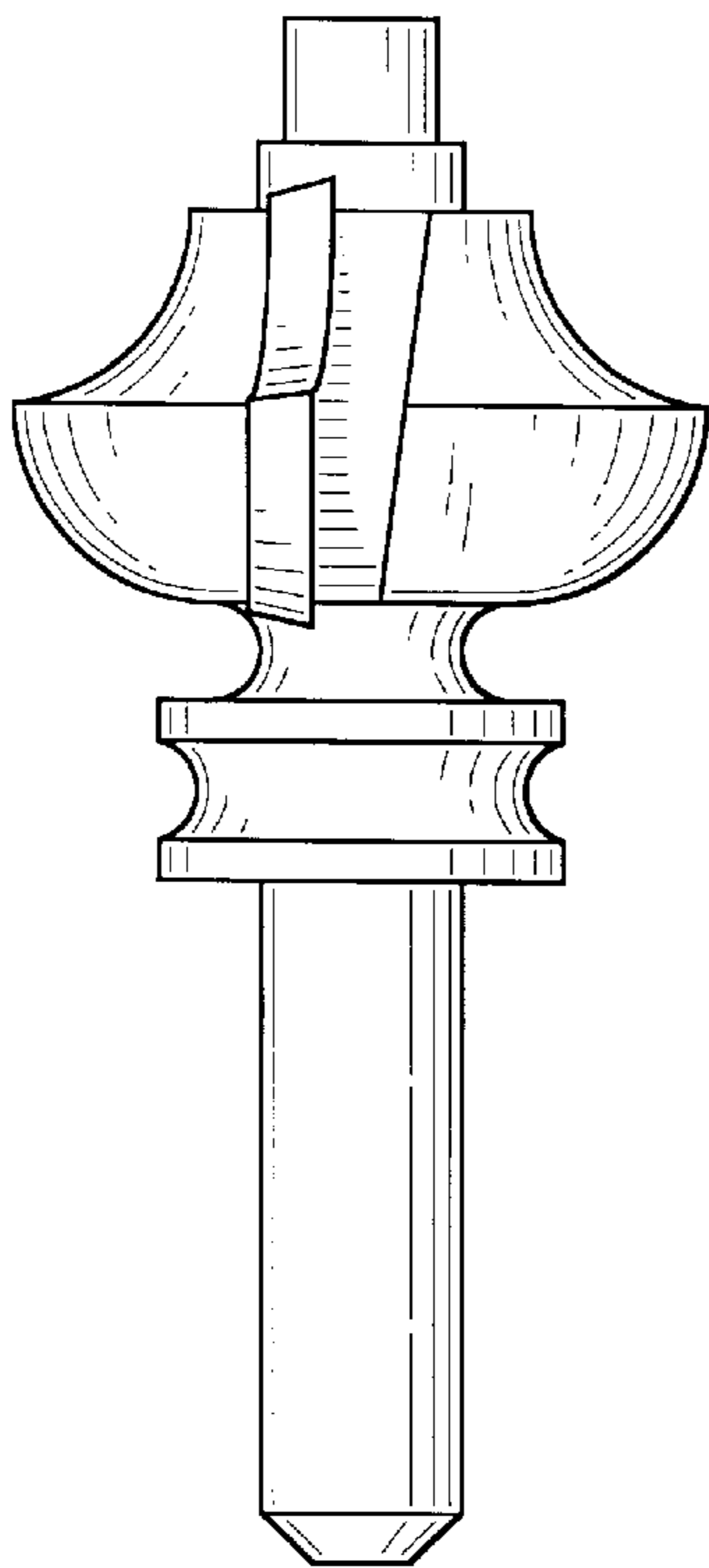


FIG-2

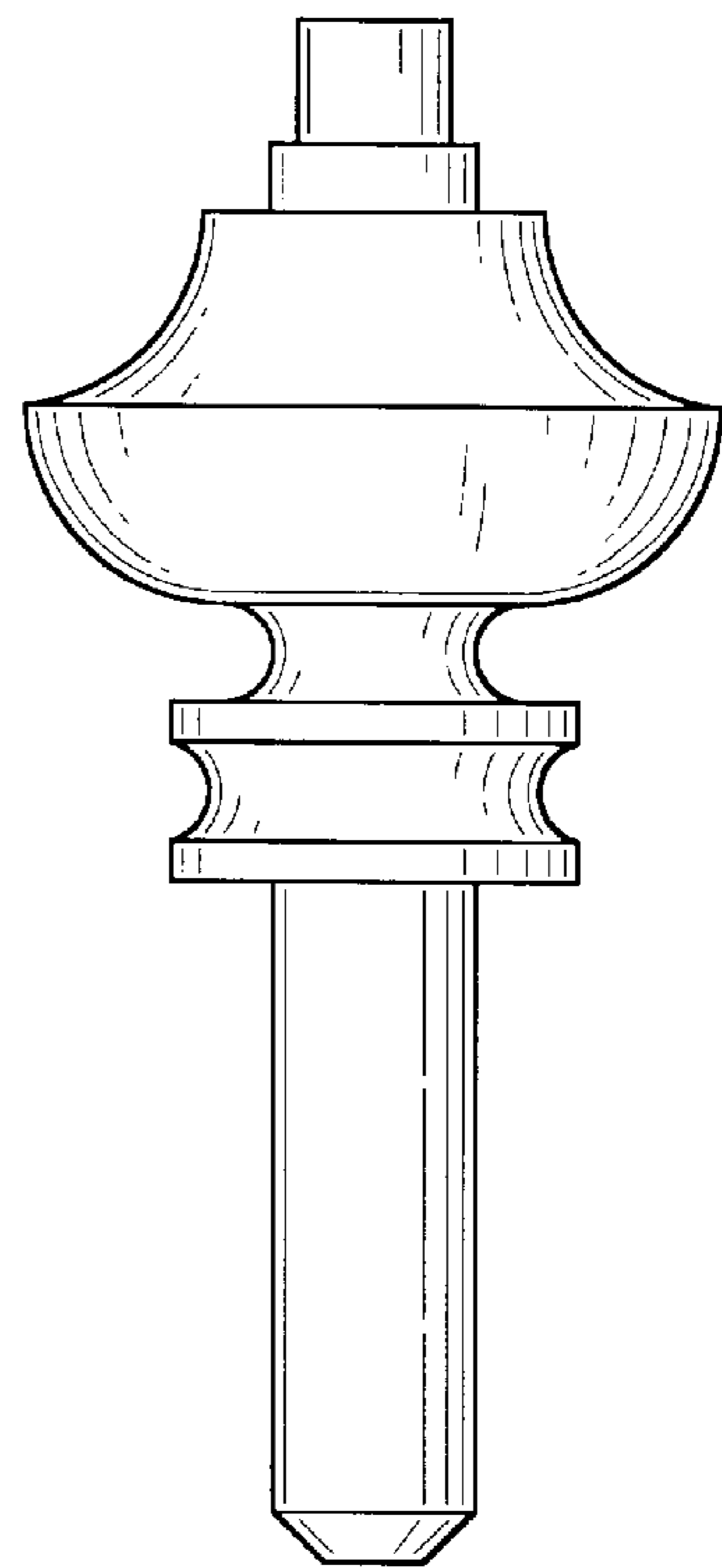


FIG-3

FIG-4

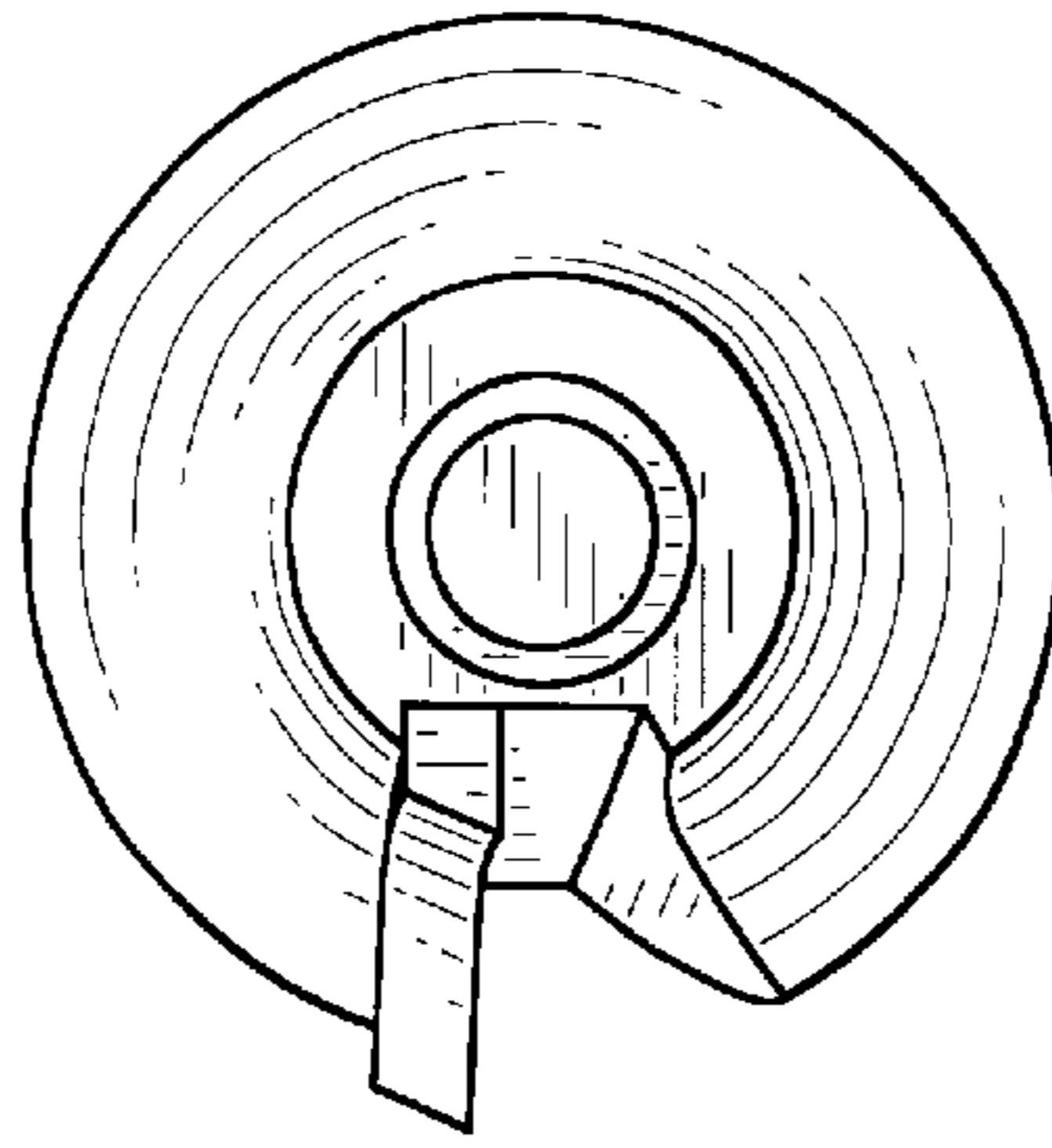


FIG-5

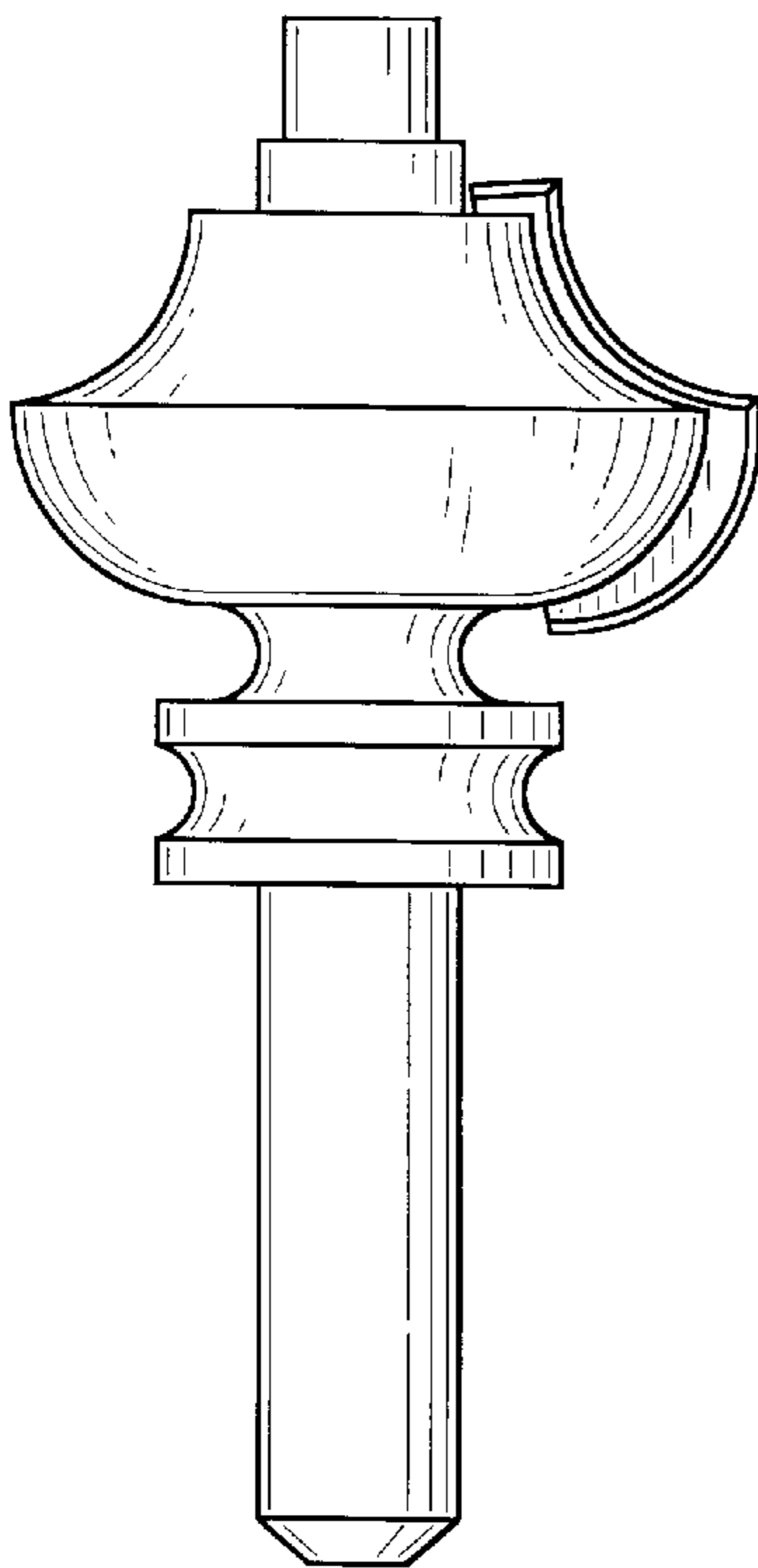
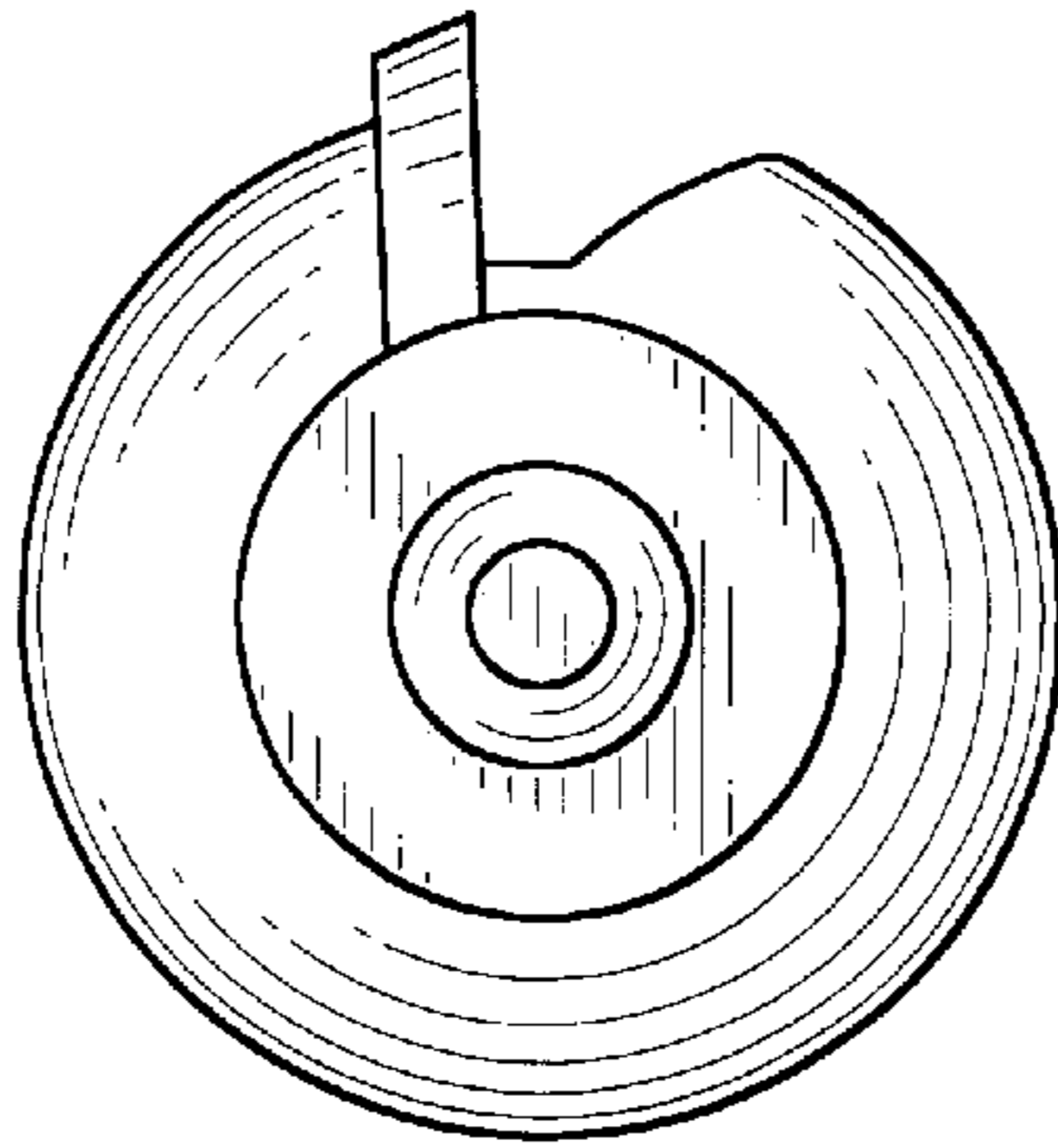


FIG-6

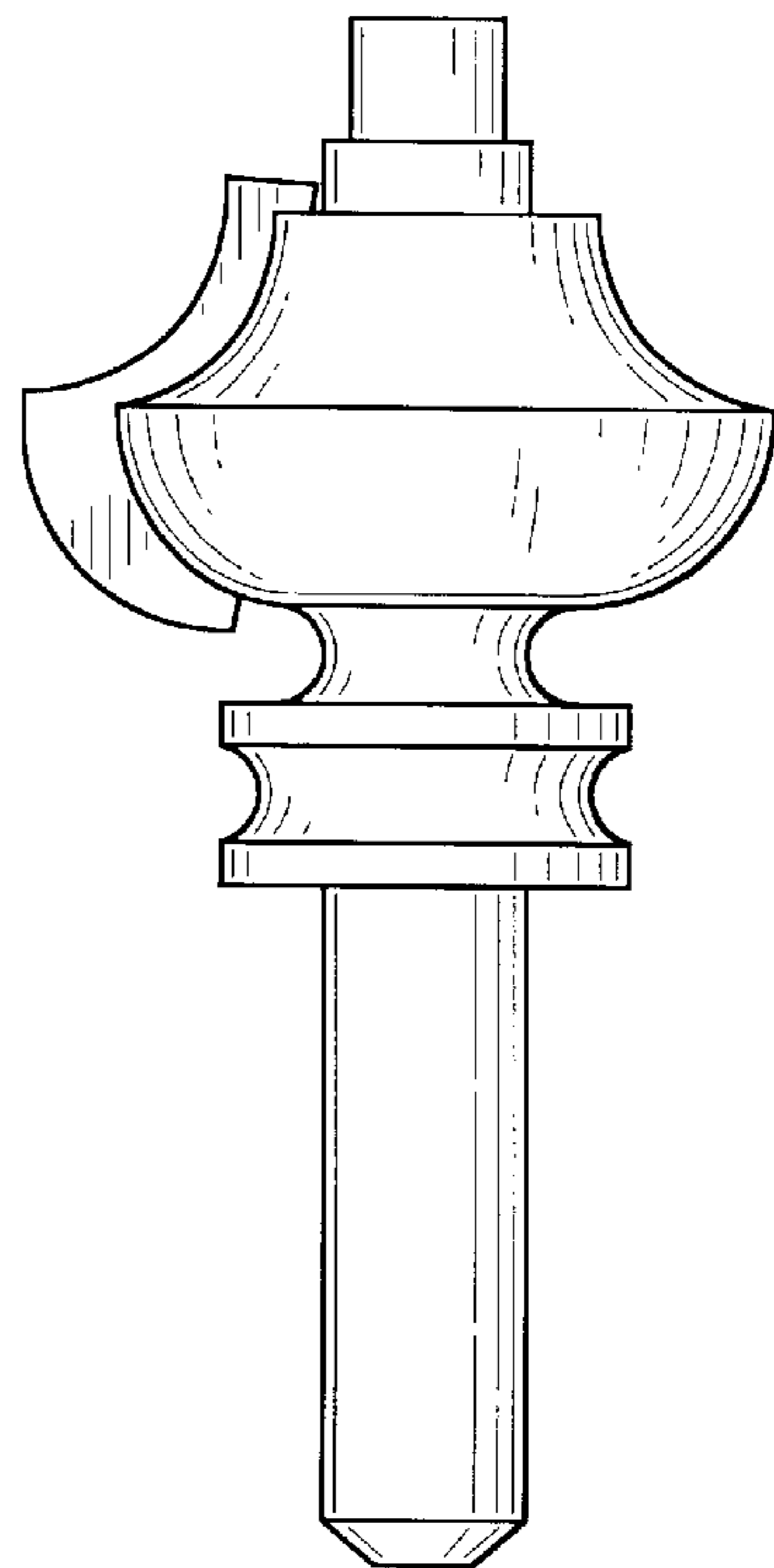


FIG-7