



US00D477514S

(12) **United States Design Patent**
Chen

(10) **Patent No.:** **US D477,514 S**

(45) **Date of Patent:** **** Jul. 22, 2003**

(54) **PNEUMATIC STAPLER**

(75) **Inventor:** **Jin-Chyi Chen, Taichung (TW)**

(73) **Assignee:** **Basso Industry Corp., Taichung (TW)**

(**) **Term:** **14 Years**

(21) **Appl. No.:** **29/171,143**

(22) **Filed:** **Nov. 18, 2002**

(51) **LOC (7) Cl.** **08-05**

(52) **U.S. Cl.** **D8/68; D8/69**

(58) **Field of Search** **D8/61, 62, 63,**
D8/64, 65, 66, 67, 68, 69, 70; 81/57.11,
429, 464, 465, 466, 469, 489; 173/13, 169,
178, 213, 217; 227/8, 114, 120, 130, 136,
142; 310/50; 408/20, 124, 125, 234, 241 R;
451/358

(56) **References Cited**

U.S. PATENT DOCUMENTS

D334,329 S	*	3/1993	Ogawa et al.	D8/69
D337,252 S	*	7/1993	Tsuru et al.	D8/69
D338,819 S	*	8/1993	Ohkochi	D8/69
D353,664 S	*	12/1994	Eminger et al.	D8/69
D377,592 S	*	1/1997	Hattori	D8/69

D379,912 S	*	6/1997	Burke et al.	D8/68
D392,170 S	*	3/1998	Hattori	D8/68
5,743,455 A	*	4/1998	Holliday	227/142
5,862,970 A	*	1/1999	Cougar	227/130
D435,205 S	*	12/2000	Etter et al.	D8/68
6,161,744 A	*	12/2000	Mukoyama et al.	227/120
D466,781 S	*	12/2002	Matsuoka et al.	D8/69

* cited by examiner

Primary Examiner—Doris V. Coles

Assistant Examiner—T. Chase Nelson

(74) *Attorney, Agent, or Firm*—Charles E. Baxley

(57) **CLAIM**

The ornamental design for a pneumatic stapler, as shown and described.

DESCRIPTION

FIG. 1 is a perspective view of a pneumatic stapler showing my new design;

FIG. 2 is a front elevational view thereof;

FIG. 3 is a rear elevational view thereof,

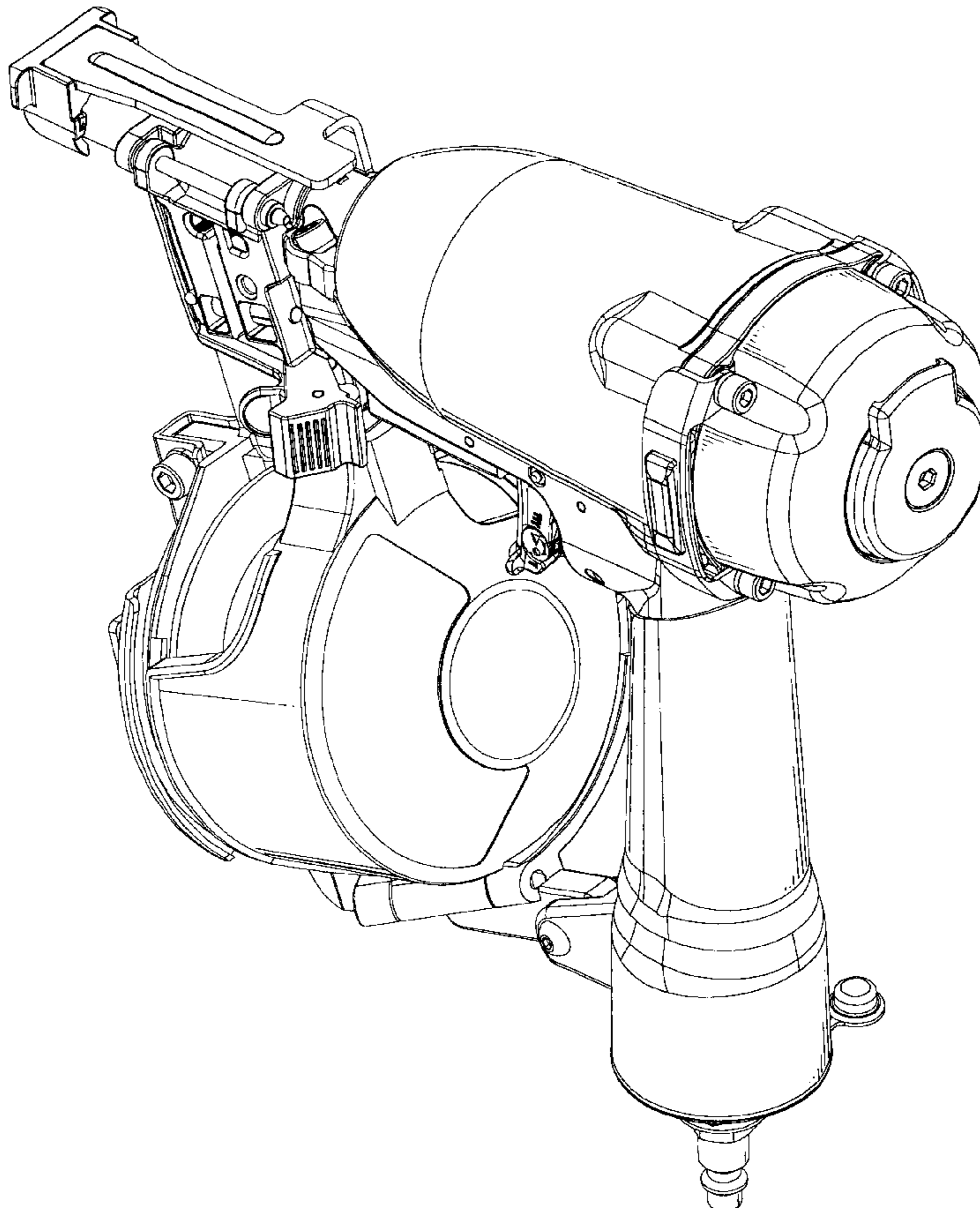
FIG. 4 is a left side elevational view thereof,

FIG. 5 is a right side elevational view thereof,

FIG. 6 is a top plan view thereof; and,

FIG. 7 is a bottom plan view to that shown.

1 Claim, 7 Drawing Sheets



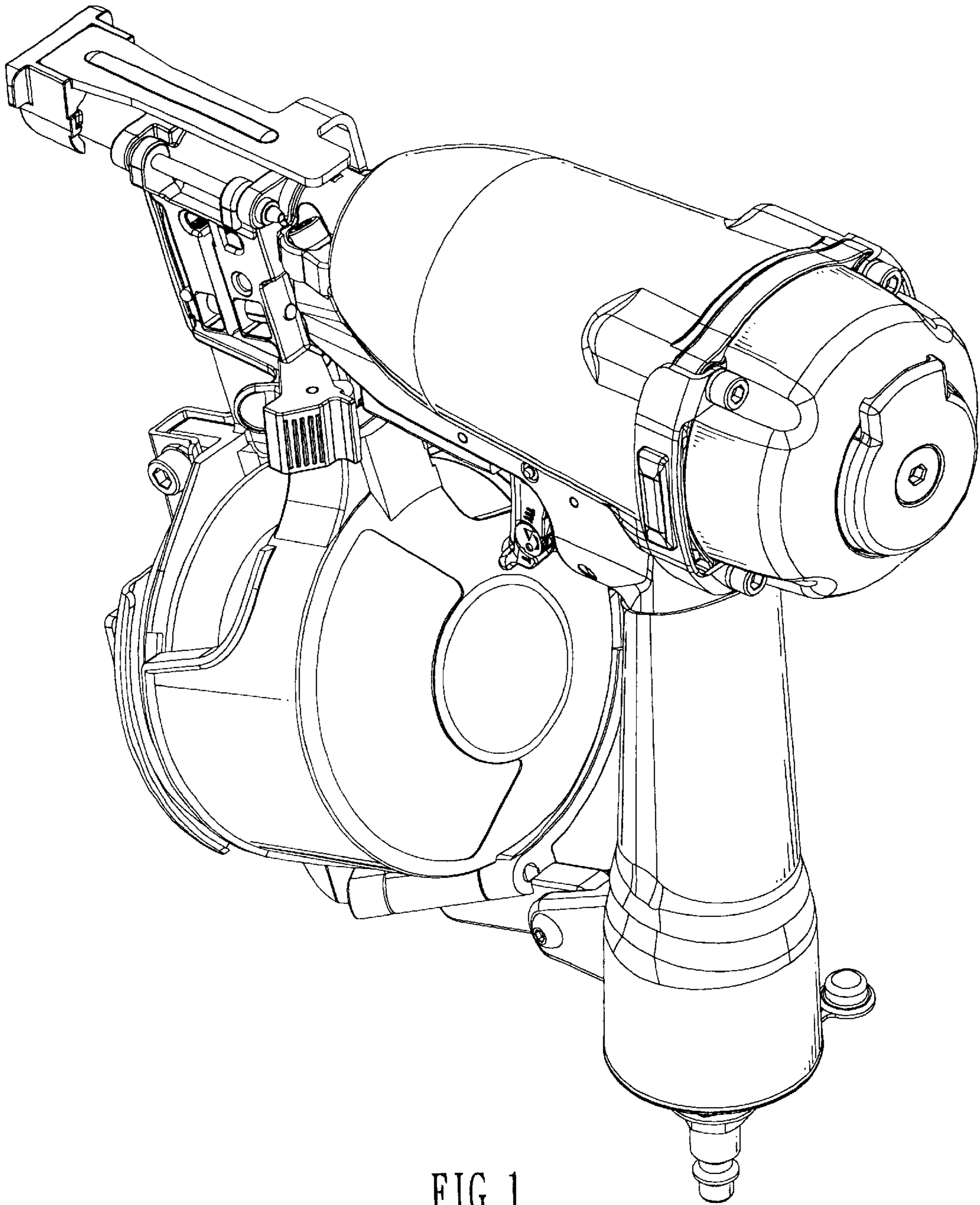


FIG. 1

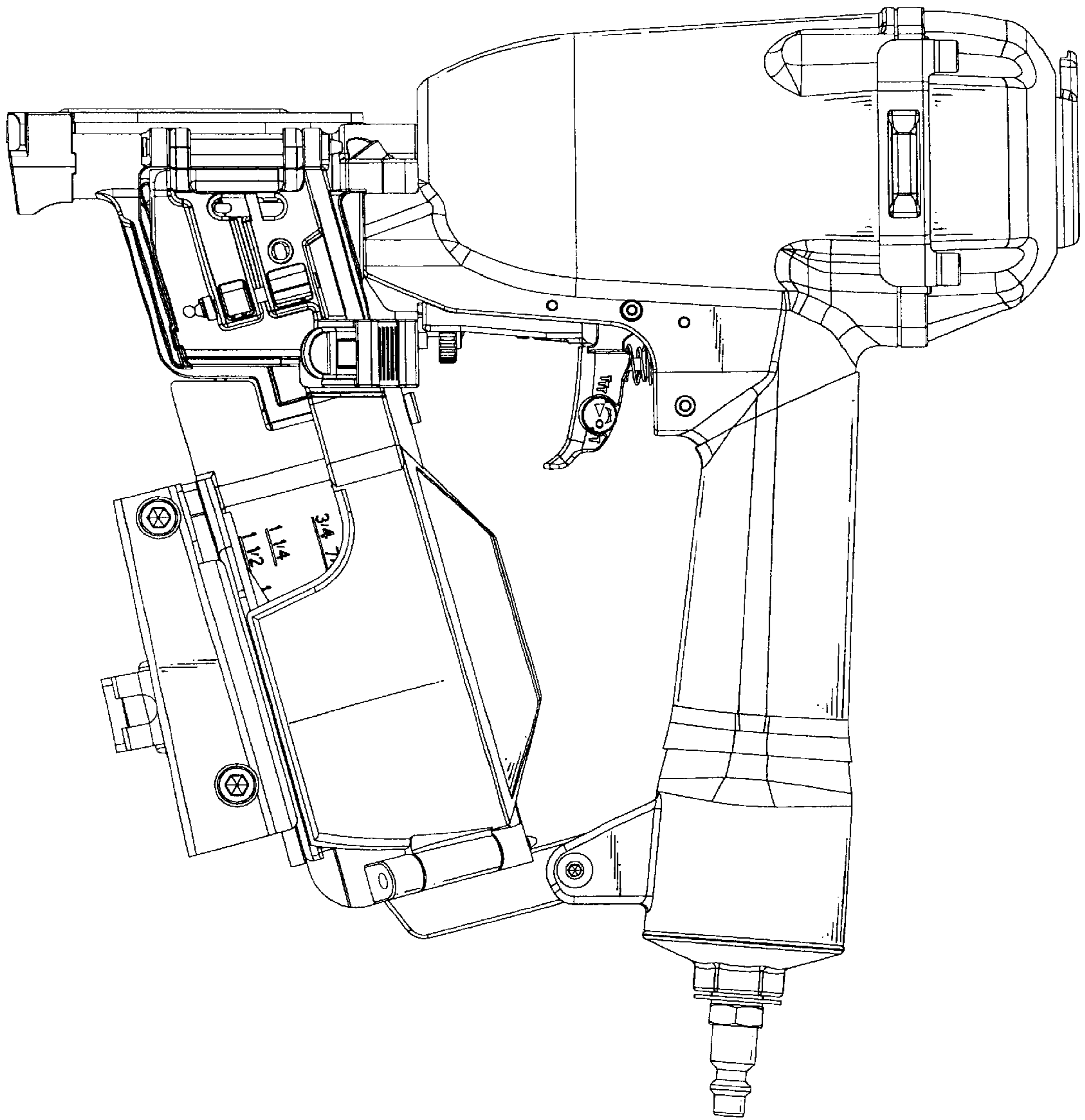


FIG. 2

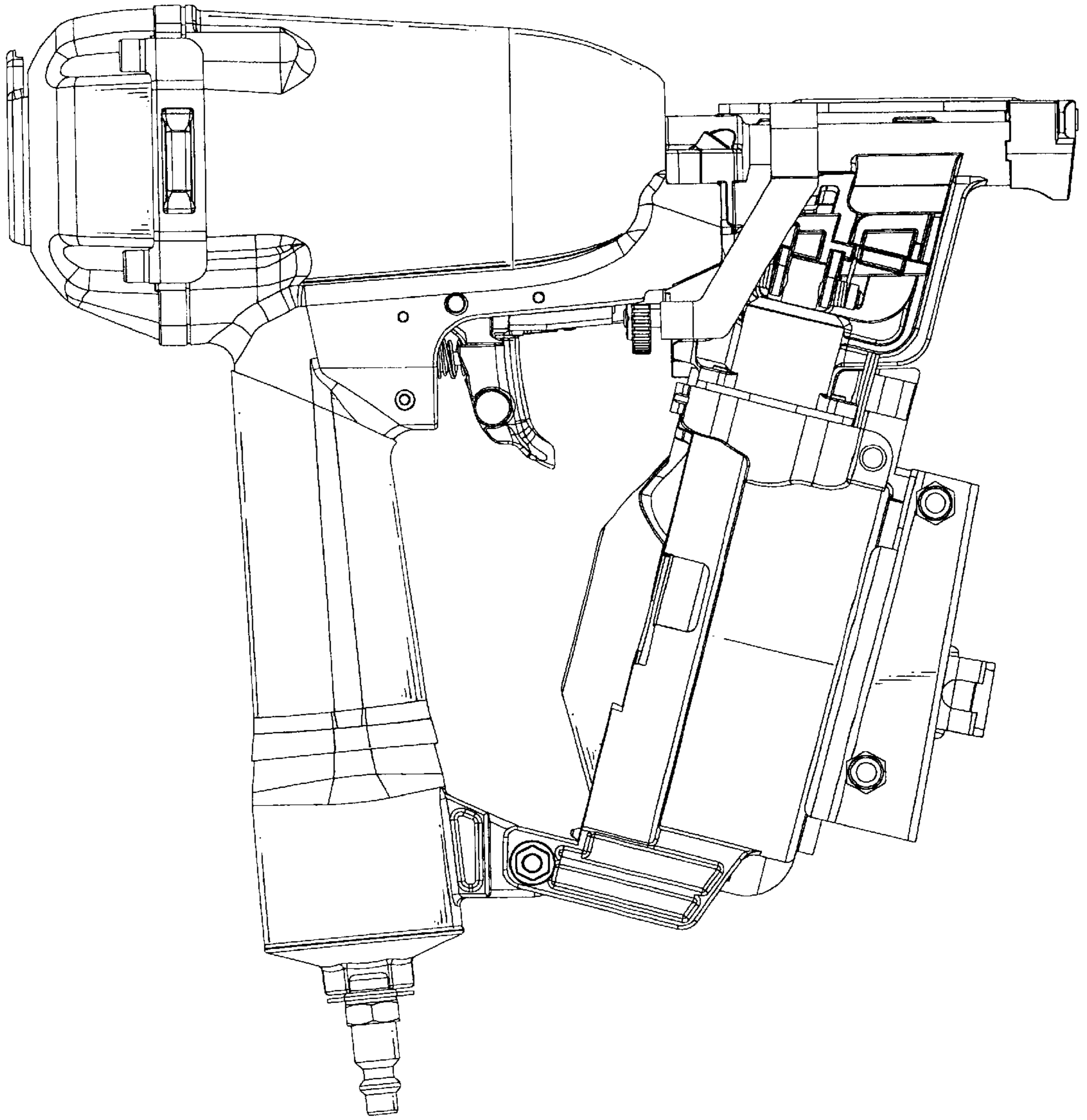


FIG. 3

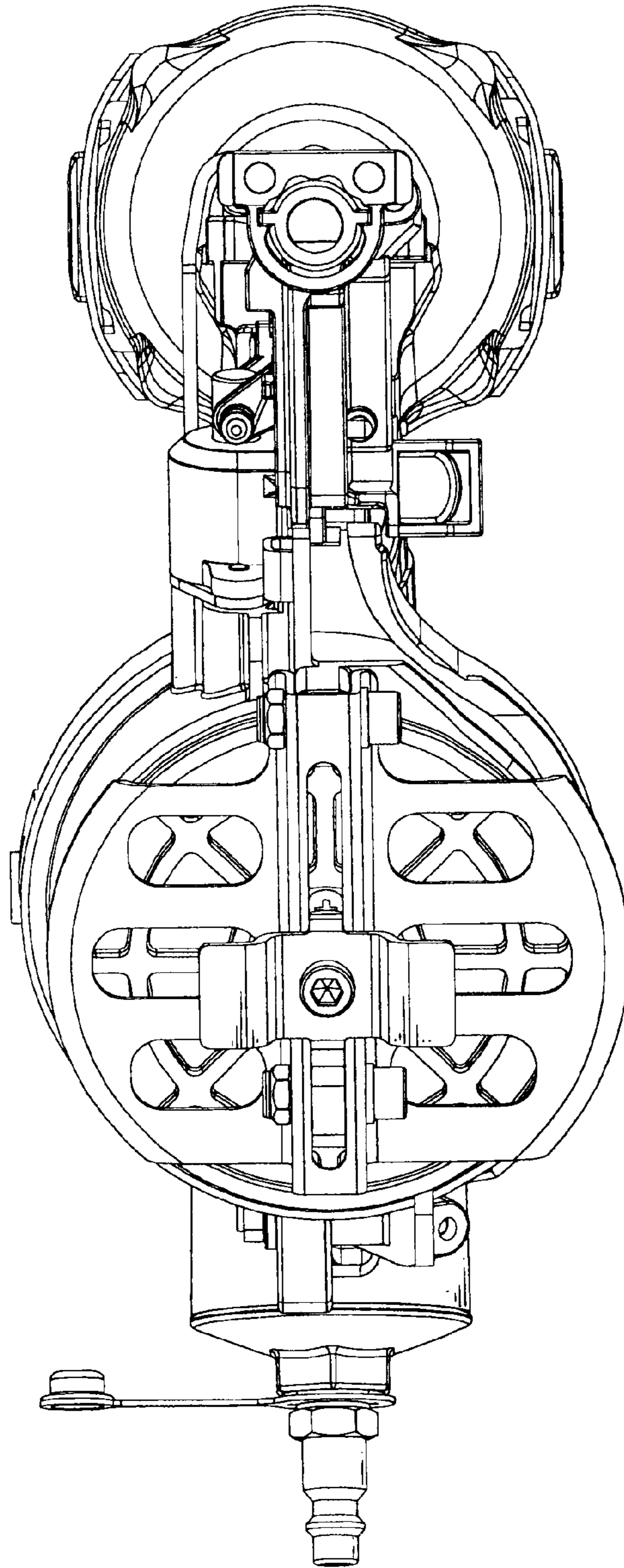


FIG. 4

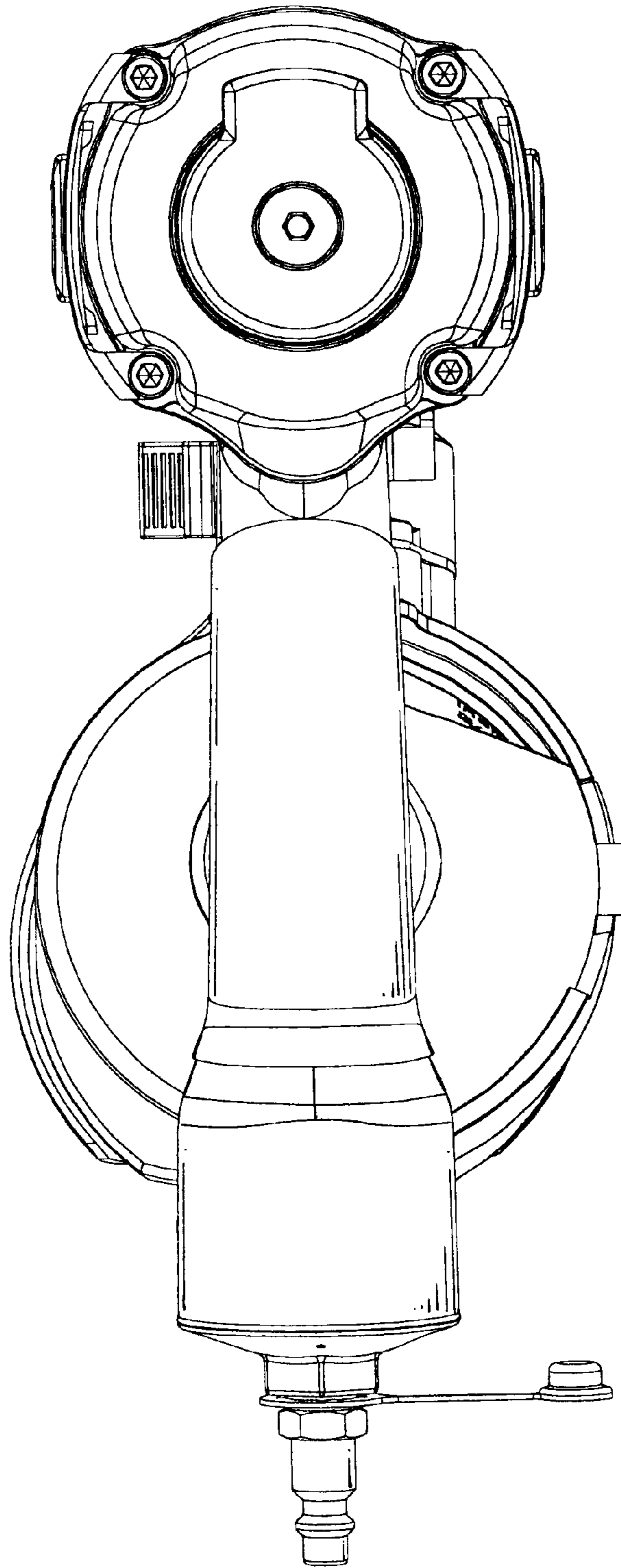


FIG. 5

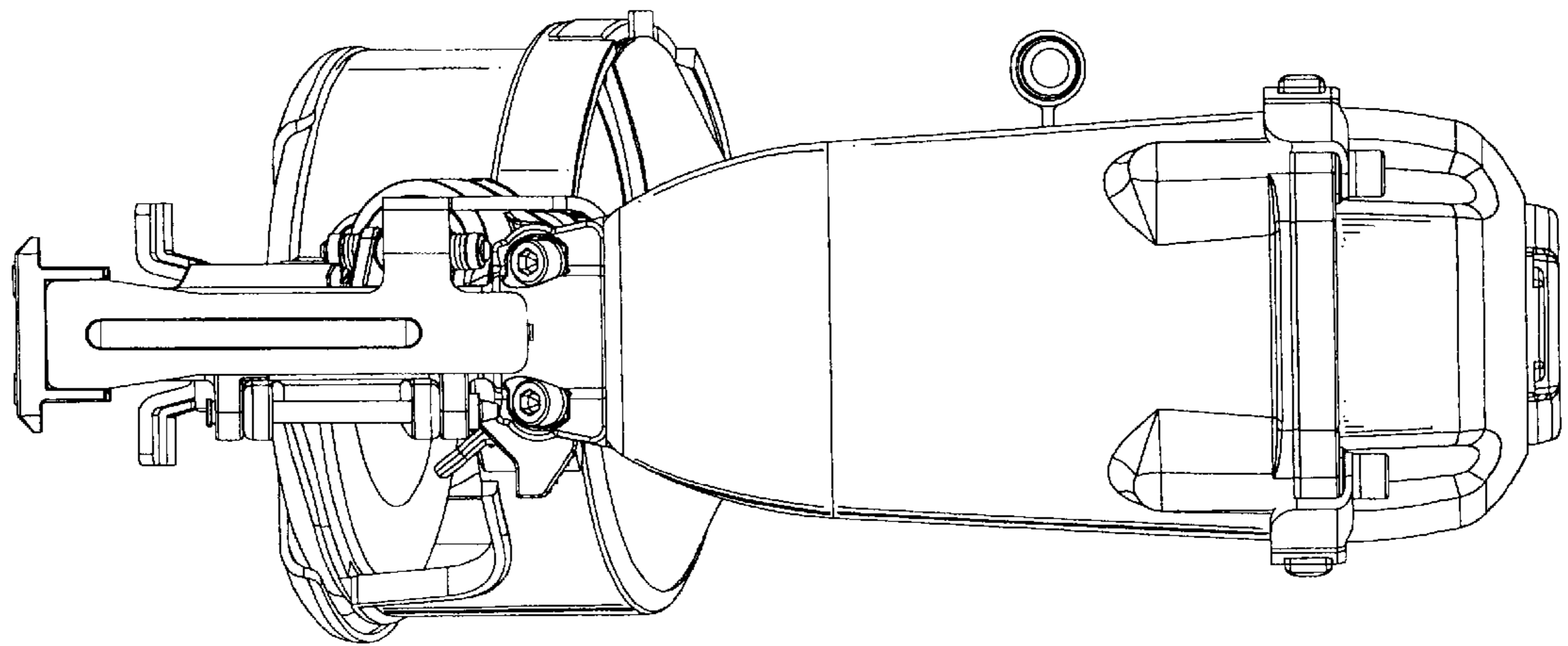


FIG. 6

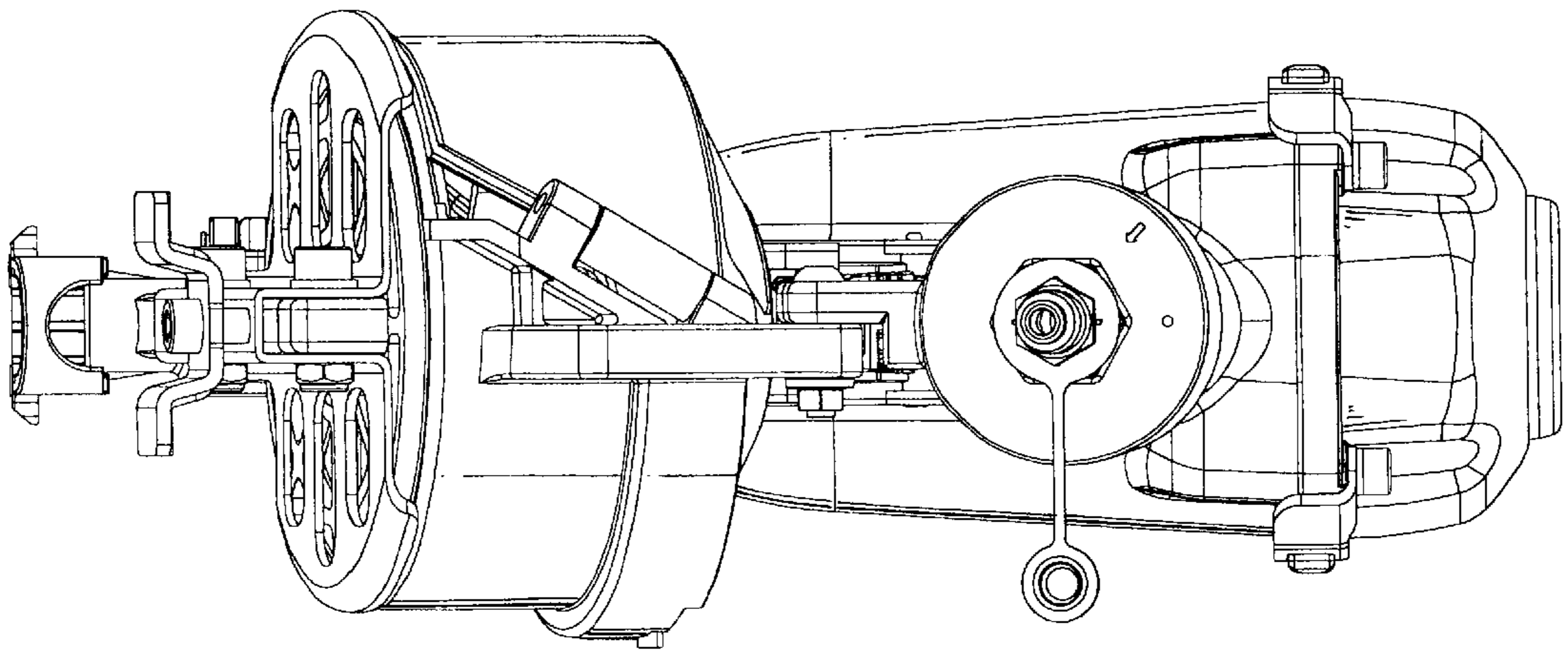


FIG. 7