



US00D477513S

(12) **United States Design Patent**  
**Bor**

(10) **Patent No.:** **US D477,513 S**

(45) **Date of Patent:** **\*\* Jul. 22, 2003**

(54) **PNEUMATIC STAPLER**

(75) **Inventor:** **Chien-Guo Bor, Taichung (TW)**

(73) **Assignee:** **Basso Industry Corp., Taichung (TW)**

(\*\*) **Term:** **14 Years**

(21) **Appl. No.:** **29/171,139**

(22) **Filed:** **Nov. 18, 2002**

(51) **LOC (7) Cl.** ..... **08-05**

(52) **U.S. Cl.** ..... **D8/68; D8/69**

(58) **Field of Search** ..... **D8/61, 62, 63,**  
**D8/64, 65, 66, 67, 68, 69, 70; 81/57.11,**  
**429, 464, 465, 466, 469, 489; 173/13, 169,**  
**178, 213, 217; 227/8, 114, 120, 130, 136,**  
**142; 310/50; 408/20, 124, 125, 234, 241 R;**  
**451/358**

(56) **References Cited**

**U.S. PATENT DOCUMENTS**

- D316,022 S \* 4/1991 Moraht ..... D8/69
- D332,561 S \* 1/1993 Fushiya et al. .... D8/69
- D338,818 S \* 8/1993 Katsuba ..... D8/69

- 5,720,422 A \* 2/1998 Ichikawa et al. .... 227/120
- 6,036,072 A \* 3/2000 Lee ..... 227/120
- D459,184 S \* 6/2002 Buck ..... D8/69
- D459,185 S \* 6/2002 Buck ..... D8/69

\* cited by examiner

*Primary Examiner*—Doris V. Coles

*Assistant Examiner*—T. Chase Nelson

(74) *Attorney, Agent, or Firm*—Charles E. Baxley

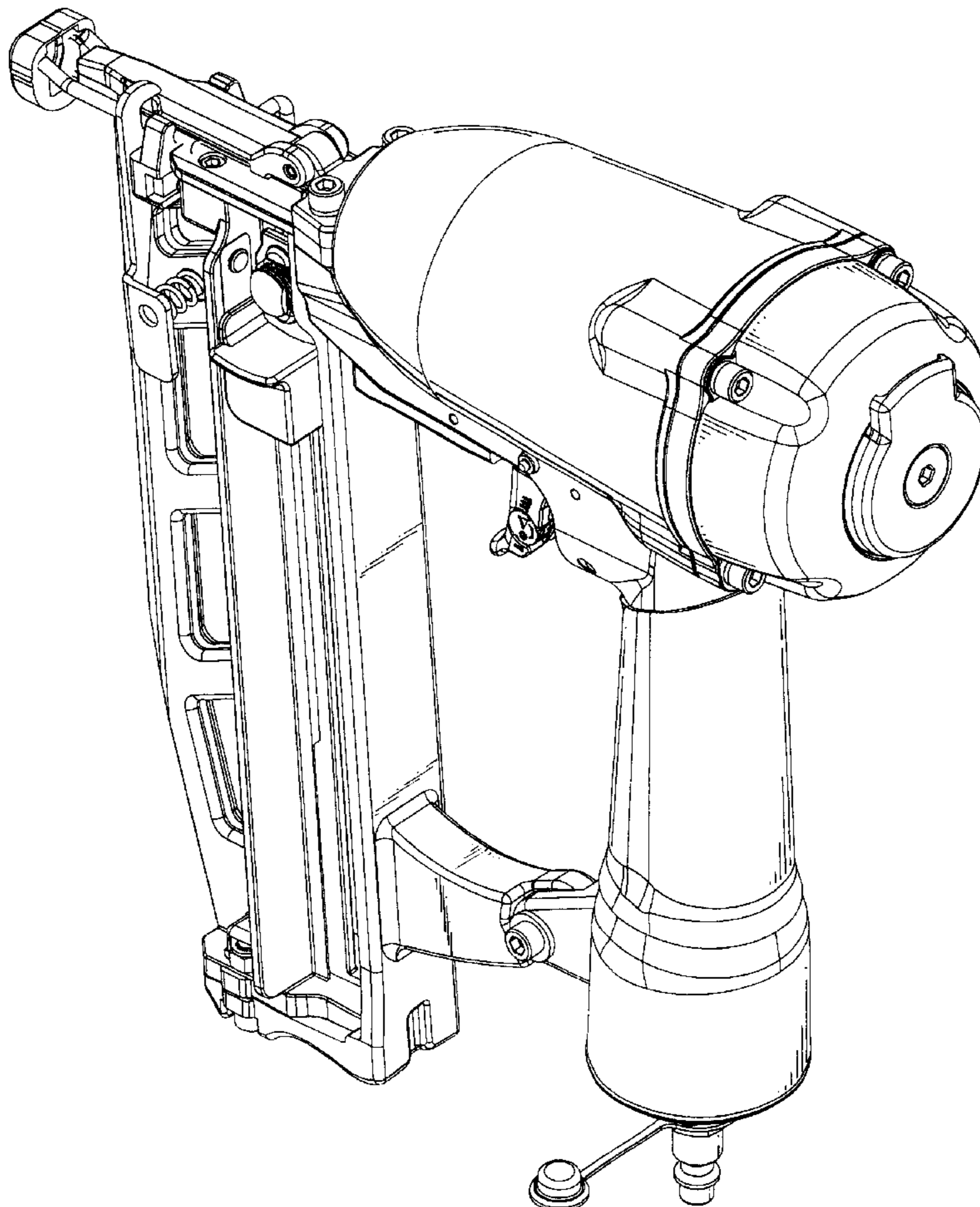
(57) **CLAIM**

The ornamental design for a pneumatic stapler, as shown and described.

**DESCRIPTION**

FIG. 1 is a perspective view of a pneumatic stapler showing my new design;  
FIG. 2 is a front elevational view thereof;  
FIG. 3 is a rear elevational view thereof,  
FIG. 4 is a left side elevational view thereof,  
FIG. 5 is a right side elevational view thereof,  
FIG. 6 is a top plan view thereof; and,  
FIG. 7 is a bottom plan view to that shown.

**1 Claim, 7 Drawing Sheets**



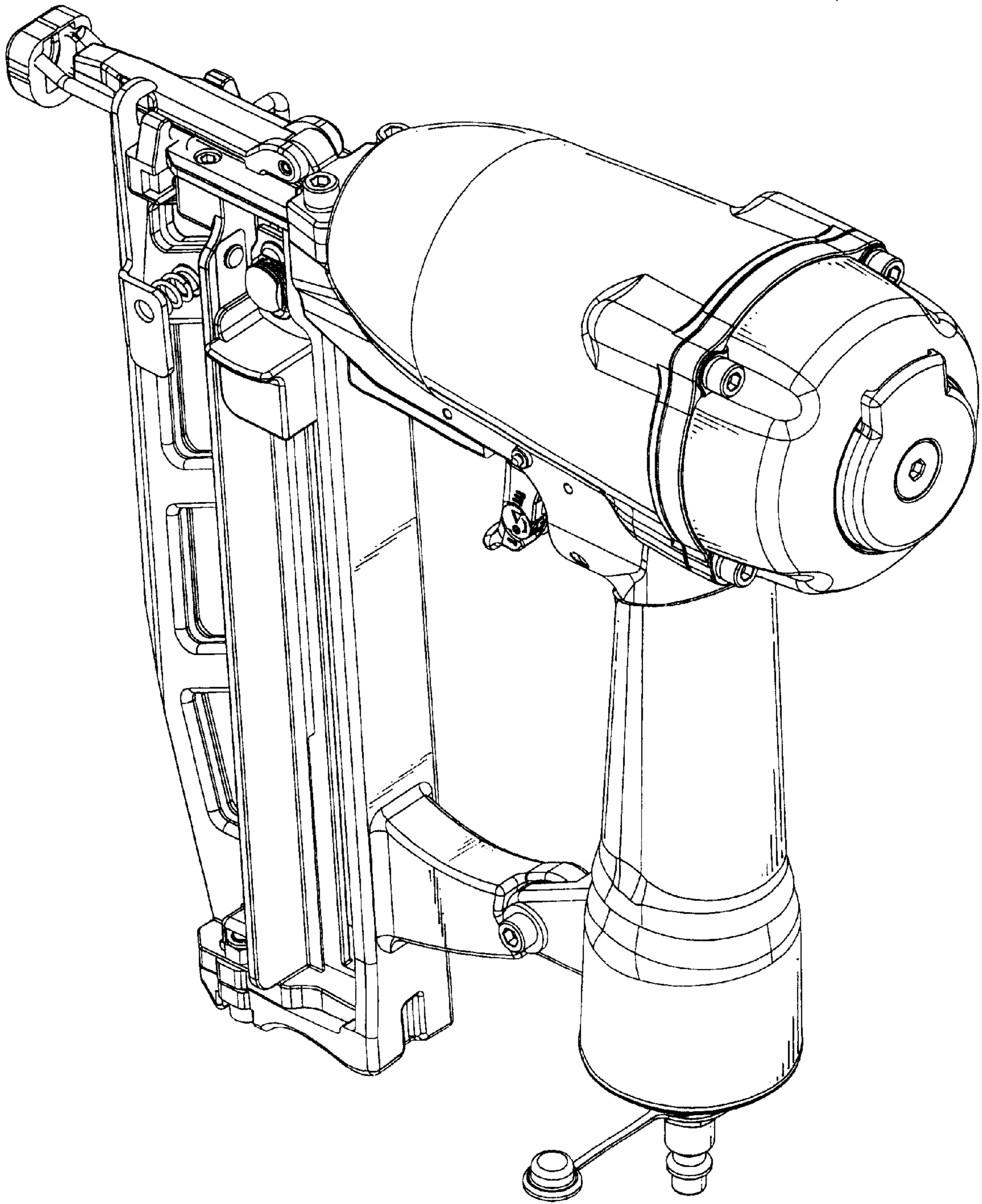


FIG. 1

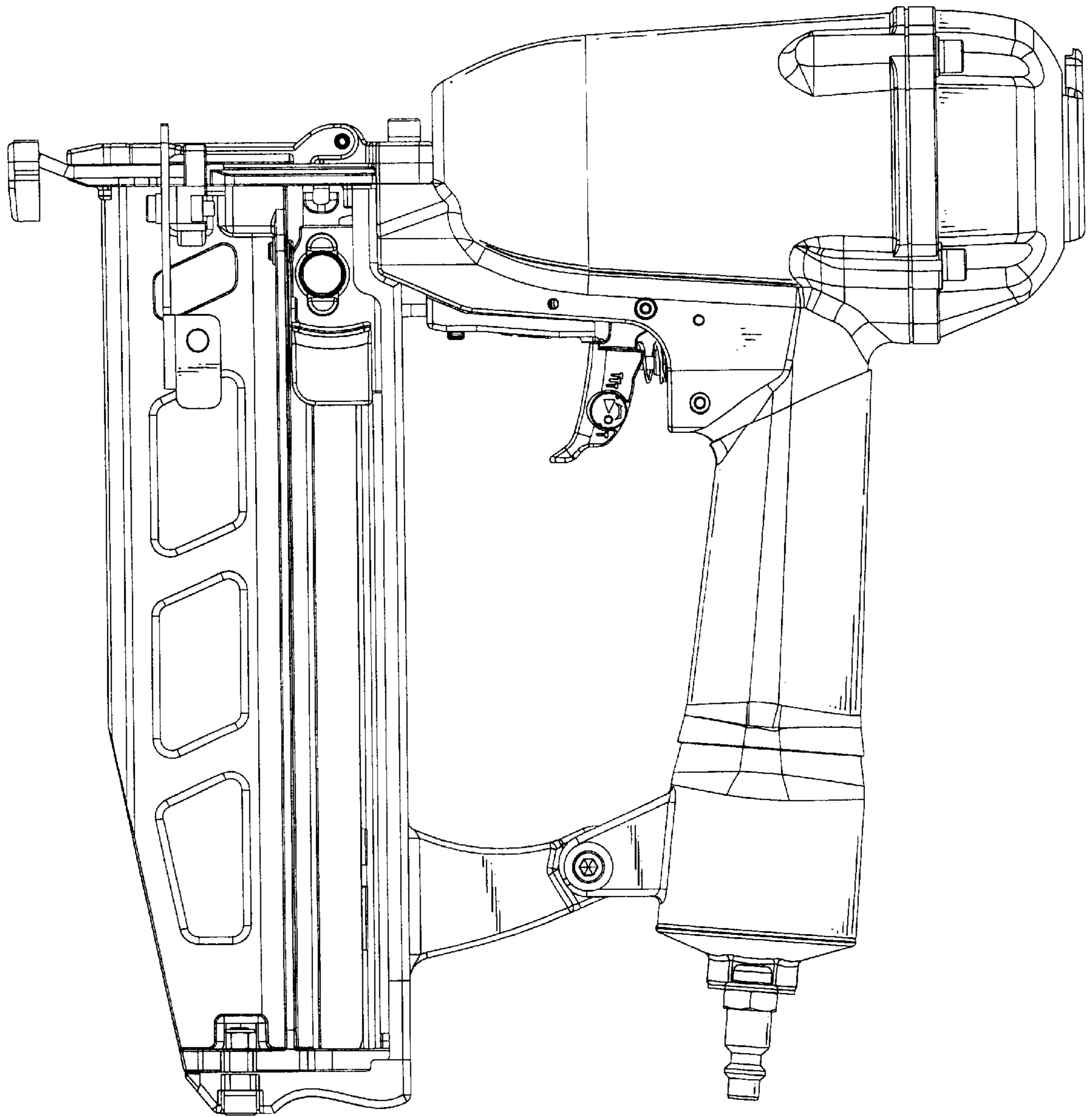


FIG. 2

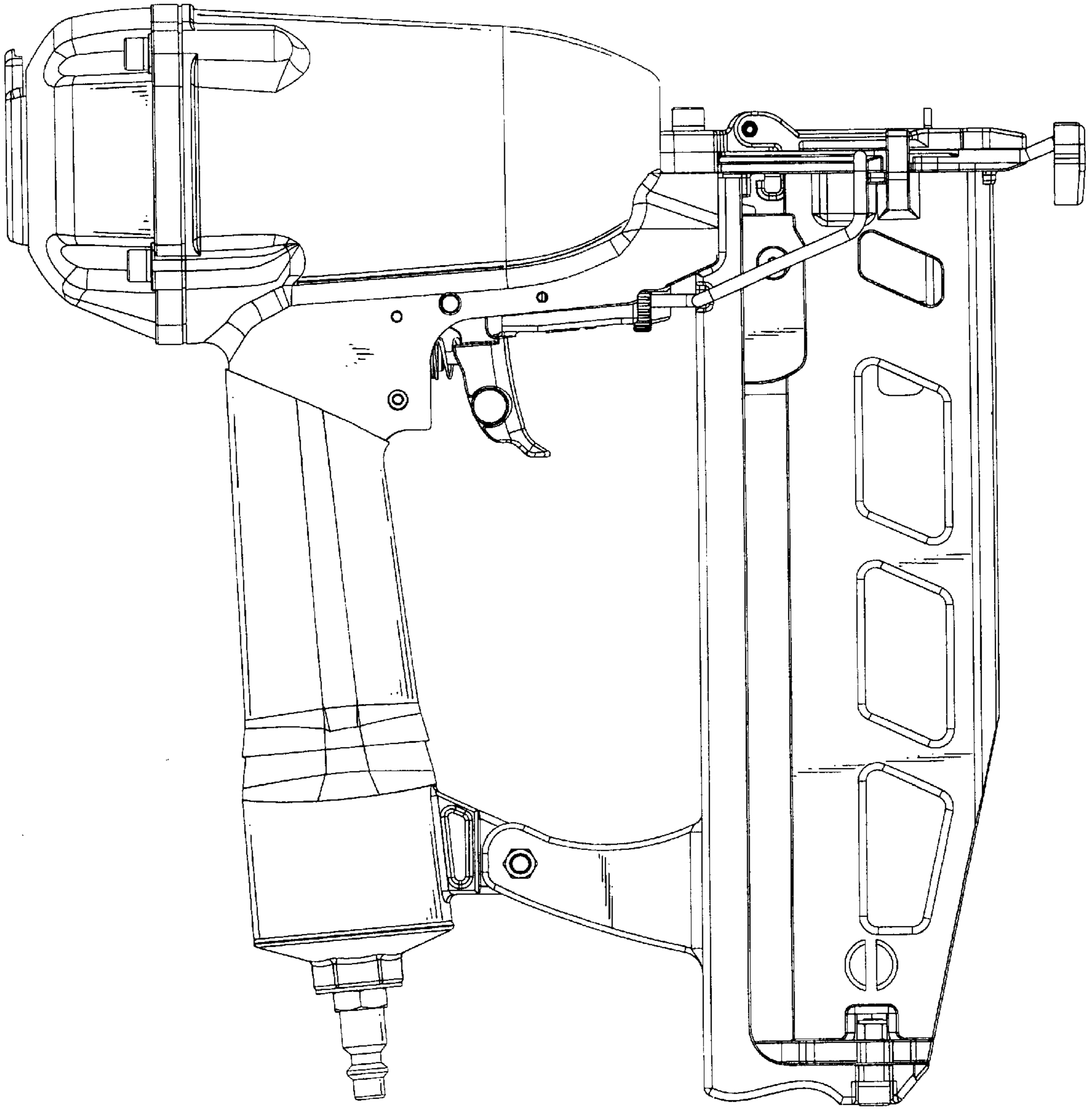


FIG. 3

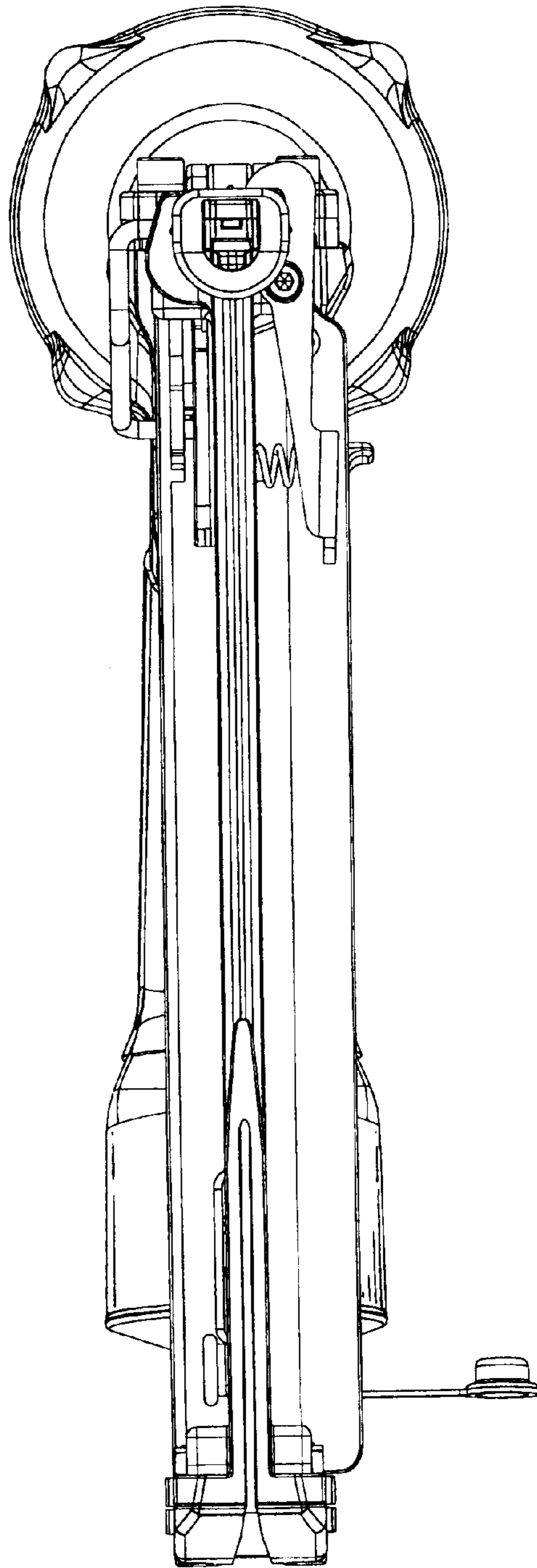


FIG. 4

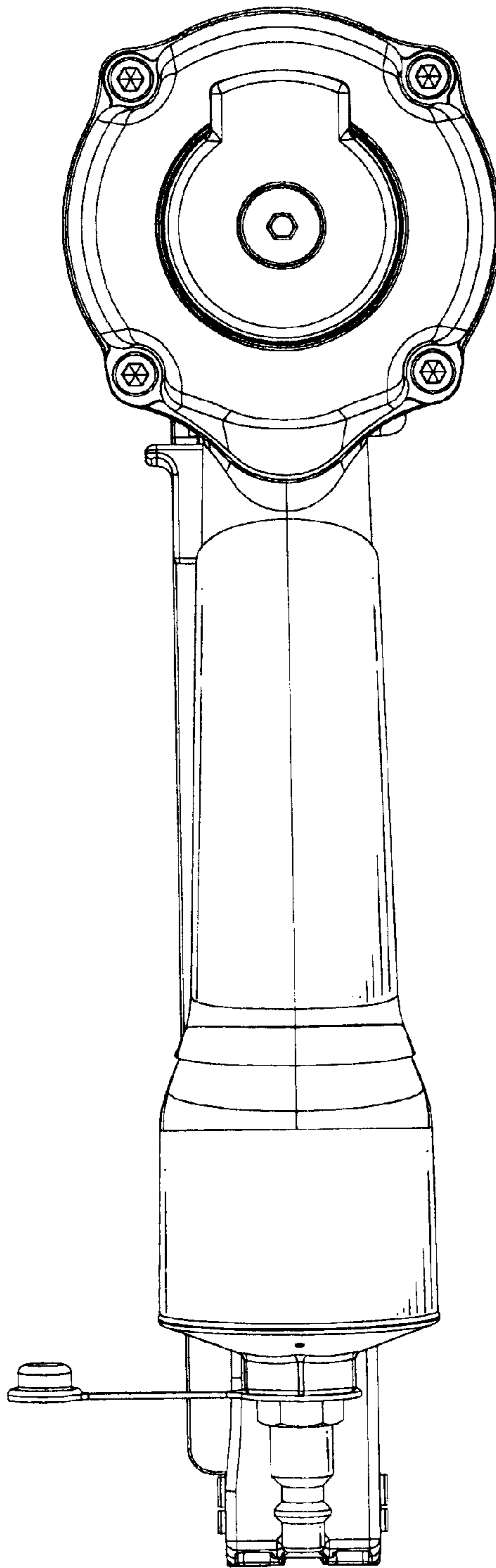


FIG. 5

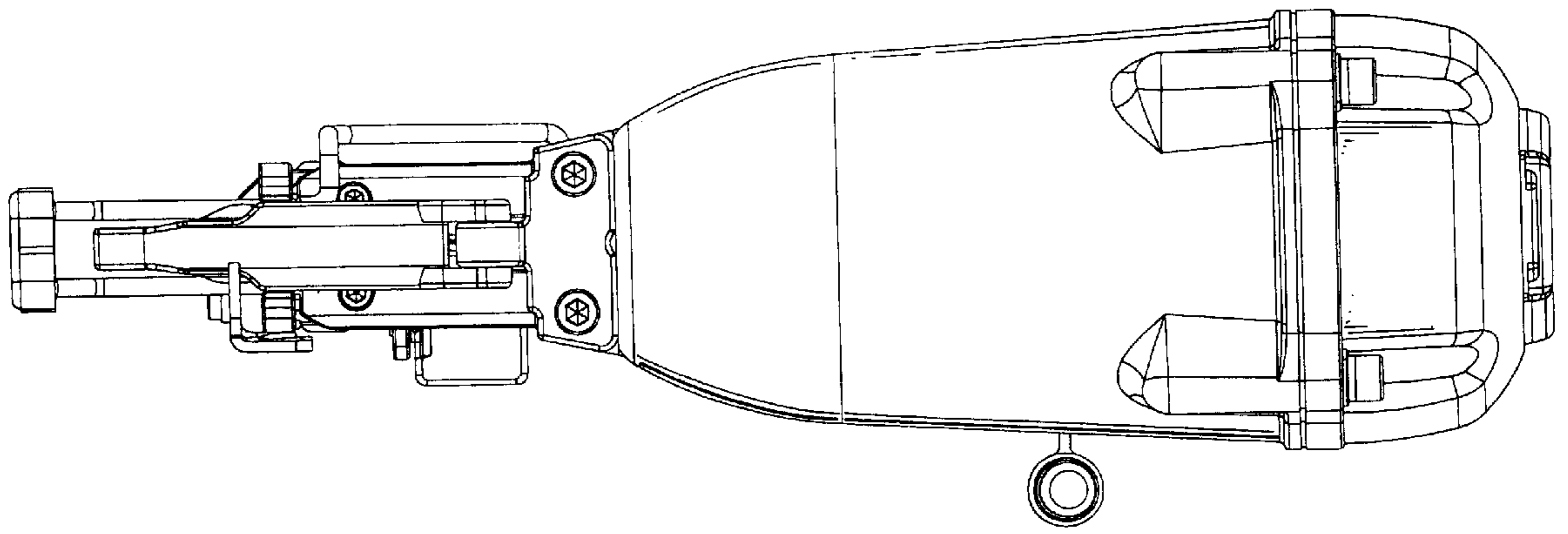


FIG. 6

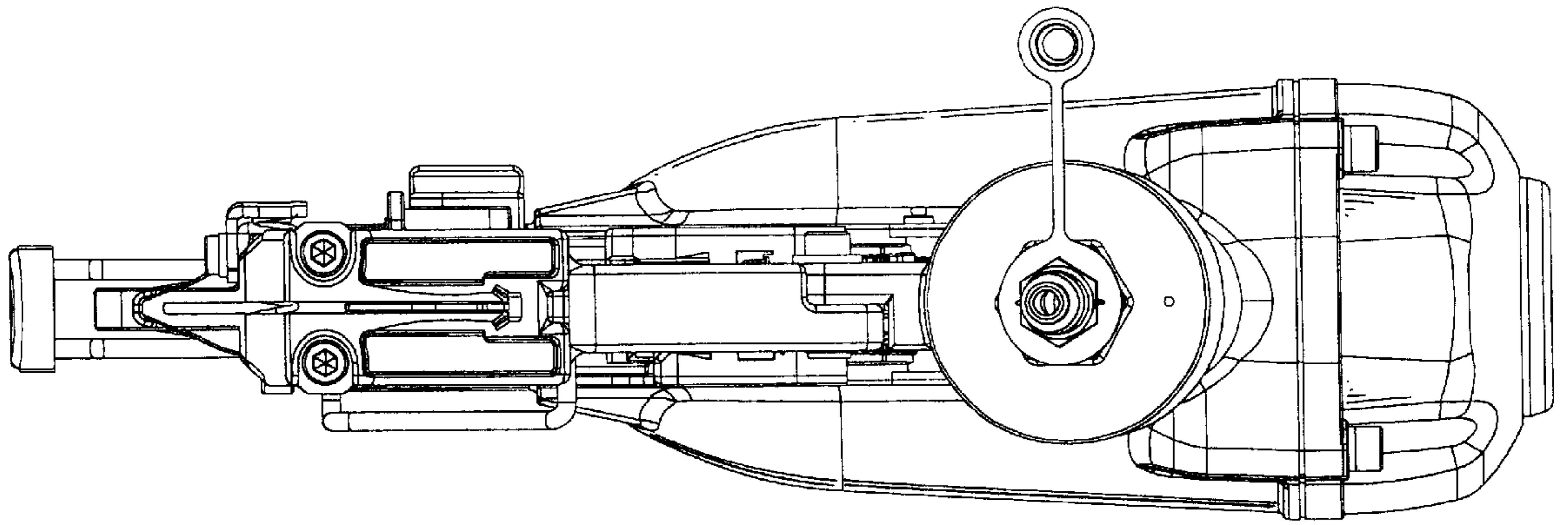


FIG. 7