



US00D477511S

(12) **United States Design Patent**  
**Izumisawa**

(10) **Patent No.: US D477,511 S**

(45) **Date of Patent: \*\* \*Jul. 22, 2003**

(54) **MICRO IMPACT WRENCH**

(76) Inventor: **Nobuyuki Izumisawa**, 1-29-14,  
Akatsuka, Itabashi-ku, Tokyo (JP)

(\* ) Notice: This patent is subject to a terminal disclaimer.

(\*\*) Term: **14 Years**

(21) Appl. No.: **29/152,837**

(22) Filed: **Dec. 28, 2001**

(51) **LOC (7) Cl. .... 08-05**

(52) **U.S. Cl. .... D8/68**

(58) **Field of Search** ..... D8/61, 62, 63,  
D8/64, 65, 66, 67, 68, 69, 70; 173/13, 169,  
178, 213, 217; 227/8, 114, 120, 130, 136,  
142; 310/50; 408/20, 124, 125, 234, 241 R;  
451/358; 81/57.11, 429, 464, 465, 466,  
469, 489

(56) **References Cited**

**U.S. PATENT DOCUMENTS**

D205,091 S	*	6/1966	Averitt	.....	D8/68
D218,086 S	*	7/1970	Rodstein	.....	D8/68
D280,883 S	*	10/1985	Sakamoto et al.	.....	D8/61
4,790,696 A	*	12/1988	Williams	.....	408/241 R
D325,858 S	*	5/1992	Saito et al.	.....	D8/61
D358,314 S		5/1995	Izumisawa	.....	D8/62
D364,544 S		11/1995	Izumisawa	.....	D8/62
D382,184 S	*	8/1997	Sung	.....	D8/61
D384,262 S	*	9/1997	Hayakawa et al.	.....	D8/68
D403,219 S	*	12/1998	Bosten et al.	.....	D8/68
D404,275 S	*	1/1999	Bunyea et al.	.....	D8/68
D410,830 S	*	6/1999	Pusateri et al.	.....	D8/61

D430,995 S	*	9/2000	Izumisawa	.....	D8/68
D441,628 S	*	5/2001	Bass et al.	.....	D8/68
D447,033 S	*	8/2001	Izumisawa	.....	D8/68

**OTHER PUBLICATIONS**

Wrenches, Sioux Professional Power Tools catalogue #871, p. 67.\*

\* cited by examiner

*Primary Examiner*—Robert M. Spear

*Assistant Examiner*—T. Chase Nelson

(74) *Attorney, Agent, or Firm*—Greer, Burns & Crain, Ltd.

(57) **CLAIM**

The ornamental design for a micro impact wrench, as shown and described.

**DESCRIPTION**

FIG. 1 is a perspective view of the micro impact wrench showing my new design;

FIG. 2 is a left side view of the micro impact wrench of FIG. 1;

FIG. 3 is a front view of the micro impact wrench of FIG. 1;

FIG. 4 is a right side view of the micro impact wrench of FIG. 1;

FIG. 5 is a rear view of the micro impact wrench of FIG. 1;

FIG. 6 is a top view of the micro impact wrench of FIG. 1; and,

FIG. 7 is a bottom view of the micro impact wrench of FIG. 1.

The broken line shown in FIGS. 1-7 is for illustrative purposes only and forms no part of the claimed design.

**1 Claim, 4 Drawing Sheets**

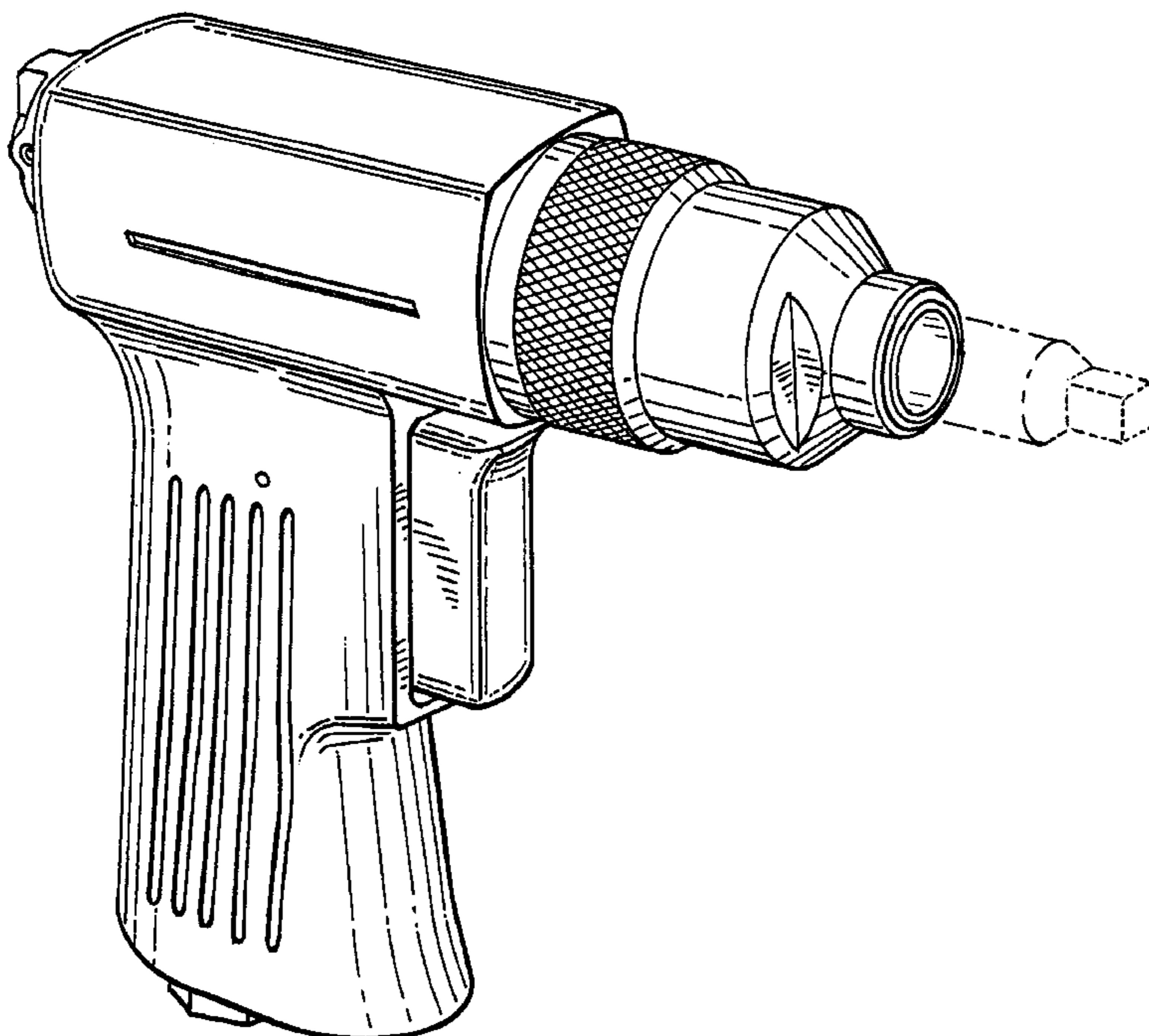


FIG. 1

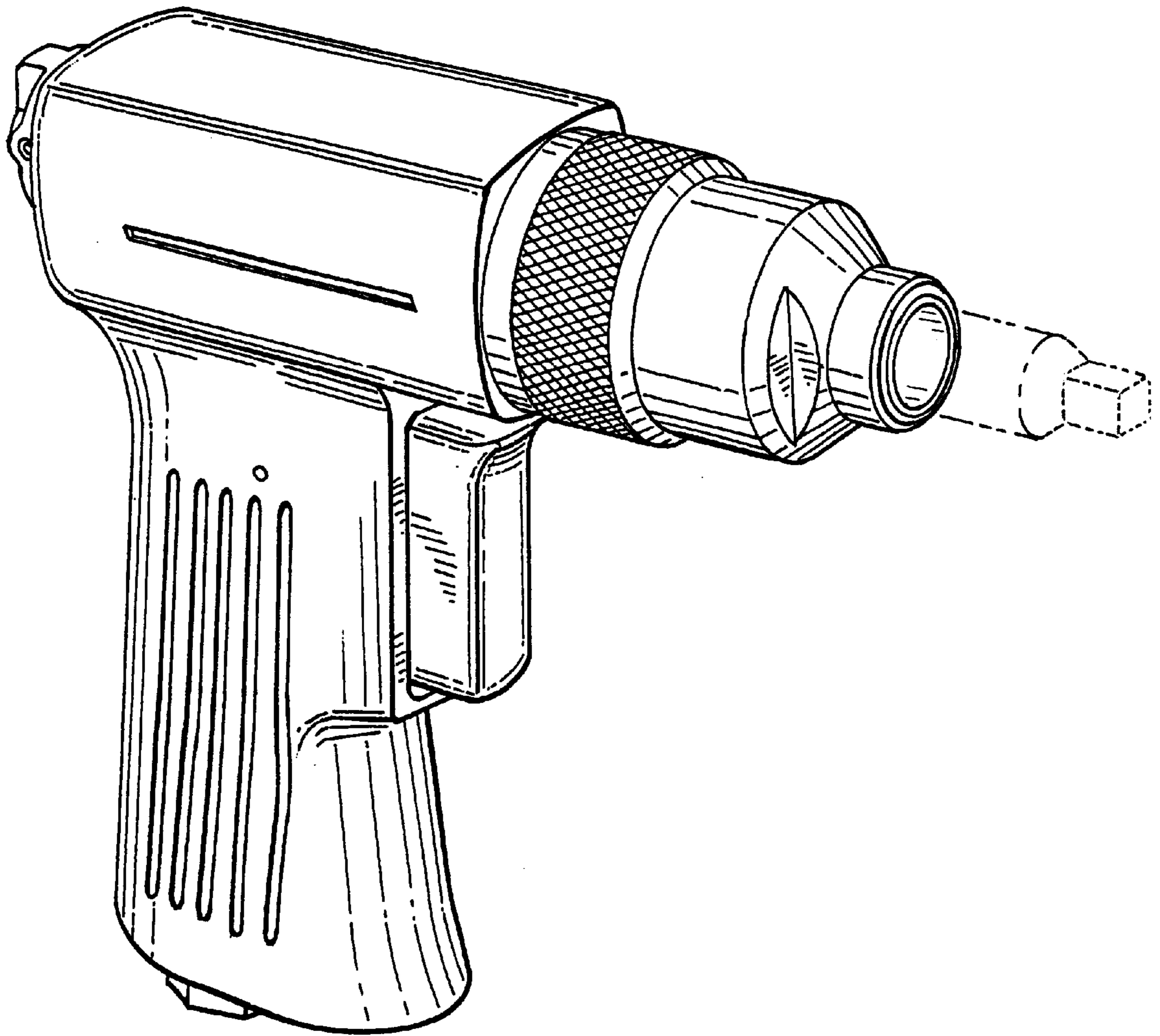


FIG. 3

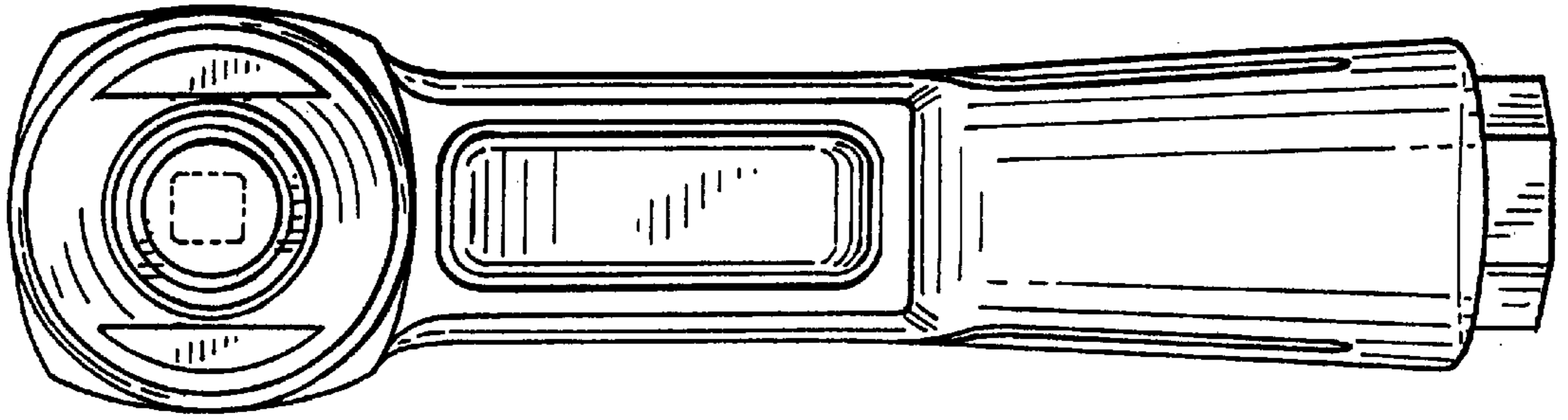


FIG. 2

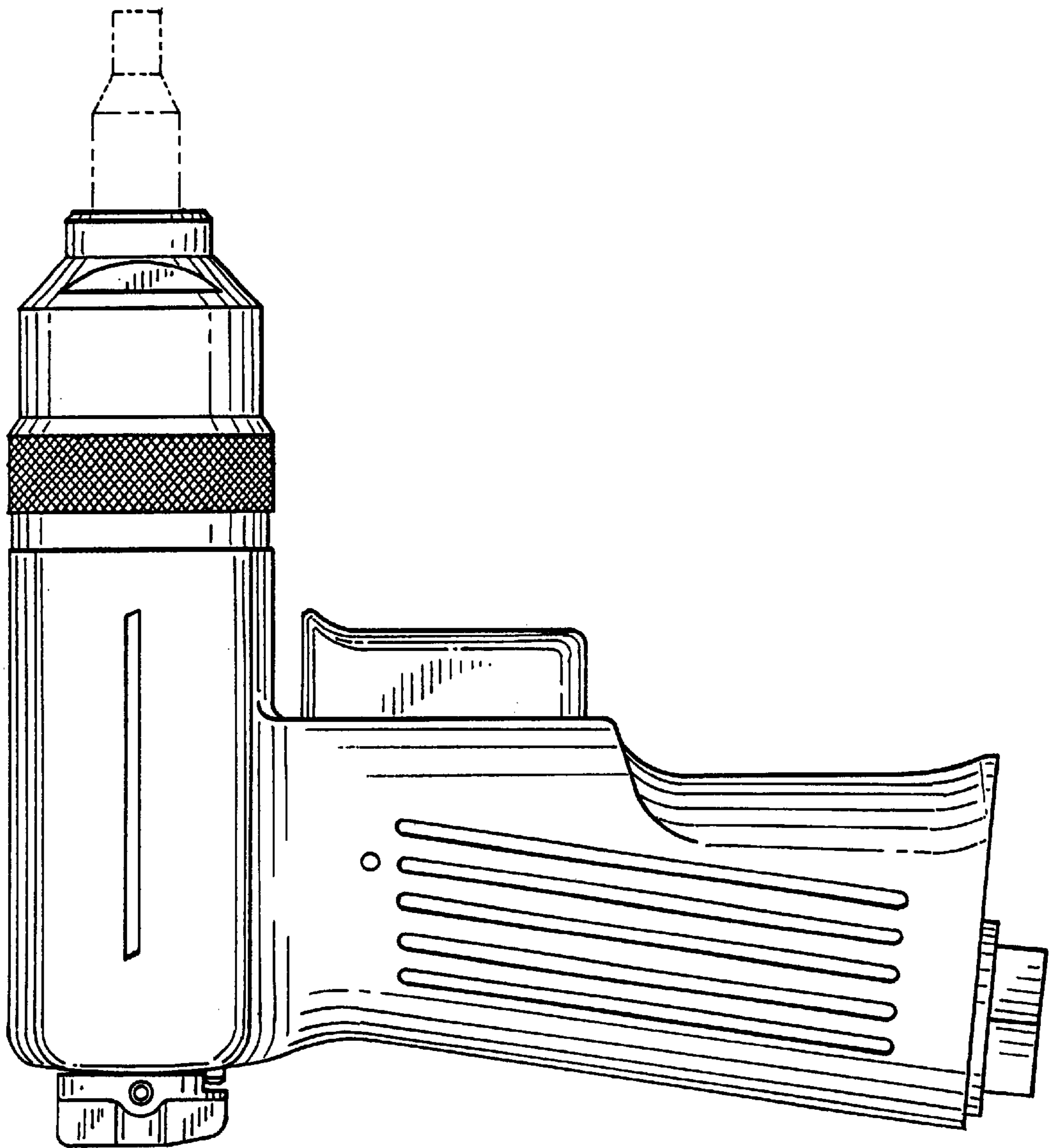


FIG.5

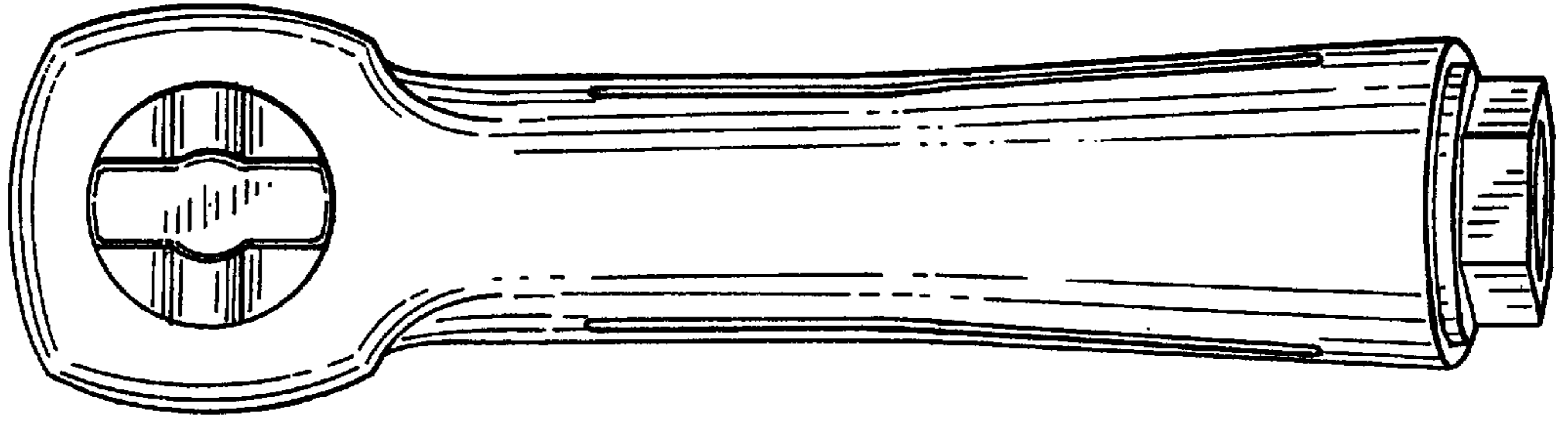


FIG.4

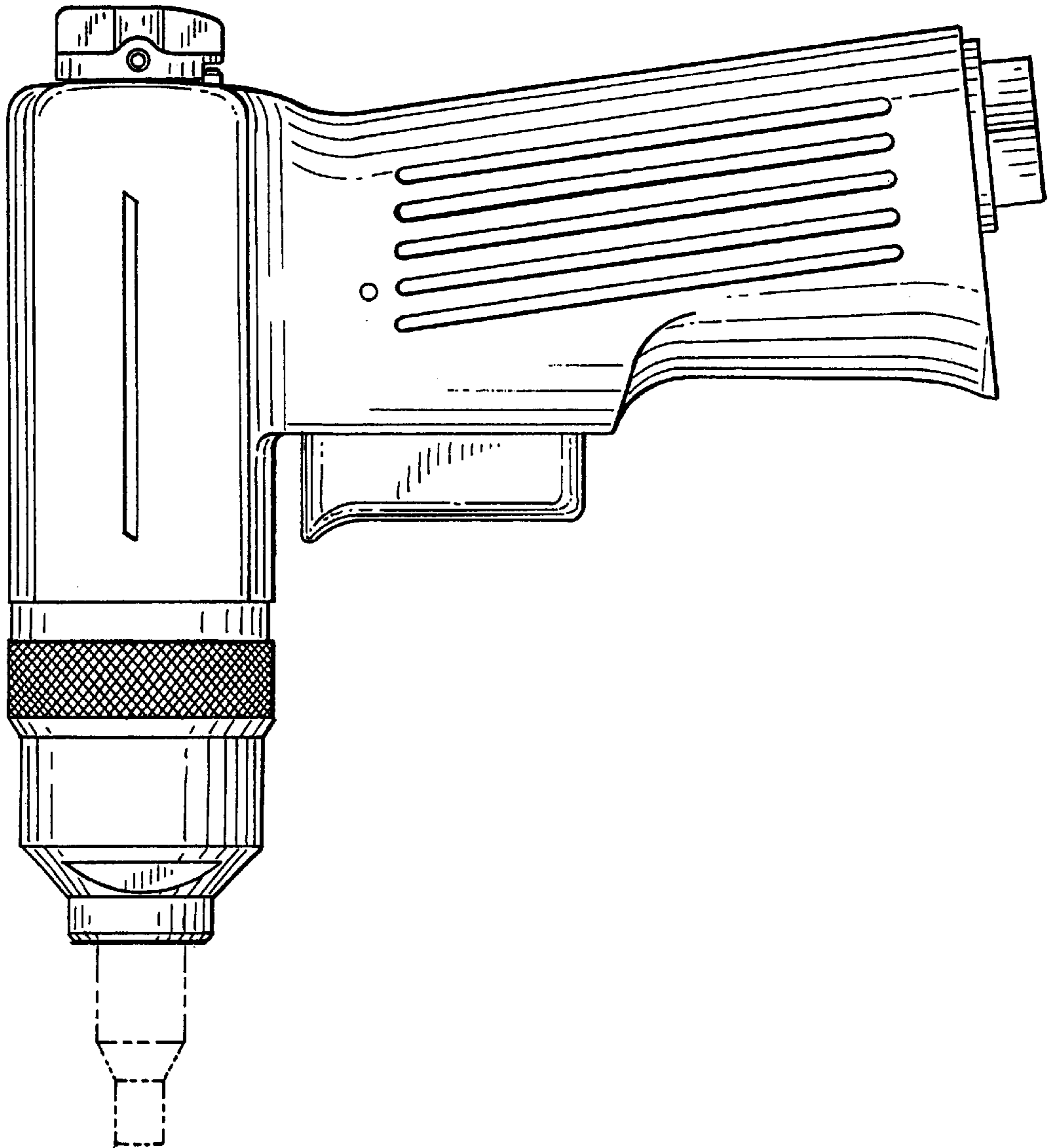




FIG. 6

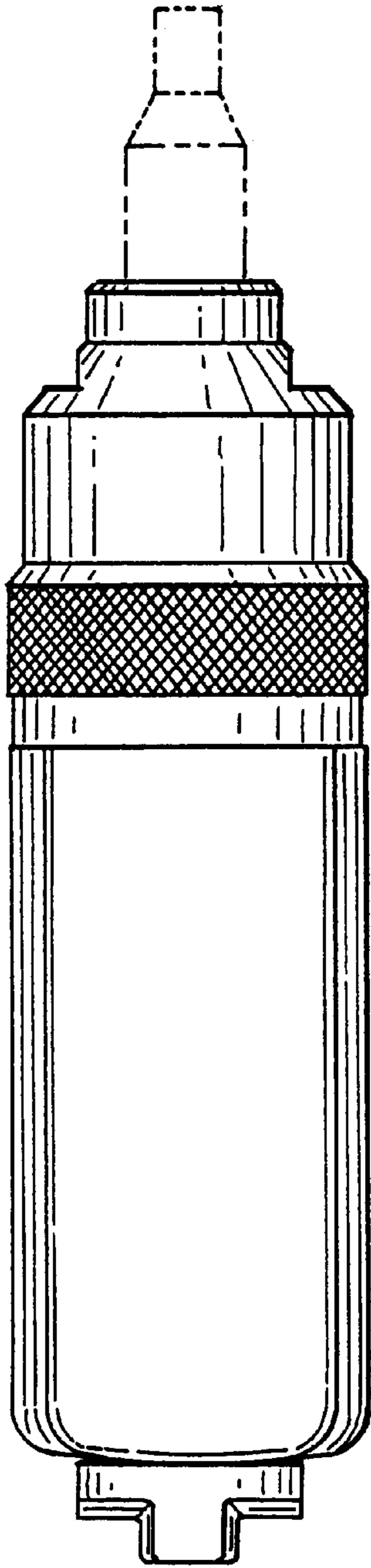


FIG. 7

