



US00D477510S

(12) **United States Design Patent**
Duennes

(10) **Patent No.:** **US D477,510 S**

(45) **Date of Patent:** **** Jul. 22, 2003**

(54) **ELECTRIC POWERED ROTARY HAND TOOL**

D469,671 S * 2/2003 Prell et al. D8/61

OTHER PUBLICATIONS

(75) **Inventor:** **Mark D. Duennes**, Glenview, IL (US)

Catalog: Dremel ® Tools for the Imagination ®, Rev. 4, Dremel, Racine Wisconsin, Nov 1999.

(73) **Assignee:** **S-B Power Tool Corporation**, Chicago, IL (US)

* cited by examiner

(**) **Term:** **14 Years**

Primary Examiner—Doris V. Coles

Assistant Examiner—Elizabeth A. Albert

(21) **Appl. No.:** **29/166,467**

(74) *Attorney, Agent, or Firm*—Victor A. Henzi

(22) **Filed:** **Aug. 28, 2002**

(57) **CLAIM**

(51) **LOC (7) Cl.** **08-03**

The ornamental design for an electric powered rotary hand tool, as shown and described.

(52) **U.S. Cl.** **D8/61**

(58) **Field of Search** D8/61, 62, 64;
81/54, 57.11, 57.13, 57.14, 57.42; 173/168,
169, 170, 182, 213, 217; 310/47, 50; 409/180,
181, 182

DESCRIPTION

(56) **References Cited**

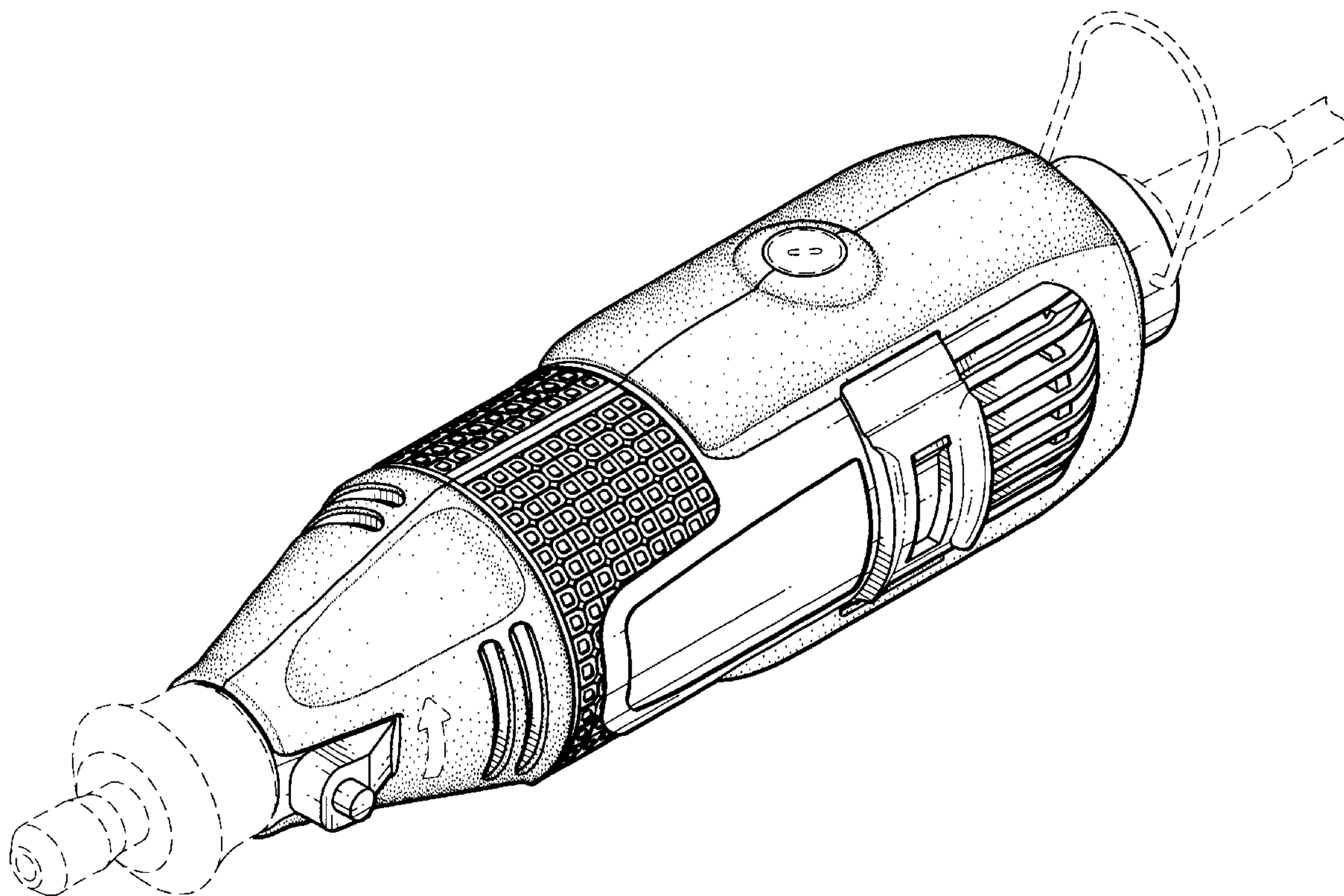
U.S. PATENT DOCUMENTS

D325,502 S	*	4/1992	Rahm et al.	D8/61
5,298,821 A	*	3/1994	Michel	310/50
D378,727 S	*	4/1997	Kikuchi	D8/61
D427,038 S	*	6/2000	Lin	D8/61
D427,870 S	*	7/2000	Heun	D8/61
D446,431 S	*	8/2001	Lui	D8/61
6,380,502 B1	*	4/2002	Hirschburger et al.	200/548
D459,176 S		6/2002	Duennes		

FIG. 1 is a right front perspective view of the present new design for an electric powered rotary hand tool;
FIG. 2 is a right side view thereof;
FIG. 3 is a left side view thereof;
FIG. 4 is a top plan view thereof;
FIG. 5 is a bottom plan view thereof;
FIG. 6 is a front view thereof; and,
FIG. 7 is a rear elevational view thereof.

The broken lines showing the cord, the hanger and the chuck and other shapes are for illustrative purposes only and form no part of the claimed design.

1 Claim, 6 Drawing Sheets



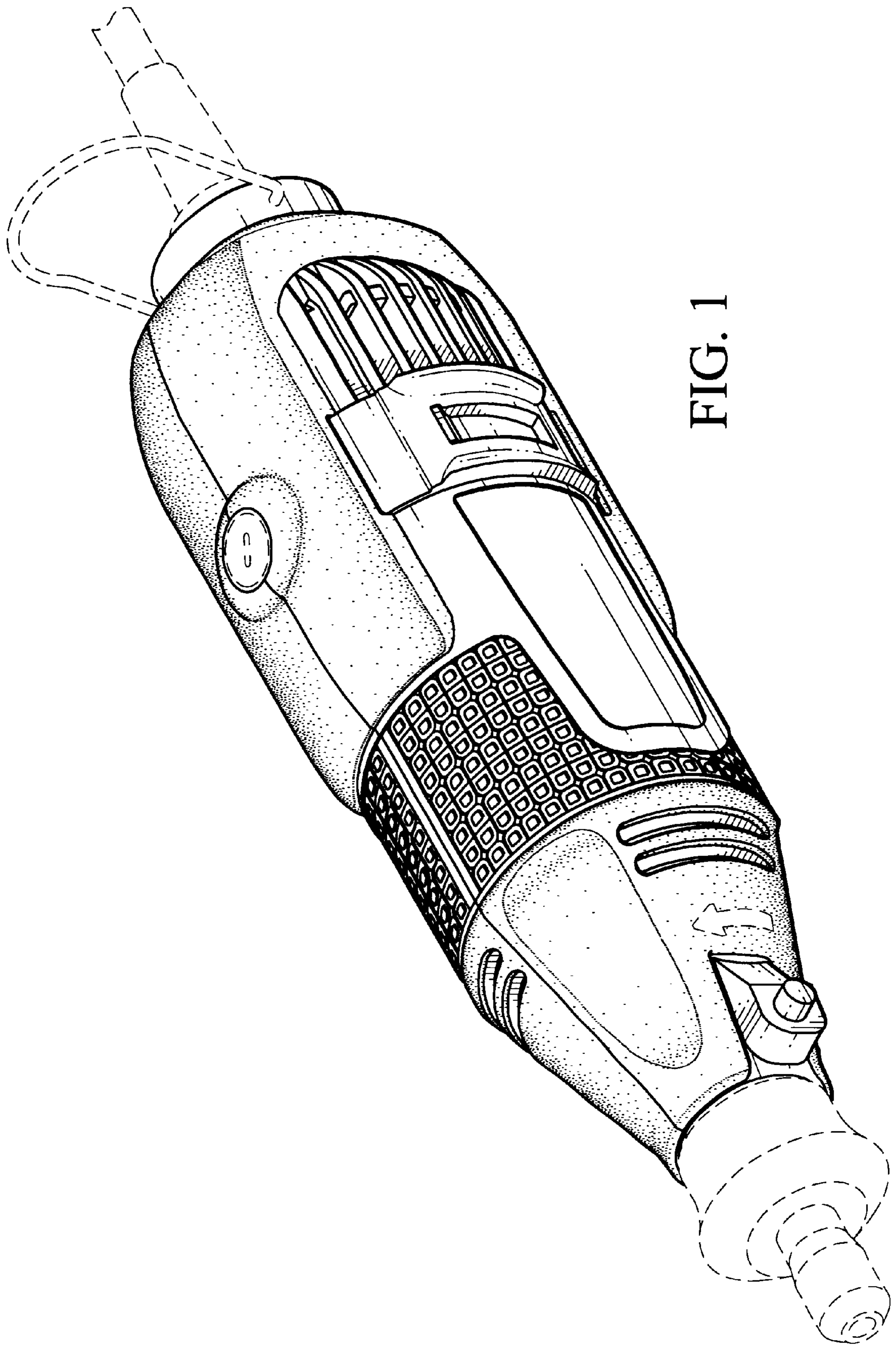


FIG. 1

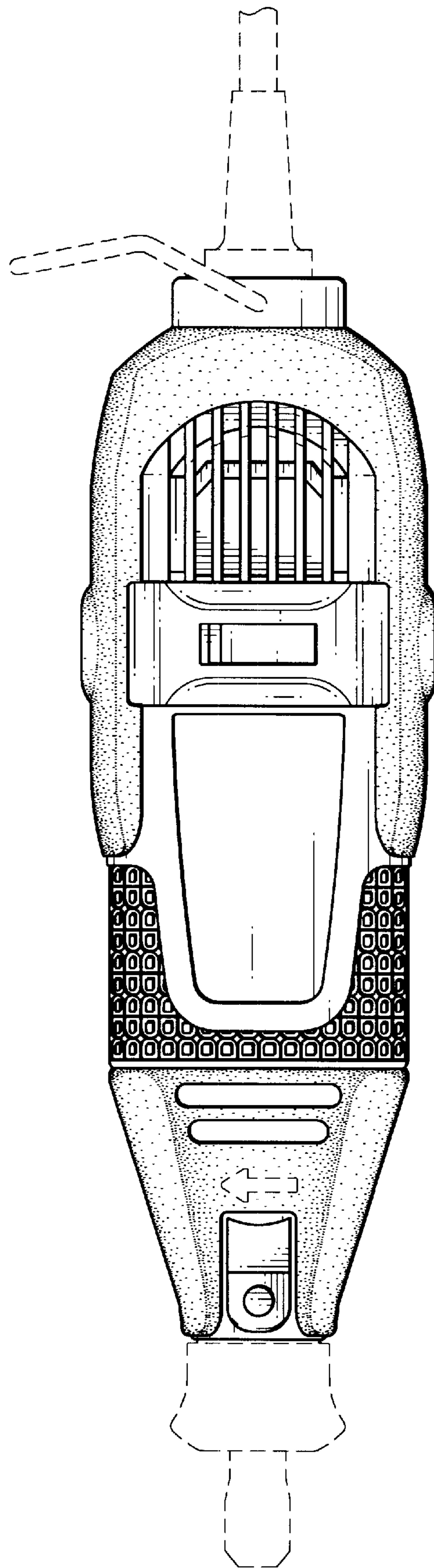


FIG. 2

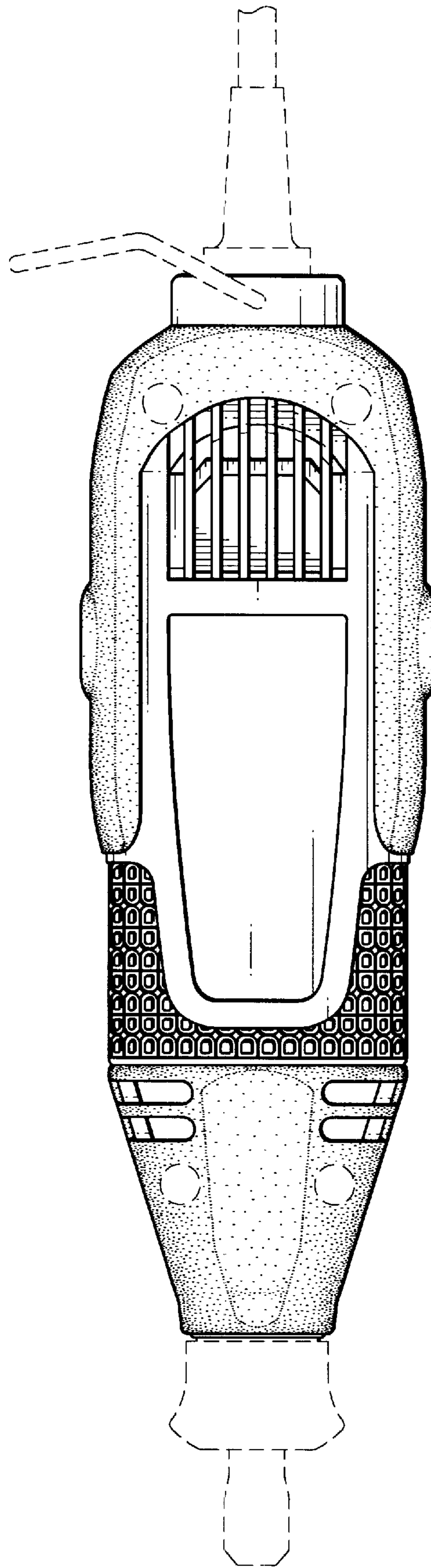


FIG. 3

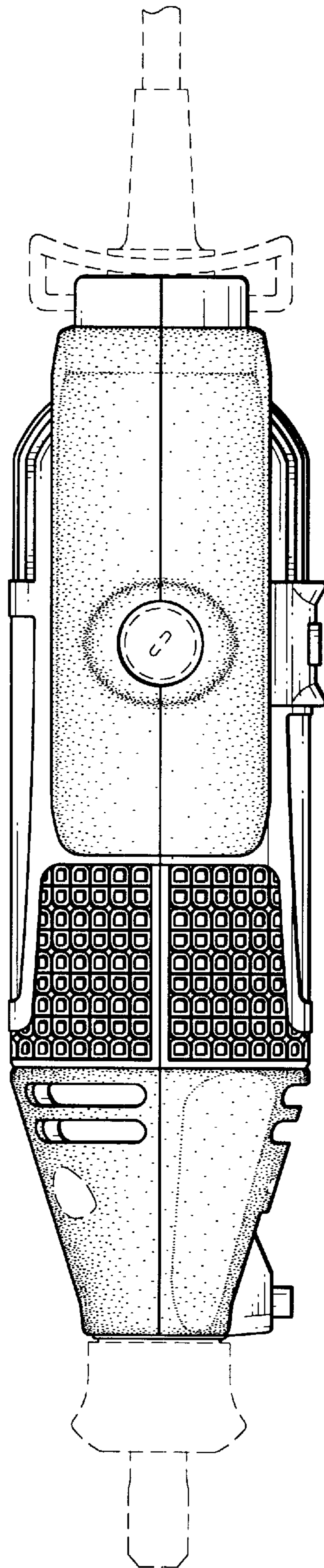


FIG. 4

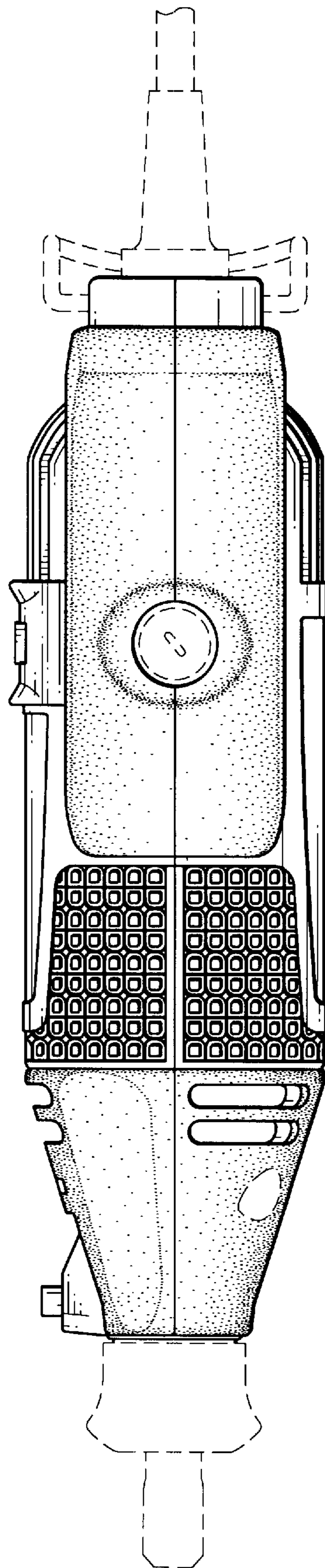


FIG. 5

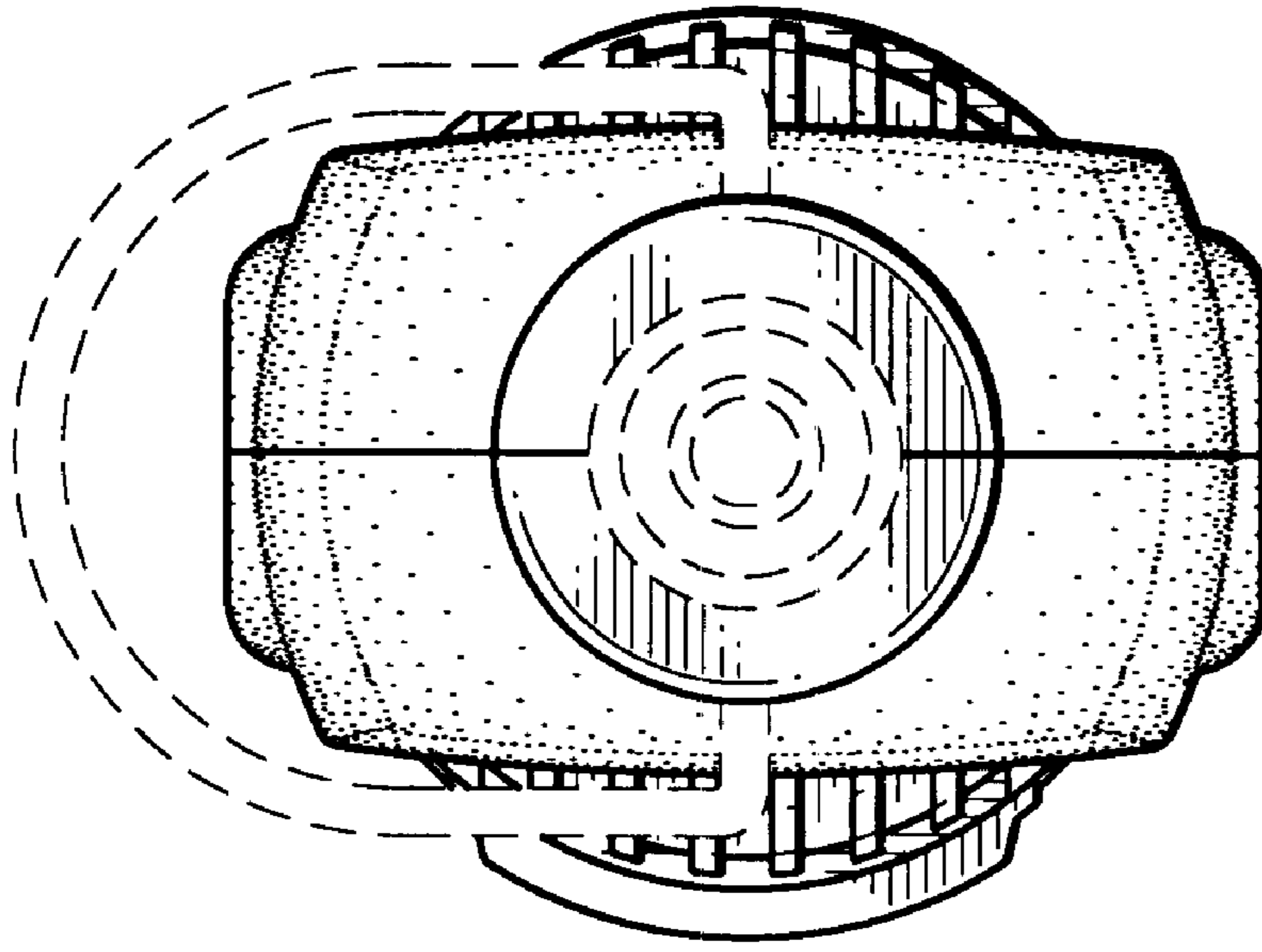


FIG. 6

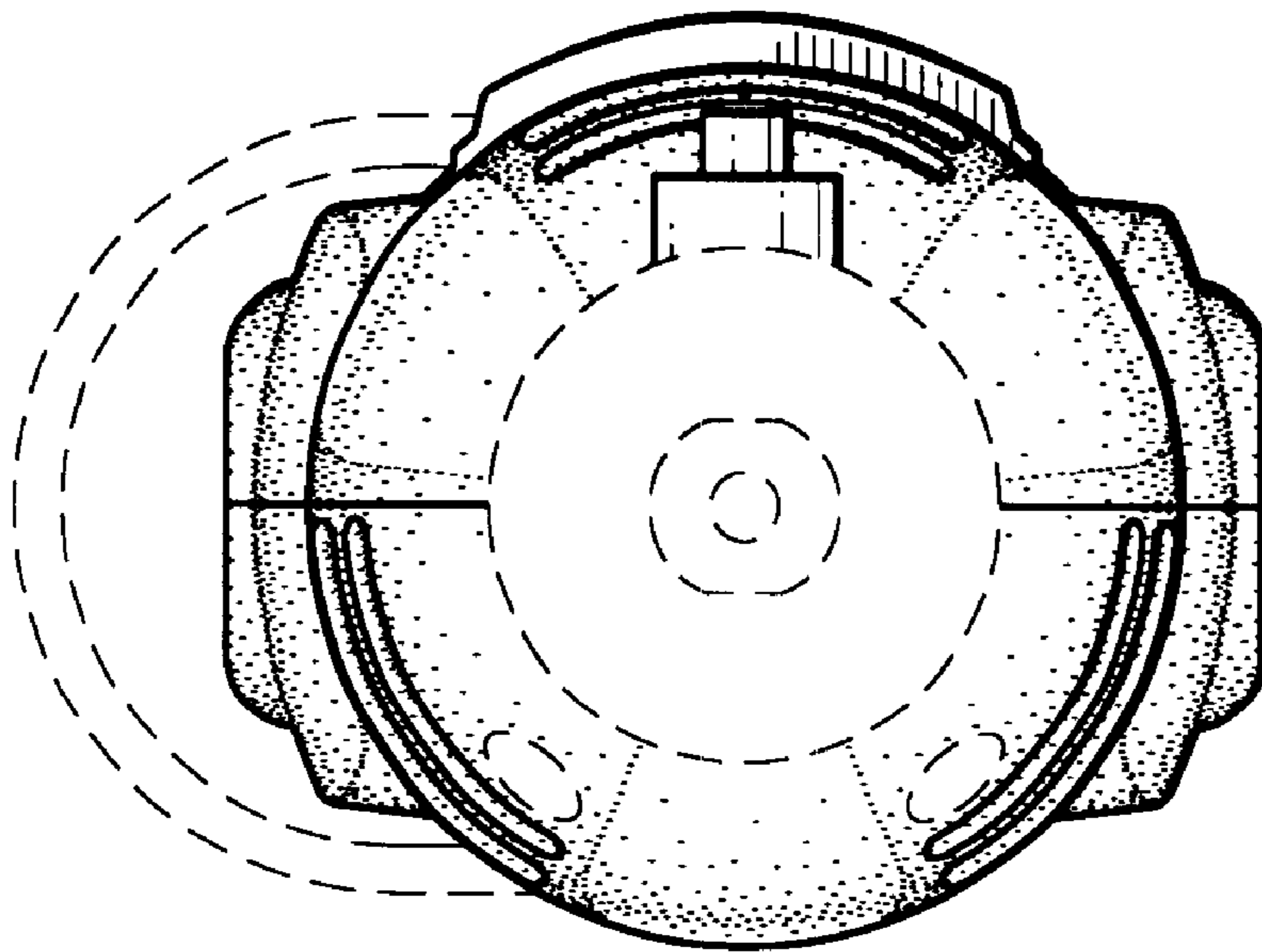


FIG. 7