



US00D477509S

(12) **United States Design Patent**
Allen et al.

(10) **Patent No.:** **US D477,509 S**
(45) **Date of Patent:** **** Jul. 22, 2003**

(54) **MULTI-PURPOSE PLIERS**

(75) Inventors: **David S. Allen**, New Hartford, NY
(US); **Paul Clifford**, Cold Brook, NY
(US)

(73) Assignee: **Utica Cutlery Company**, Utica, NY
(US)

(**) Term: **14 Years**

(21) Appl. No.: **29/169,205**

(22) Filed: **Oct. 15, 2002**

(51) **LOC (7) Cl.** **08-05**

(52) **U.S. Cl.** **D8/55; D8/105**

(58) **Field of Search** D8/4, 52, 54, 55,
D8/56, 58, 105, 107; 81/3.6, 300, 315-317,
329, 342, 385, 415-427.5; 7/125, 127,
128, 118-120, 168

(56) **References Cited**

U.S. PATENT DOCUMENTS

- 4,744,272 A * 5/1988 Leatherman 81/427.5
- 5,212,844 A * 5/1993 Sessions et al. 7/128
- D338,386 S * 8/1993 Frazer D8/105
- 5,267,366 A * 12/1993 Frazer 7/128
- D371,498 S * 7/1996 Lai D8/105

- D384,872 S * 10/1997 Yeh D8/105
- D410,833 S * 6/1999 Hasegawa D8/105
- D434,632 S * 12/2000 Tseng D8/105
- D455,629 S * 4/2002 Ping D8/105

* cited by examiner

Primary Examiner—Clare E. Heflin

(74) *Attorney, Agent, or Firm*—George R. McGuire;
Hancock & Estabrook, LLP

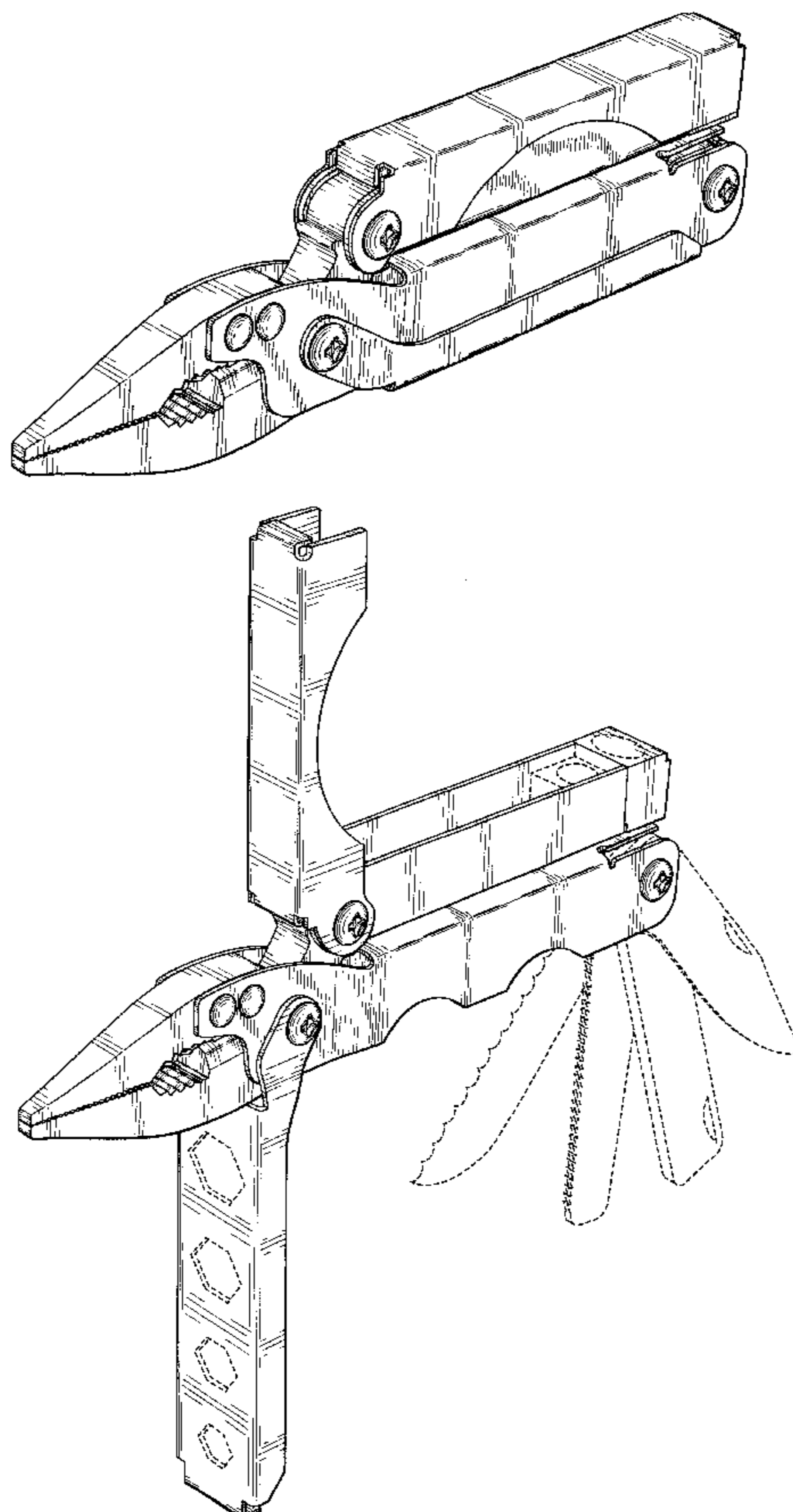
(57) **CLAIM**

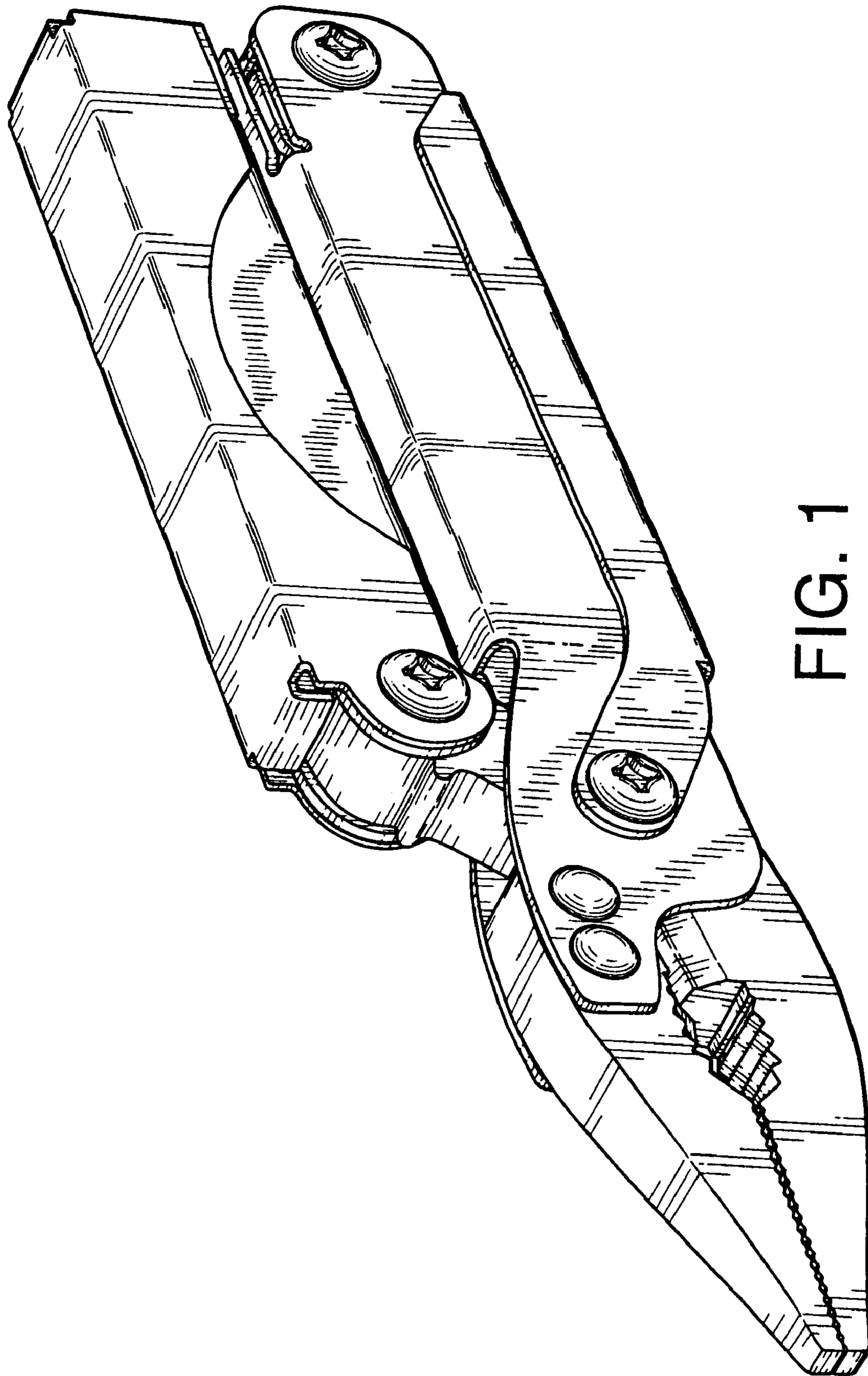
The ornamental design for multi-purpose pliers, as shown and described.

DESCRIPTION

FIG. 1 is a perspective view of new and ornamental multi-purpose pliers;
 FIG. 2 is a right side elevation view thereof;
 FIG. 3 is a left side elevation view thereof;
 FIG. 4 is a top plan view thereof;
 FIG. 5 is a bottom plan view thereof;
 FIG. 6 is a rear elevation view thereof;
 FIG. 7 is a front elevation view thereof; and,
 FIG. 8 is perspective view of the pliers with its handles in their open position and with its multi-purpose tools being shown in phantom for illustrative purposes only and forming no part of the claimed invention.

1 Claim, 6 Drawing Sheets





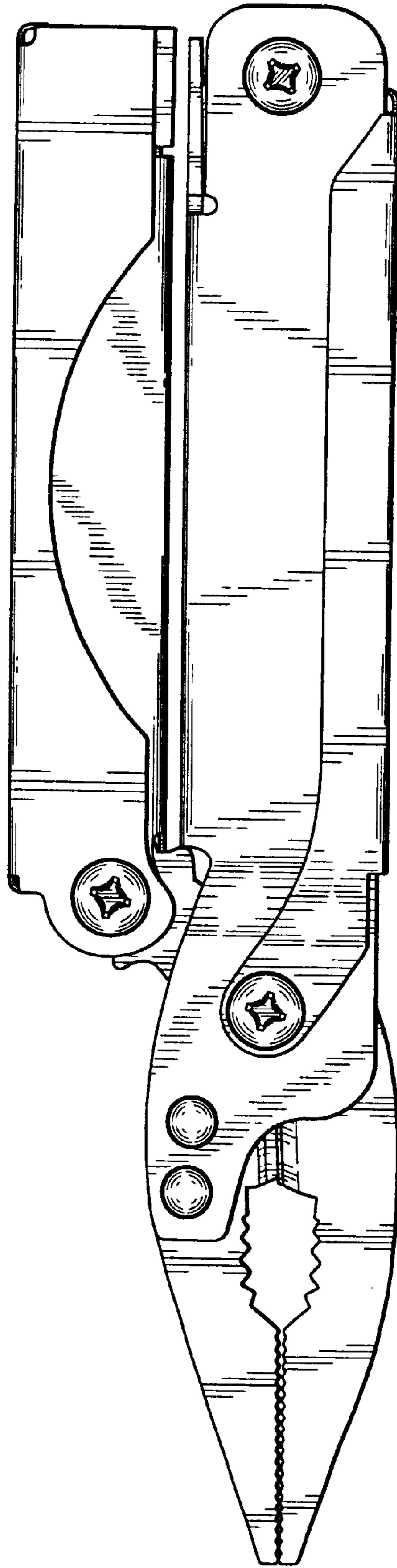


FIG. 2

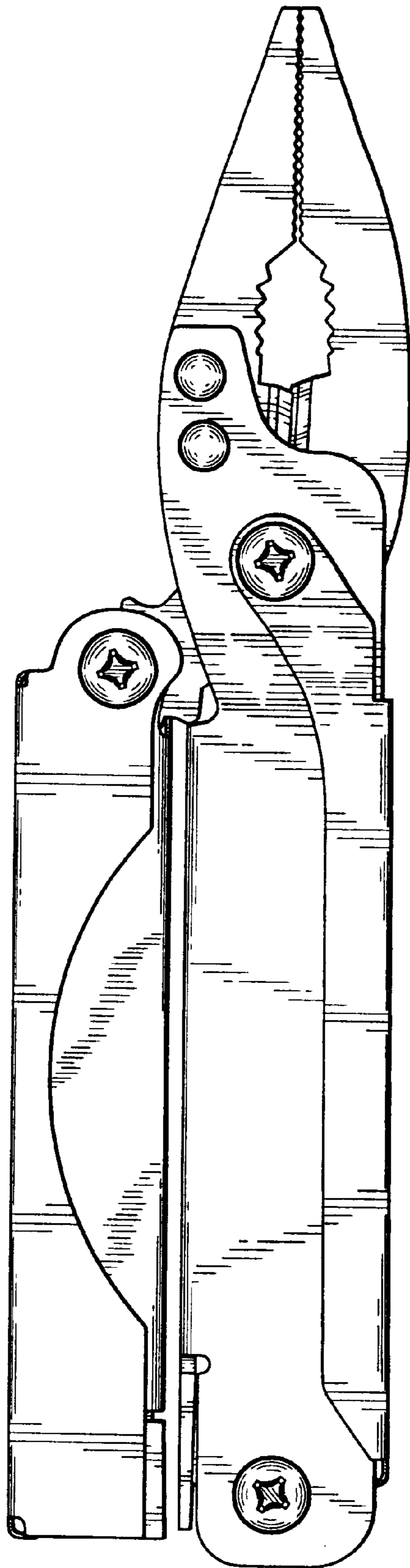


FIG. 3

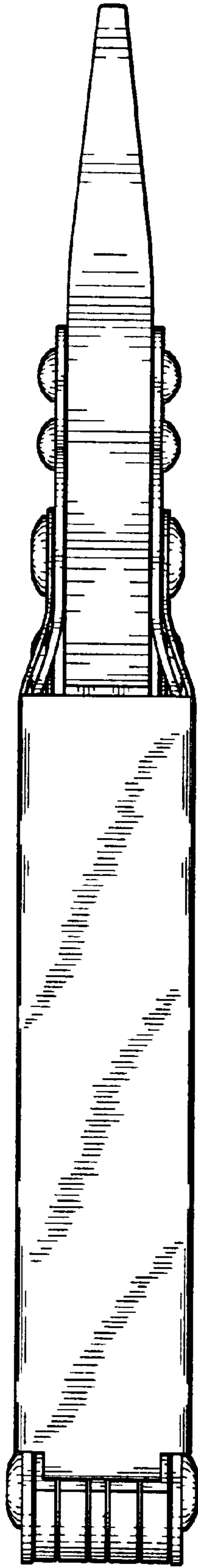


FIG. 4

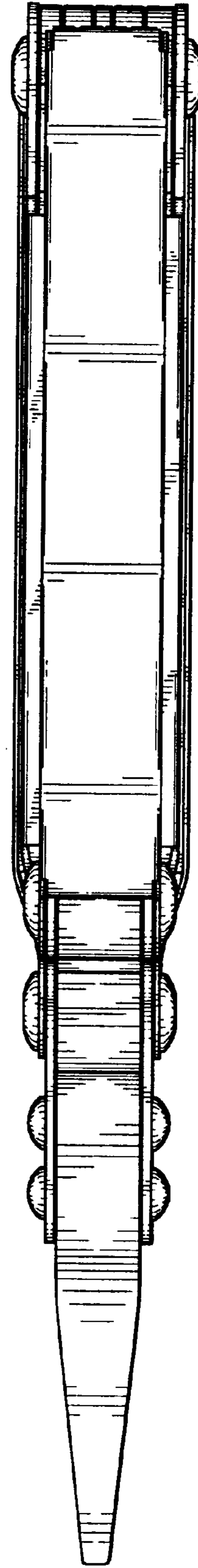


FIG. 5

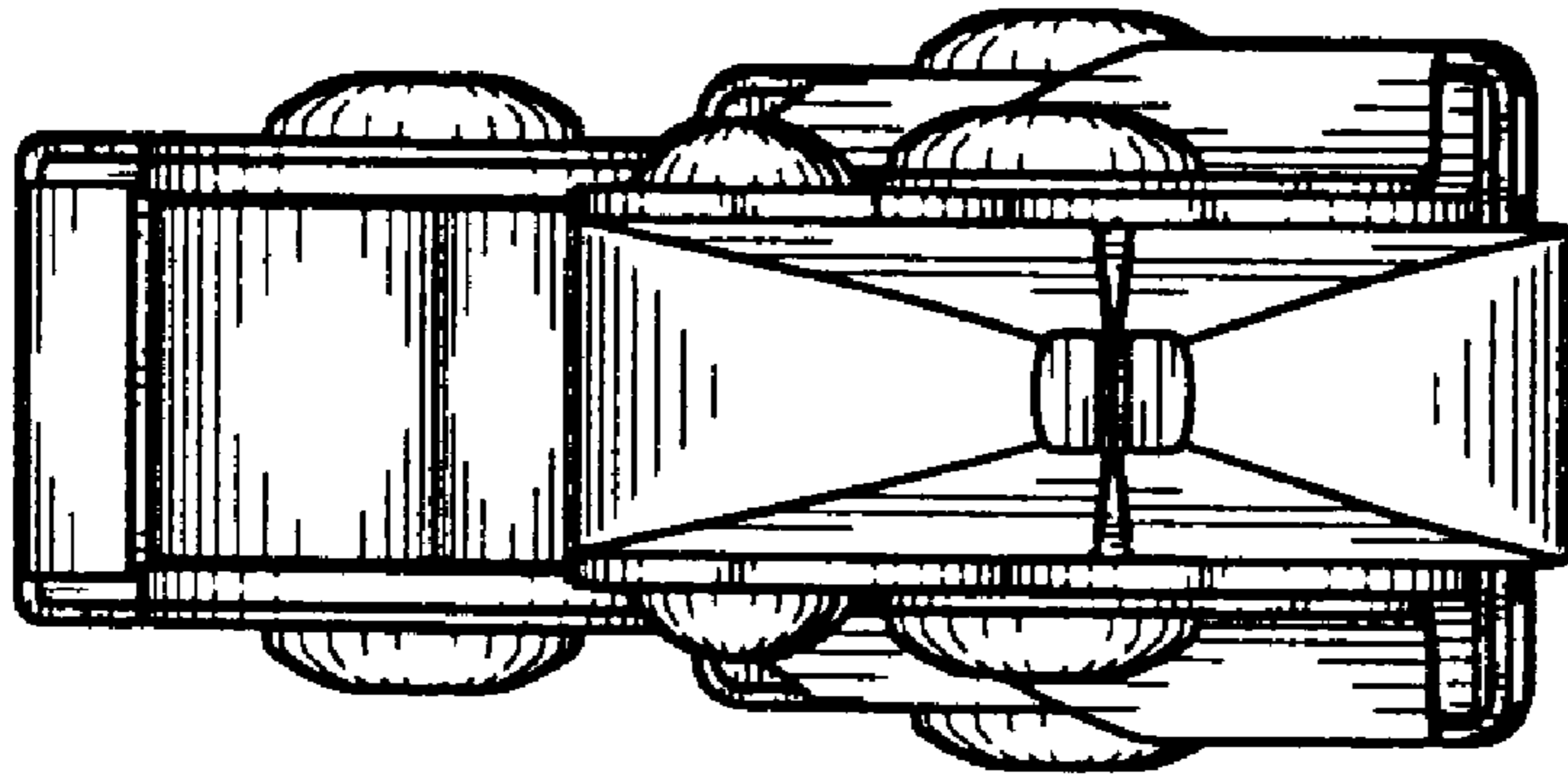


FIG. 7

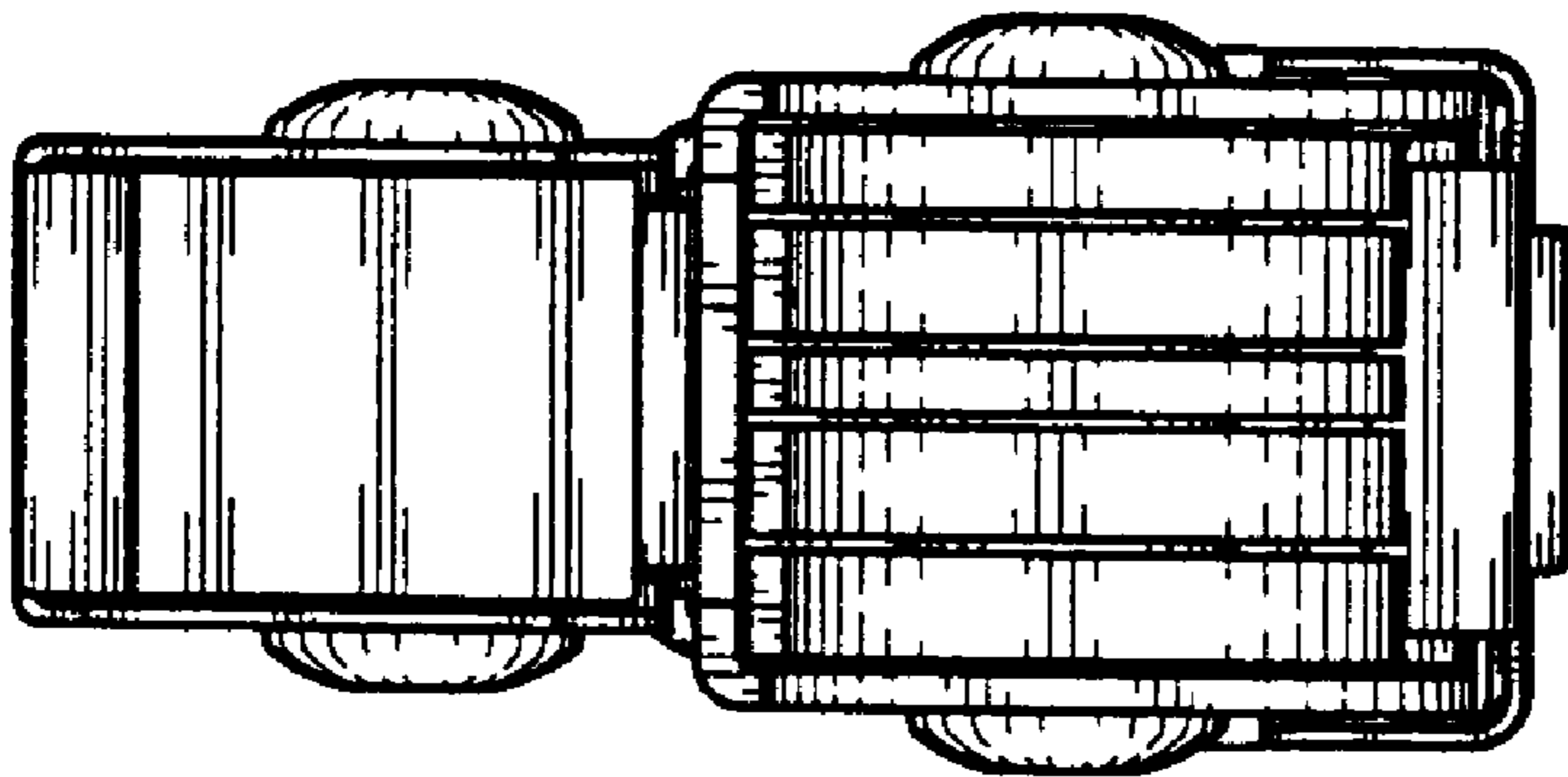


FIG. 6

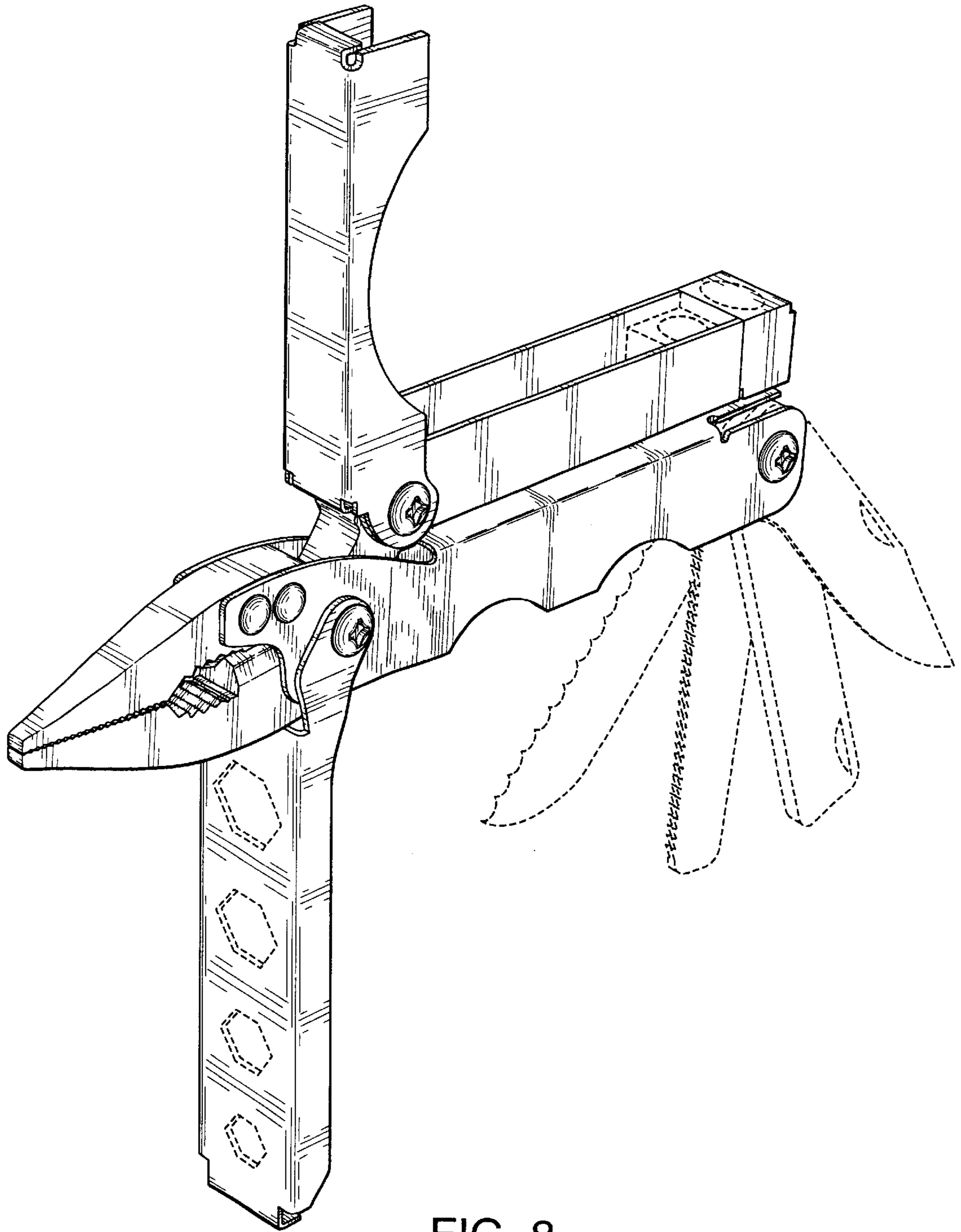


FIG. 8